

US00D861505S

(12) **United States Design Patent** (10) **Patent No.:** **US D861,505 S**  
**Nashimoto** (45) **Date of Patent:** **\*\* Oct. 1, 2019**

(54) **WRIST WATCH**

(71) Applicant: **Swarovski Aktiengesellschaft, Triesen**  
(LI)

(72) Inventor: **Mahito Nashimoto, Paris (FR)**

(73) Assignee: **SWAROVSKI**  
**AKTIENGESELLSCHAFT, Triesen**  
(LI)

(\*\*) Term: **15 Years**

(21) Appl. No.: **29/643,986**

(22) Filed: **Apr. 13, 2018**

(30) **Foreign Application Priority Data**

Oct. 26, 2017 (LI) ..... 2017-943

(51) **LOC (12) Cl.** ..... **10-02**

(52) **U.S. Cl.**  
USPC ..... **D10/32**

(58) **Field of Classification Search**  
USPC ..... D10/30-34, 36-39, 122-128, 132;  
D11/3, 12, 16-18, 40, 80, 89-92, 94;  
D14/485-487, 490, 492; D24/167, 186  
CPC ..... G04B 19/00; G04B 19/06; G04B 19/065;  
G04B 19/08; G04B 19/082; G04B 19/10;  
G04B 19/103; G04B 19/12; G04B 47/00;  
G04B 47/042; G04B 47/06; G04B 47/04;  
G04B 47/063; G04B 19/223; G04B  
19/22; G04B 19/283; G04B 37/00; G04B  
37/0008; G04B 37/12; G04B 37/1486;  
G04B 37/0058; G04B 45/00; G04B  
45/0038; G04B 45/0069; G04B 45/0076;  
A44C 5/00; A44C 5/0053; G04F 3/04817;  
G04F 3/04886; H04N 5/443; H04N  
5/445; G04G 9/00; G04G 9/082; G04G  
9/088; G04G 9/094; G04G 9/02; G04G  
9/04; G04G 9/06

See application file for complete search history.

(56) **References Cited**

U.S. PATENT DOCUMENTS

D108,895 S *	3/1938	Sand .....	D11/17
D130,084 S *	10/1941	Philippe .....	D11/16
3,738,100 A *	6/1973	Hassman .....	G04B 37/1486 368/282
D267,860 S *	2/1983	Kabaya .....	D10/32
D371,745 S *	7/1996	Wunderman .....	D10/32
D382,494 S *	8/1997	Wunderman .....	D10/30
D382,827 S *	8/1997	Woo .....	D11/3
D401,864 S *	12/1998	Navera .....	D10/32
D508,654 S *	8/2005	Tada .....	D10/32
D509,759 S *	9/2005	Scheufele .....	D10/39
D512,654 S *	12/2005	Scheufele .....	D10/39
D513,389 S *	1/2006	Vigneron .....	D10/32
D521,406 S *	5/2006	Strasser .....	D10/32
D546,715 S *	7/2007	Gruosi-Scheufele .....	D10/39
D569,278 S *	5/2008	Rabassa .....	D10/39

(Continued)

*Primary Examiner* — Sandra S Snapp

*Assistant Examiner* — Katherine Glennon

(74) *Attorney, Agent, or Firm* — Baker & McKenzie LLP

(57) **CLAIM**

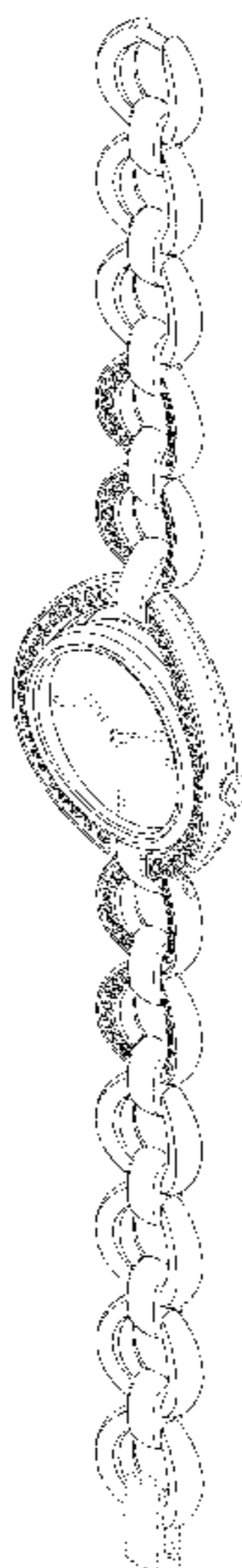
The ornamental design for a wrist watch, as shown and described.

**DESCRIPTION**

FIG. 1 is a perspective view showing my new design;  
FIG. 2 is a top view thereof;  
FIG. 3 is a bottom view thereof;  
FIG. 4 is a left elevational view thereof;  
FIG. 5 is a right elevational view thereof;  
FIG. 6 is a front elevational view thereof; and,  
FIG. 7 is a back elevational view thereof.

The broken-line disclosure of elements is understood to represent portions of the article in which the design is embodied, but which form no part of the claimed design.

**1 Claim, 7 Drawing Sheets**



(56)

**References Cited**

## U.S. PATENT DOCUMENTS

D575,167 S \* 8/2008 Giannini ..... D10/32  
D592,978 S \* 5/2009 Bulgari ..... D10/32  
7,559,688 B2 \* 7/2009 Robert-Nicoud .... G04B 19/283  
368/294  
D613,622 S \* 4/2010 Chastaingt ..... D10/39  
D627,240 S \* 11/2010 Strasser ..... D10/30  
D631,374 S \* 1/2011 Hegi ..... D10/38  
8,411,533 B2 \* 4/2013 Mieville ..... G04B 21/08  
368/244  
D717,180 S \* 11/2014 Giannini ..... D10/32  
D737,692 S \* 9/2015 Yoshida ..... D10/32  
D759,505 S \* 6/2016 Harada ..... D10/32  
D765,533 S \* 9/2016 Gueit ..... D10/128  
D769,738 S \* 10/2016 Dominguez ..... D10/30  
D775,535 S \* 1/2017 Handa ..... D10/32  
D781,171 S \* 3/2017 Akana ..... D11/3  
D793,876 S \* 8/2017 Lasserre ..... D10/38  
D811,921 S \* 3/2018 Rabassa ..... D10/132  
D813,689 S \* 3/2018 Yoshida ..... D10/30

\* cited by examiner

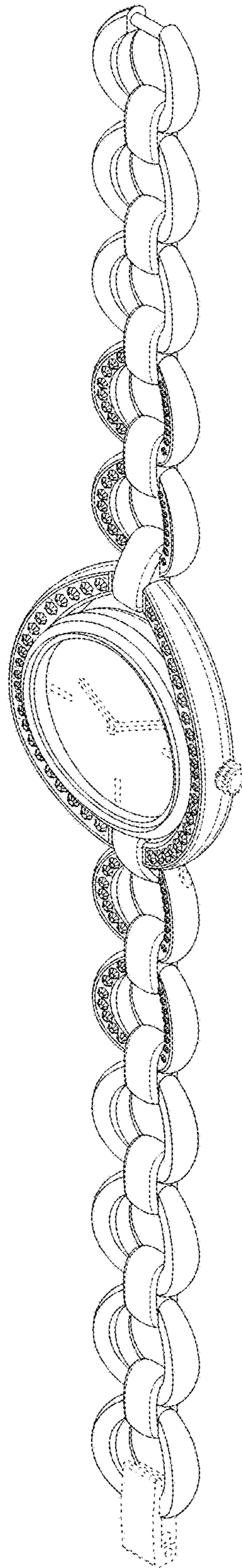


FIG. 1

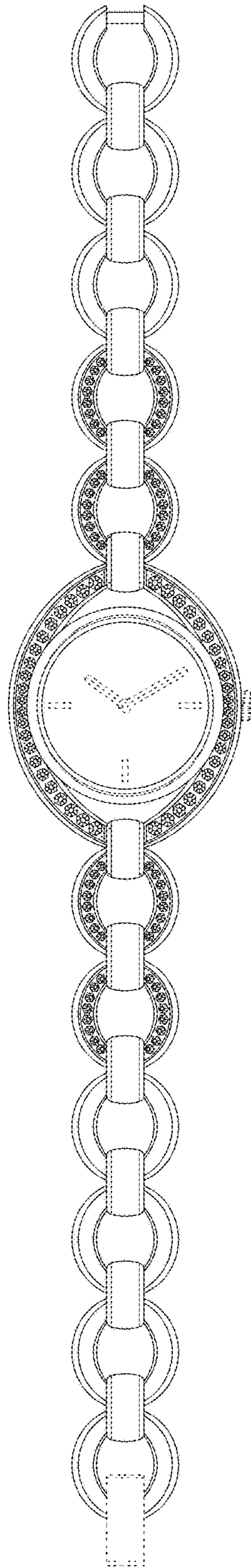


FIG. 2

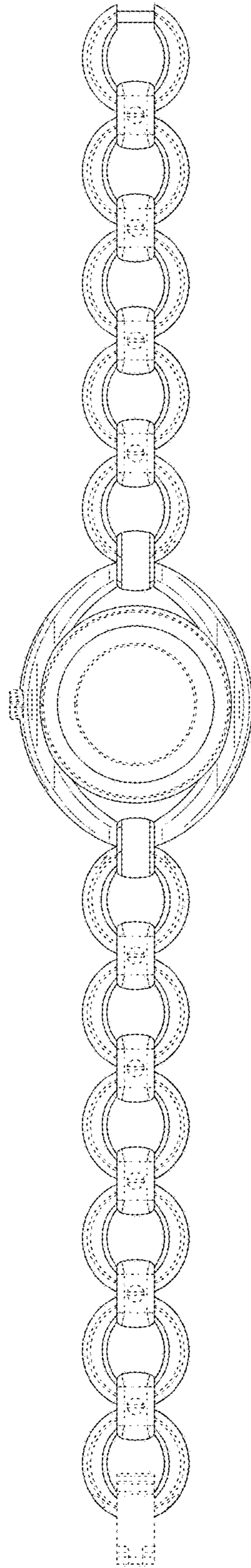


FIG. 3



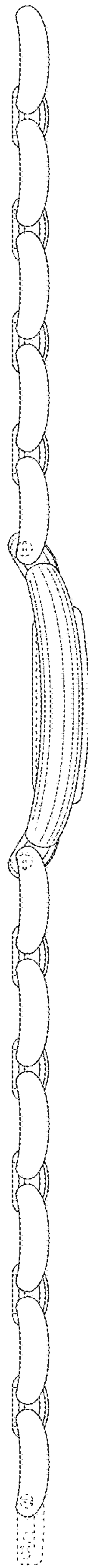


FIG. 4

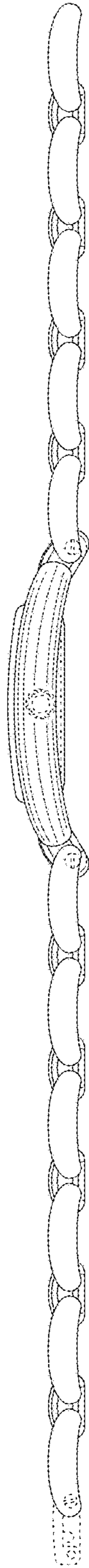


FIG. 5

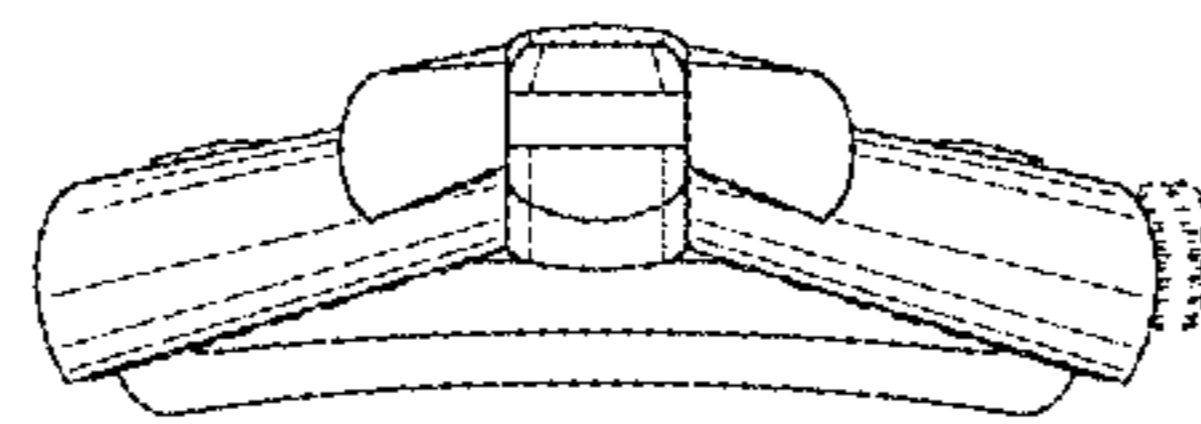


FIG. 6



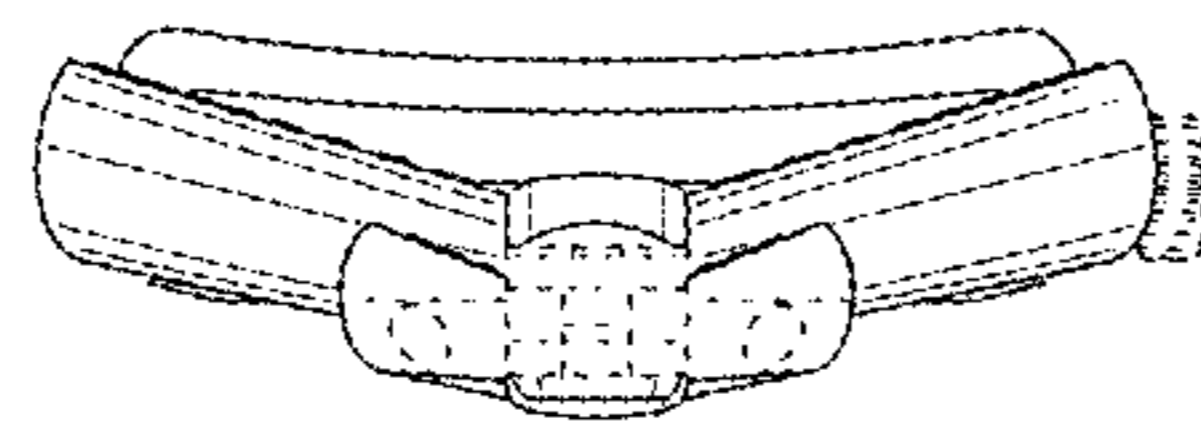


FIG. 7