



US00D861494S

(12) **United States Design Patent** (10) **Patent No.:** **US D861,494 S**
Hartung et al. (45) **Date of Patent:** **** Oct. 1, 2019**

(54) **MEDICAMENT STORAGE AND DISPENSER DEVICE**

CPC B65D 35/00; B65D 35/08; B65D 11/00;
 B65D 11/04; B65D 1/00; B65D 1/02;
 B65D 1/023; B65D 1/32; B65D 33/00;
 B65D 33/02; B65D 33/04; B65D 33/24;
 G01N 33/50; G01N 33/48; G01N
 33/5005

(71) Applicant: **Sergeant's Pet Care Products, Inc.**,
Omaha, NE (US)

See application file for complete search history.

(72) Inventors: **Lauren Taylor Hartung**, Omaha, NE
 (US); **Craig Robert Ziemkiewicz**,
 Omaha, NE (US); **Mark Joseph Pakes**,
 Omaha, NE (US); **Mark Christopher
 Bates**, Plymouth, MA (US); **Christine
 Ciccone Horan**, Boston, MA (US);
Luke McDonald Hydrick, Boston, MA
 (US)

(56) **References Cited**

U.S. PATENT DOCUMENTS

D345,211 S *	3/1994	Bologna	D24/115
D518,891 S *	4/2006	Strong	D24/115
D571,002 S *	6/2008	Starnes	D24/115
D606,518 S *	12/2009	Andre	D14/217
D779,653 S *	2/2017	Habig	D24/115
D827,152 S *	8/2018	Ou	D24/224
D834,948 S *	12/2018	Hoffman, Jr.	D9/702

(73) Assignee: **Sergeant's Pet Care Products, Inc.**,
Omaha, NE (US)

* cited by examiner

(**) Term: **15 Years**

Primary Examiner — Abraham Bahta

(21) Appl. No.: **29/633,870**

(74) *Attorney, Agent, or Firm* — Armstrong Teasdale LLP

(22) Filed: **Jan. 16, 2018**

(57) **CLAIM**

(51) **LOC (12) Cl.** **09-05**

The ornamental design for a medicament storage and dispenser device, as shown and described.

(52) **U.S. Cl.**

USPC **D9/702**; D24/121; D24/117

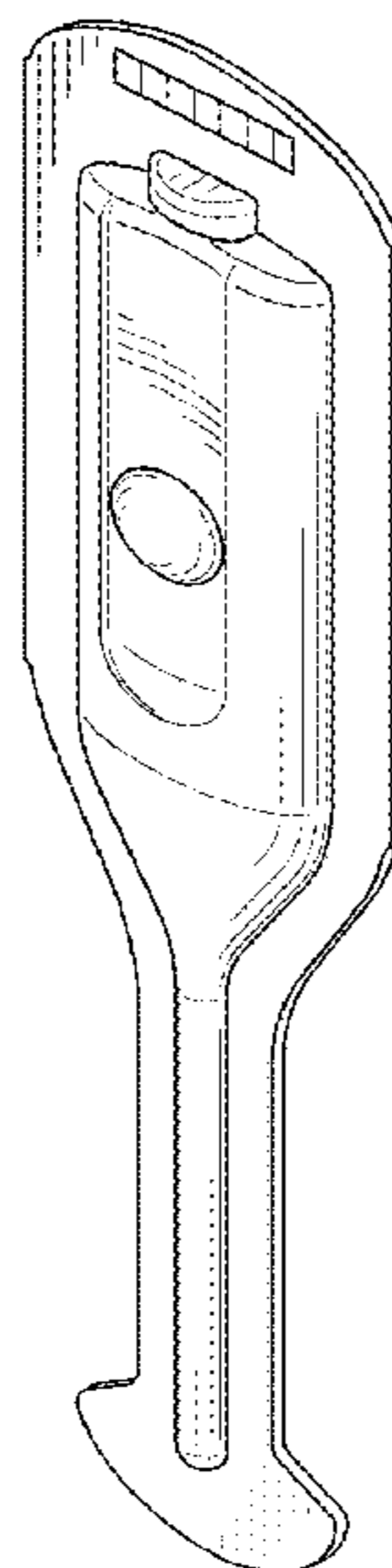
DESCRIPTION

(58) **Field of Classification Search**

USPC D9/702–714, 443, 447, 499, 516–517,
 D9/523, 524, 526, 528, 530, 719, 572,
 D9/520, 521, 529; D24/118, 207, 108,
 D24/169, 216, 117, 115; 383/6, 9, 22,
 383/96, 61.1, 80–81, 104, 901, 63, 203,
 383/107, 119–120, 123, 61.2, 44;
 220/675, 495.03, 200, 288; 215/381–385,
 215/400, 328, 316, 200, 217; 206/484;
 D3/202, 203.1, 203.2; 428/34.3, 35.2;
 222/92, 215, 95, 107; 604/408, 403, 415

FIG. 1 is a perspective view of the medicament storage and dispenser device;
 FIG. 2 is a front view thereof;
 FIG. 3 is a rear view thereof;
 FIG. 4 is a right side view, the left side view being a mirror image thereof.
 FIG. 5 is a top view thereof; and,
 FIG. 6 is a bottom view thereof.

1 Claim, 5 Drawing Sheets



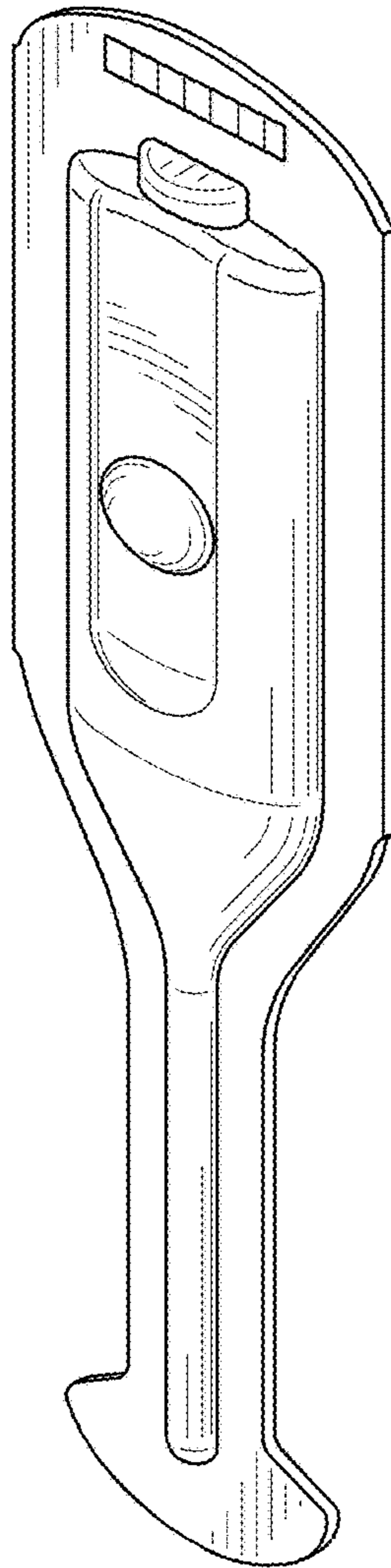


Fig. 1

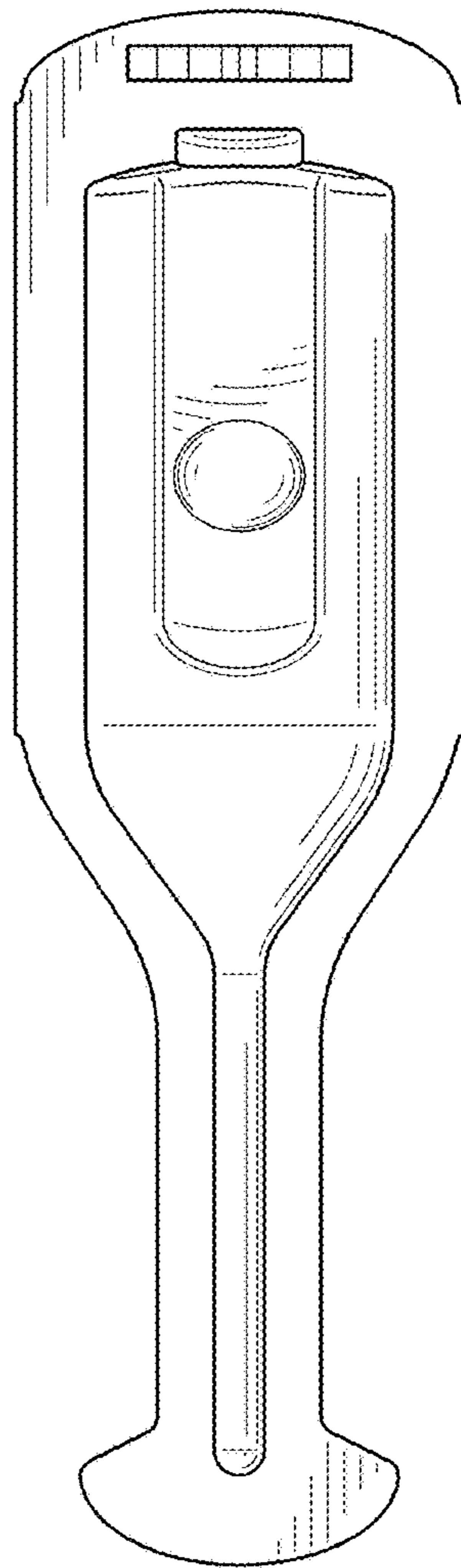


Fig. 2

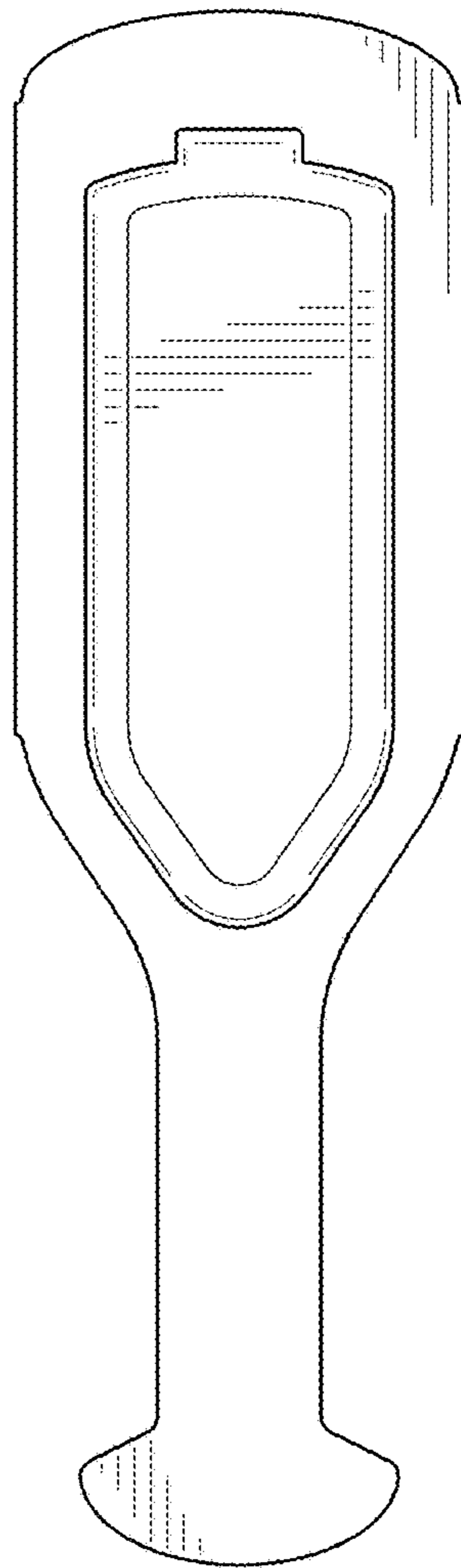


Fig. 3



Fig. 4



Fig. 5



Fig. 6