



US00D861493S

(12) **United States Design Patent**
Sutton

(10) **Patent No.:** **US D861,493 S**
(45) **Date of Patent:** **** Oct. 1, 2019**

(54) **BOTTLE**

(71) Applicant: **The Jerry Pack Corp.**, Richmond Hill (CA)

(72) Inventor: **Richard J. Sutton**, Dunsford (CA)

(73) Assignee: **The Jerry Pack Corporation**, Richmond Hill, Ontario (CA)

(**) Term: **15 Years**

(21) Appl. No.: **29/693,454**

(22) Filed: **Jun. 3, 2019**

Related U.S. Application Data

(62) Division of application No. 29/630,586, filed on Dec. 21, 2017.

(51) **LOC (12) Cl.** **09-01**

(52) **U.S. Cl.**
USPC **D9/667; D9/526; D9/575**

(58) **Field of Classification Search**
USPC D9/434-435, 442, 447, 516, 523,
D9/525-526, 575, 667, 715, 719;
D23/211.1-211.2
CPC B65D 1/00; B65D 1/02; B65D 1/0223;
B65D 1/023; B65D 23/00; B65D
2501/00; B65D 2501/0009; B65D
2501/0081

See application file for complete search history.

(56) **References Cited**

U.S. PATENT DOCUMENTS

D57,479 S * 4/1921 Mojonier D9/667
D101,590 S * 10/1936 Patterson D19/93

D124,054 S *	12/1940	Ansell	D9/526
D138,192 S *	7/1944	Ansell	D9/526
D170,639 S *	10/1953	Hoffman, Jr.	D9/523
D247,092 S *	1/1978	Evangelista	D9/526
D250,573 S *	12/1978	Evangelista	D9/526
D328,431 S *	8/1992	Skidmore	D9/417
D528,431 S *	9/2006	Brandt	D9/516
D571,216 S *	6/2008	Christian	D9/523
D586,221 S *	2/2009	Shaikh	D9/523
D586,656 S *	2/2009	Mount	D9/417
D630,474 S *	1/2011	Gilbert	D7/608
D726,022 S *	4/2015	Humm	D9/545

* cited by examiner

Primary Examiner — Dana Meyrow

(74) *Attorney, Agent, or Firm* — Fox Rothschild LLP

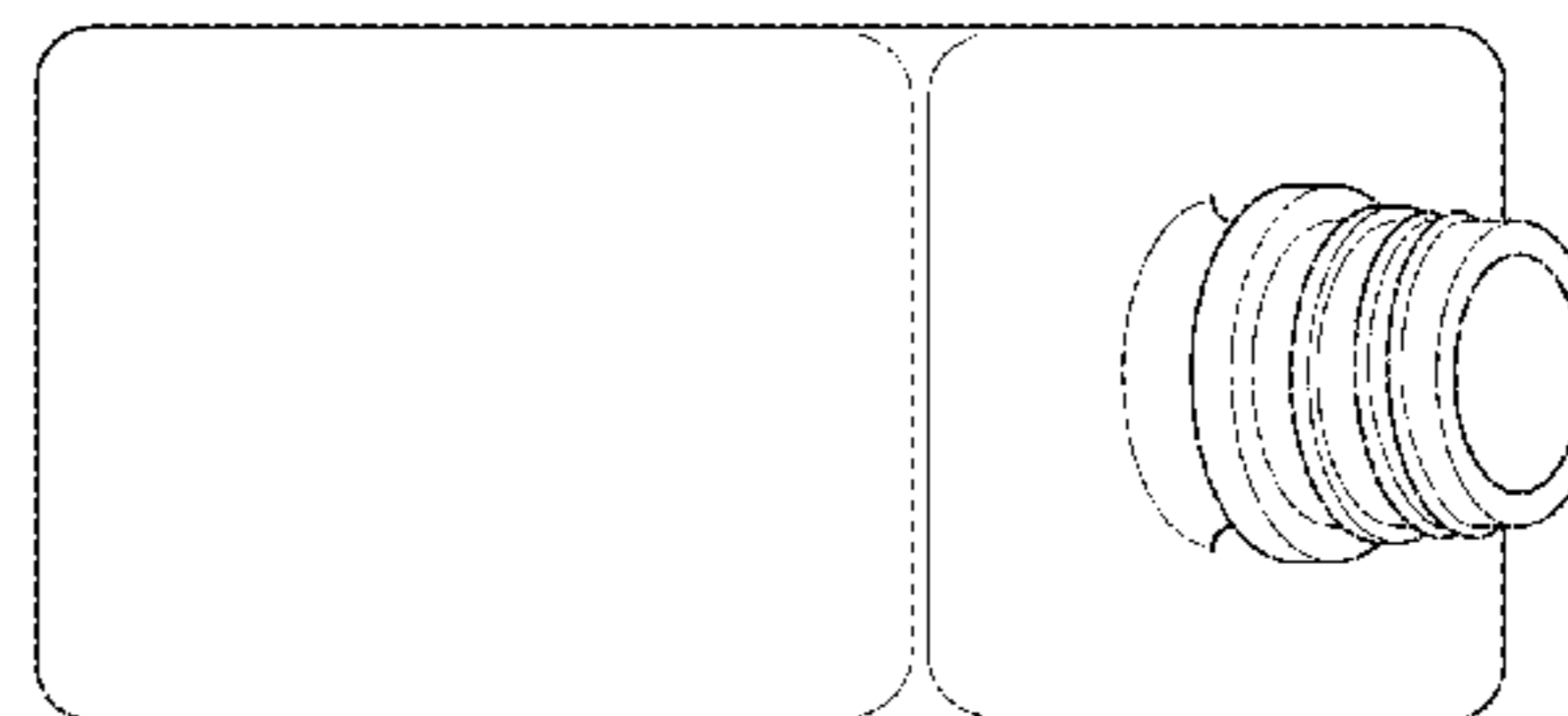
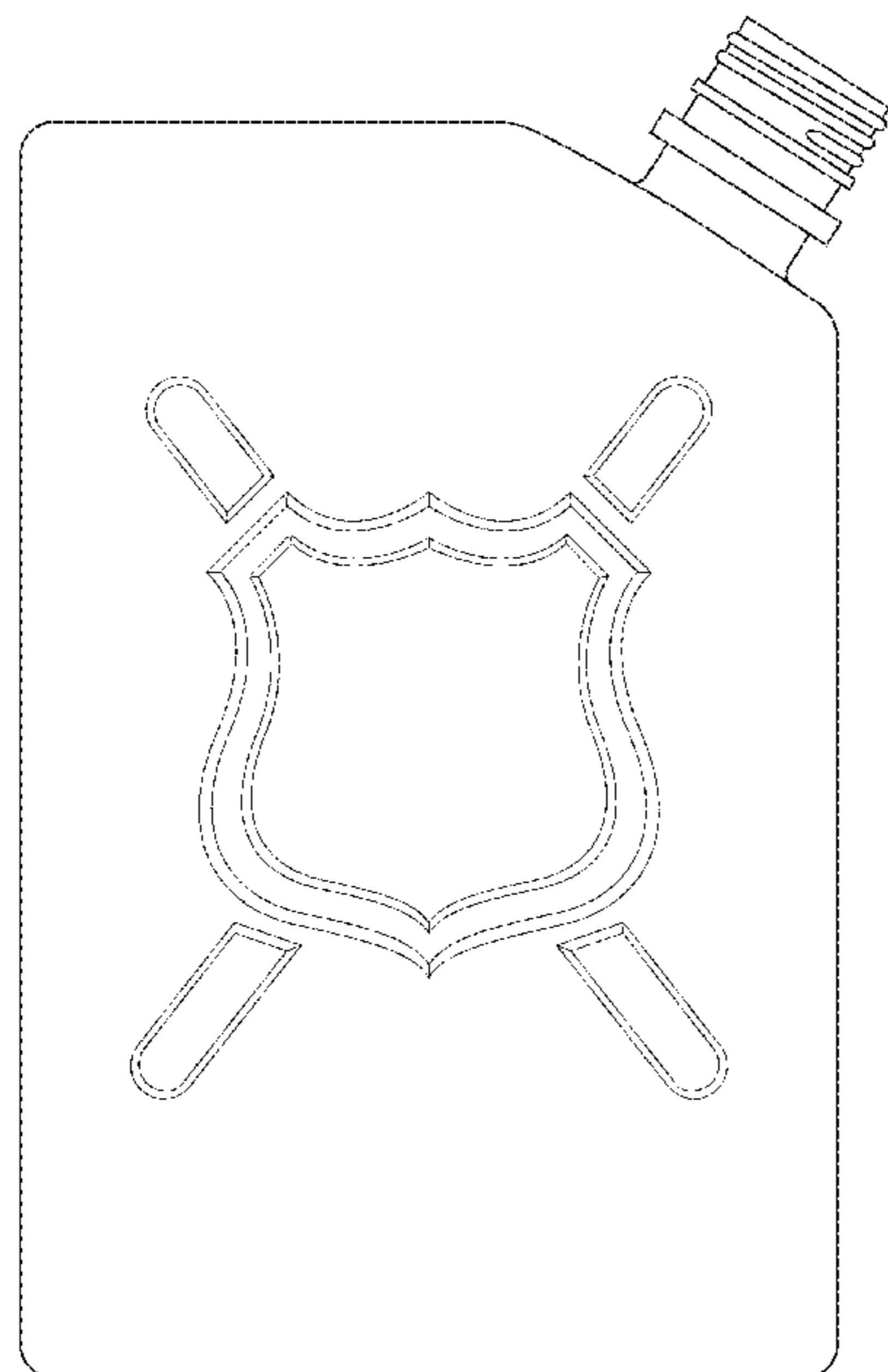
(57) **CLAIM**

I claim the ornamental design for a bottle, as shown and described.

DESCRIPTION

FIG. 1 is a front view of a bottle in accordance with the design;
FIG. 2 is a back view of the bottle of FIG. 1;
FIG. 3 is a right side view of the bottle of FIG. 1;
FIG. 4 is a left side view of the bottle of FIG. 1;
FIG. 5 is a top view of the bottle of FIG. 1;
FIG. 6 is a bottom view of the bottle of FIG. 1; and,
FIG. 7 is a perspective view of the bottle of FIG. 1.
The broken lines in the drawings illustrate the portions of the bottle that form no part of the claim.

1 Claim, 5 Drawing Sheets



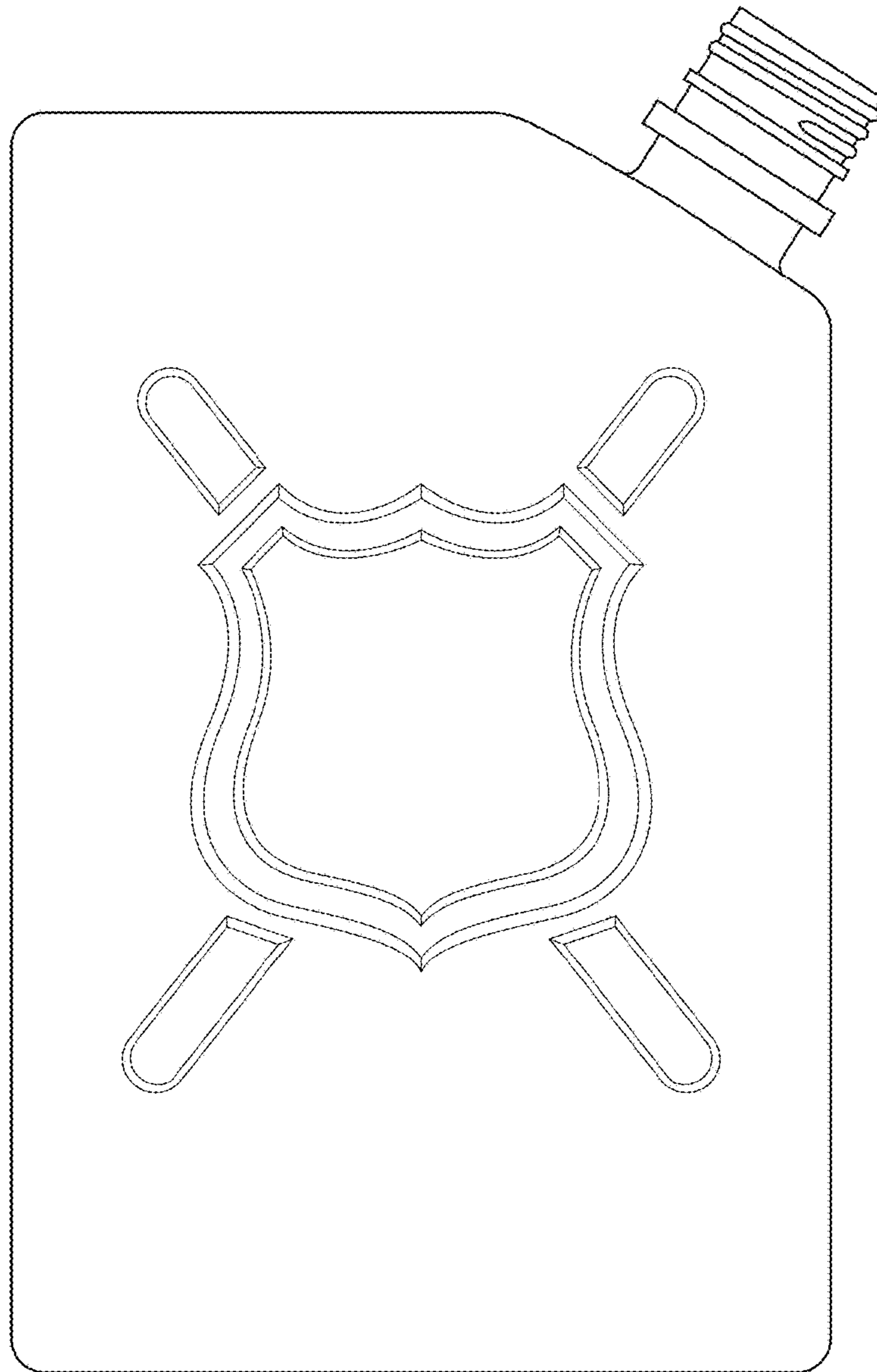


Figure 1

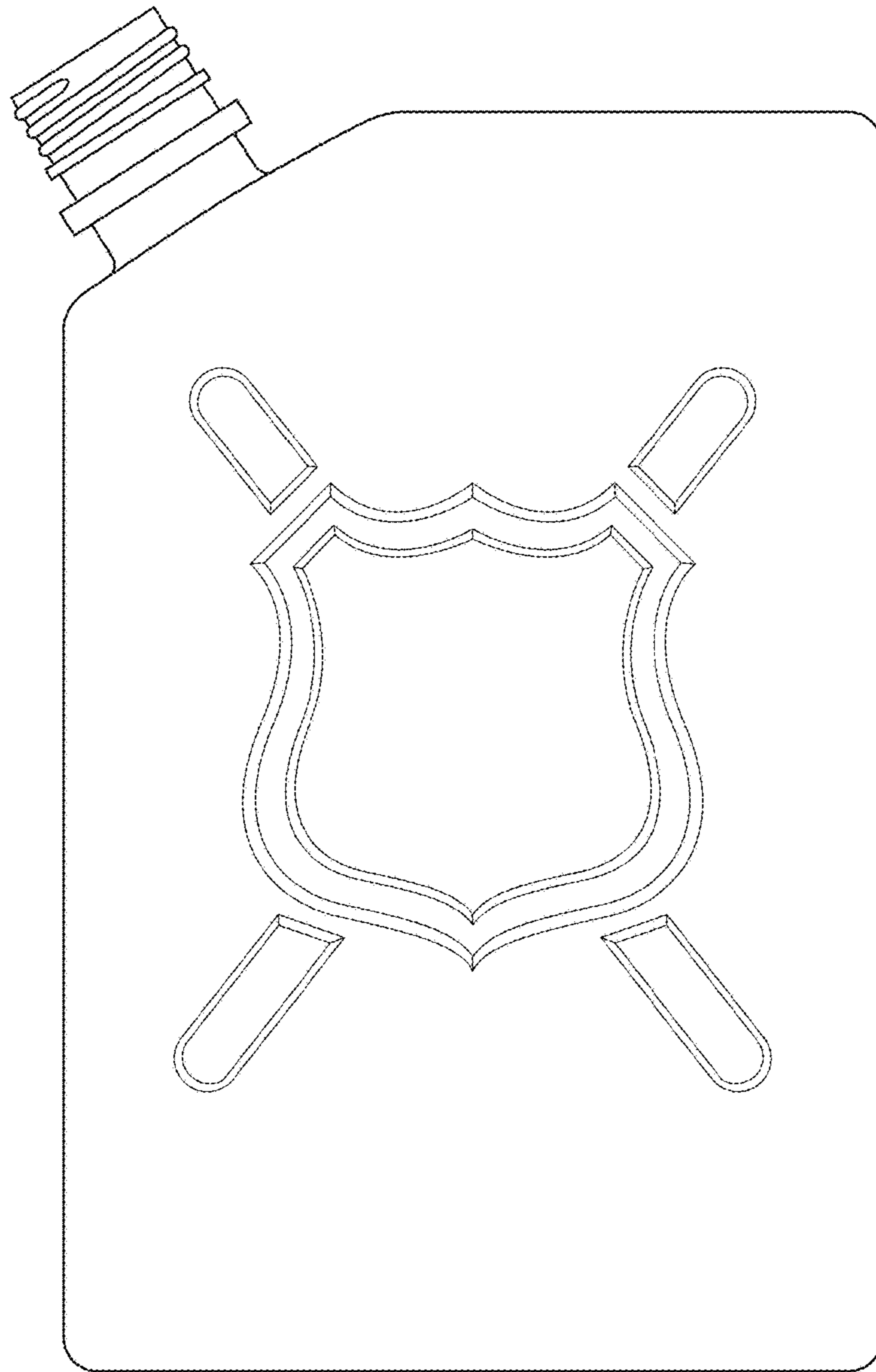


Figure 2

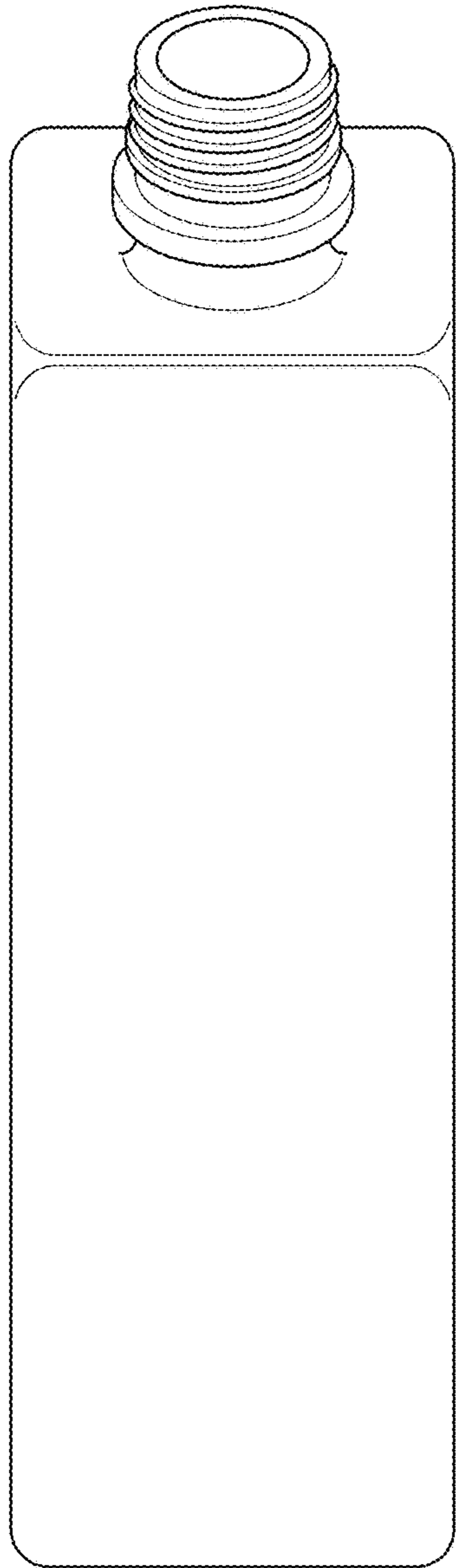


Figure 3



Figure 4

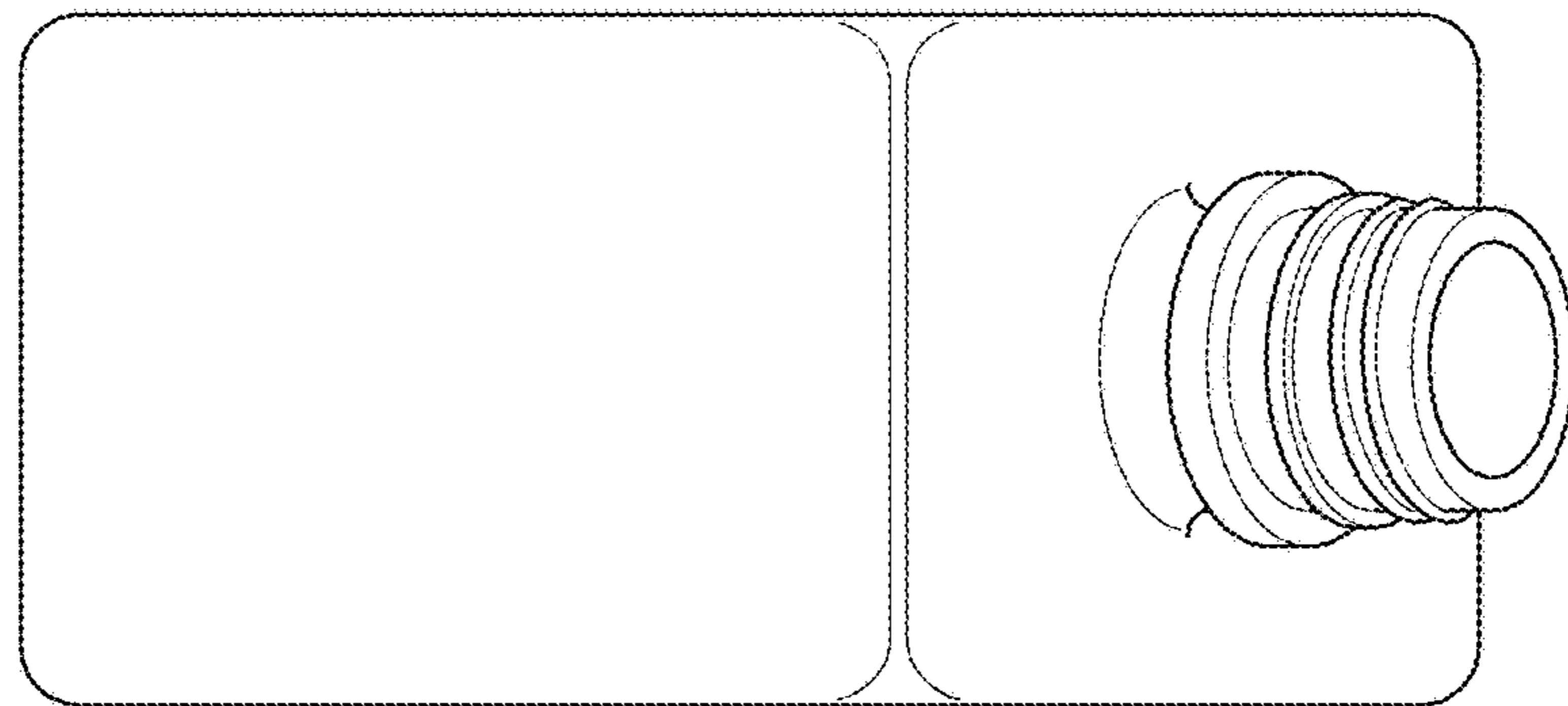


Figure 5

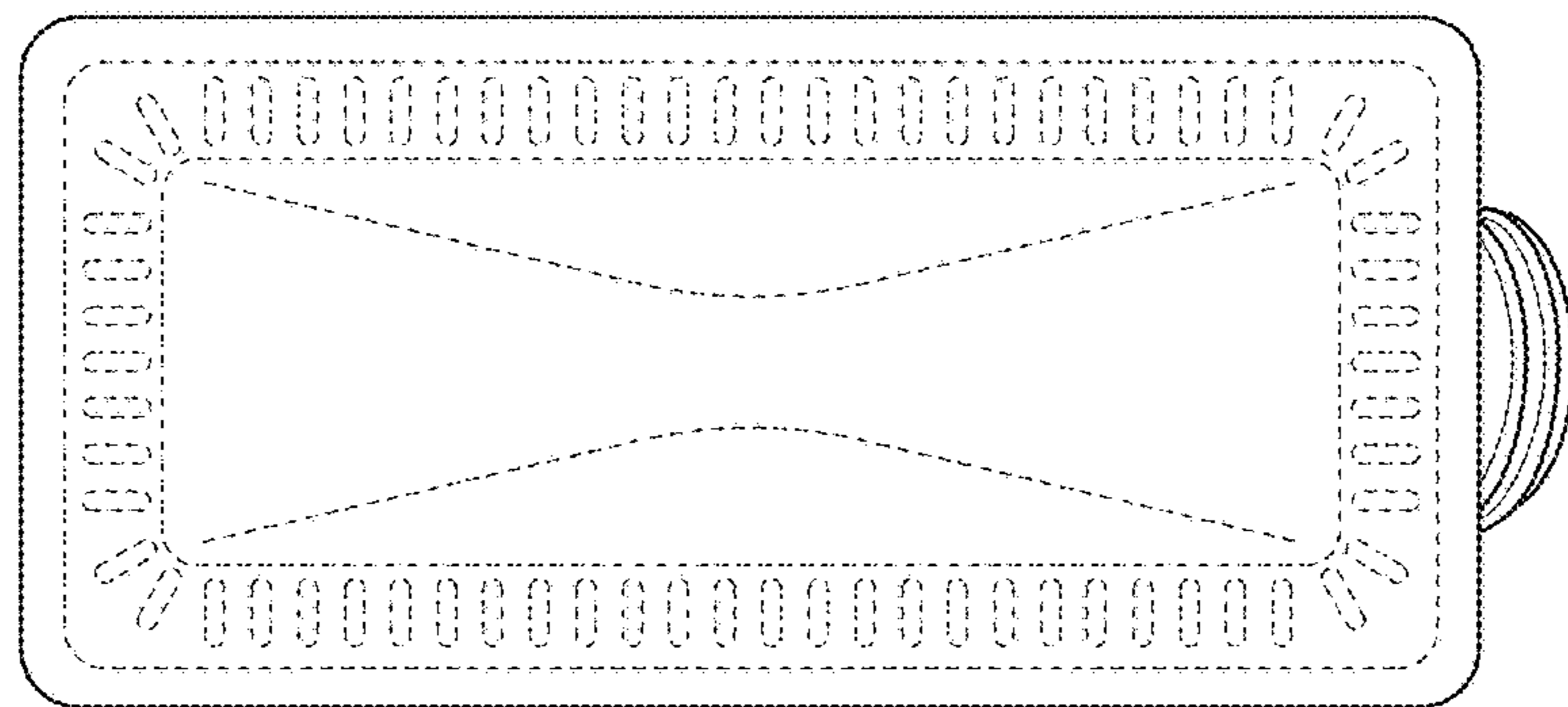


Figure 6

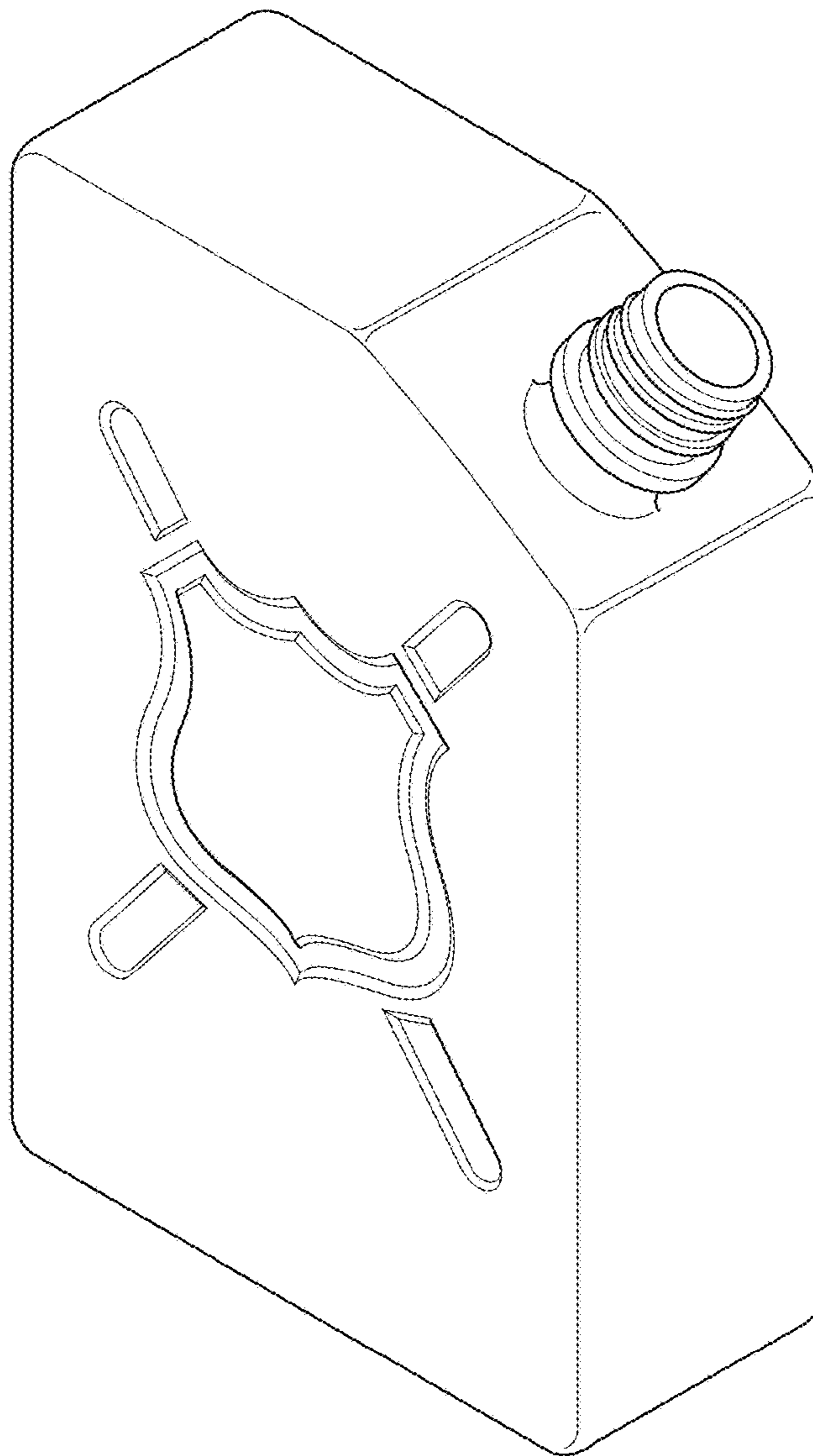


Figure 7