



US00D861488S

(12) **United States Design Patent** (10) **Patent No.:** **US D861,488 S**
Sutton (45) **Date of Patent:** **** Oct. 1, 2019**

- (54) **BOTTLE**
- (71) Applicant: **The Jerry Pack Corp.**, Richmond Hill (CA)
- (72) Inventor: **Richard J. Sutton**, Dunsford (CA)
- (73) Assignee: **The Jerry Pack Corporation**, Richmond Hill, Ontario (CA)
- (**) Term: **15 Years**
- (21) Appl. No.: **29/693,458**
- (22) Filed: **Jun. 3, 2019**

D138,192 S *	7/1944	Ansell	D9/526
D170,639 S *	10/1953	Hoffman, Jr.	D9/523
D247,092 S *	1/1978	Evangelista	D9/526
D250,573 S *	12/1978	Evangelista	D9/526
D328,431 S *	8/1992	Skidmore	D9/417
D501,359 S *	2/2005	Bodum	D7/392
D571,216 S *	6/2008	Christian	D9/523
D586,221 S *	2/2009	Shaikh	D9/523
D586,656 S *	2/2009	Mount	D9/417
D690,596 S *	10/2013	Logue	D9/447
D720,241 S *	12/2014	Logue	D10/46.2
D734,150 S *	7/2015	Rigel	D9/440
D755,652 S *	5/2016	Logue	D10/46.2
D758,893 S *	6/2016	Logue	D10/46.2
D833,874 S *	11/2018	Harrison	D9/500

* cited by examiner

Related U.S. Application Data

- (62) Division of application No. 29/630,586, filed on Dec. 21, 2017.
- (51) **LOC (12) Cl.** **09-01**
- (52) **U.S. Cl.**
USPC **D9/526; D9/440; D9/575**
- (58) **Field of Classification Search**
USPC D9/434-435, 442, 447, 516, 523,
D9/525-526, 575, 667, 715, 719;
D23/211.1-211.2
CPC B65D 1/00; B65D 1/02; B65D 1/0223;
B65D 1/023; B65D 23/00; B65D
2501/00; B65D 2501/0009; B65D
2501/0081
See application file for complete search history.

Primary Examiner — Dana Meyrow

(74) *Attorney, Agent, or Firm* — Fox Rothschild LLP

(57) **CLAIM**

I claim the ornamental design for a bottle, as shown and described.

DESCRIPTION

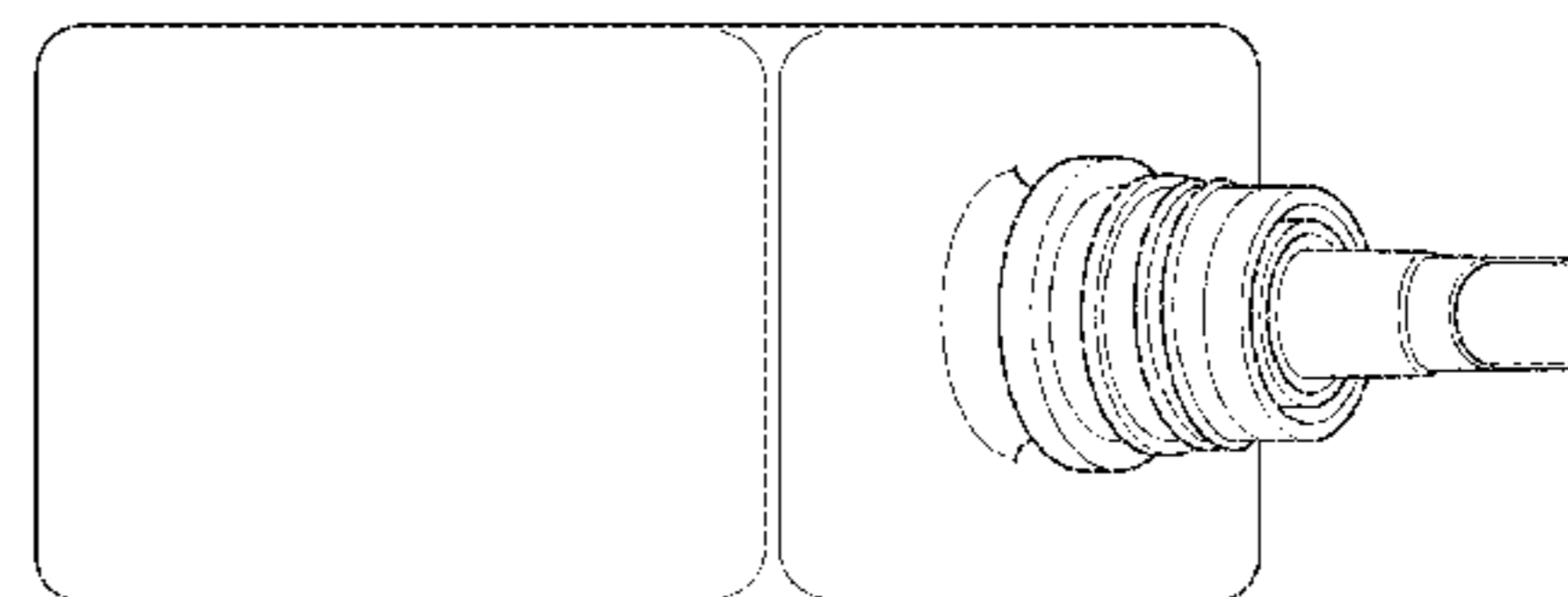
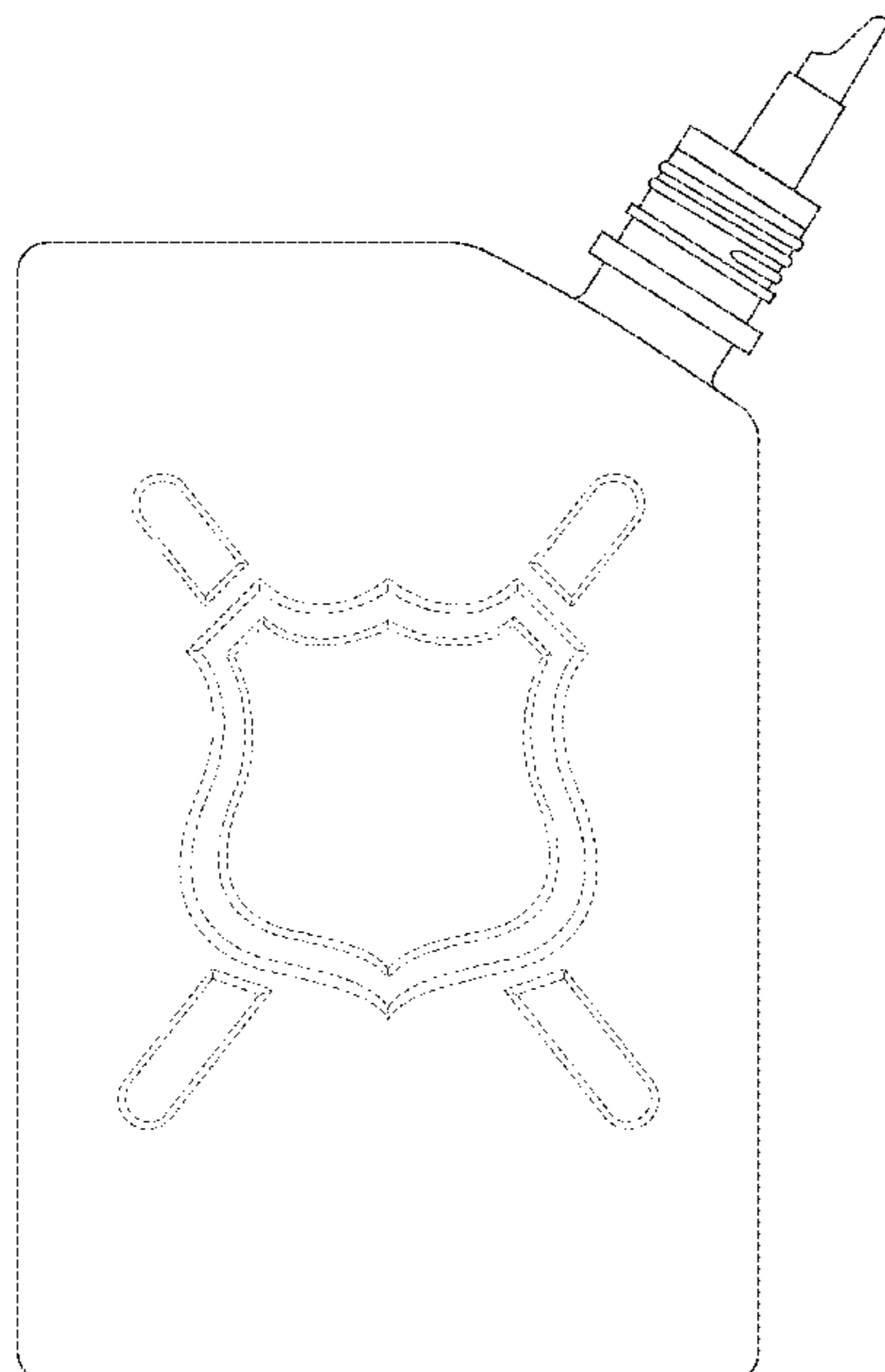
FIG. 1 is a front view of a bottle in accordance with the design, with a retractable spout in an extended position; FIG. 2 is a back view of the bottle of FIG. 1; FIG. 3 is a right side view of the bottle of FIG. 1; FIG. 4 is a left side view of the bottle of FIG. 1; FIG. 5 is a top view of the bottle of FIG. 1; FIG. 6 is a bottom view of the bottle of FIG. 1; FIG. 7 is a perspective view of the bottle of FIG. 1; and, FIG. 8 is a front view of the bottle of FIG. 1 with the retractable spout in a retracted position. The broken lines in the drawings illustrate the portions of the bottle that form no part of the claim.

(56) **References Cited**

U.S. PATENT DOCUMENTS

D101,590 S *	10/1936	Patterson	D19/93
D124,054 S *	12/1940	Ansell	D9/526

1 Claim, 6 Drawing Sheets



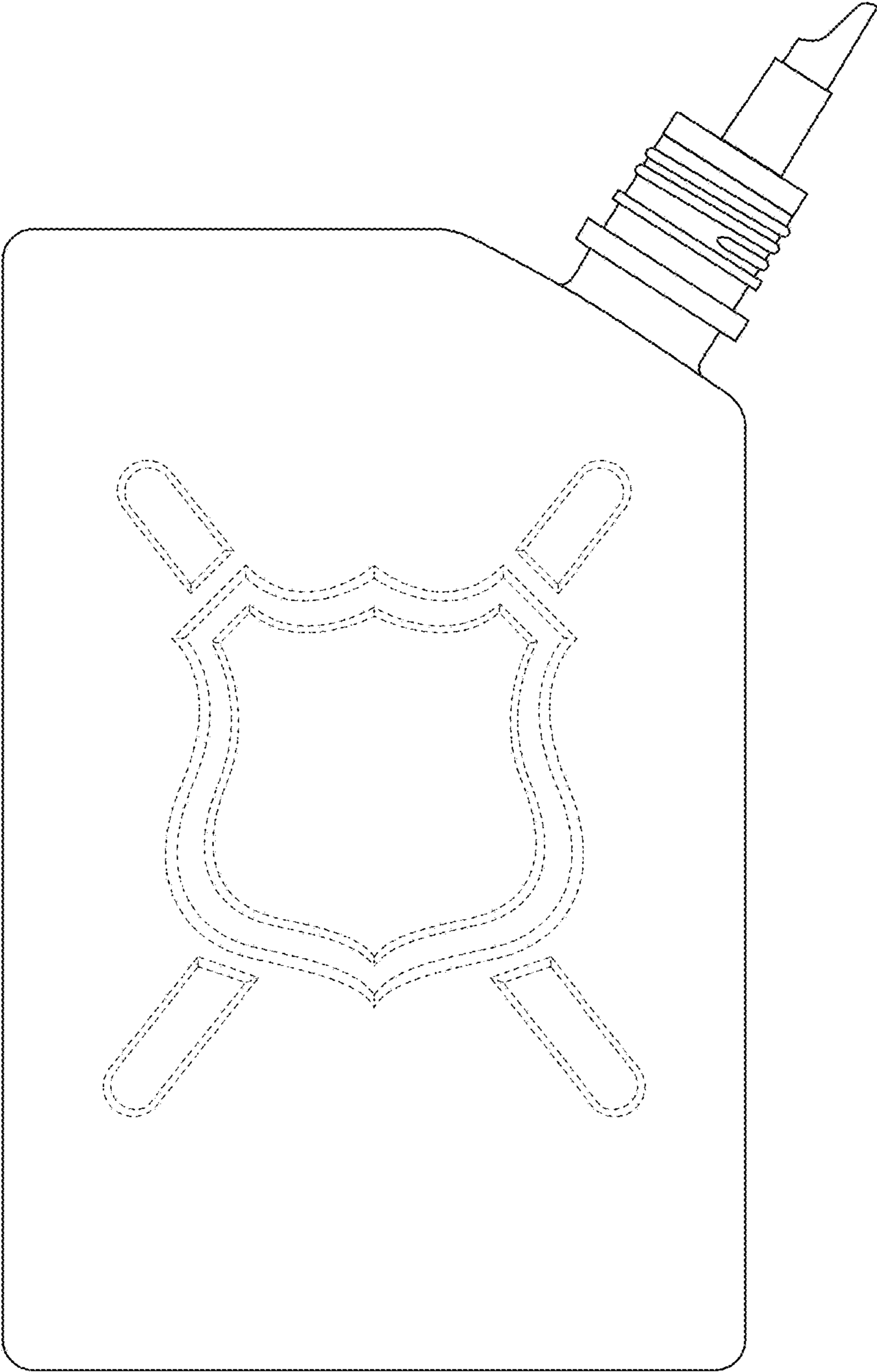


Figure 1

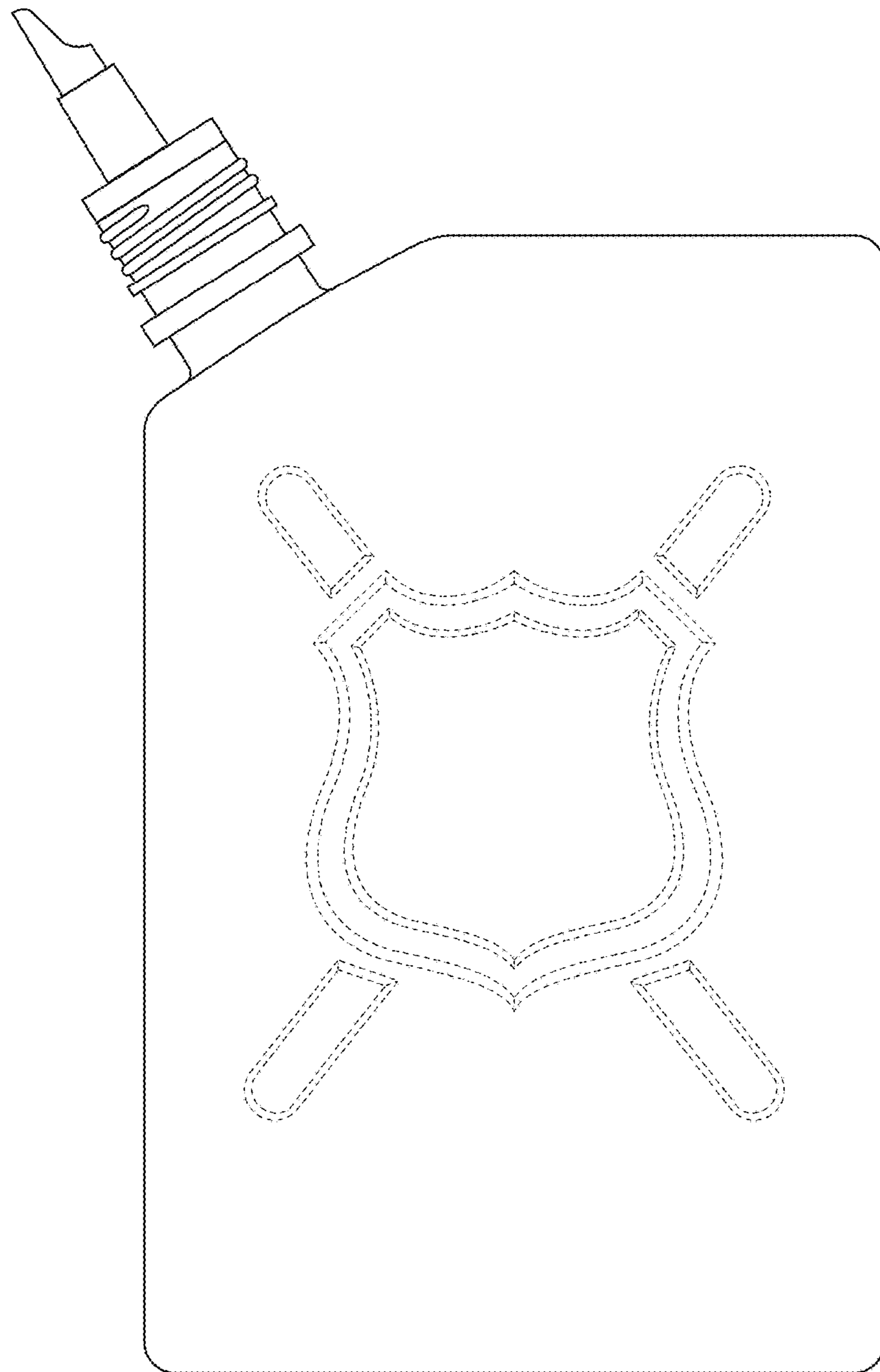


Figure 2

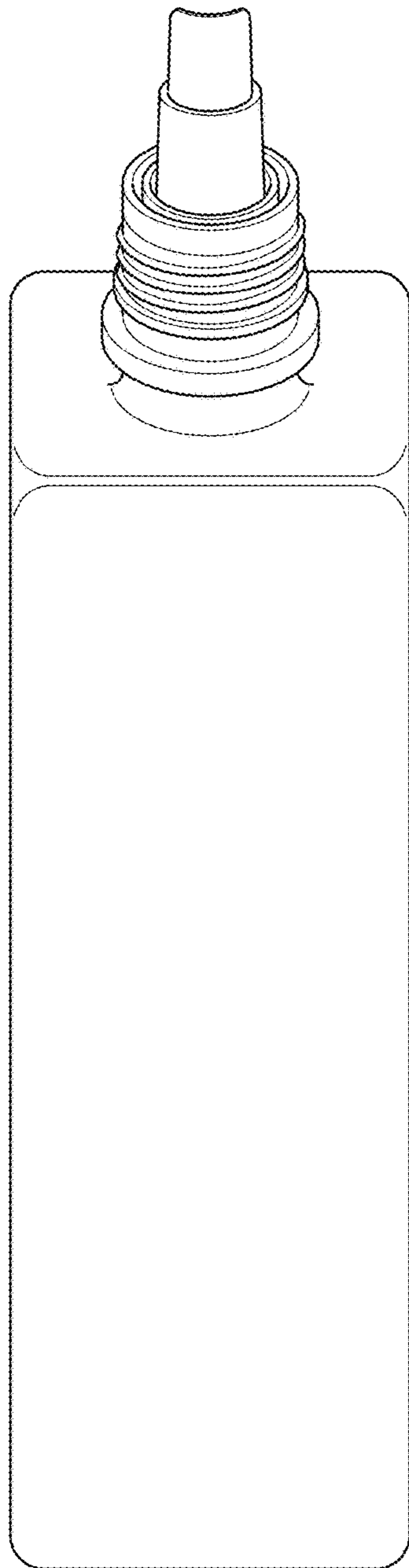


Figure 3

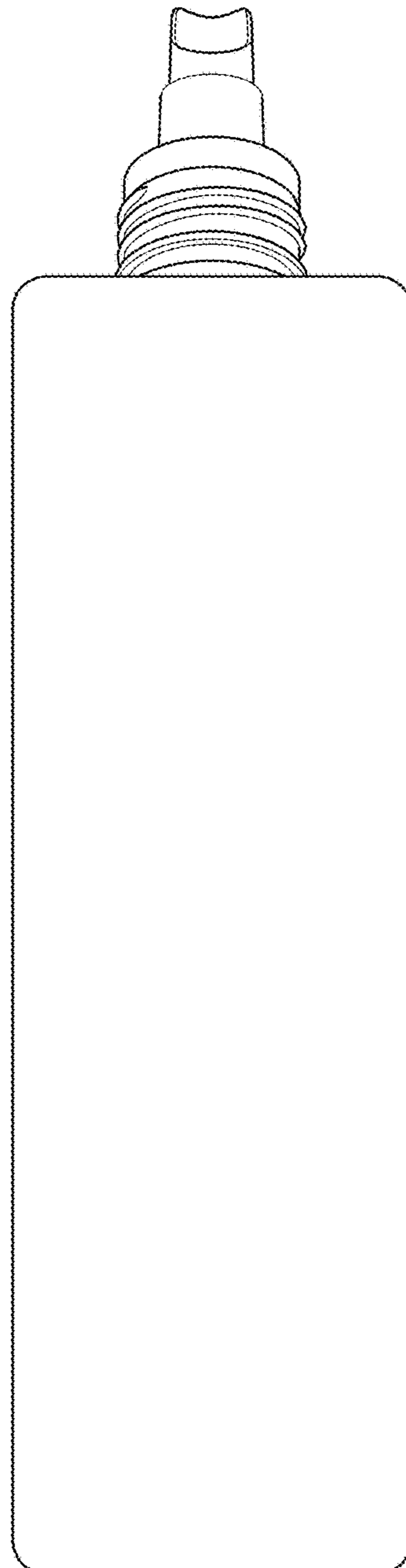


Figure 4

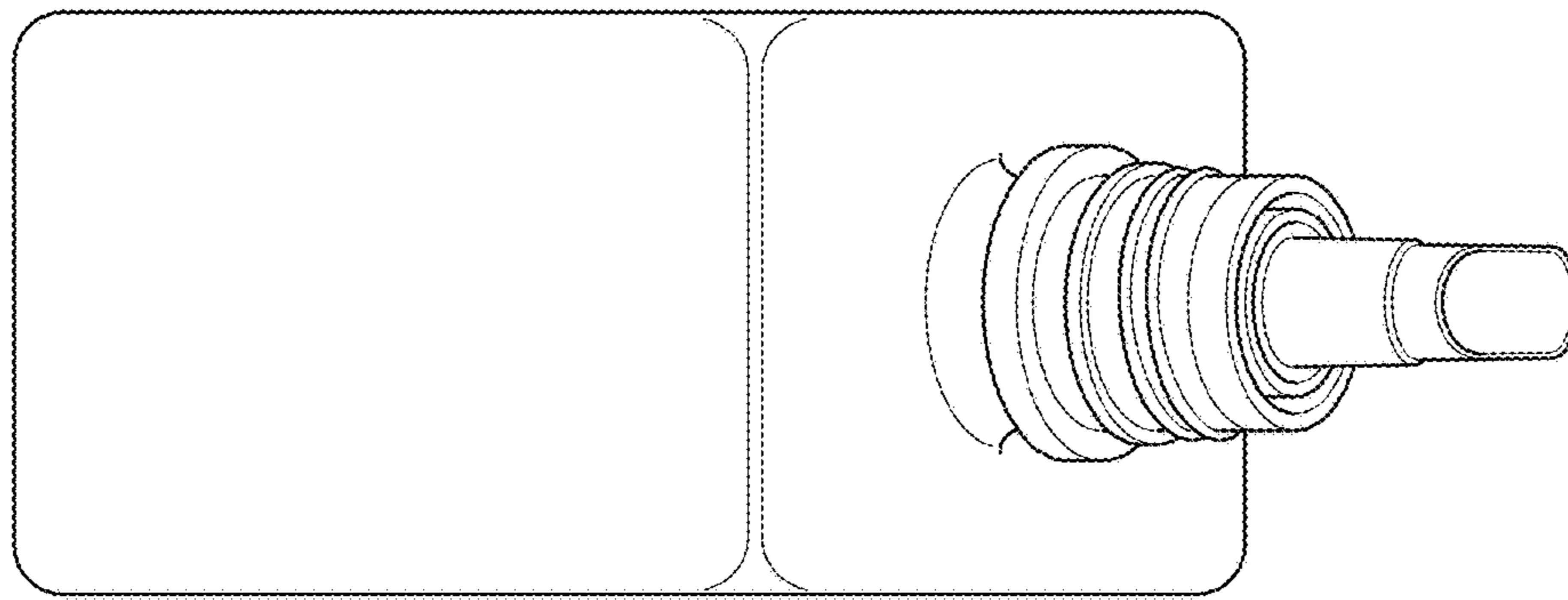


Figure 5

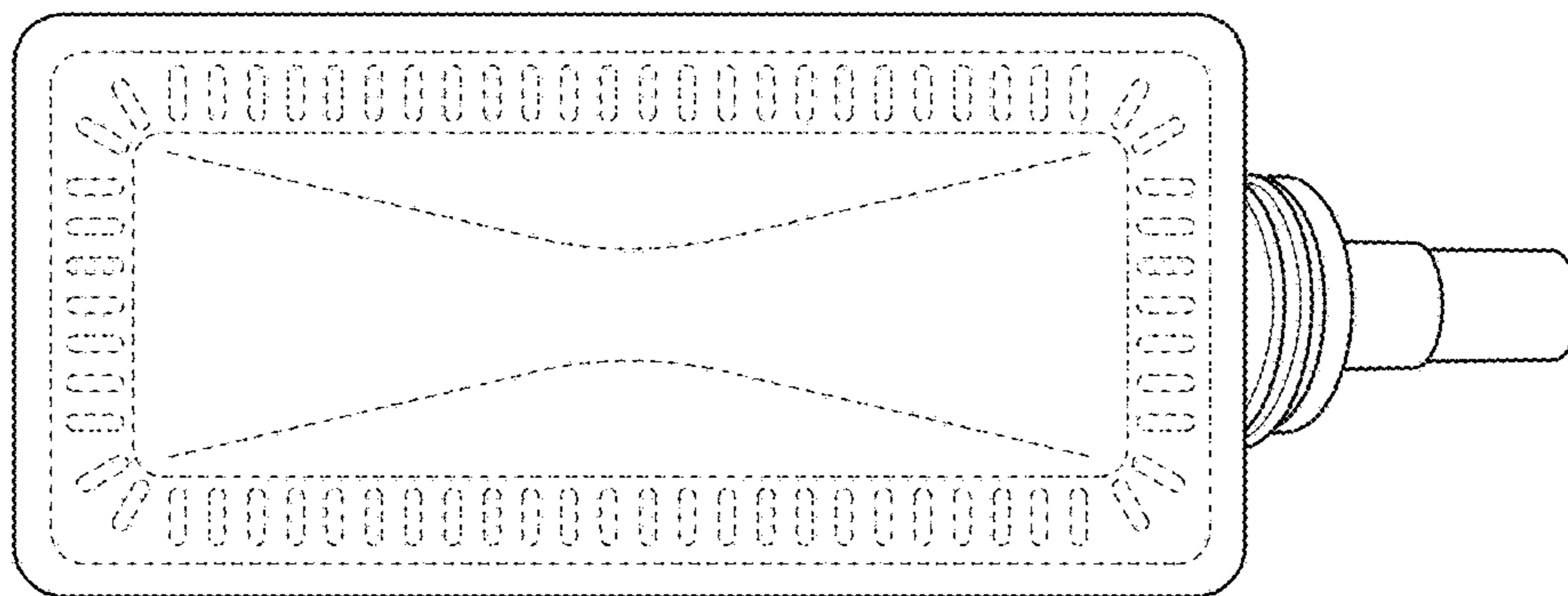


Figure 6

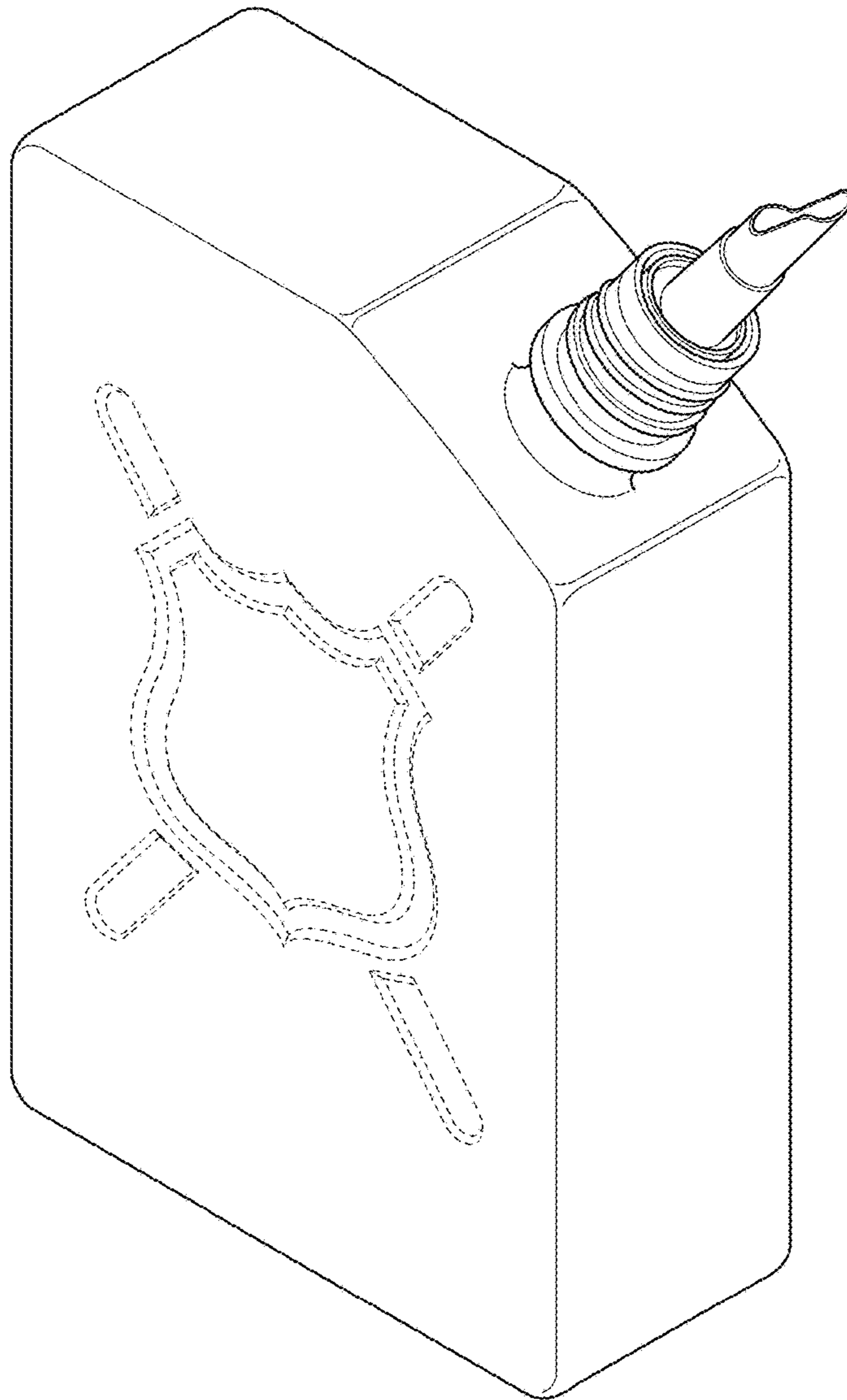


Figure 7

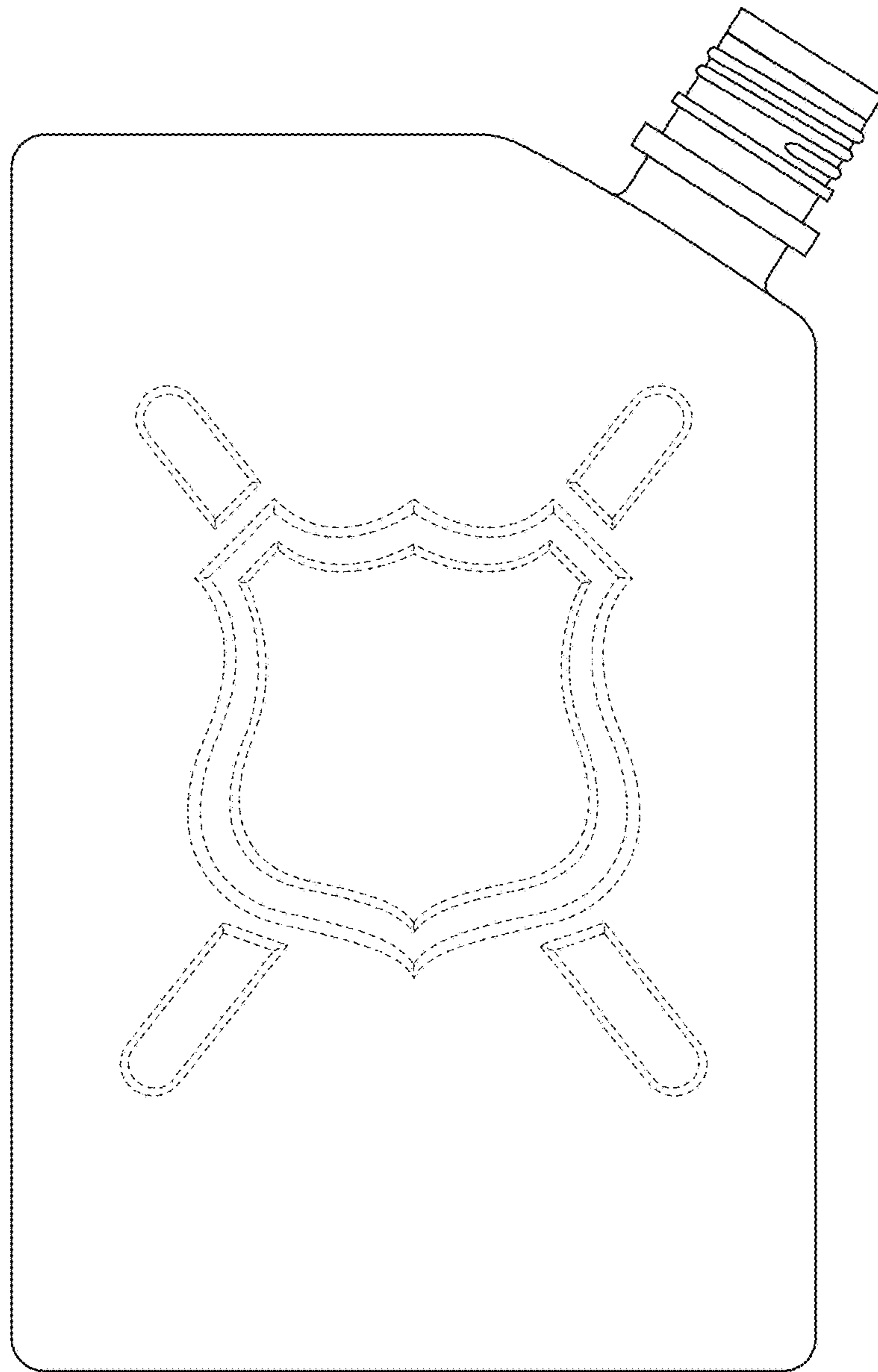


Figure 8