



US00D861485S

(12) **United States Design Patent**  
**Kapolas**

(10) **Patent No.:** **US D861,485 S**

(45) **Date of Patent:** **\*\* Oct. 1, 2019**

(54) **LID**

(71) Applicant: **Silgan White Cap LLC**, Downers Grove, IL (US)

(72) Inventor: **William J. Kapolas**, Palatine, IL (US)

(73) Assignee: **Silgan White Cap LLC**, Downers Grove, IL (US)

(\*\*) Term: **15 Years**

(21) Appl. No.: **29/625,450**

(22) Filed: **Nov. 9, 2017**

**Related U.S. Application Data**

(62) Division of application No. 29/564,592, filed on May 13, 2016, now Pat. No. Des. 805,900.

(51) **LOC (12) Cl.** ..... **09-07**

(52) **U.S. Cl.**  
USPC ..... **D9/453**

(58) **Field of Classification Search**  
USPC ..... D7/316, 392, 392.1, 396.2, 397, 510,  
D7/533; D9/434-436, 440, 443, 445,  
(Continued)

(56) **References Cited**

**U.S. PATENT DOCUMENTS**

D221,420 S \* 8/1971 Davis ..... D9/453  
D318,804 S \* 8/1991 Ochs ..... D9/453  
(Continued)

**OTHER PUBLICATIONS**

Hot Frog. Silgan White Cap Metal Twist-Off Closures. Apr. 8, 2016 [earliest online date], [site visited Aug. 30, 2018]. Available from Internet, <URL:https://www.hotfrog.com.au/business/vic/dandenong-south/caps-closures\_898040/silgan-white-cap-metal-twist-off-closures-632724>. (Year: 2016).\*

(Continued)

*Primary Examiner* — George D. Kirschbaum

*Assistant Examiner* — Darcey E Gottschalk

(74) *Attorney, Agent, or Firm* — Reinhart Boerner Van Deuren s.c.

(57) **CLAIM**

I claim the ornamental design for a lid, as shown and described.

**DESCRIPTION**

FIG. 1 is a top perspective view of one embodiment of the claimed design;

FIG. 2 is a bottom perspective view of the claimed design of FIG. 1;

FIG. 3 is a side view of the claimed design of FIG. 1;

FIG. 4 is a top view of the claimed design of FIG. 1;

FIG. 5 is a bottom view of the claimed design of FIG. 1;

FIG. 6 is a cross-section view of the claimed design of FIG. 1 taken along line 6-6 in FIG. 4;

FIG. 7 is a top perspective view of another embodiment of the claimed design;

FIG. 8 is a bottom perspective view of the claimed design of FIG. 7;

FIG. 9 is a side view of the claimed design of FIG. 7;

FIG. 10 is a top view of the claimed design of FIG. 7;

FIG. 11 is a bottom view of the claimed design of FIG. 7;

FIG. 12 is a cross-section view of the claimed design of FIG. 7 taken along line 12-12 in FIG. 10;

FIG. 13 is a top perspective view of another embodiment of the claimed design;

FIG. 14 is a bottom perspective view of the embodiment of FIG. 13;

FIG. 15 is a side view of the claimed design of FIG. 13;

FIG. 16 is a top view of the claimed design of FIG. 13;

FIG. 17 is a bottom view of the claimed design of FIG. 13;

FIG. 18 is a cross-section view of the claimed design of FIG. 13 taken along line 18-18 in FIG. 16;

FIG. 19 is a top perspective view of another embodiment of the claimed design;

FIG. 20 is a bottom perspective view of the embodiment of FIG. 19;

FIG. 21 is a side view of the claimed design of FIG. 19;

FIG. 22 is a top view of the claimed design of FIG. 19;

(Continued)

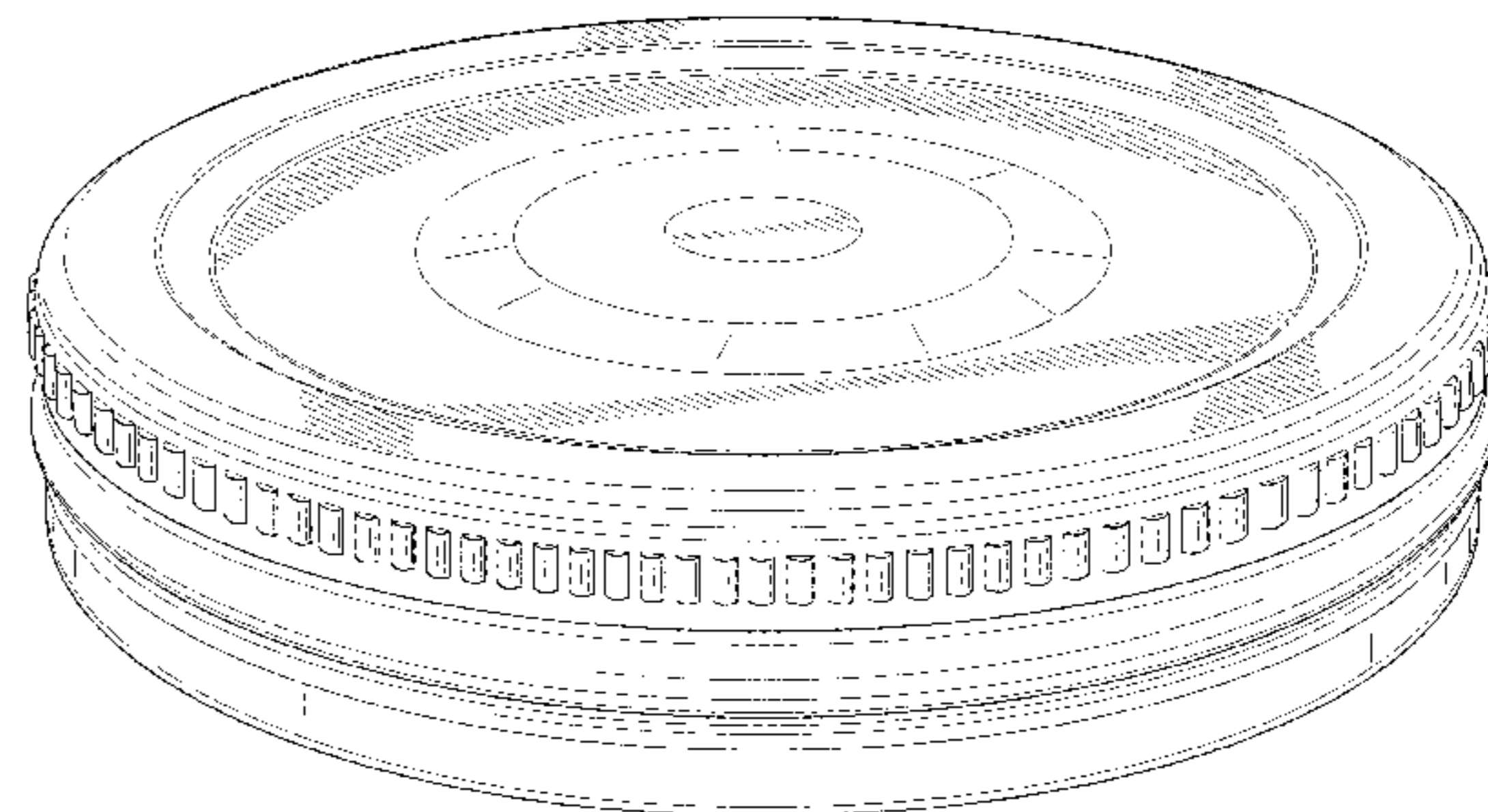
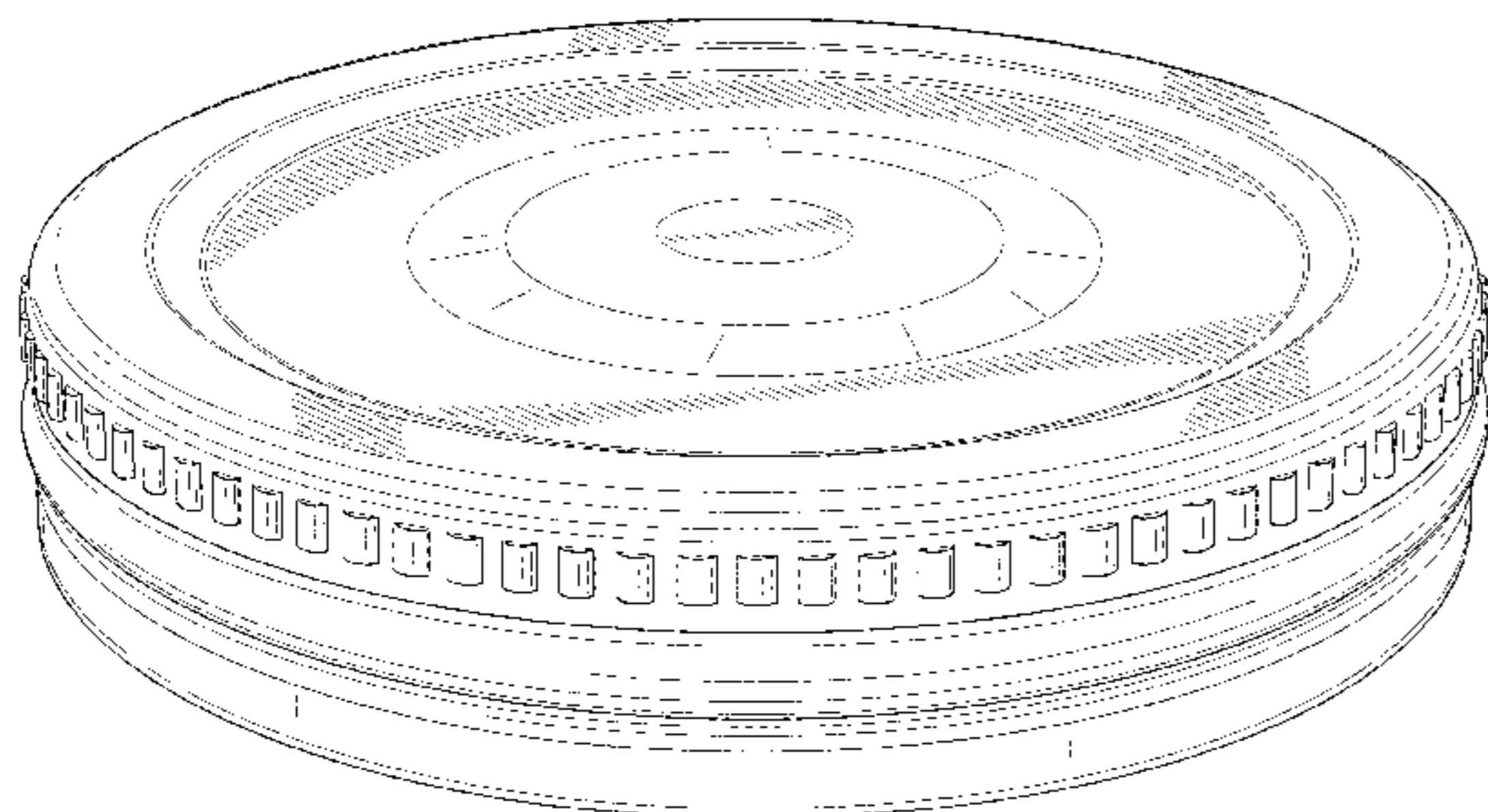


FIG. 23 is a bottom view of the claimed design of FIG. 19;  
 FIG. 24 is a cross-section view of the claimed design of FIG. 19 taken along line 24-24 in FIG. 22;  
 FIG. 25 is a top perspective view of another embodiment of the claimed design;  
 FIG. 26 is a bottom perspective view of the embodiment of FIG. 25;  
 FIG. 27 is a side view of the claimed design of FIG. 25;  
 FIG. 28 is a top view of the claimed design of FIG. 25;  
 FIG. 29 is a bottom view of the claimed design of FIG. 25; and,  
 FIG. 30 is a cross-section view of the claimed design of FIG. 25 taken along line 30-30 in FIG. 28.  
 The ornamental design which is claimed is shown in solid lines in the drawings.

**1 Claim, 30 Drawing Sheets**

(58) **Field of Classification Search**

USPC ..... D9/447, 452-454, 499; D8/300, 301, D8/305, 310, 312  
 CPC ..... B65D 41/00; B65D 41/38; B65D 41/56; B65D 41/62; B65D 47/00; B65D 47/06; B65D 47/08; B65D 2543/00046; B65D 2543/00092; B65D 2543/00296; B65D 51/28; B65D 21/0237; B65D 81/3205

See application file for complete search history.

(56)

**References Cited**

U.S. PATENT DOCUMENTS

D437,228	S	*	2/2001	Collins	.....	D9/453
D471,813	S	*	3/2003	Shenkar	.....	D9/452
D543,107	S		5/2007	Reed et al.		
D543,108	S		5/2007	Reed et al.		
D560,120	S	*	1/2008	Maravich	.....	D9/453
D569,245	S	*	5/2008	Joshi	.....	D9/447
D574,238	S	*	8/2008	Walker	.....	D9/435
D574,708	S		8/2008	Reed et al.		
D582,275	S		12/2008	Reed et al.		
D585,279	S	*	1/2009	Walker	.....	D9/435
D642,057	S		7/2011	Reed et al.		
D648,629	S	*	11/2011	Zomorodi	.....	D9/452
D650,670	S		12/2011	Dunwoody		
D656,818	S		4/2012	Dunwoody		
D673,047	S		12/2012	Stamper		
D697,366	S		1/2014	Kristinik		
D762,475	S		8/2016	Turner		
D805,900	S	*	12/2017	Kapolas	.....	D9/453

OTHER PUBLICATIONS

Silgan Closures. Easy Grip fluted closures. 2018 [earliest online date], [site visited Aug. 30, 2018]. Available from Internet, <URL:https://silgancls.com/product-selector/>. (Year: 2018).\*

\* cited by examiner

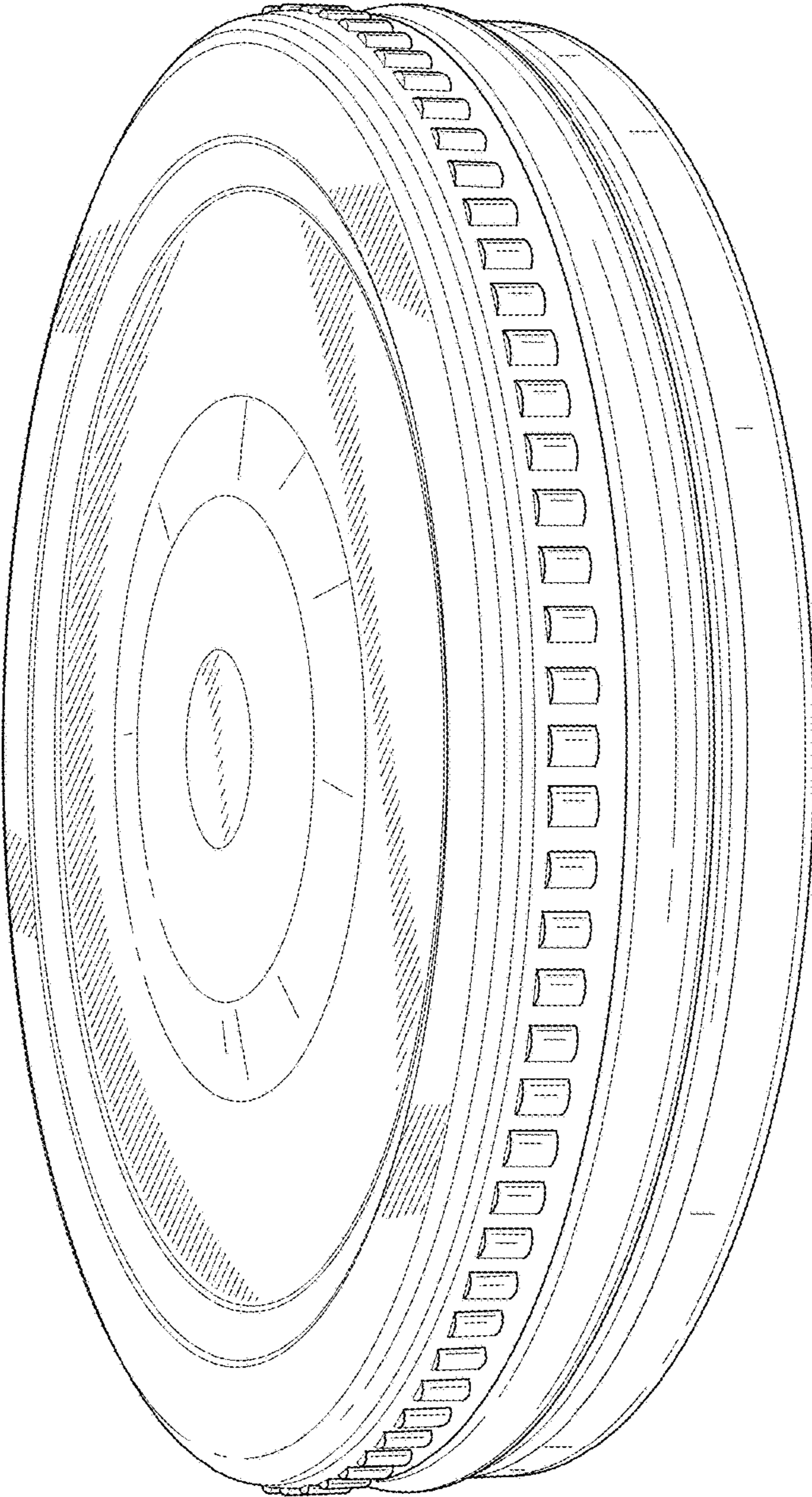


FIG. 1

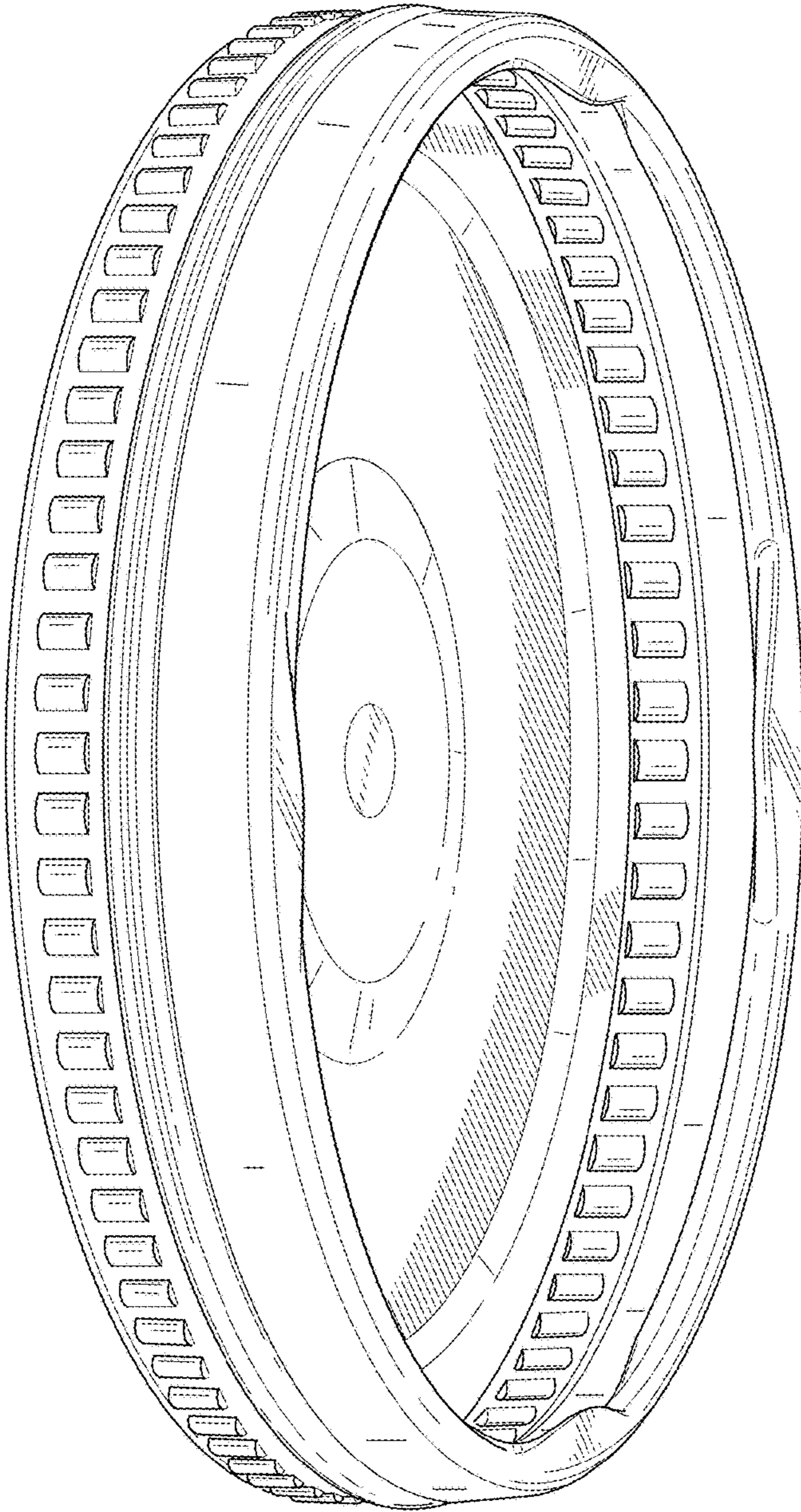
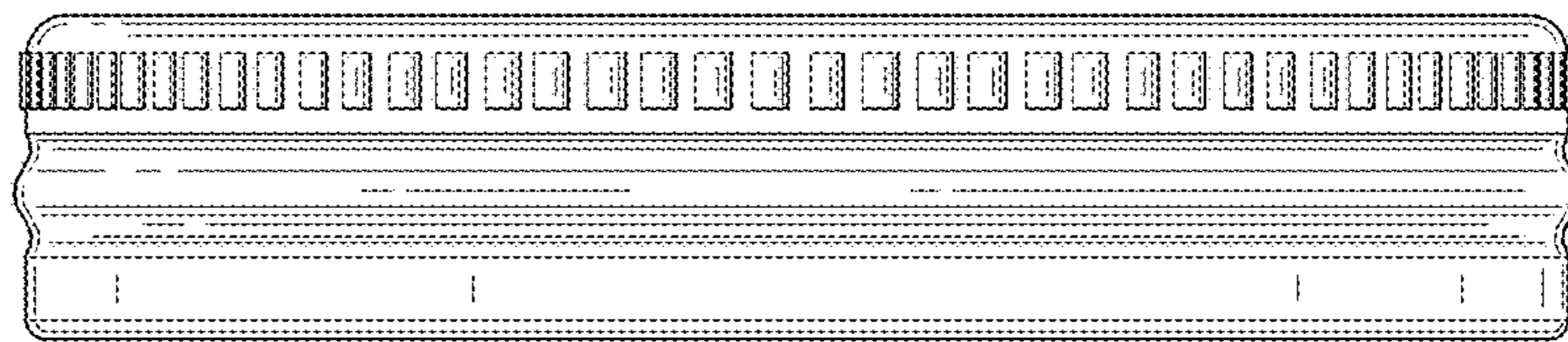
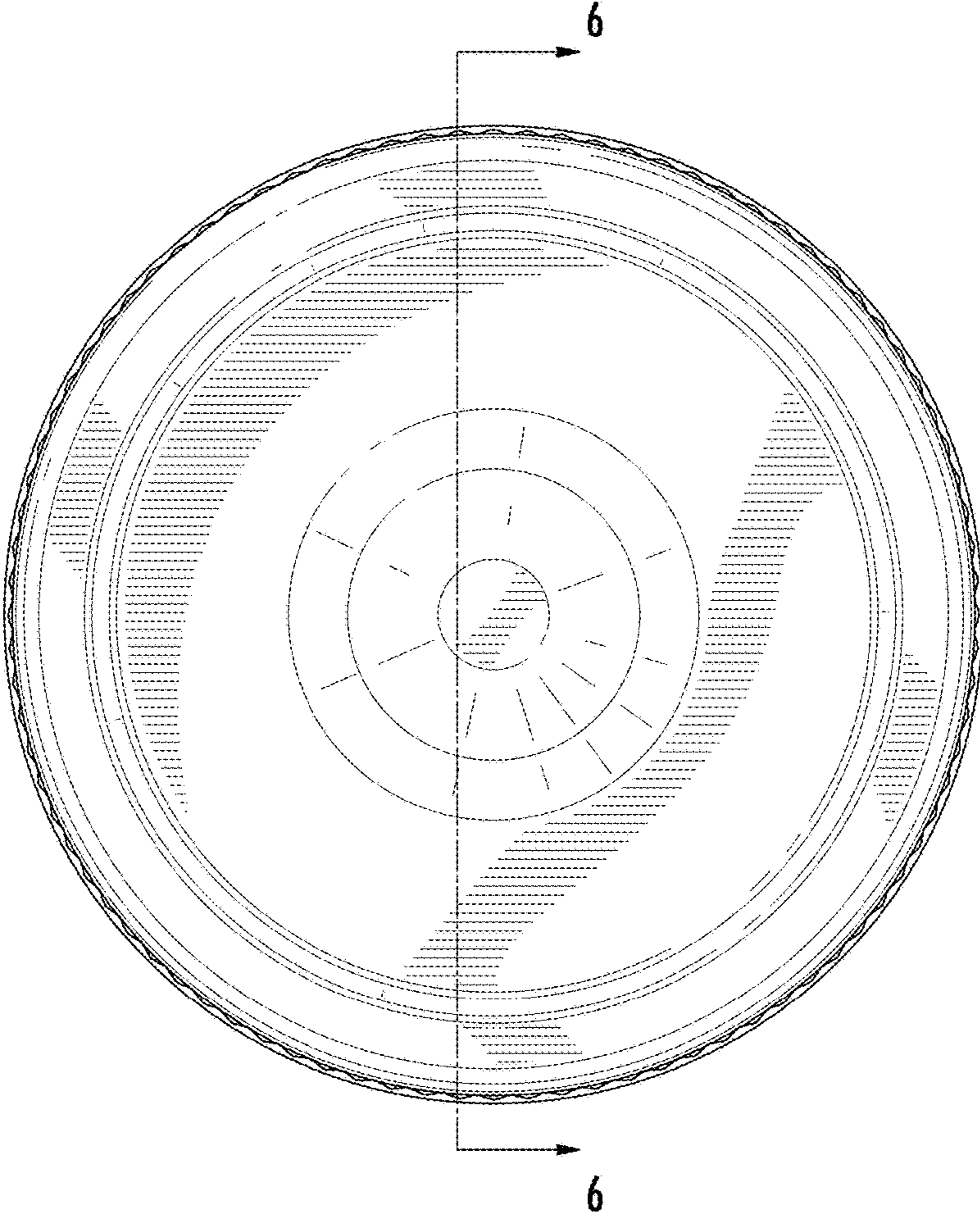


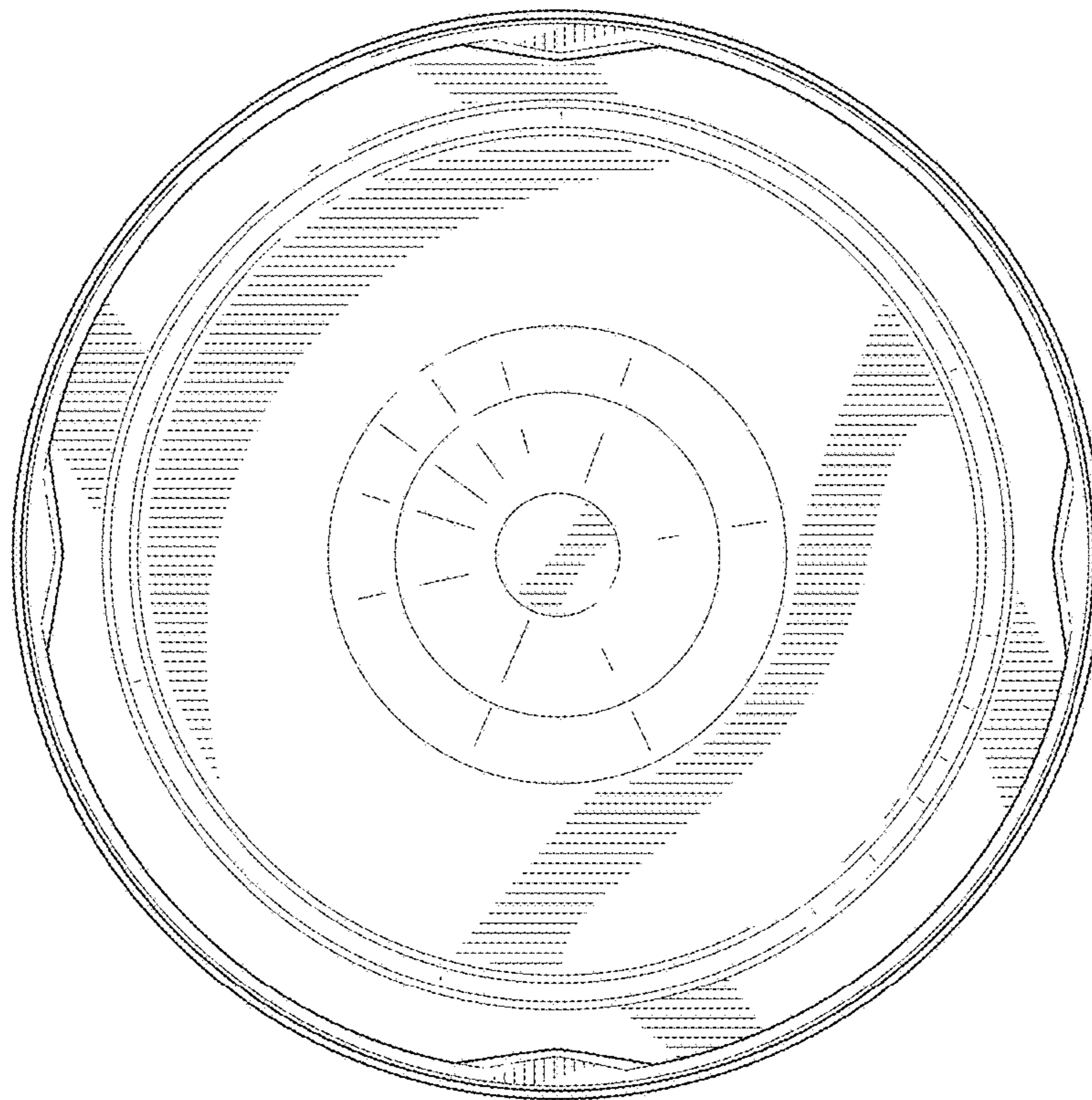
FIG. 2



**FIG. 3**



**FIG. 4**



**FIG. 5**

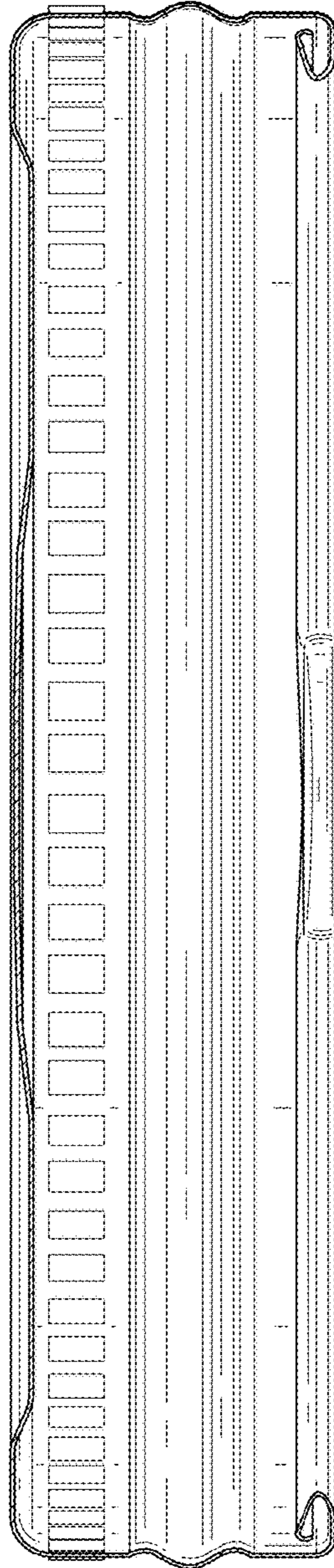


FIG. 6



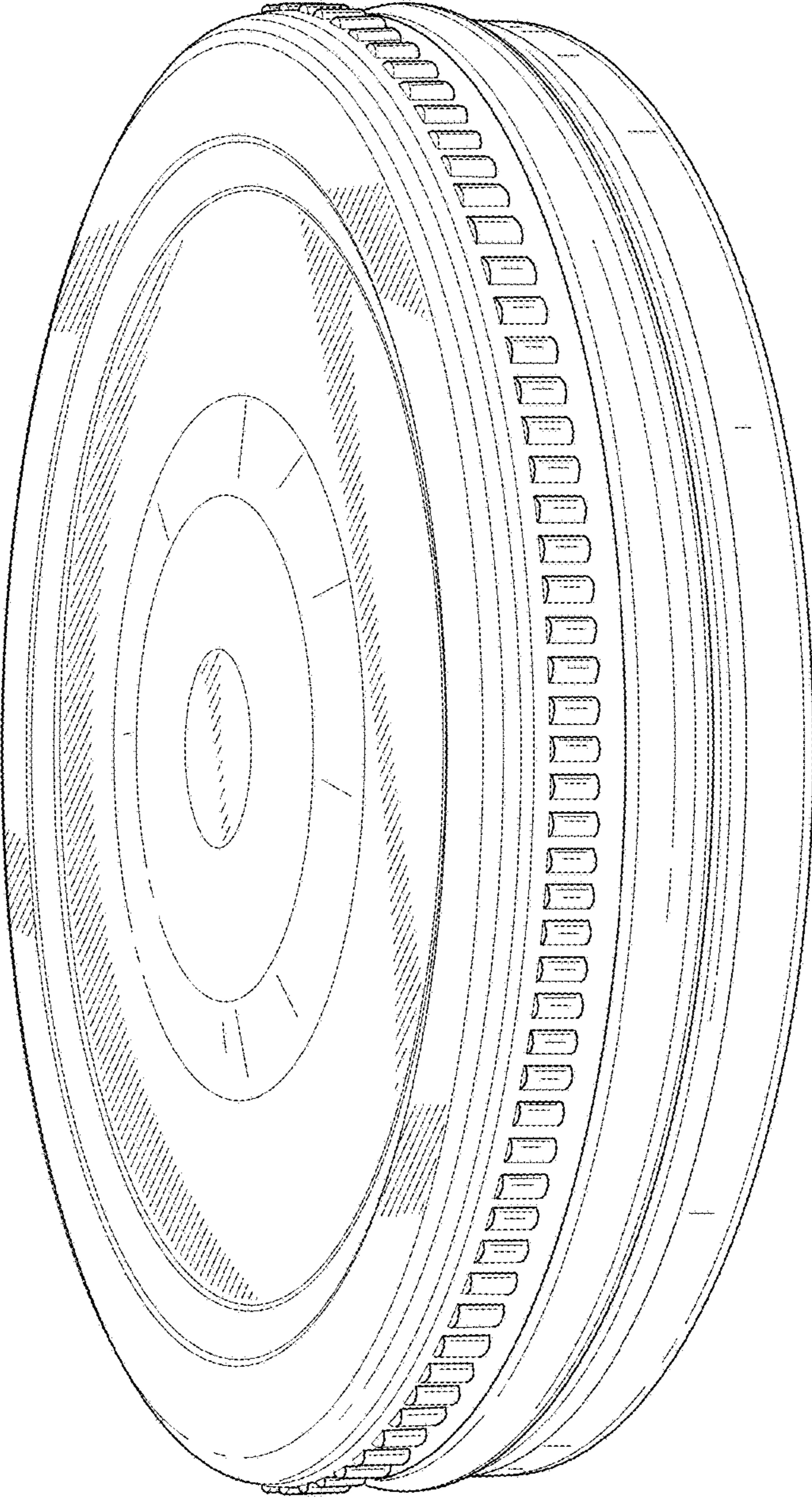


FIG. 7

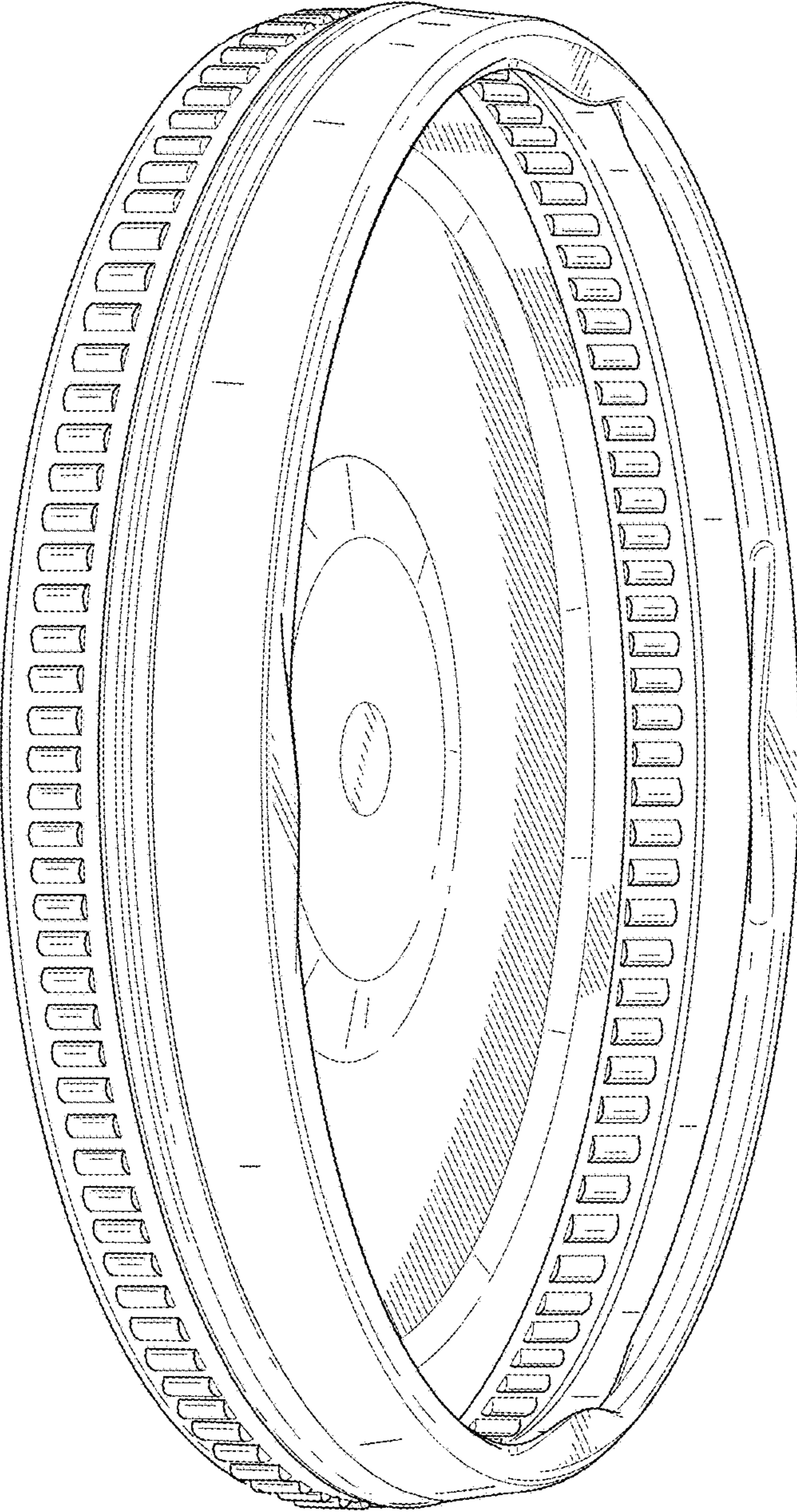
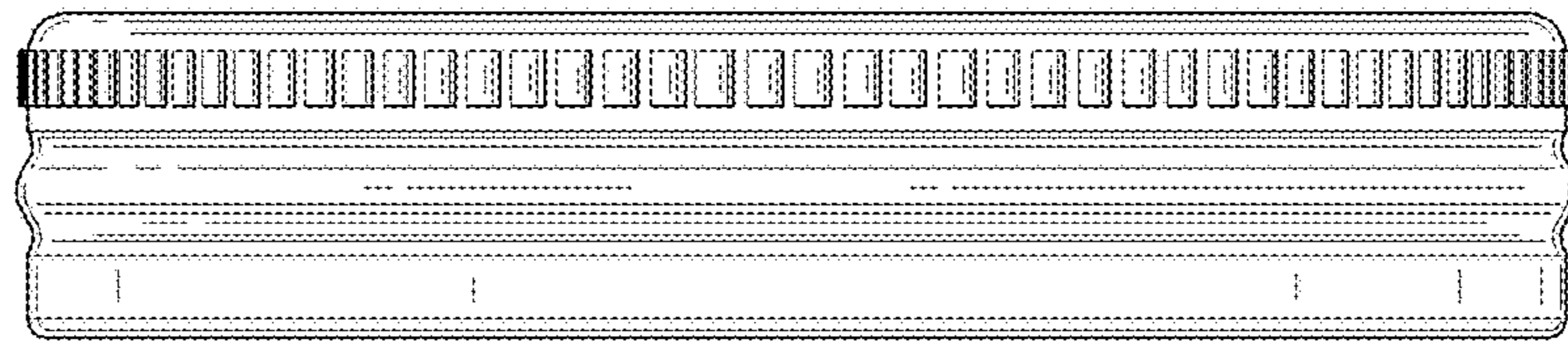


FIG. 8



**FIG. 9**

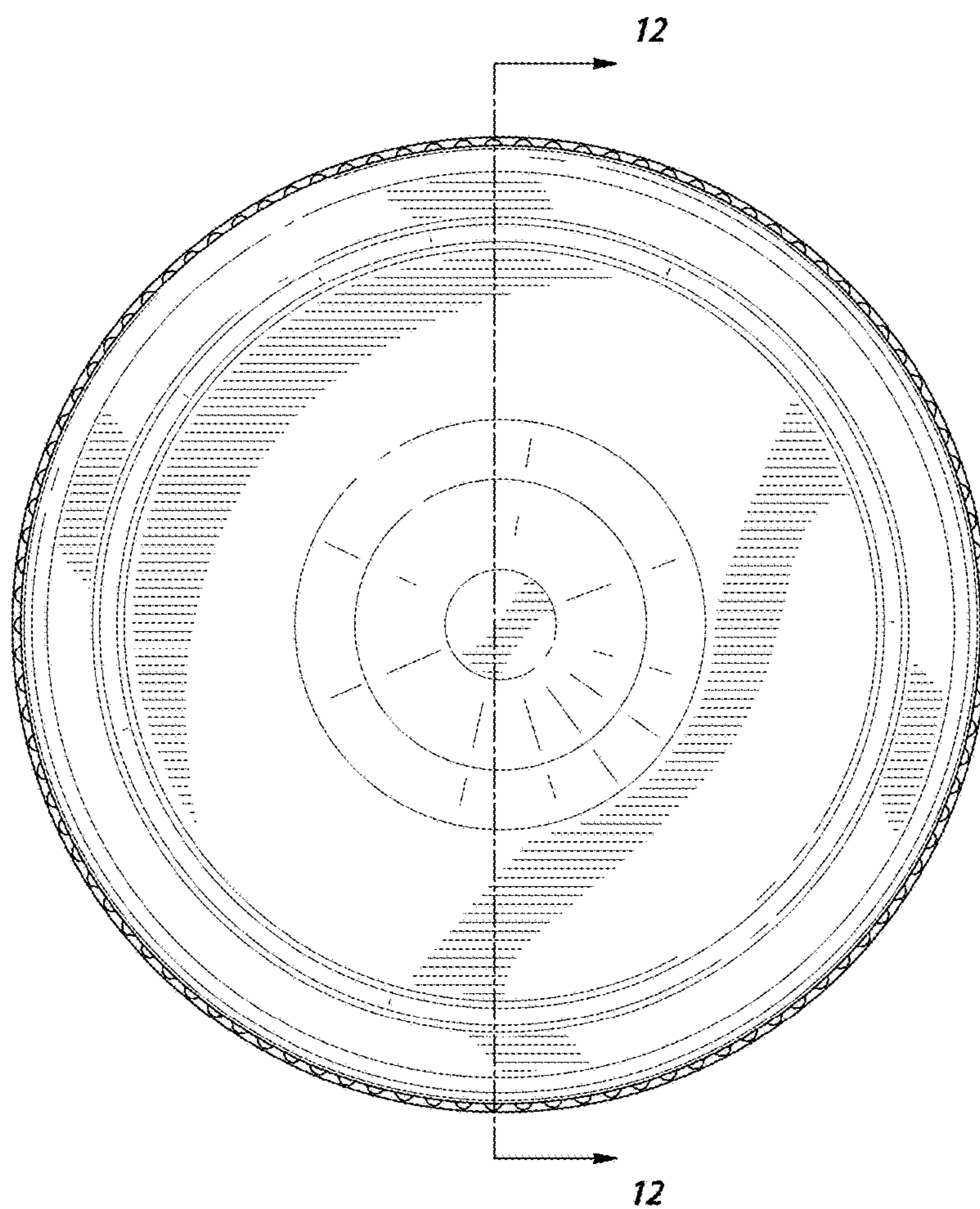
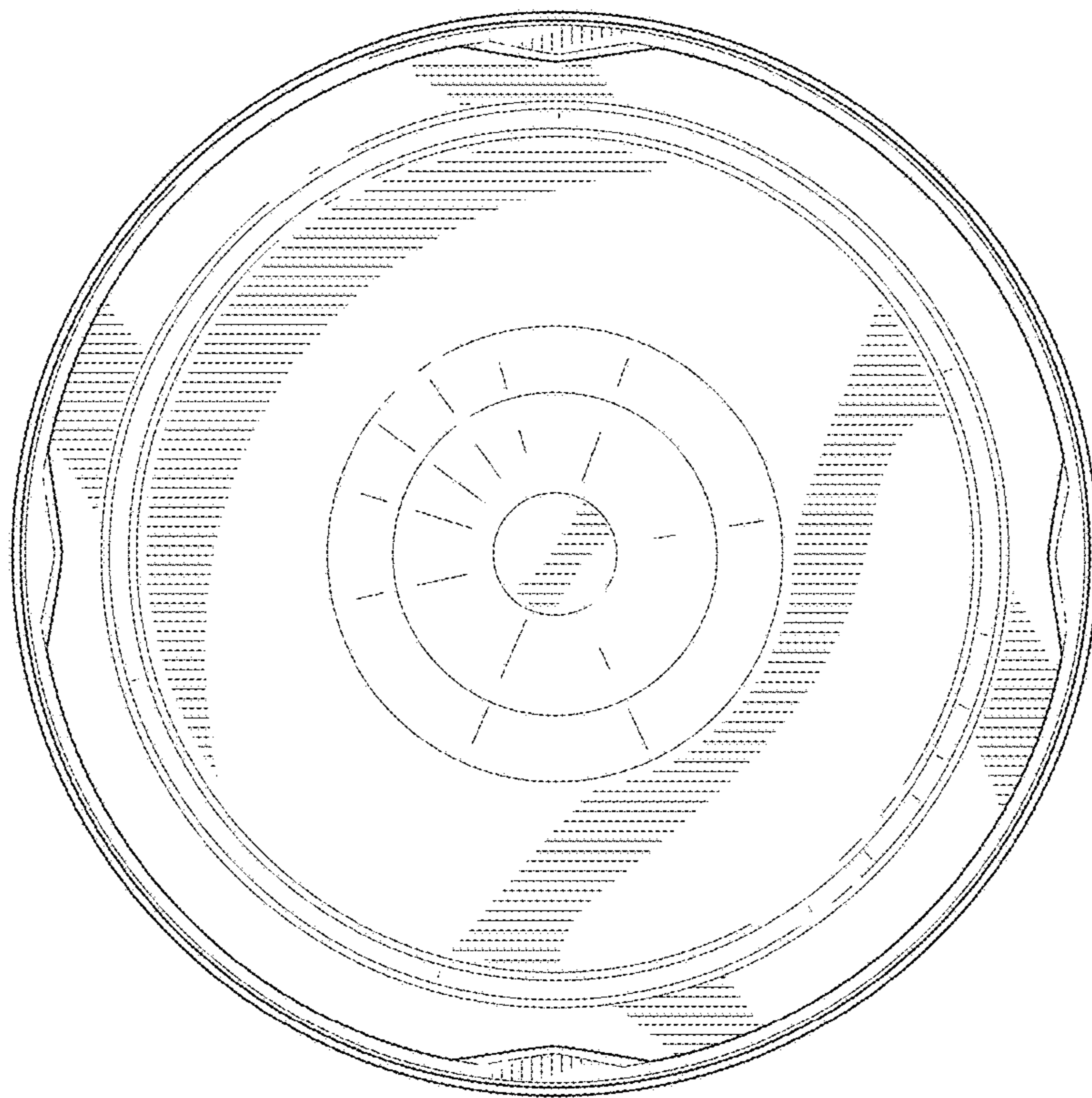


FIG. 10



**FIG. 11**

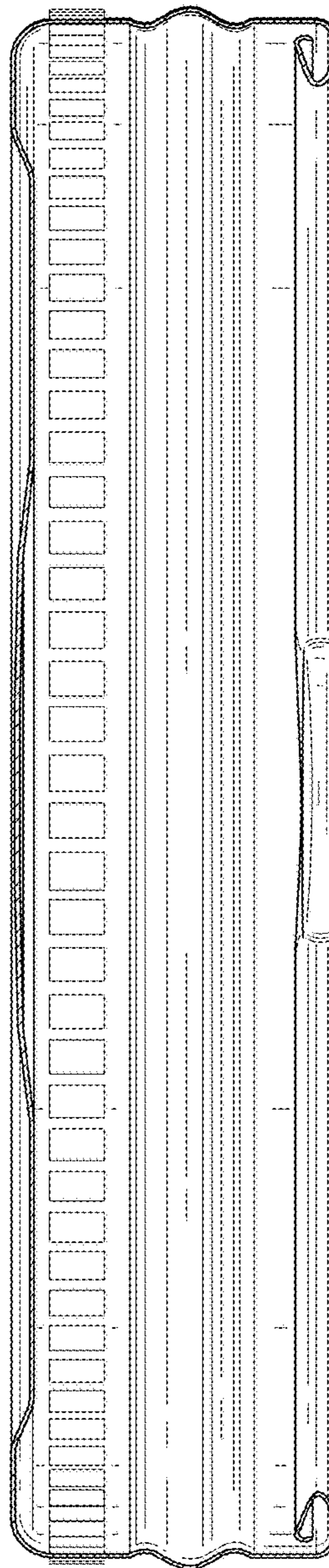


FIG. 12

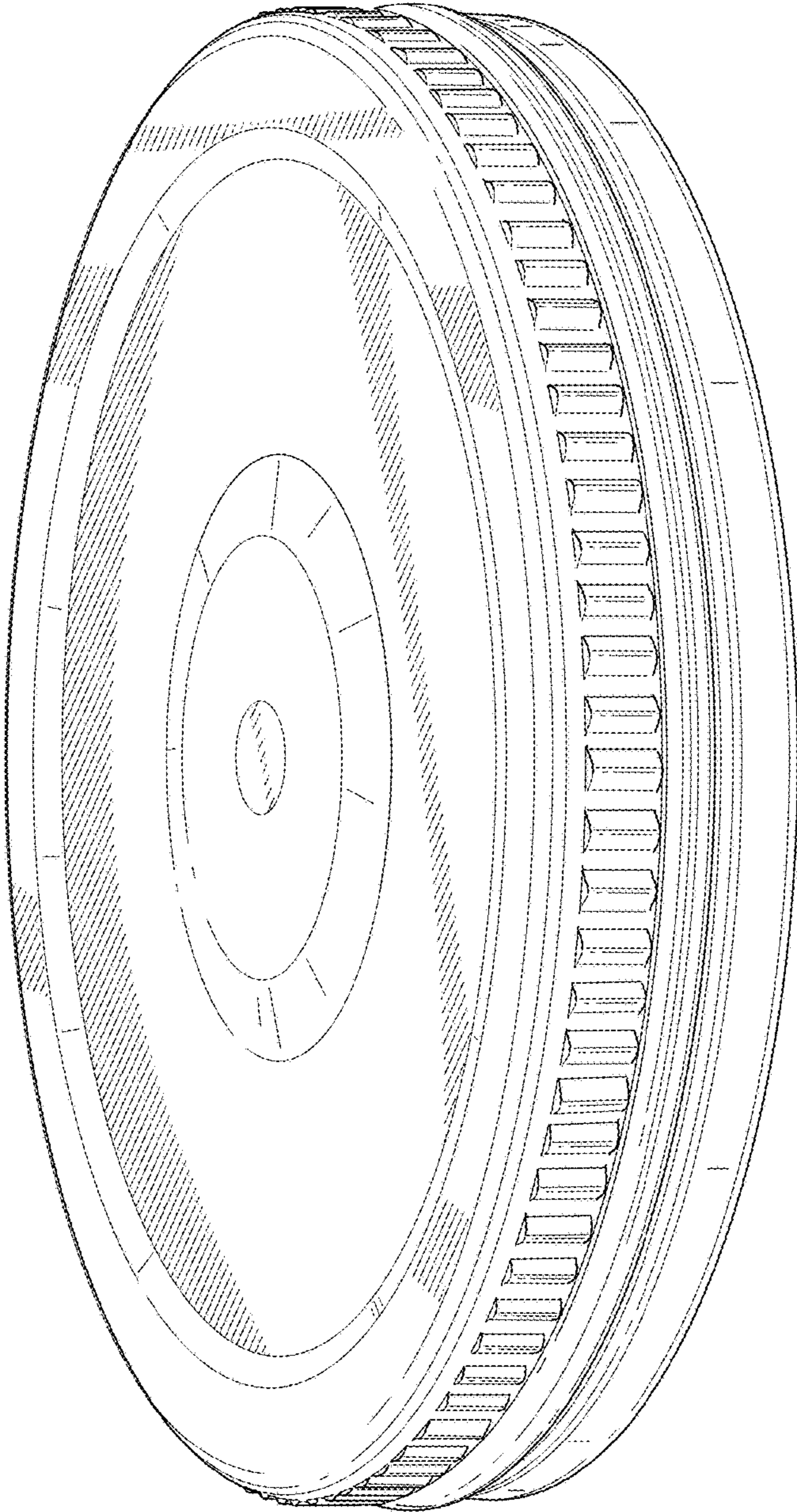


FIG. 13

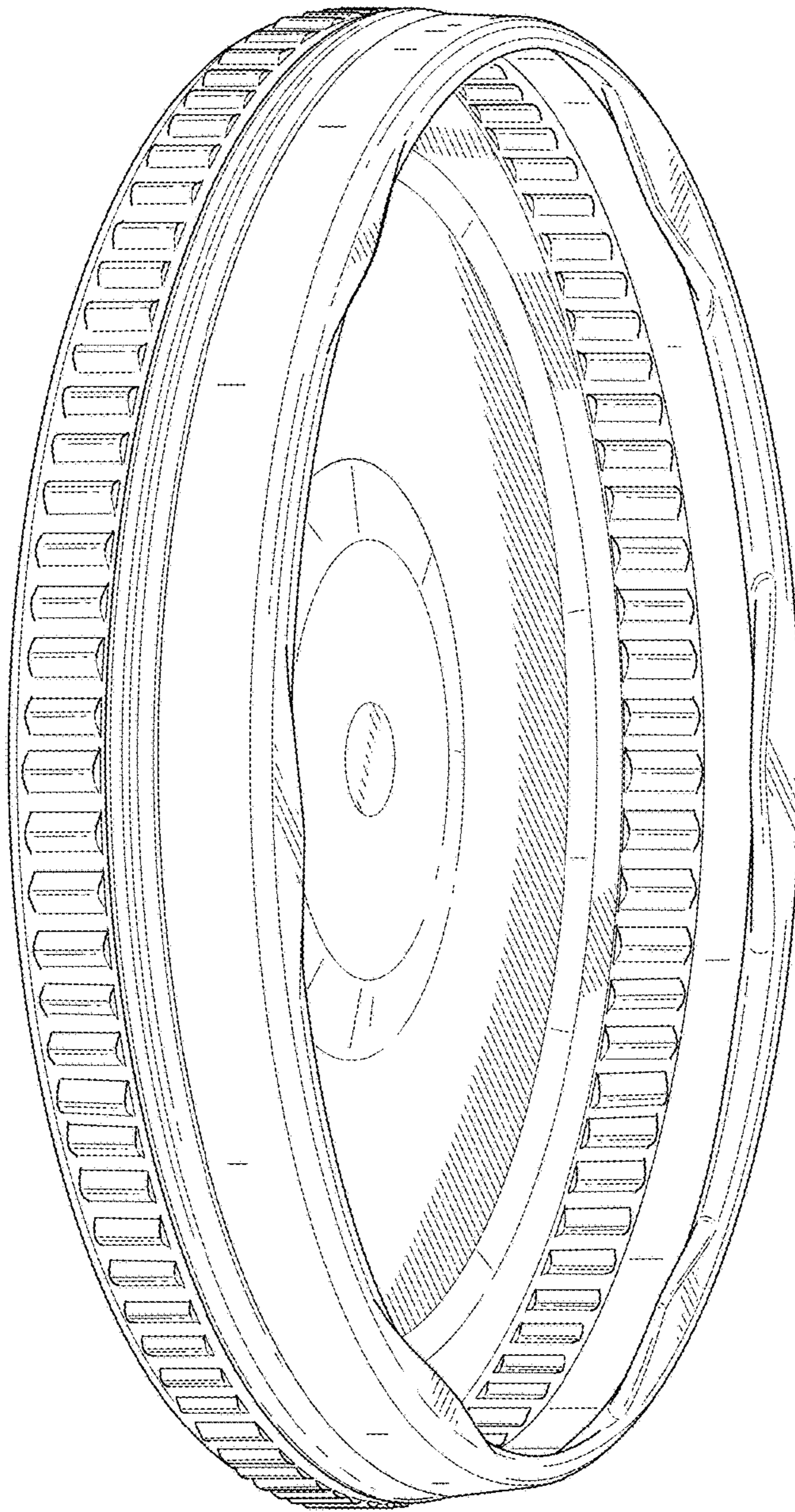
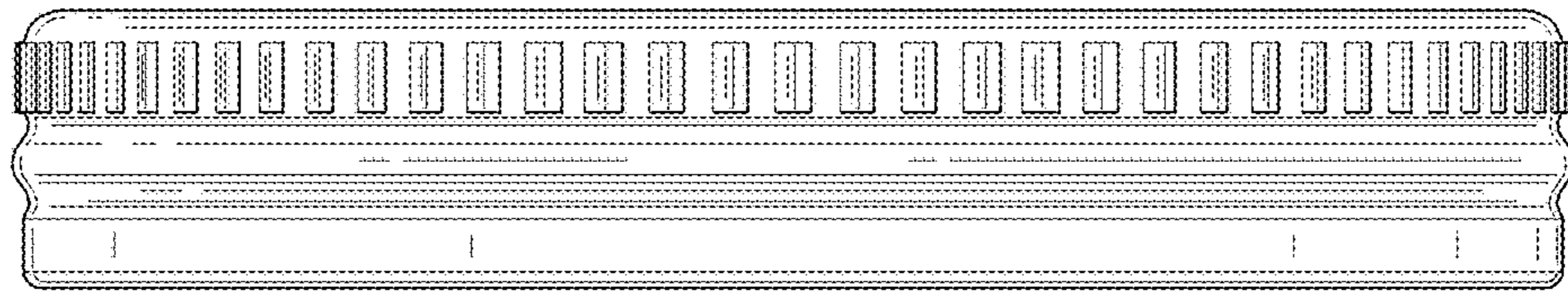


FIG. 14





*FIG. 15*

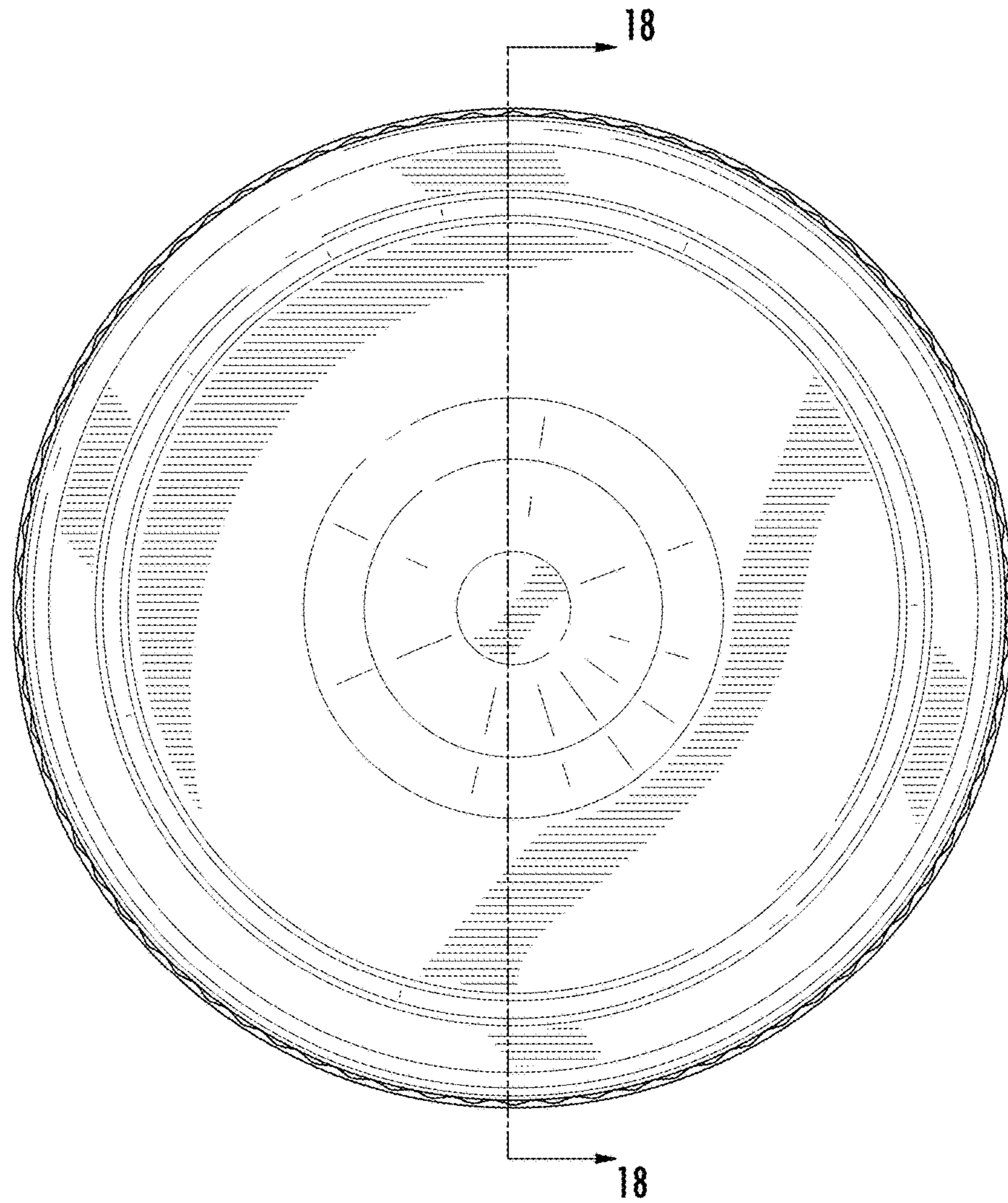


FIG. 16

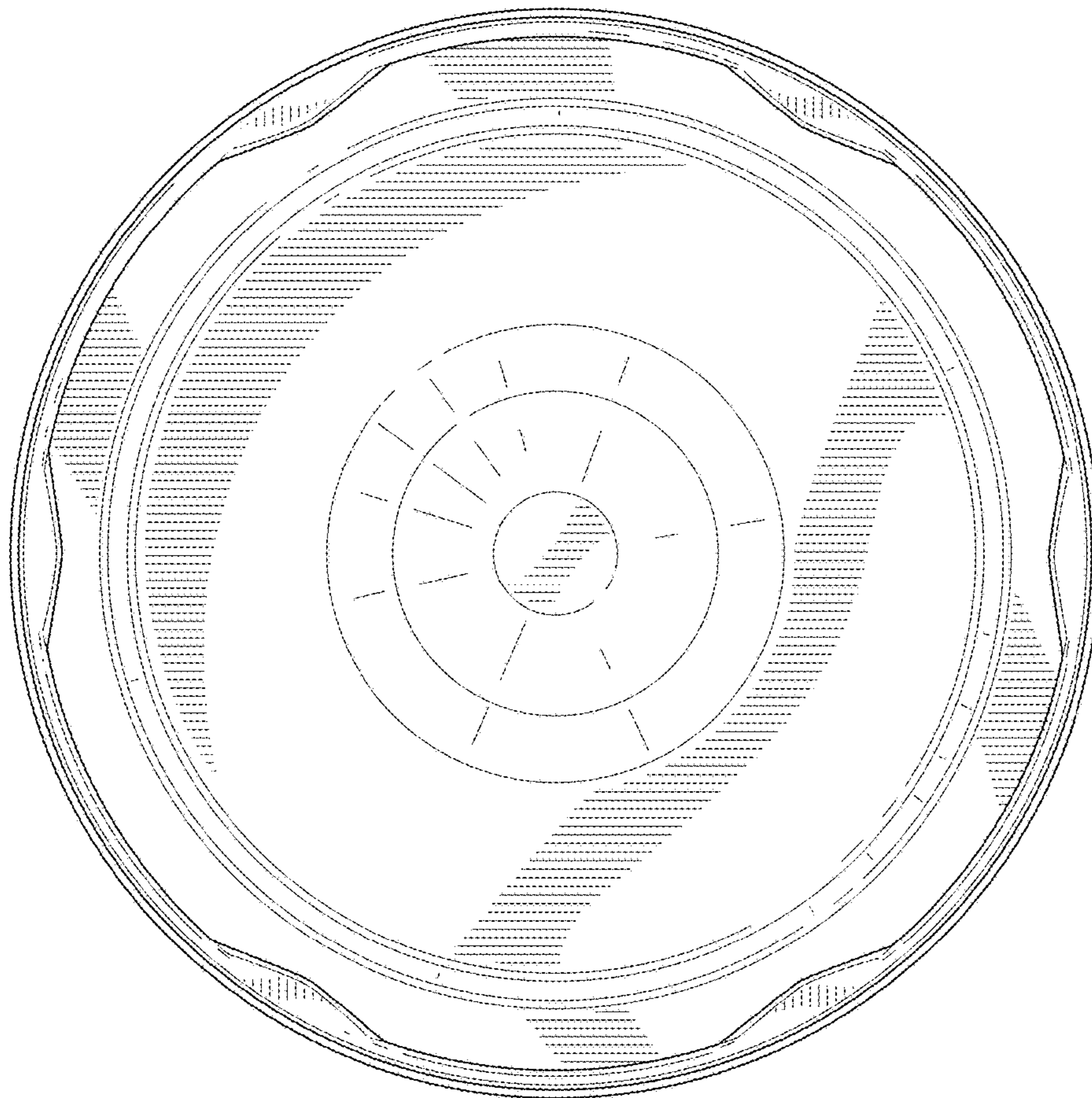


FIG. 17

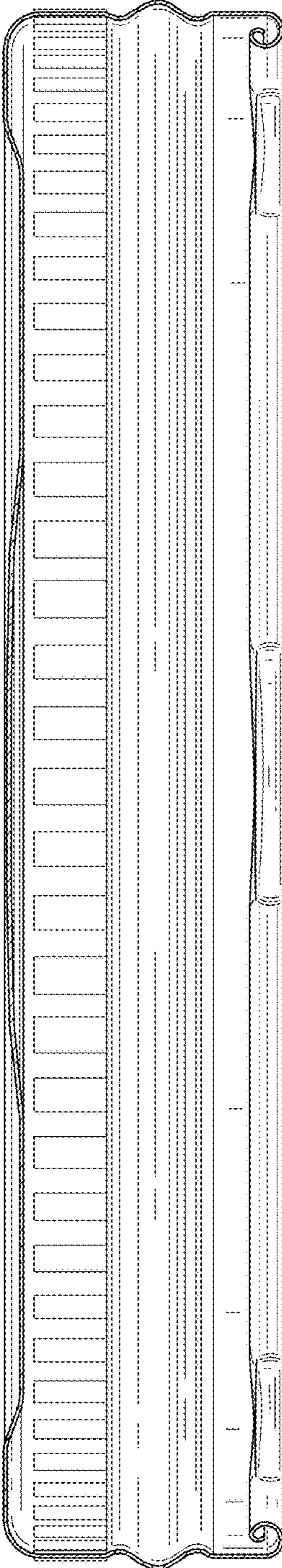


FIG. 18

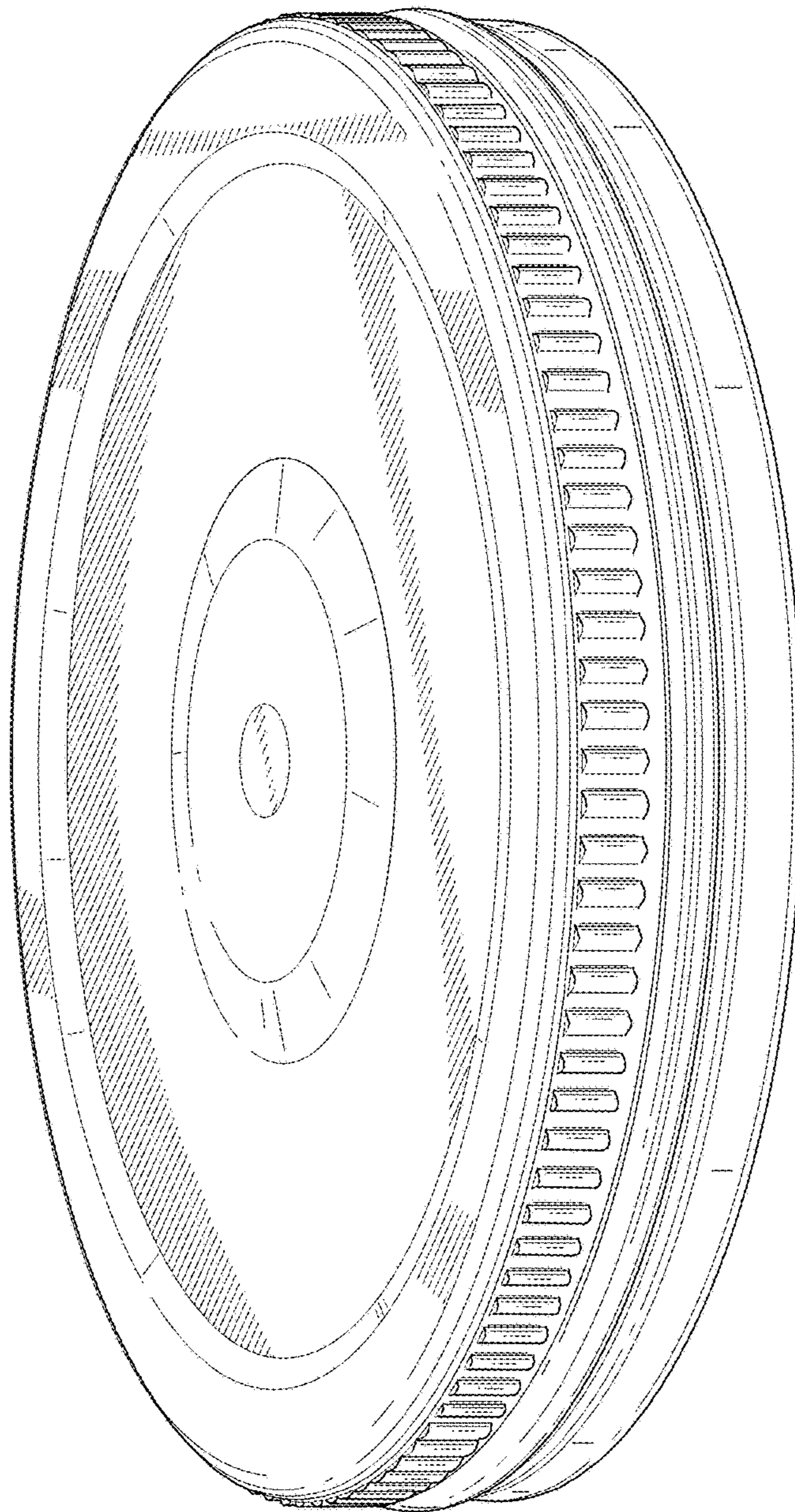


FIG. 19

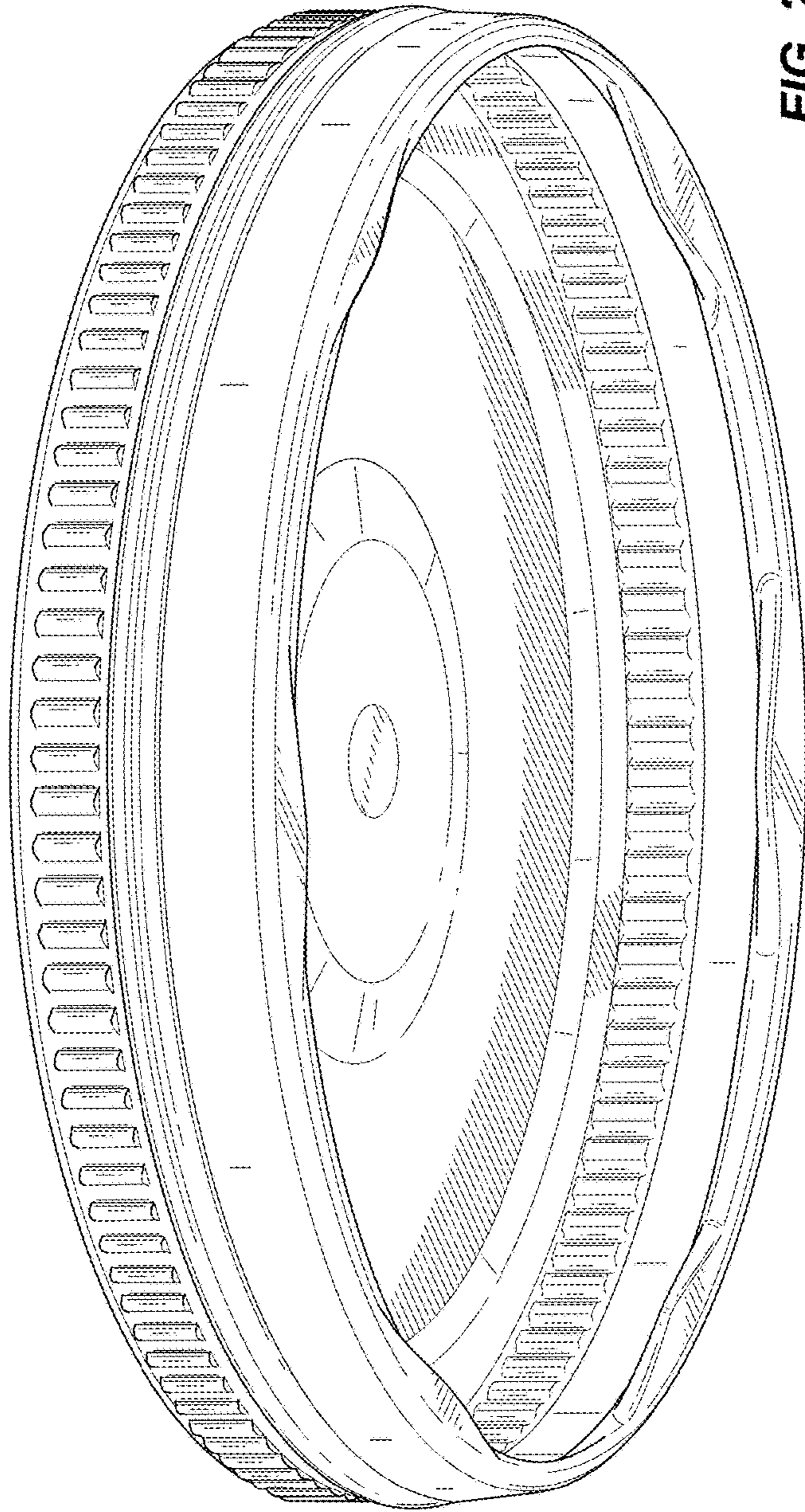
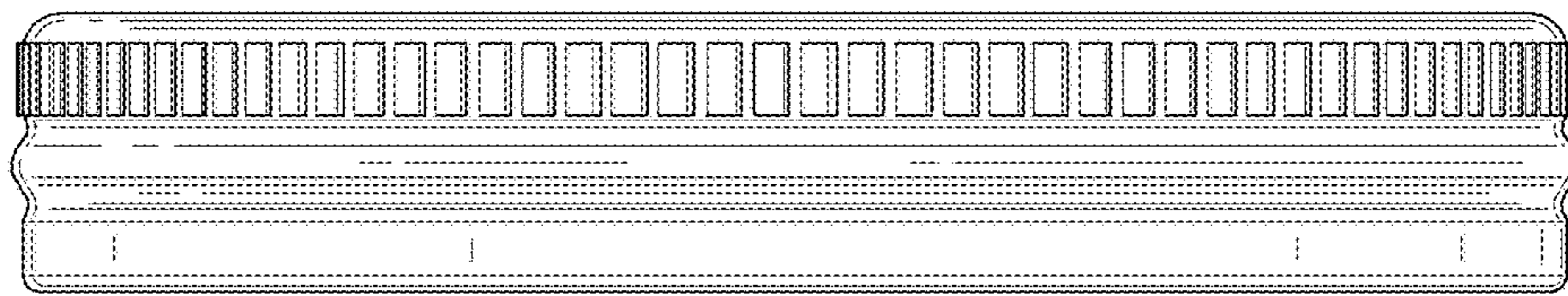


FIG. 20



**FIG. 21**

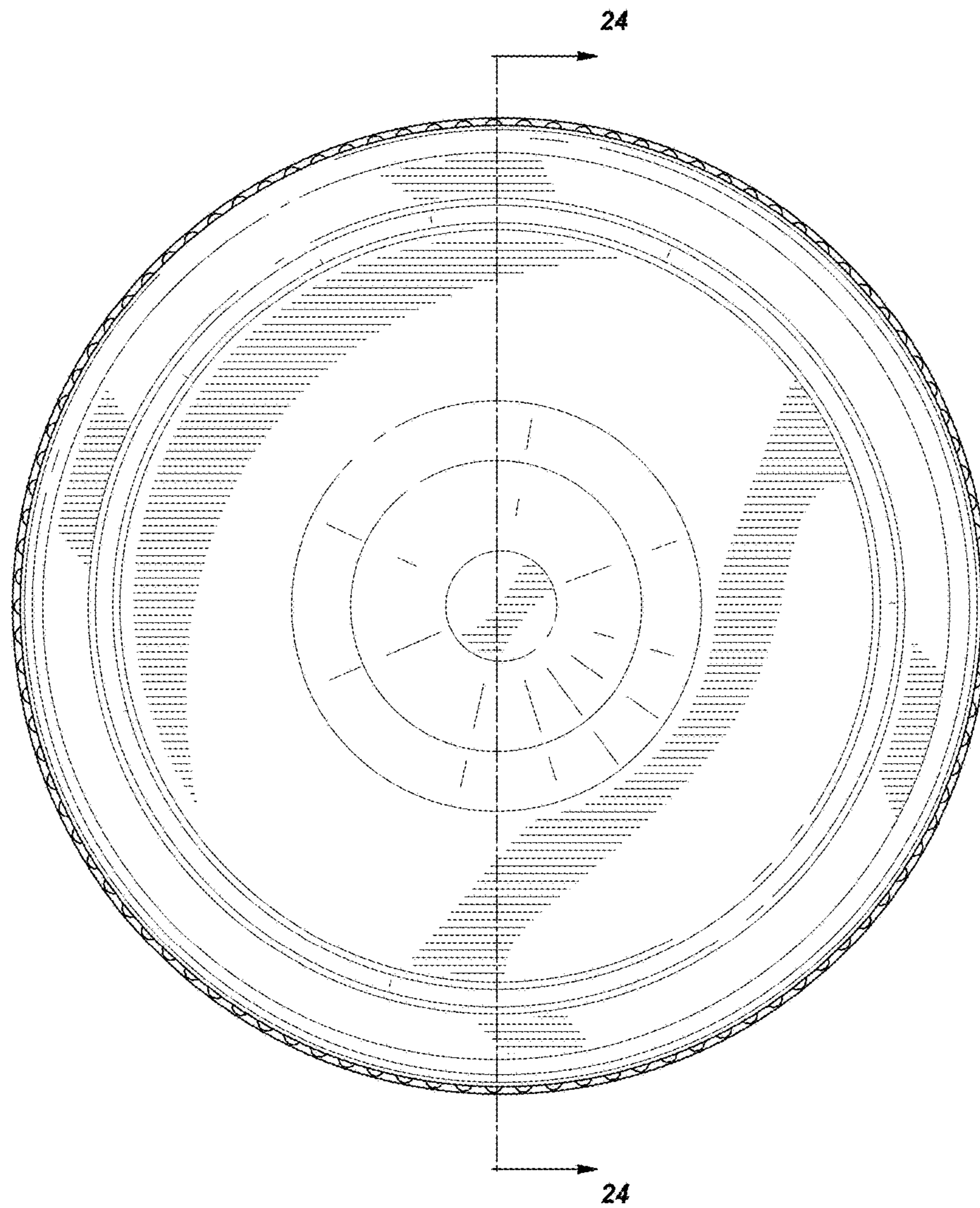
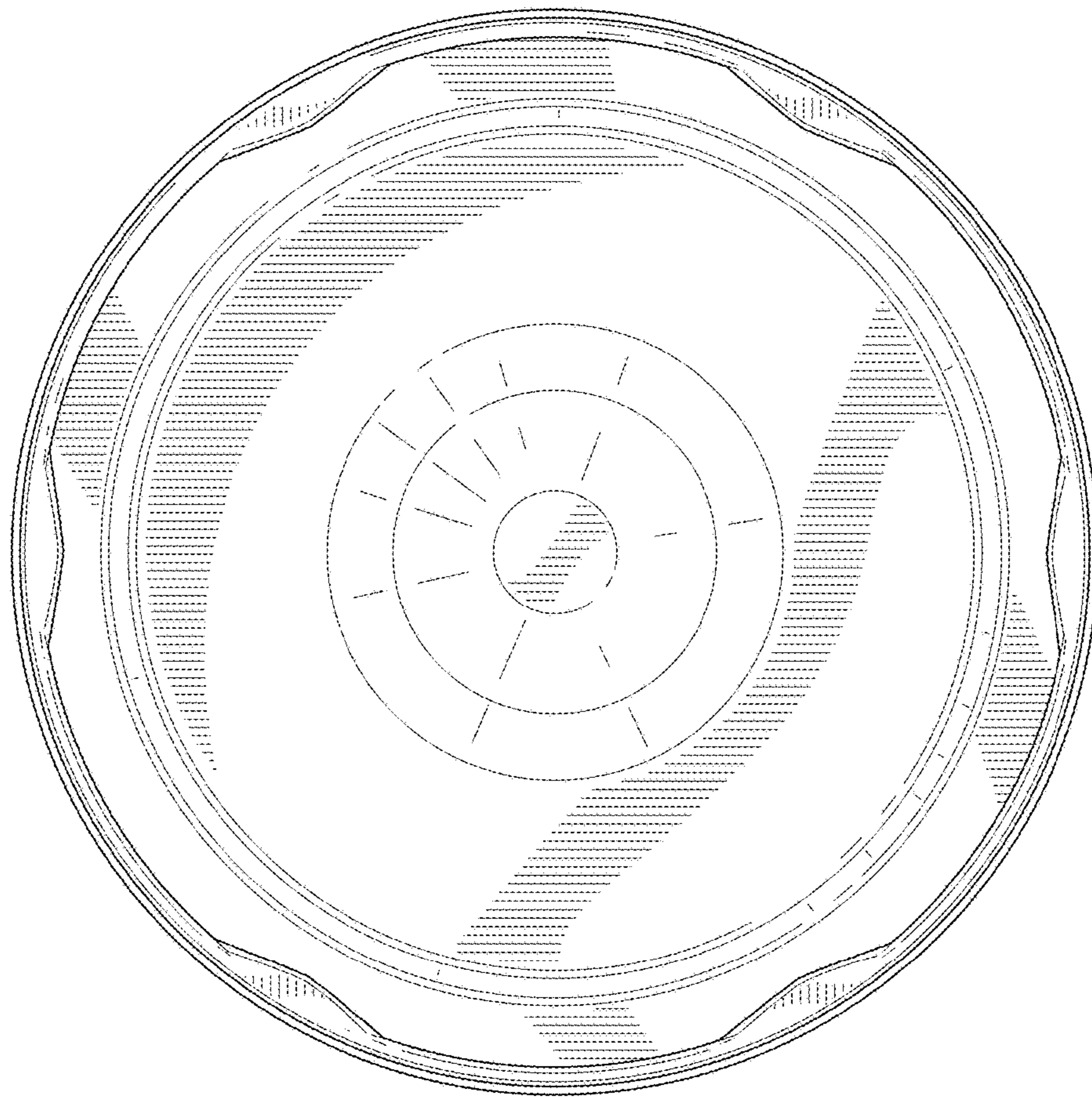


FIG. 22





**FIG. 23**

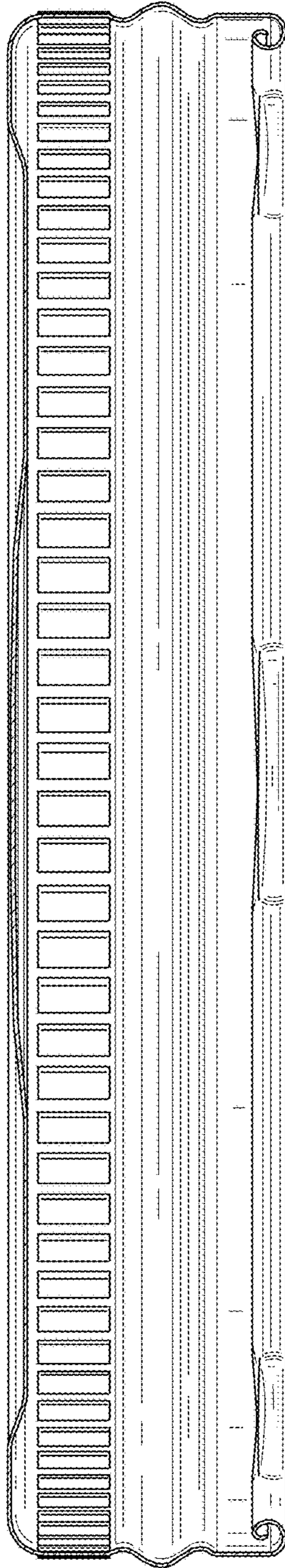


FIG. 24

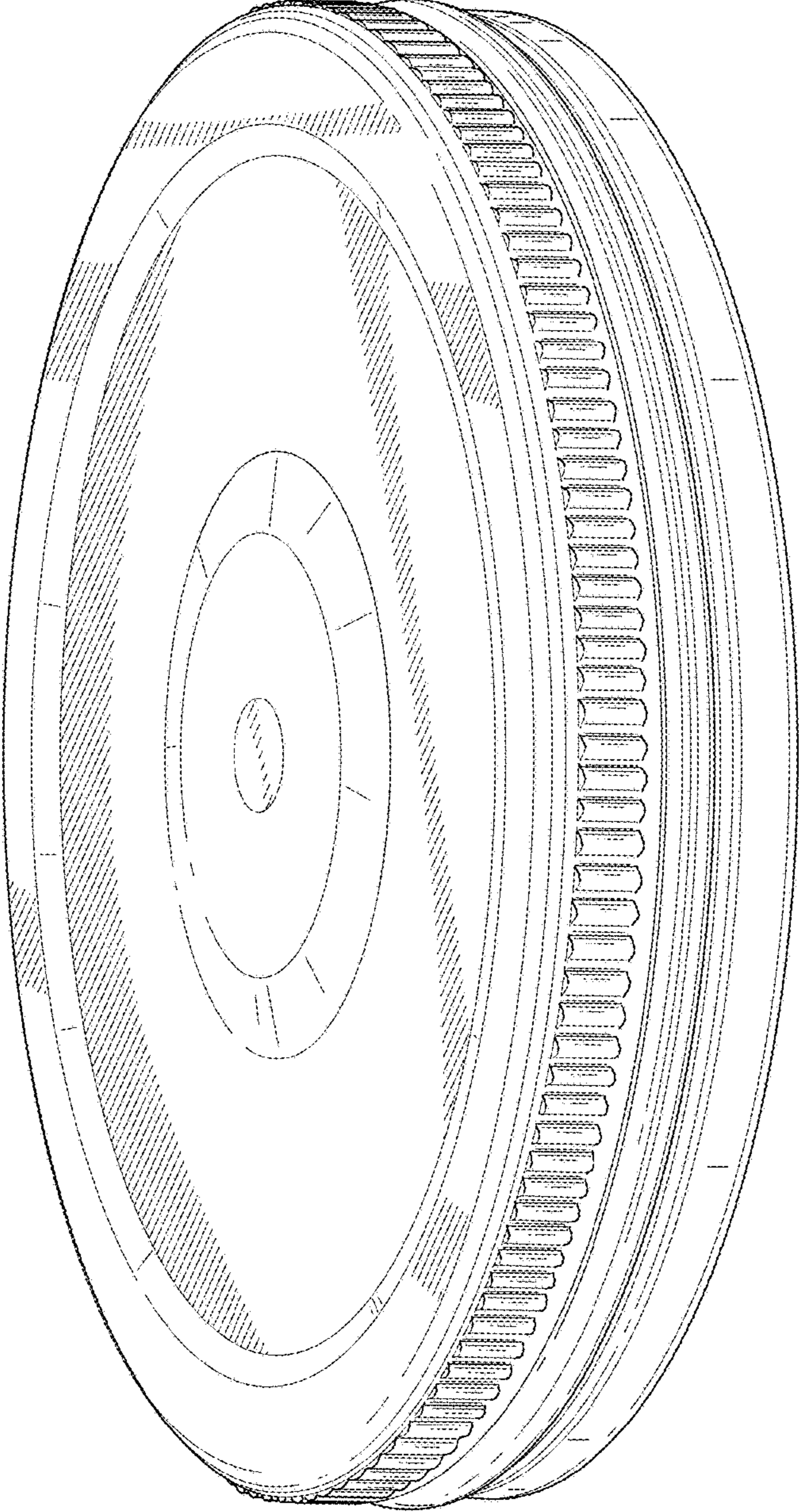


FIG. 25

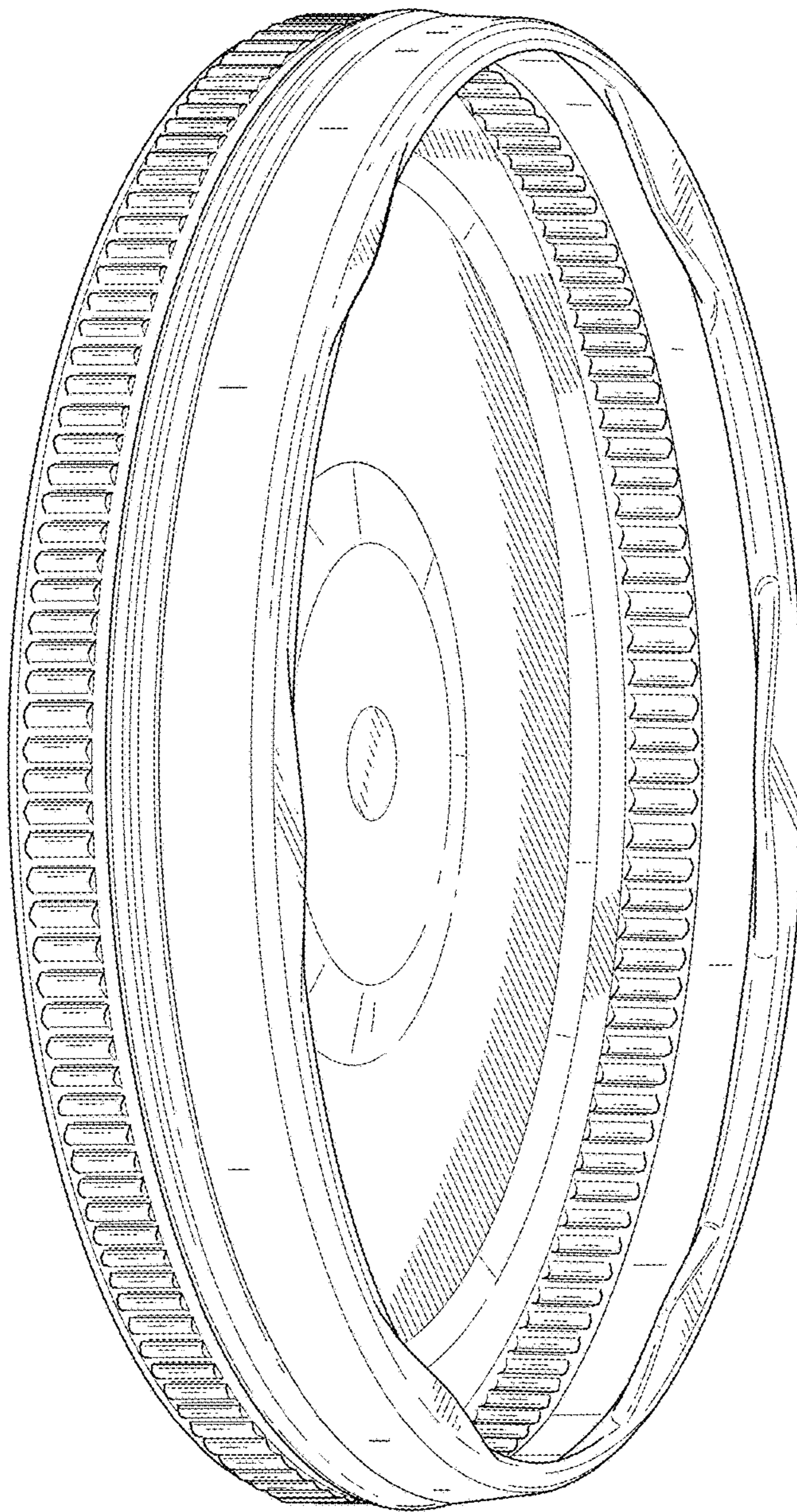
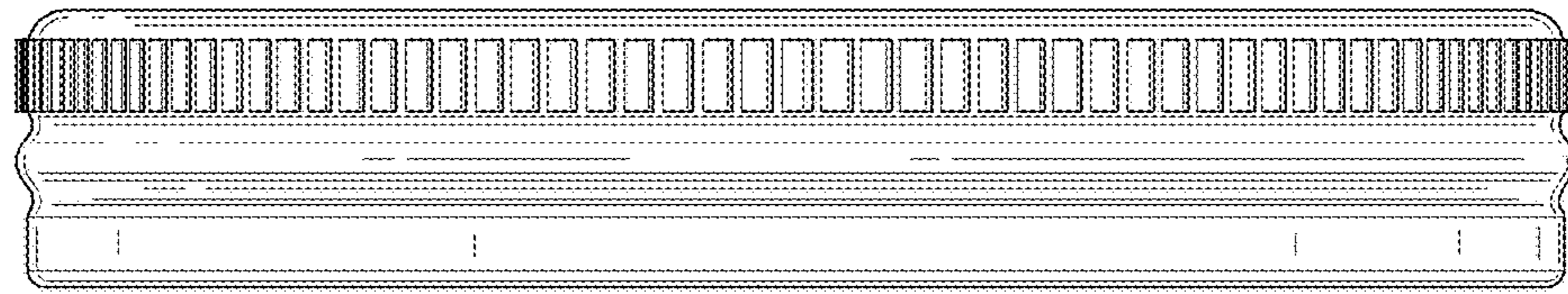


FIG. 26



**FIG. 27**

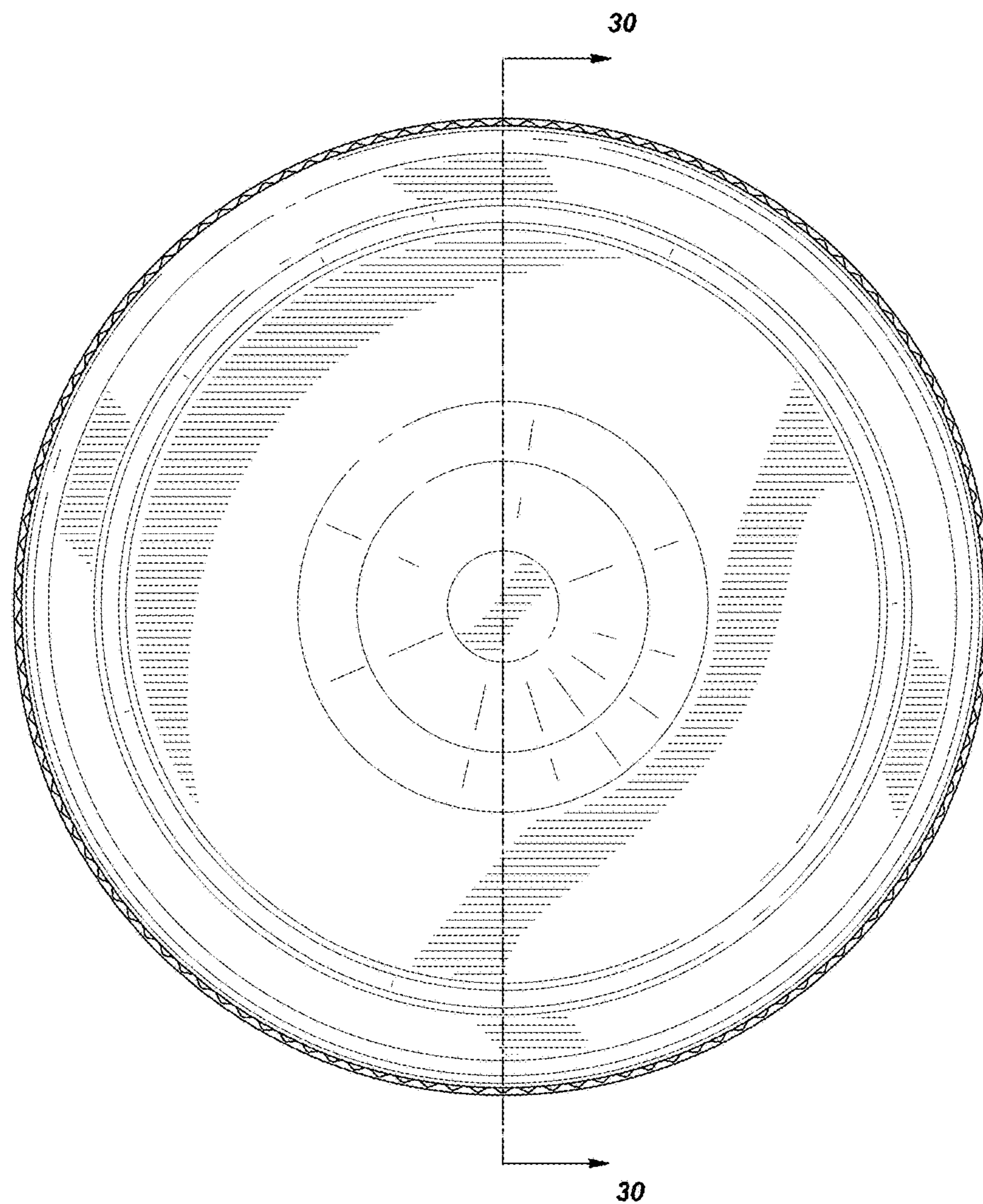
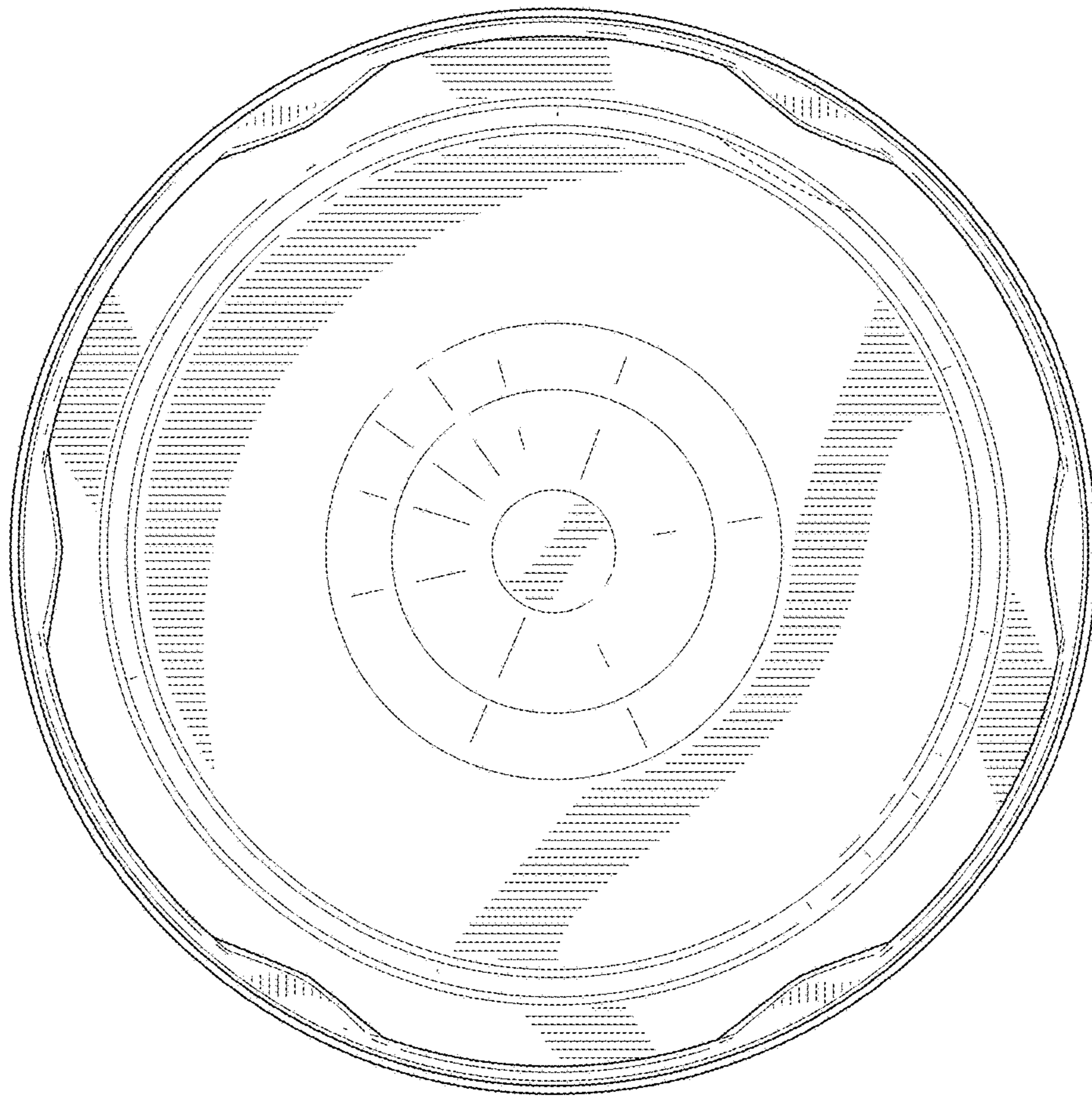


FIG. 28



**FIG. 29**

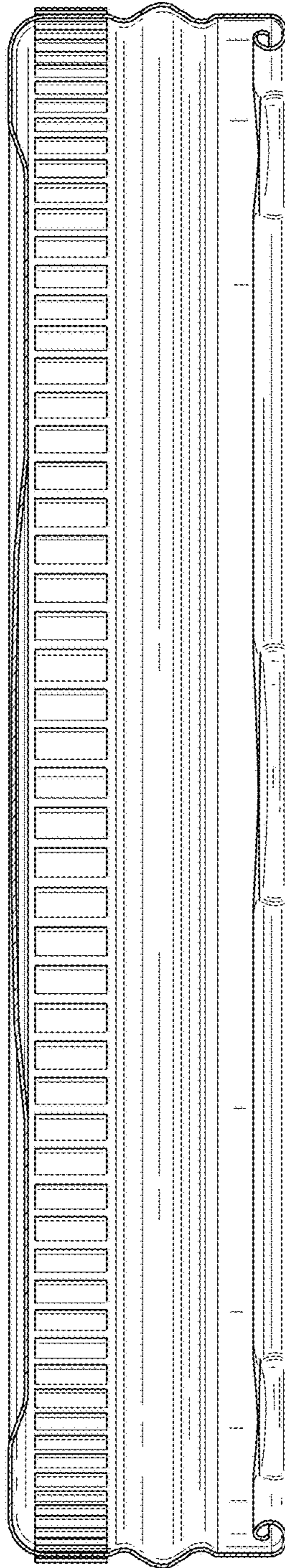


FIG. 30