



US00D861484S

(12) **United States Design Patent**
Patel et al.

(10) **Patent No.:** **US D861,484 S**

(45) **Date of Patent:** **** Oct. 1, 2019**

(54) **BUNDLE OF CONSUMER GOODS**

(71) Applicant: **Kimberly-Clark Worldwide, Inc.**,
Neenah, WI (US)

(72) Inventors: **Shailesh Patel**, Marlboro, NY (US);
Scott Thomas Hamylak, Brookfield,
CT (US); **Everest Francis Doucette,**
III, New Milford, CT (US)

(73) Assignee: **KIMBERLY-CLARK WORLDWIDE,**
INC., Neenah, WI (US)

(**) Term: **15 Years**

(21) Appl. No.: **29/657,560**

(22) Filed: **Jul. 24, 2018**

(51) **LOC (12) Cl.** **09-03**

(52) **U.S. Cl.**
USPC **D9/432; D9/734**

(58) **Field of Classification Search**
USPC D9/414-423, 430-433, 454, 456, 457,
D9/600, 667, 711, 713, 721-722, 734,
D9/756; D20/10, 22

(Continued)

(56) **References Cited**

U.S. PATENT DOCUMENTS

D150,814 S * 8/1948 Smith D9/756
3,113,673 A * 12/1963 Stein B65D 5/4275
206/813

(Continued)

FOREIGN PATENT DOCUMENTS

CN 0N105877582 A 8/2016
DE 10026269 A1 11/2001
KR 20140121084 A 10/2014

OTHER PUBLICATIONS

VC2199 100 sheets box tissue. [online] Retrieved Jun. 19, 2019
from URL: <https://www.globalmarket.com/product-info/vc2199-100-sheets-box-tissue-2491651.html>.*

(Continued)

Primary Examiner — Vy N Koenig

(74) *Attorney, Agent, or Firm* — Kimberly-Clark
Worldwide, Inc.

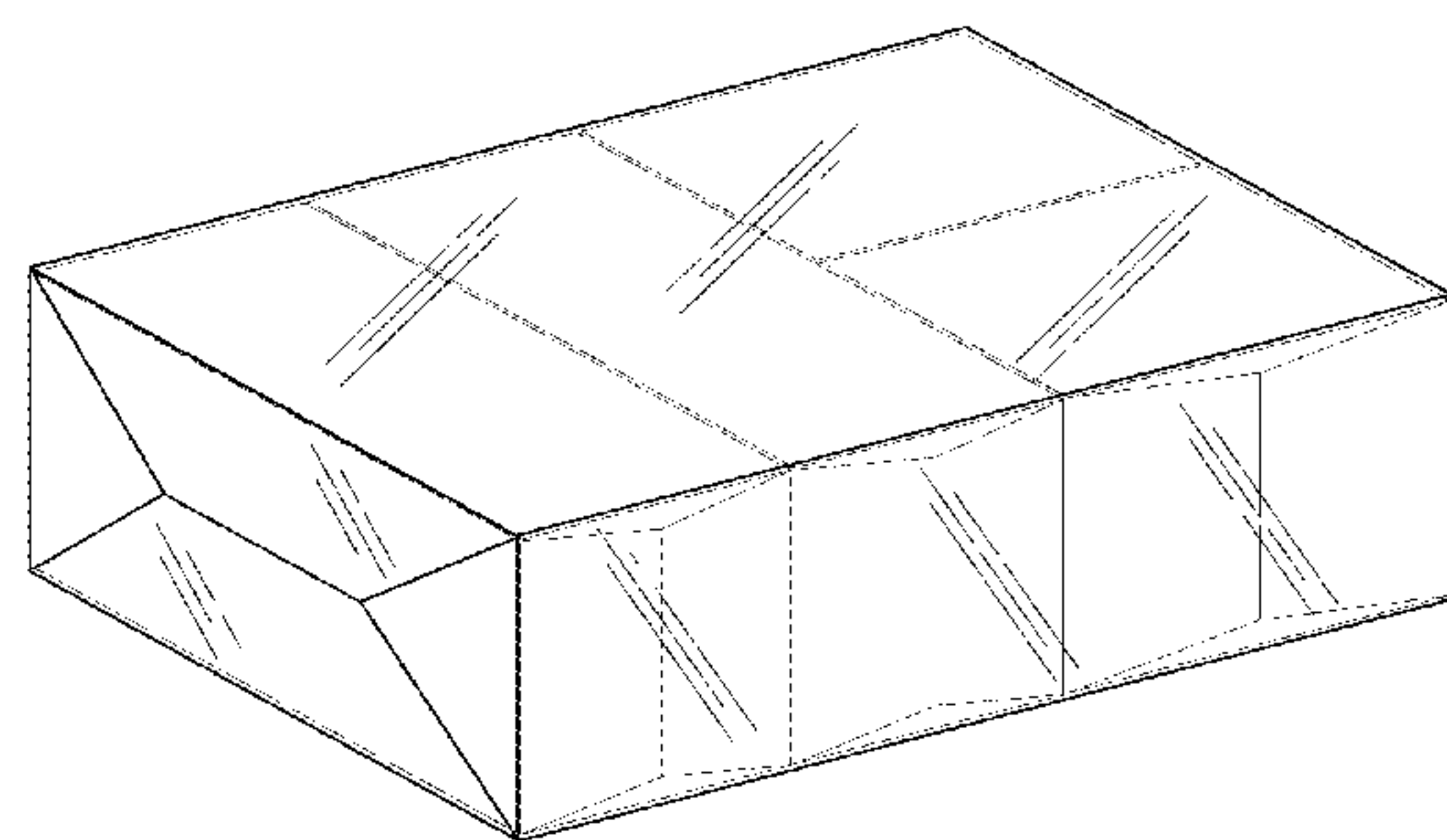
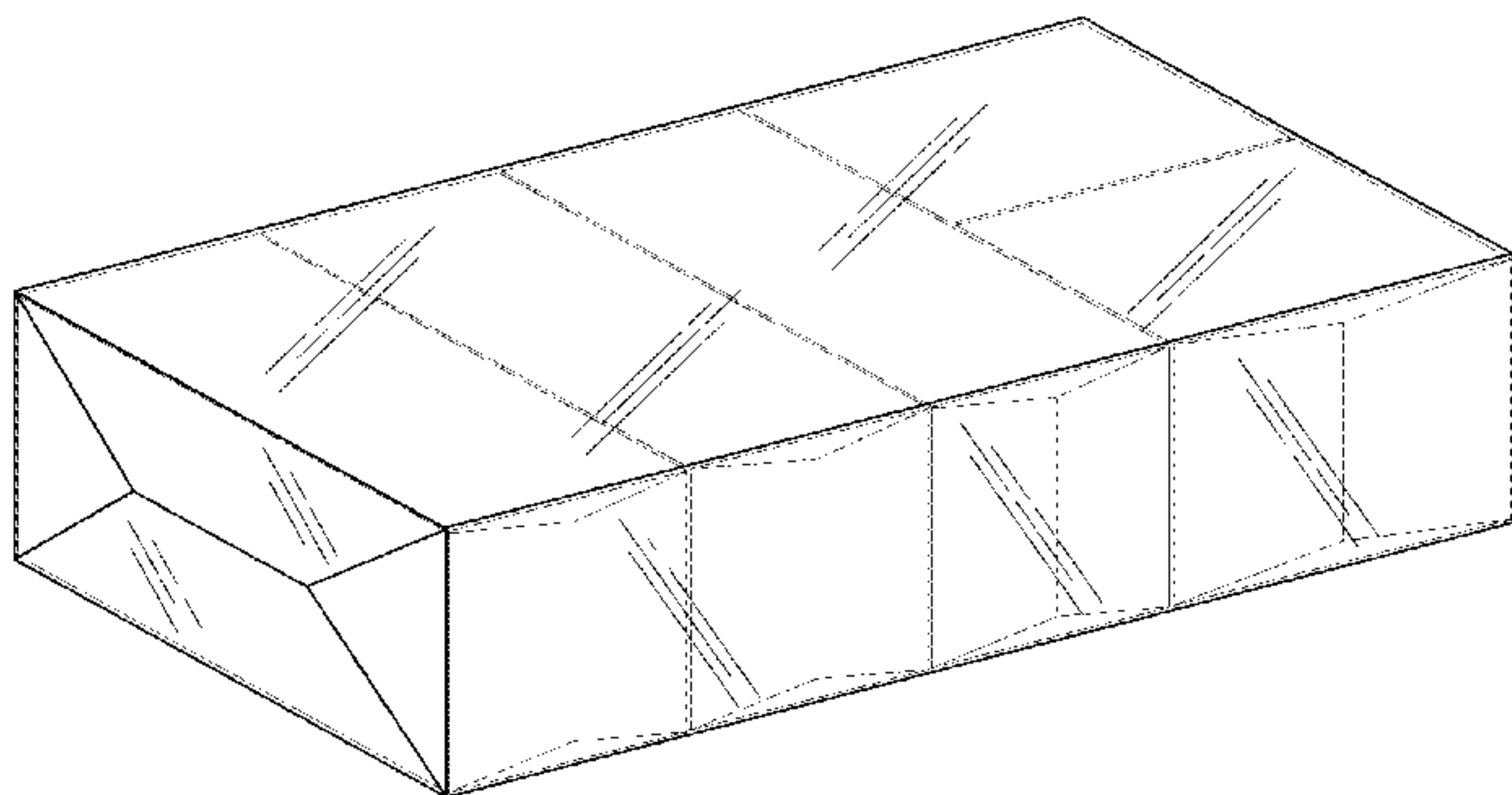
(57) **CLAIM**

We claim the ornamental design for a bundle of consumer goods, as shown and described herein.

DESCRIPTION

FIG. 1 is a front perspective view of a bundle of consumer goods showing our new design;
FIG. 2 is a front view of the bundle of FIG. 1;
FIG. 3 is a side view of the bundle of FIG. 1;
FIG. 4 is a top side view of the bundle of FIG. 1;
FIG. 5 is a bottom view of the bundle of FIG. 1;
FIG. 6 is a front perspective view of a bundle of consumer goods showing our new design according to a second embodiment;
FIG. 7 is a front view of the bundle of FIG. 6;
FIG. 8 is a side view of the bundle of FIG. 6;
FIG. 9 is a top view of the bundle of FIG. 6;
FIG. 10 is a bottom view of the bundle of FIG. 6;
FIG. 11 is a front perspective view of a bundle of consumer goods showing our new design according to a third embodiment;
FIG. 12 is a front view of the bundle of FIG. 11;
FIG. 13 is a side view of the bundle of FIG. 11;
FIG. 14 is a top view of the bundle of FIG. 11;
FIG. 15 is a bottom view of the bundle of FIG. 11;
FIG. 16 is a front perspective view of a bundle of consumer goods showing our new design according to a fourth embodiment;
FIG. 17 is a front view of the bundle of FIG. 16;
FIG. 18 is a side view of the bundle of FIG. 16;
FIG. 19 is a top view of the bundle of FIG. 16; and,
FIG. 20 is a bottom view of the bundle of FIG. 16.

1 Claim, 16 Drawing Sheets



US D861,484 S

Page 2

- (58) **Field of Classification Search**
CPC ... B65D 5/00; B65D 5/02; B65D 5/18; B65D
5/20
See application file for complete search history.

(56) **References Cited**

U.S. PATENT DOCUMENTS

3,493,106 A * 2/1970 Galli B65D 71/08
206/497
3,627,116 A * 12/1971 Cooper B65D 71/10
206/497
D266,224 S * 9/1982 Bronander, Jr. D9/721
4,426,825 A 1/1984 Nordstrom
4,651,500 A 3/1987 Chaffey
4,932,534 A * 6/1990 Focke B65D 5/5495
206/273
5,419,098 A 5/1995 Meier
5,555,982 A * 9/1996 Kuhn B65D 5/323
206/526
5,579,911 A 12/1996 Werth
D410,157 S * 5/1999 Murray D6/675
D427,369 S * 6/2000 Bowen D27/189

6,601,368 B1 8/2003 Lehtonen
6,880,313 B1 * 4/2005 Gessford B65B 9/026
53/415
7,377,384 B2 * 5/2008 Mitten 206/256
D590,244 S * 4/2009 Demalsche D9/414
D601,435 S * 10/2009 Fell D9/713
D636,273 S 4/2011 Ver Kuilen
D683,246 S * 5/2013 Palmer D9/734
D685,650 S * 7/2013 Pipes D27/189
8,549,823 B2 * 10/2013 Pipes B65B 51/10
53/442
8,910,782 B2 * 12/2014 Koster B65B 13/00
206/256
D805,399 S * 12/2017 Torchin D9/737
2008/0105593 A1 5/2008 Kleinsmith

OTHER PUBLICATIONS

Microline, Automatic Shrink Wrapper ML 1500 p. 1, Para 1-3;
<https://www.microlinesrl.it/en/13/automatic-shrink-wrapper-for-paper-rolls-ml1500/19/automatic-shrink-wrapper-rolls-ml1500>.

* cited by examiner

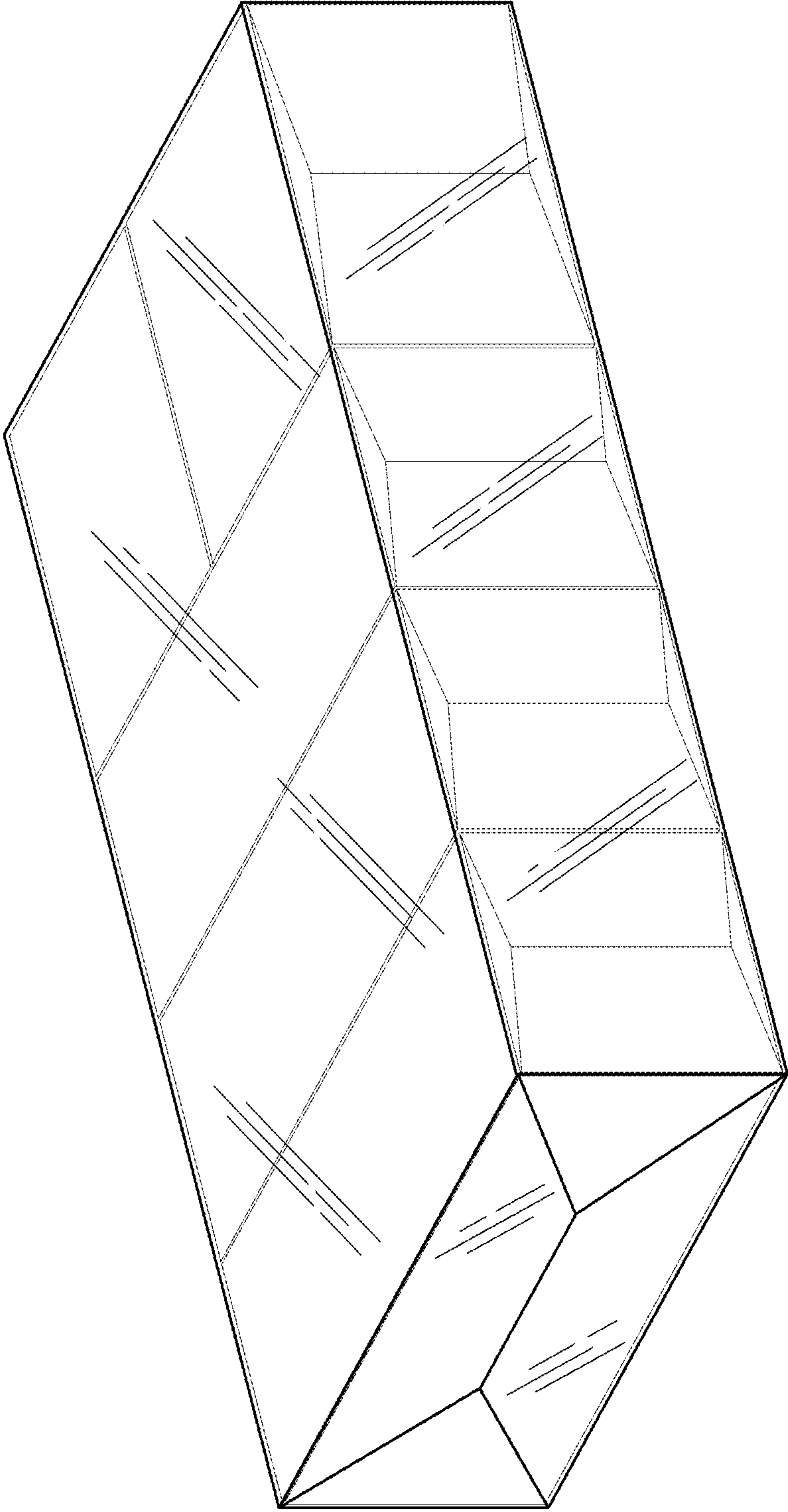


FIG. 1

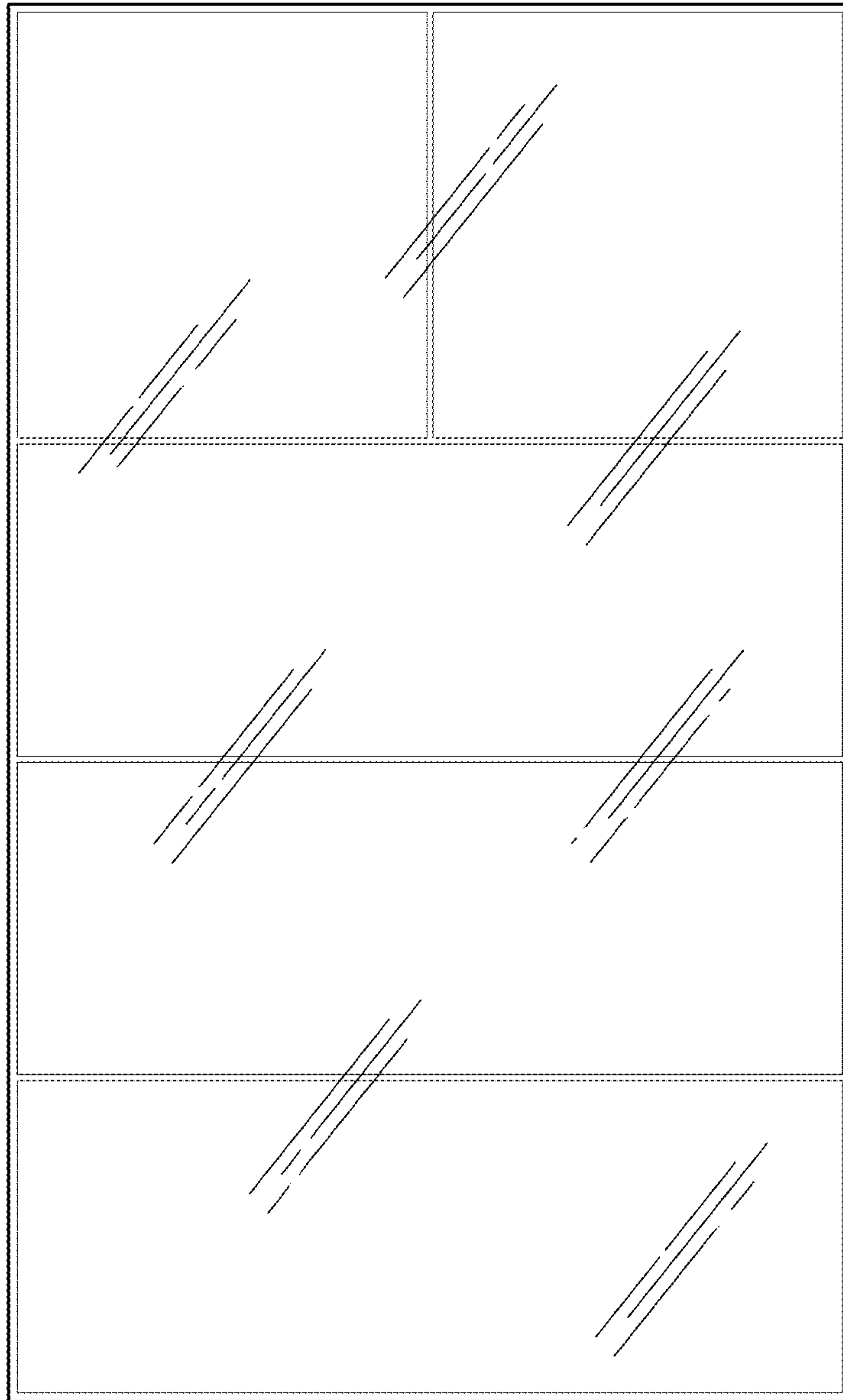


FIG. 2

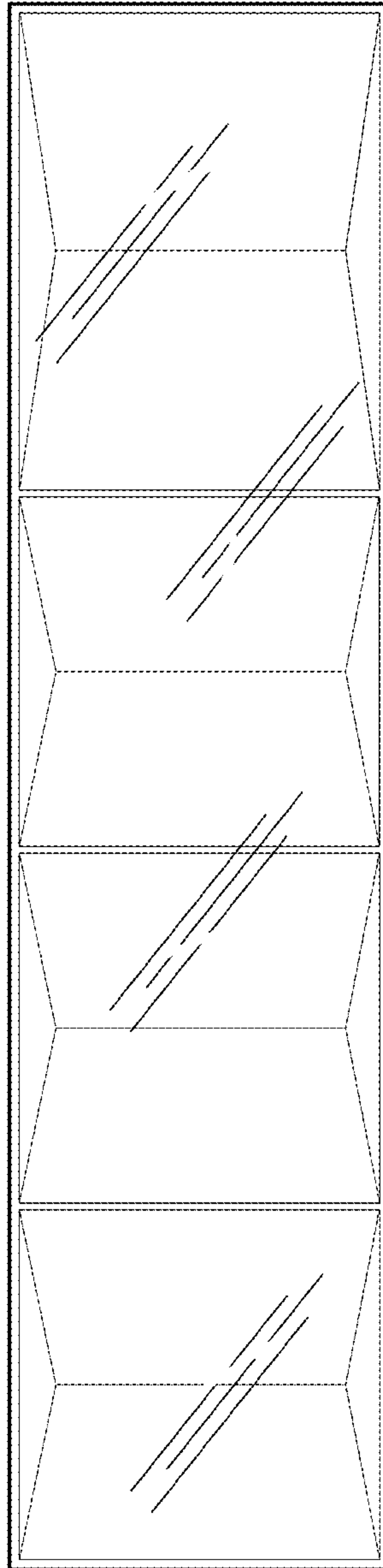


FIG. 3

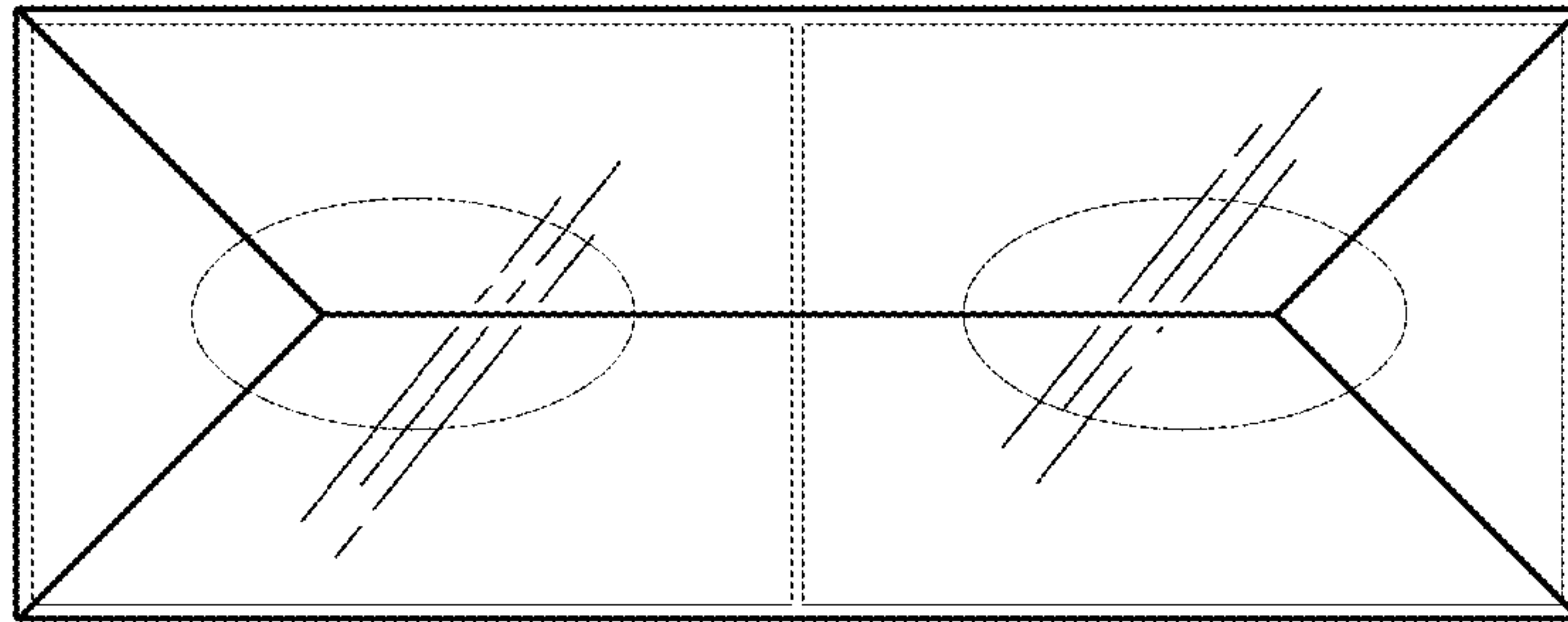


FIG. 4

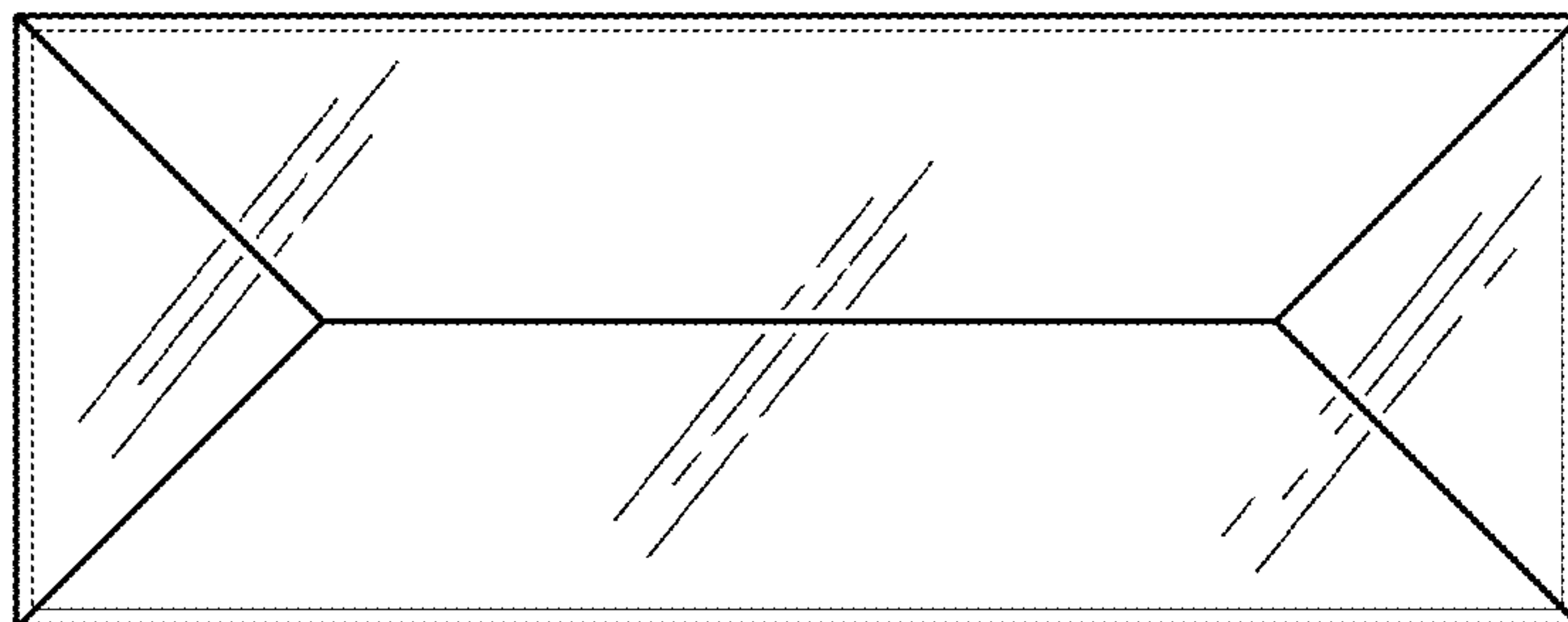


FIG. 5

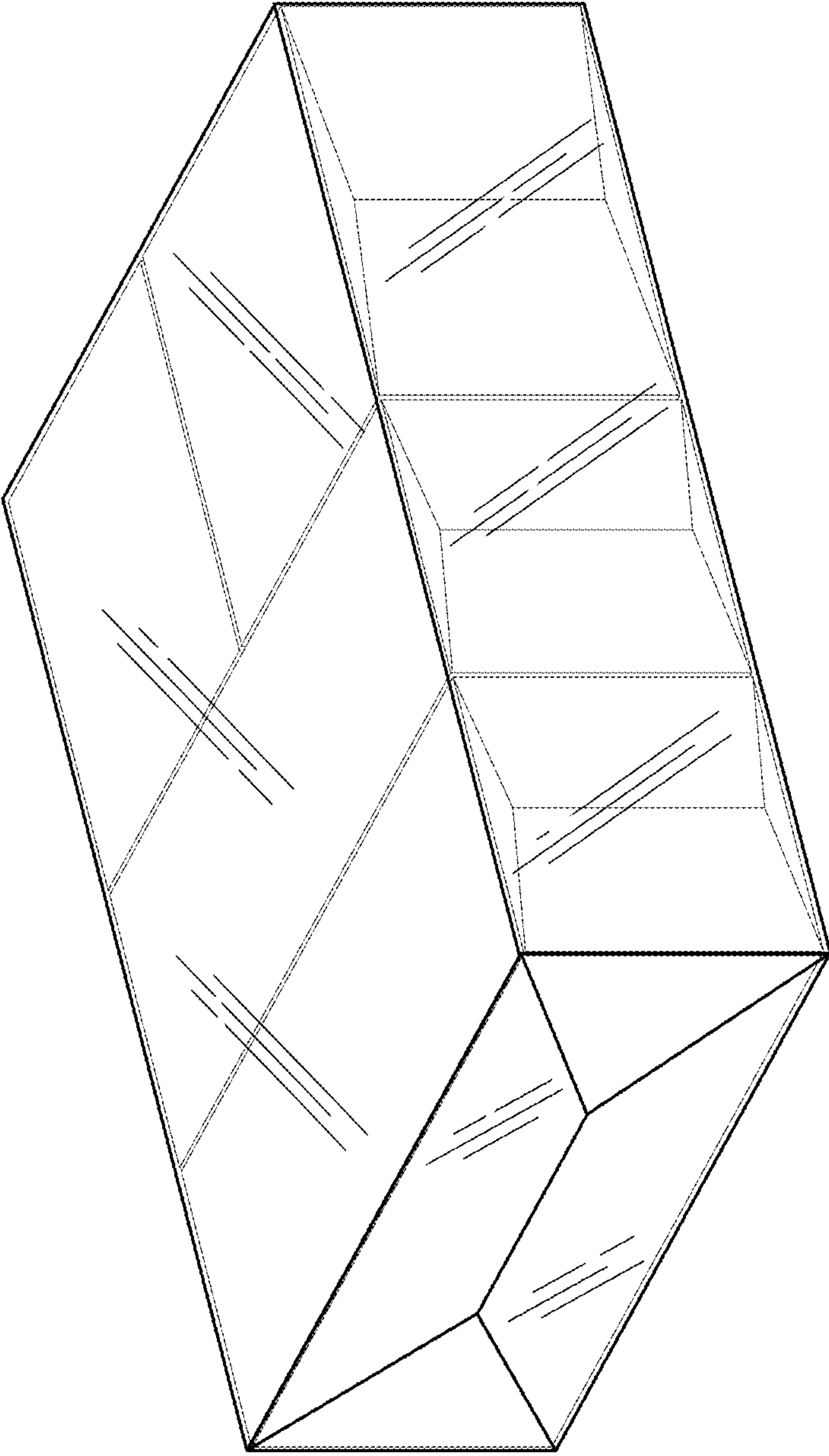


FIG. 6

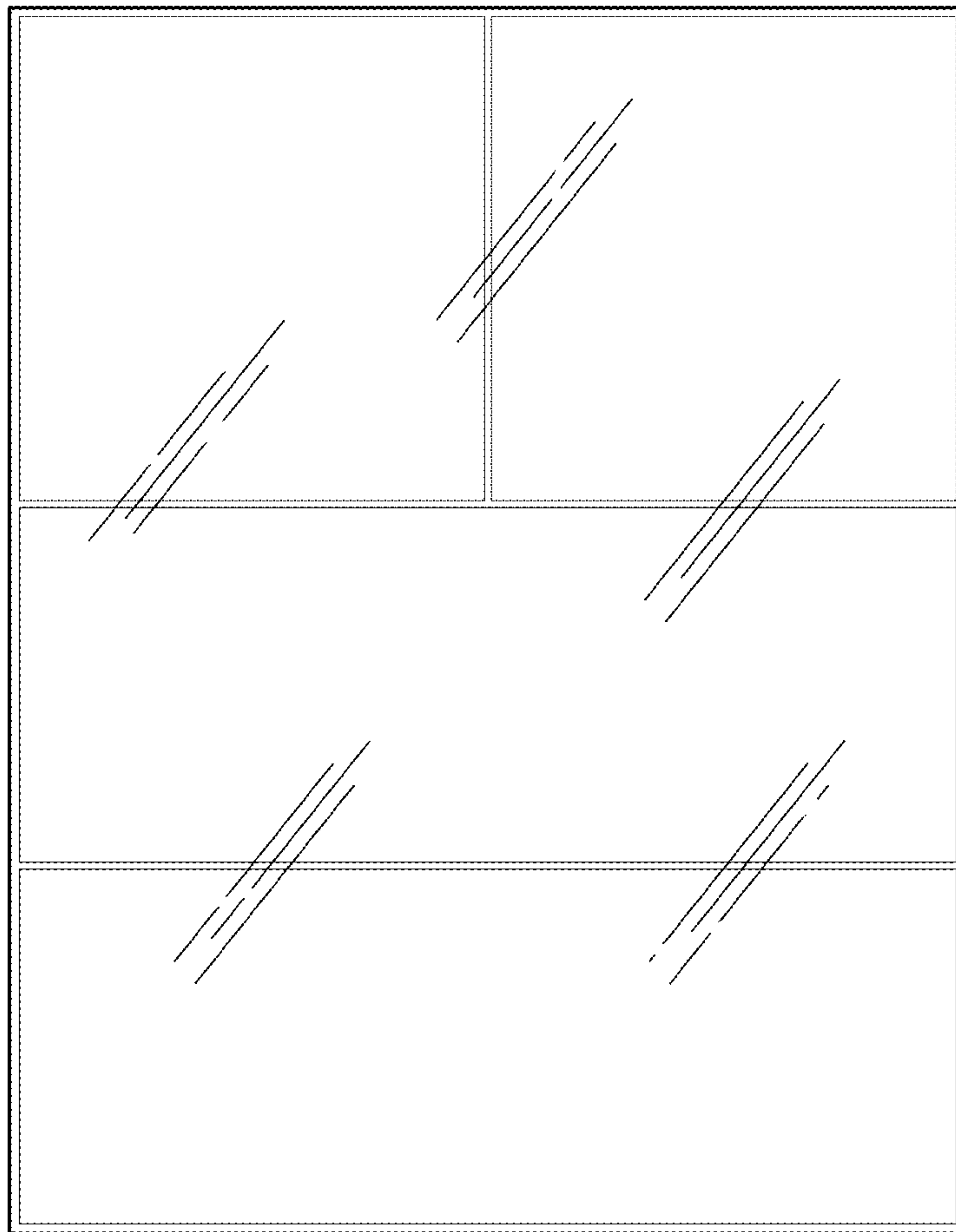


FIG. 7

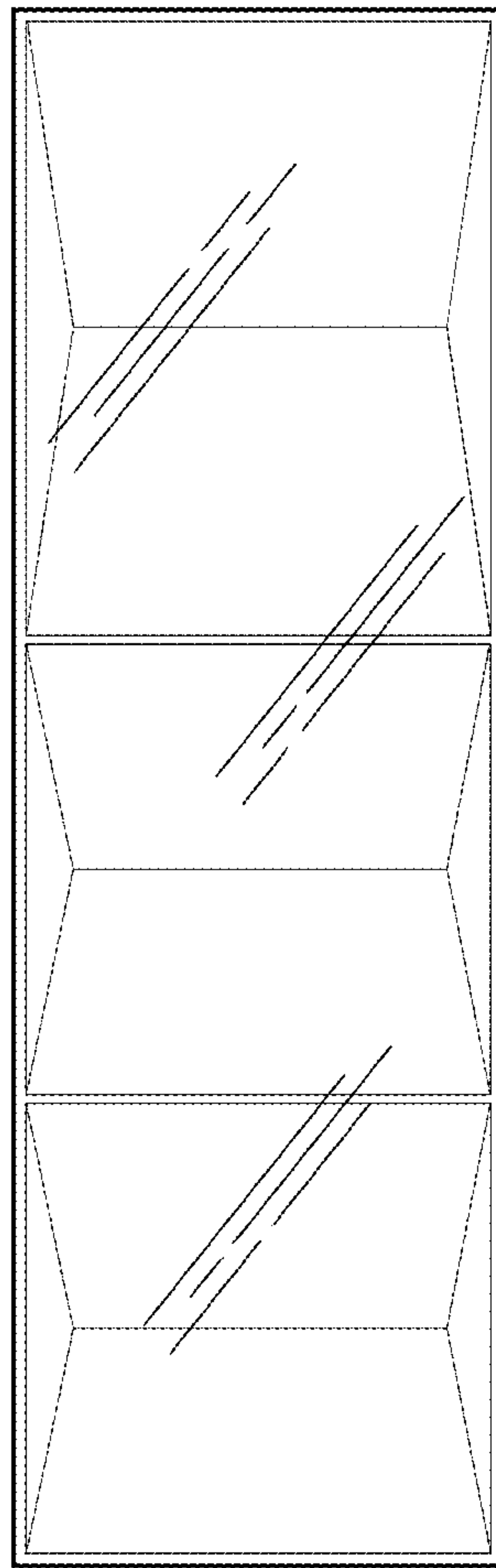


FIG. 8

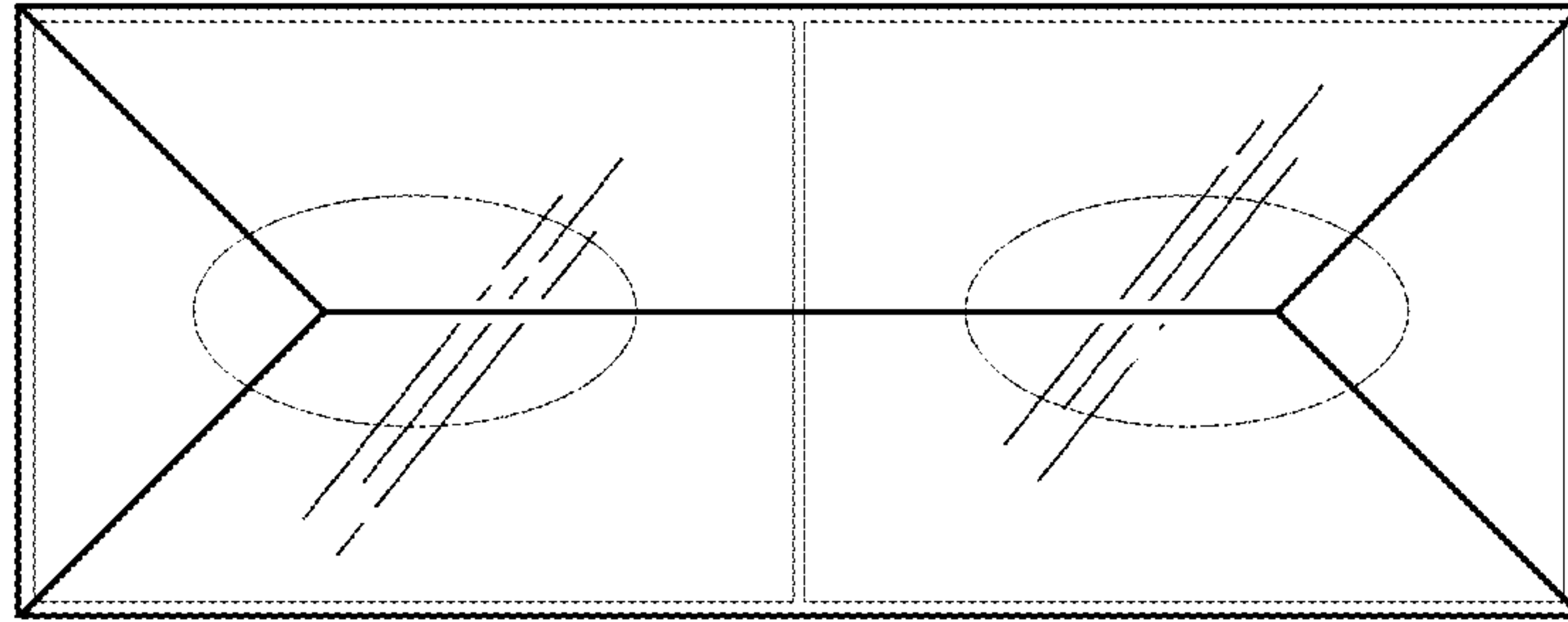


FIG. 9

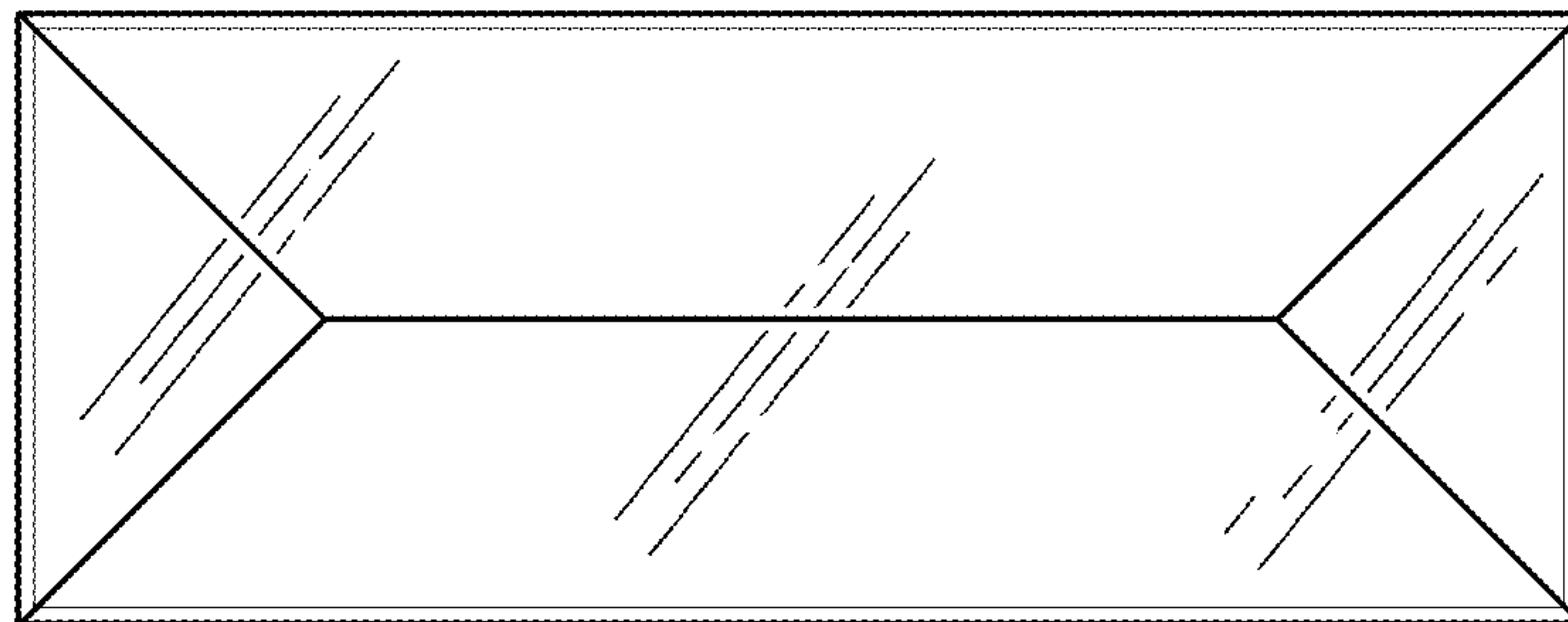


FIG. 10

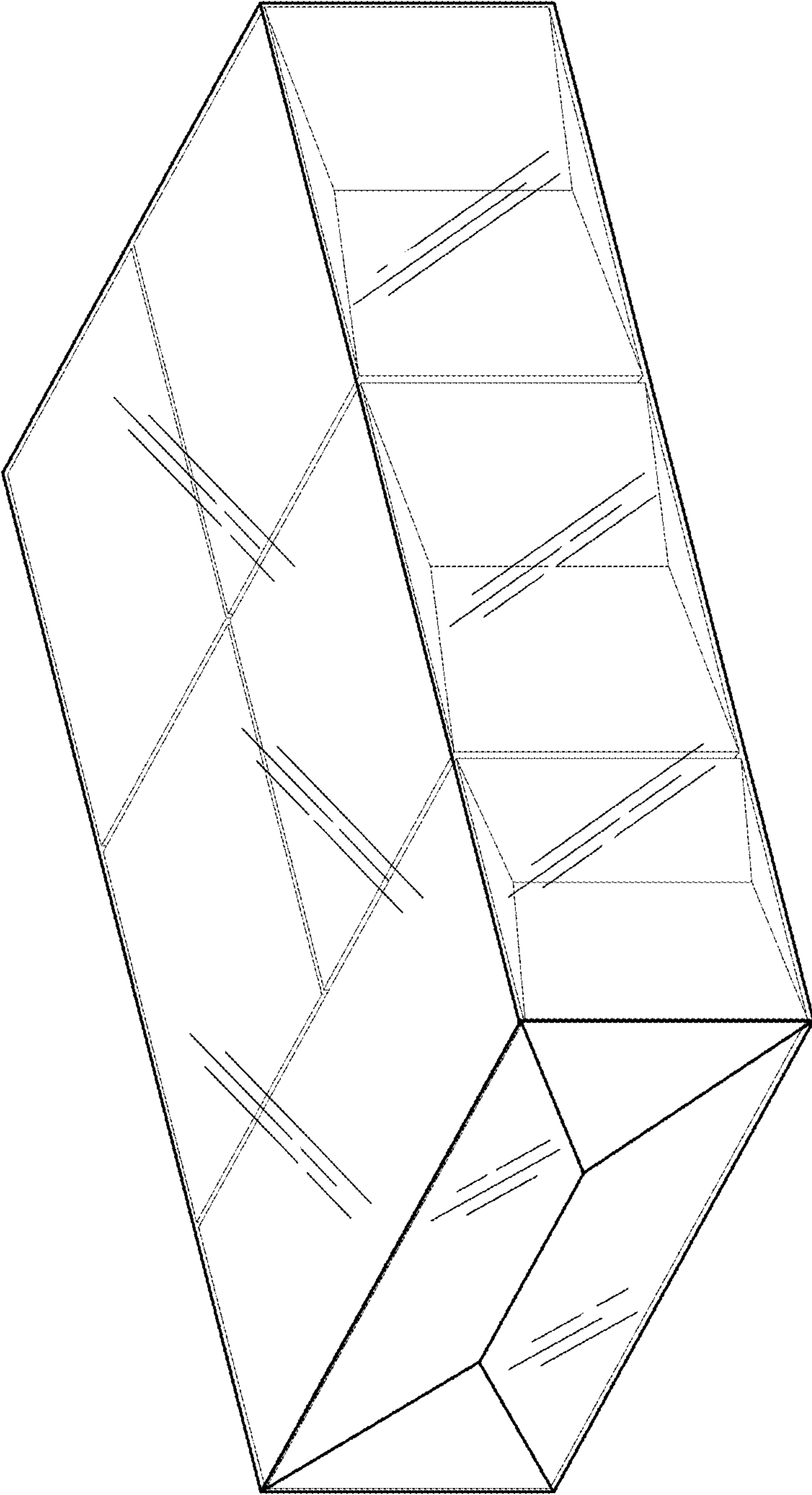


FIG. 11

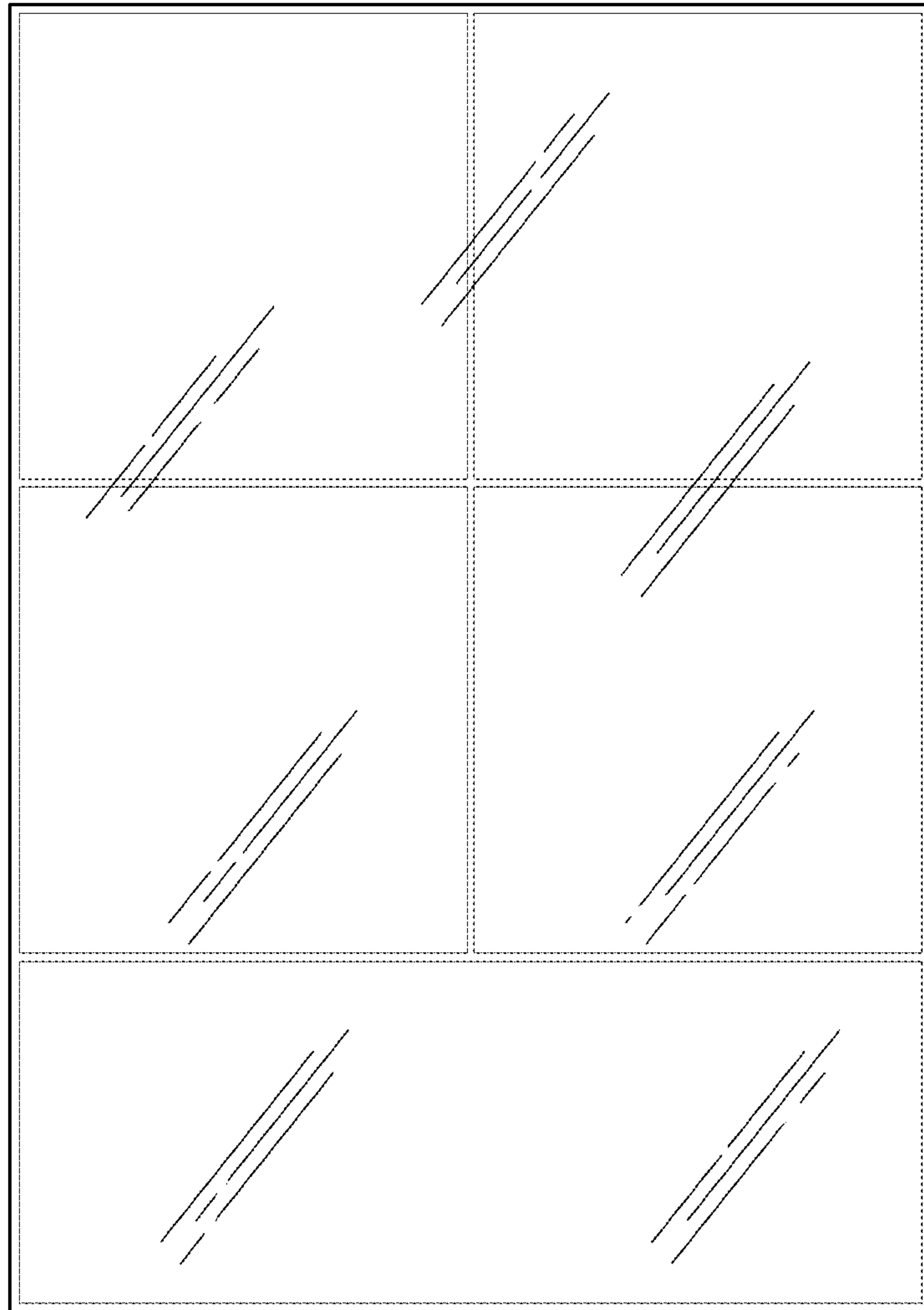


FIG. 12

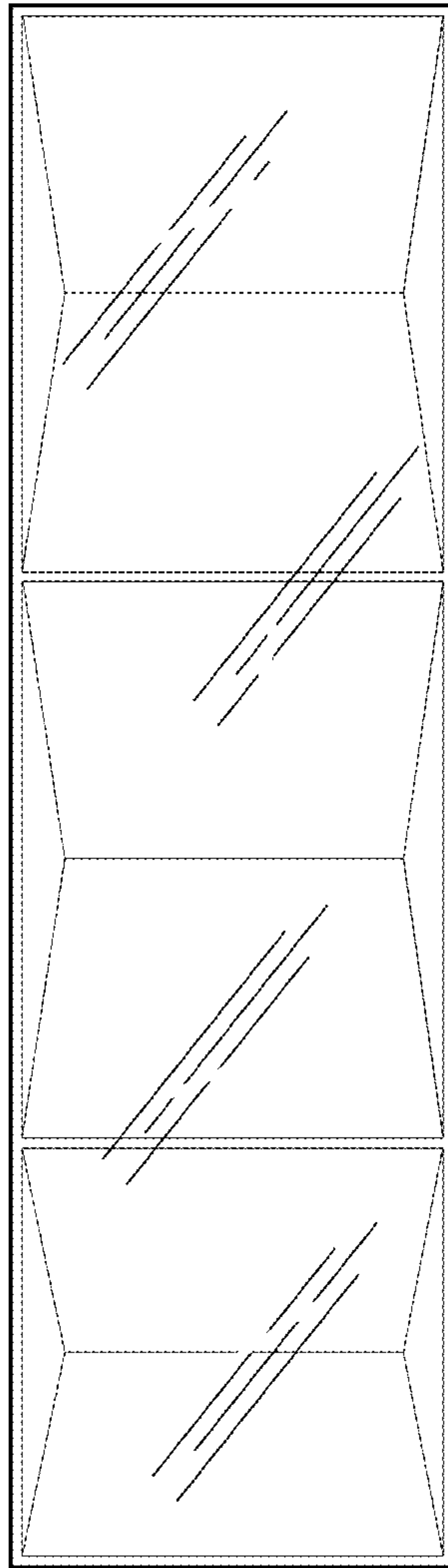


FIG. 13

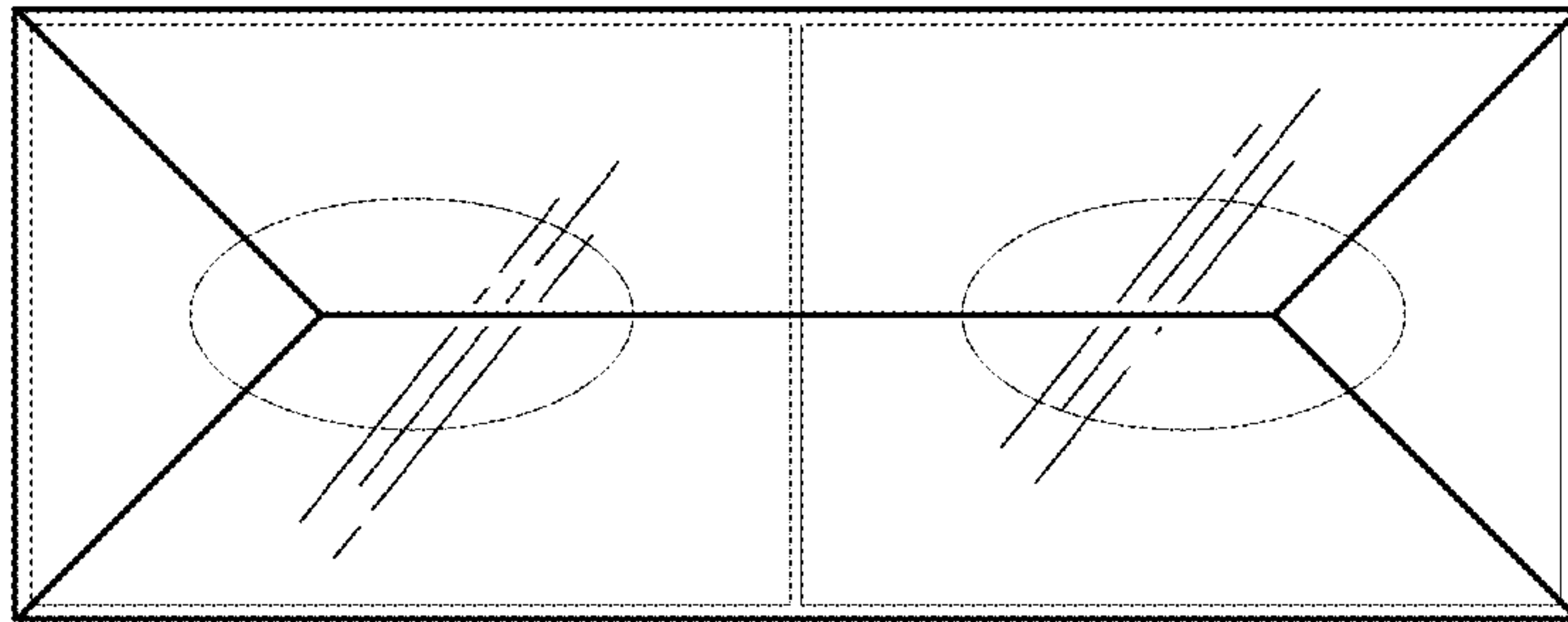


FIG. 14

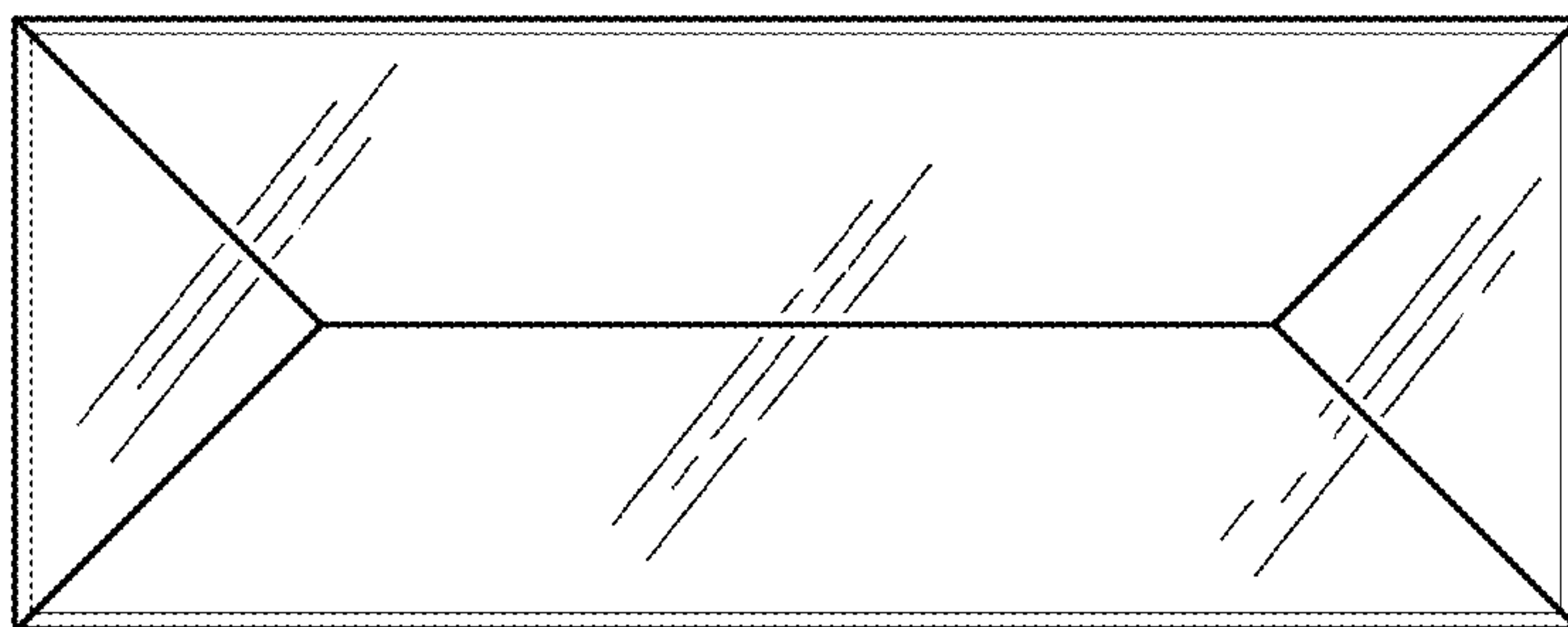


FIG. 15

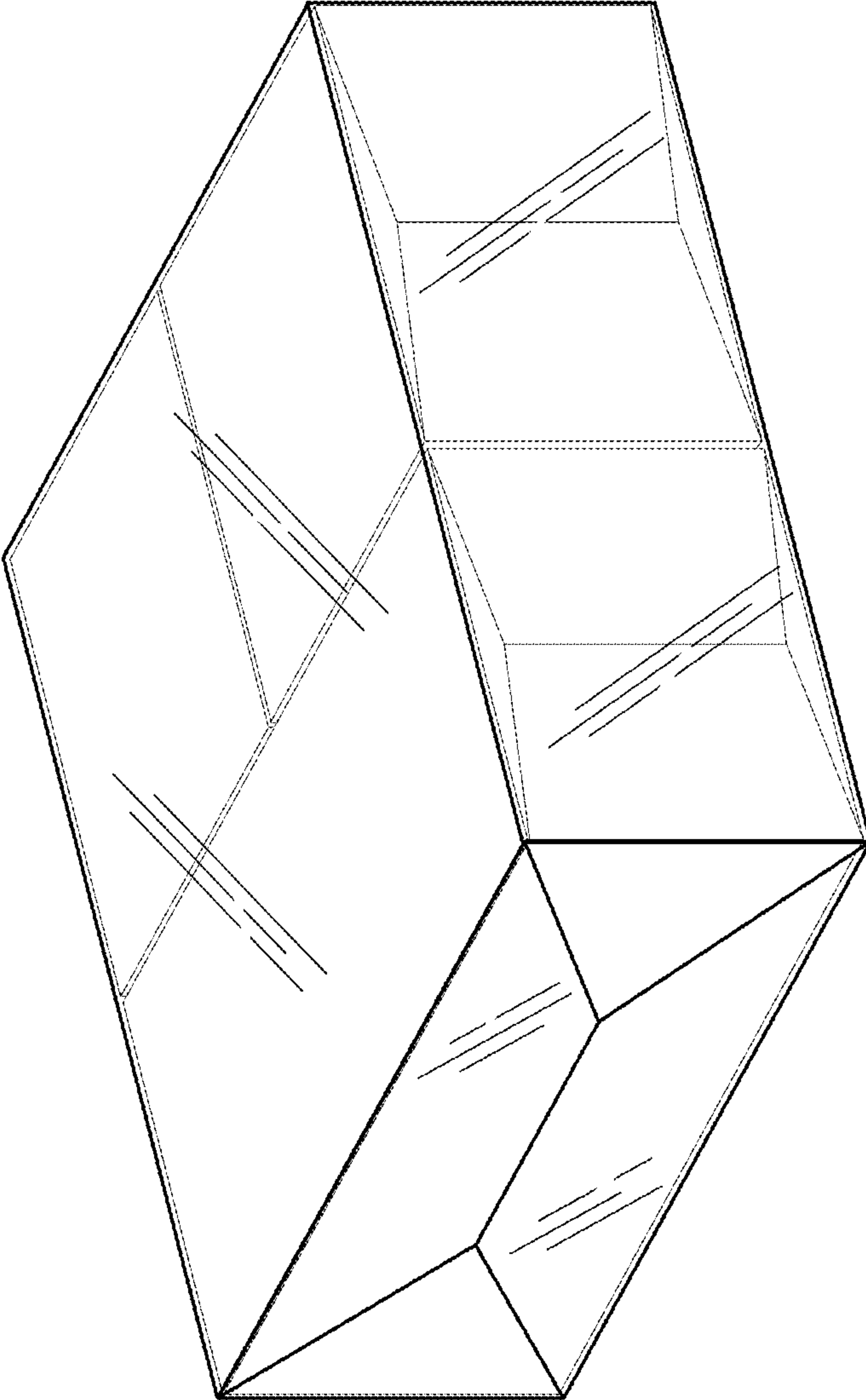


FIG. 16

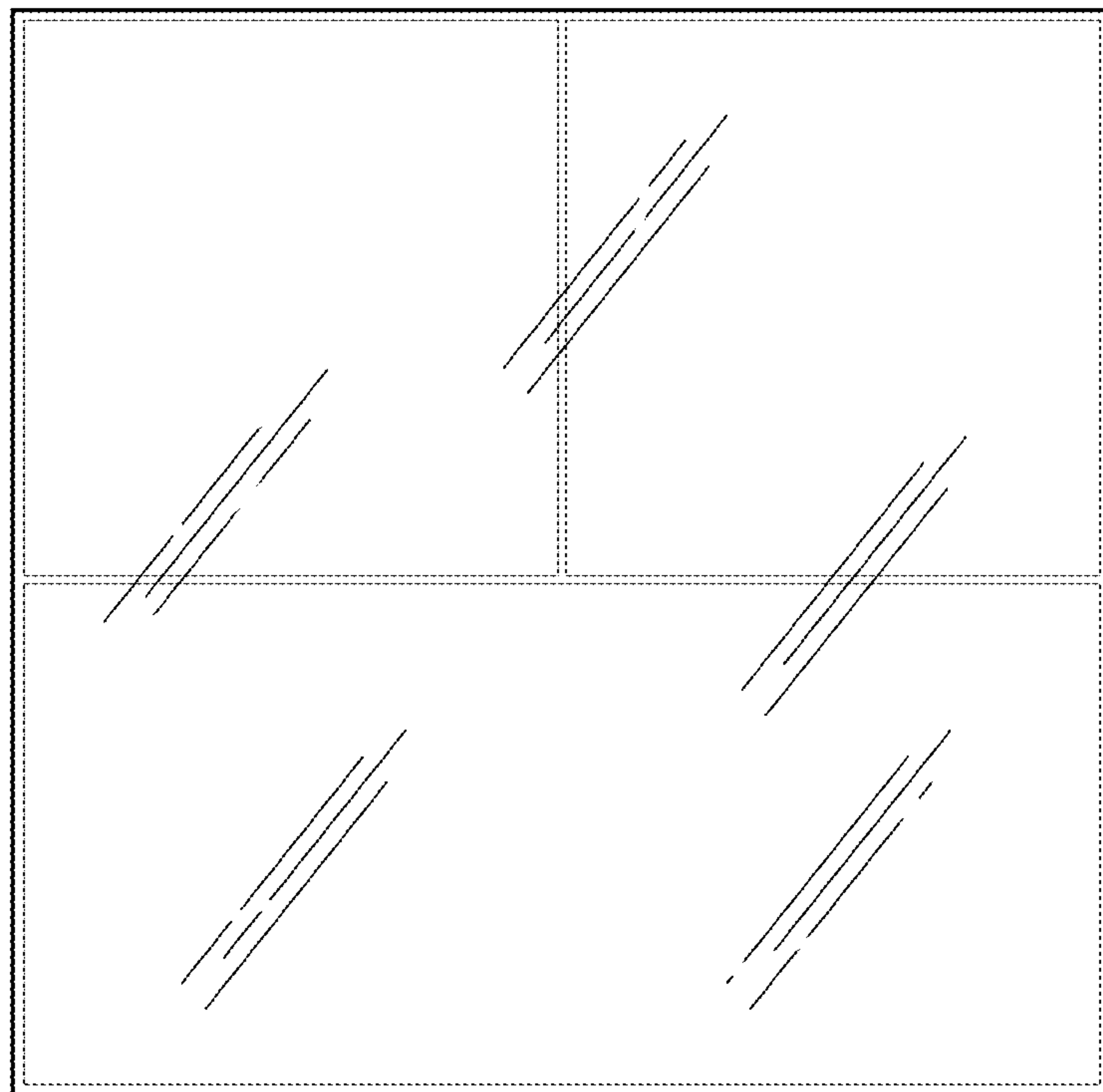


FIG. 17

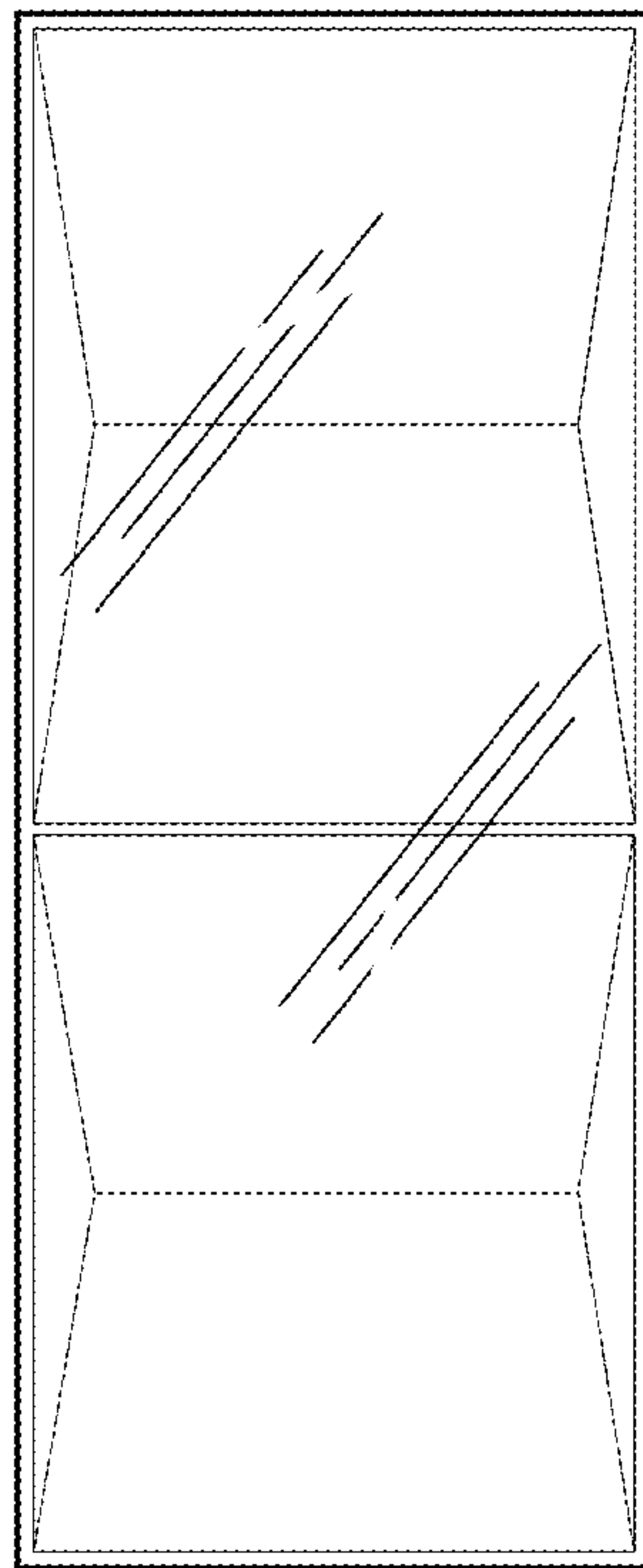


FIG. 18

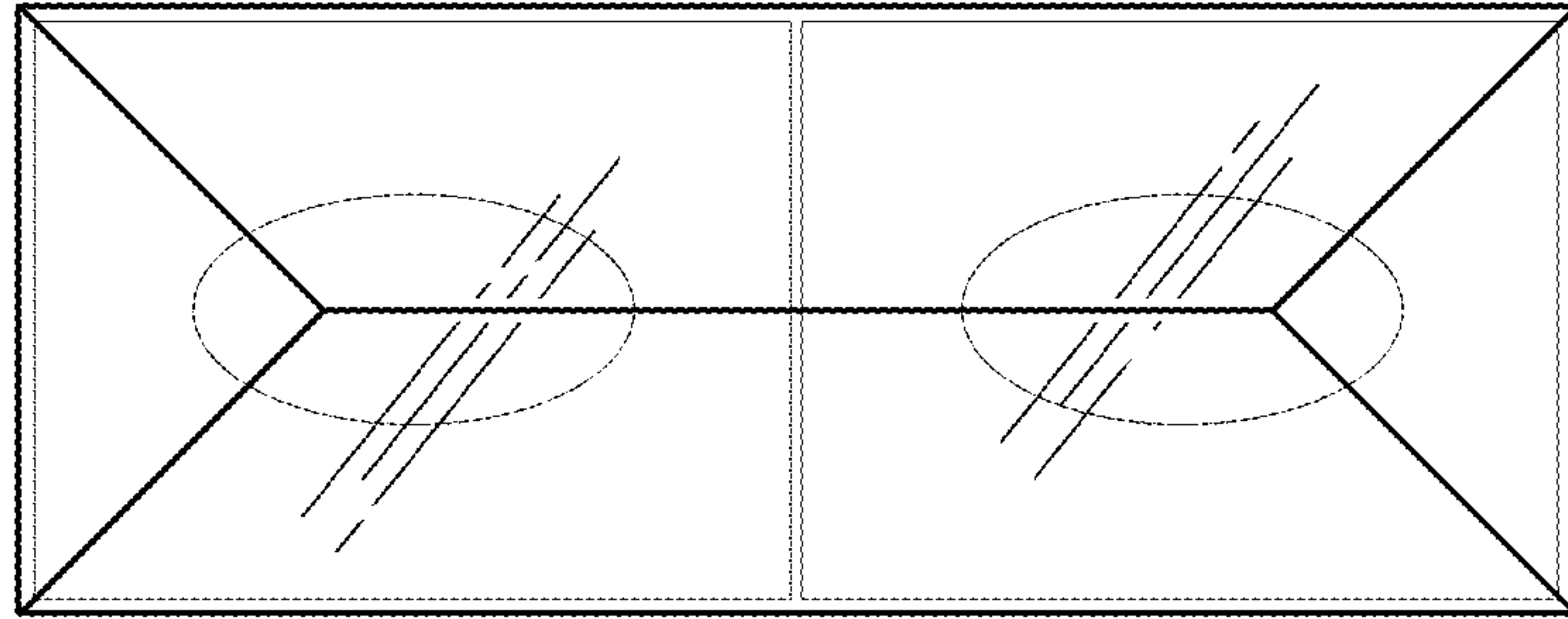


FIG. 19

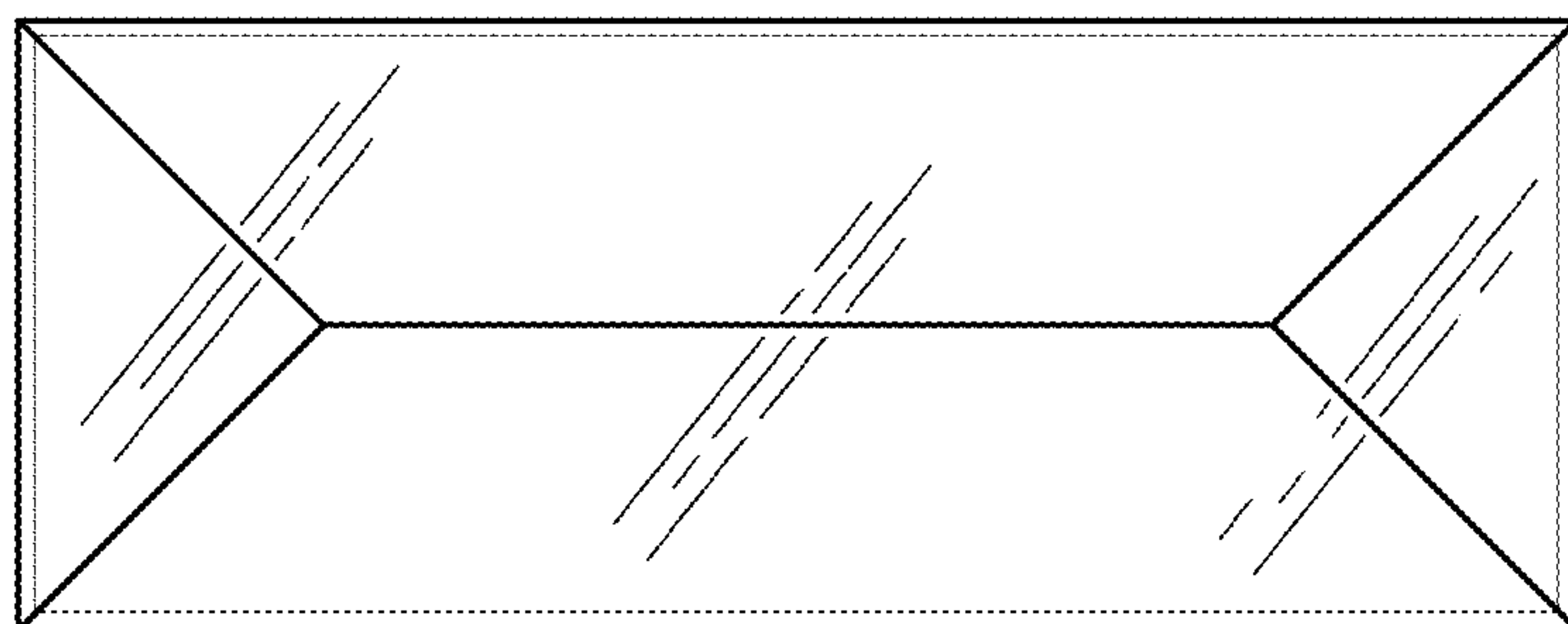


FIG. 20