



US00D861480S

(12) **United States Design Patent** (10) **Patent No.:** **US D861,480 S**  
**Barrett** (45) **Date of Patent:** **\*\* Oct. 1, 2019**

(54) **CONTAINER AND LID**

FOREIGN PATENT DOCUMENTS

(71) Applicant: **S. C. JOHNSON & SON, INC.**,  
Racine, WI (US)

AU 349185 S 6/2013  
AU 349186 S 6/2013

(Continued)

(72) Inventor: **Elizabeth M. Barrett**, Newburgh, IN  
(US)

OTHER PUBLICATIONS

(73) Assignee: **S. C. Johnson & Son, Inc.**, Racine, WI  
(US)

“Ziploc,” URL: <https://ziploc.com/en/products/containers/round/containers-twist-loc-small>, Accessed/Published Date: Aug. 10, 2017, 2 pages.

(\*\*) Term: **15 Years**

*Primary Examiner* — Derrick E Holland

(21) Appl. No.: **29/622,140**

*Assistant Examiner* — Janice Patyk

(22) Filed: **Oct. 13, 2017**

(51) **LOC (12) Cl.** ..... **09-03**

(52) **U.S. Cl.**

USPC ..... **D9/428**

(58) **Field of Classification Search**

USPC ..... D7/400, 601, 608; D9/416, 417, 420,  
D9/425–429, 430, 432, 761; 206/499,  
206/501, 502, 821; 220/625, 656, 669,  
220/670, 674; 229/123.1, 123.2, 125.33,  
229/125.35, 400–407, 915, 939

CPC . B65D 1/26; B65D 1/40; B65D 5/243; B65D  
81/3453; B65D 2581/34; B65D  
2581/3404; B65D 2581/3456

See application file for complete search history.

(57) **CLAIM**

The ornamental design for a container and lid, as shown and described.

**DESCRIPTION**

FIG. 1 is a top, front, and left side isometric view of a container and lid, showing my new design;  
FIG. 2 is a front elevational view of the container and lid of FIG. 1;  
FIG. 3 is a rear elevational view of the container and lid of FIG. 1;  
FIG. 4 is a right side elevational view of the container and lid of FIG. 1;  
FIG. 5 is a left side elevational view of the container and lid of FIG. 1; and,  
FIG. 6 is a top plan view of the container and lid of FIG. 1. The dot-dash broken lines immediately adjacent to the claimed areas in the views represent the boundaries of the design and form no part thereof. The broken lines in the figures illustrate the portions of the design that form no part of the claimed design. None of the broken lines form any part of the claimed design.

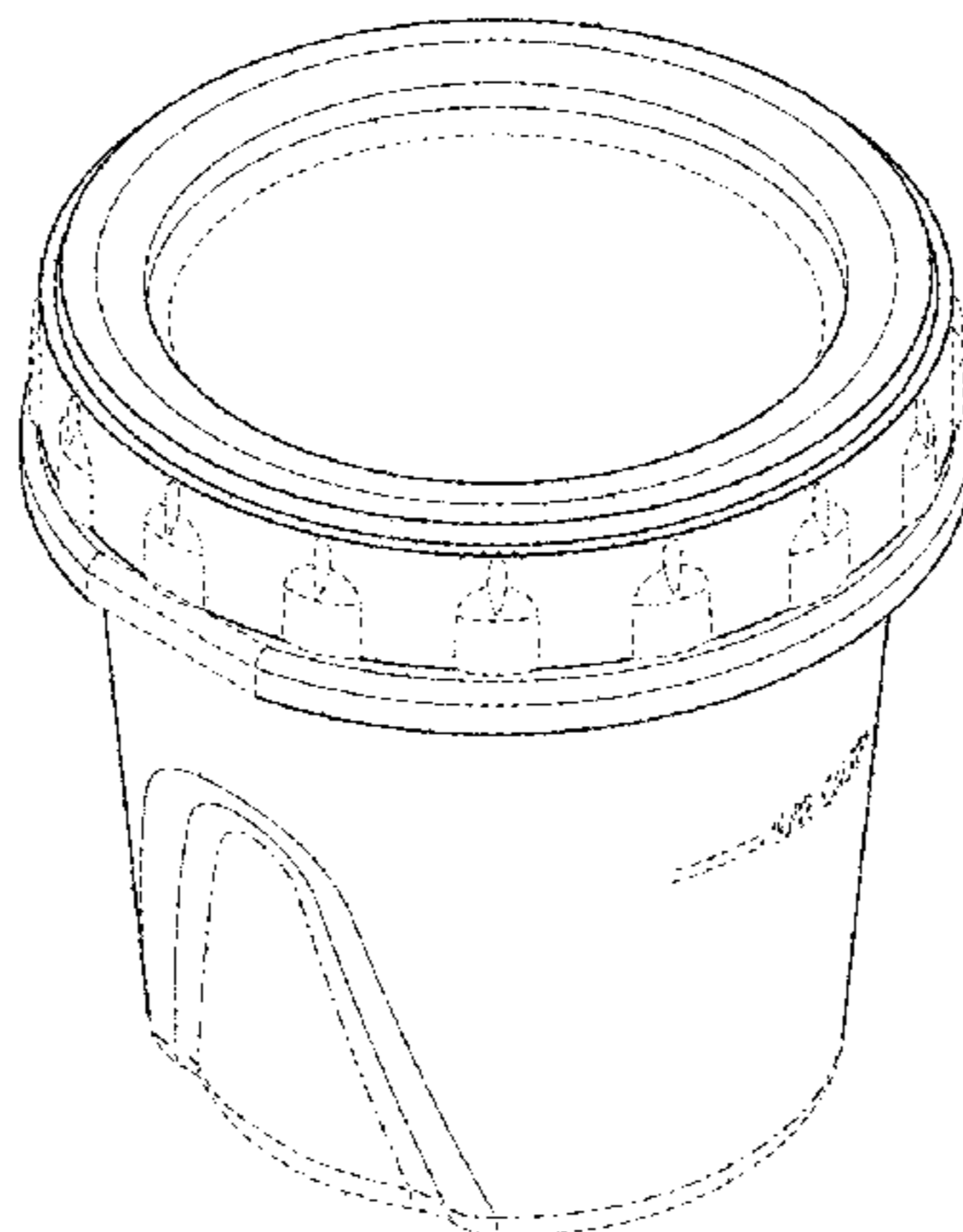
(56) **References Cited**

U.S. PATENT DOCUMENTS

1,577,020 A 3/1926 Hammer  
1,776,813 A 9/1930 Luchs  
3,529,744 A 9/1970 Johnson et al.  
3,721,361 A 3/1973 Barry et al.  
4,098,419 A 7/1978 Virog, Jr. et al.  
4,106,660 A 8/1978 Boyle  
4,399,926 A 8/1983 Eidels-Dubovoy  
4,413,743 A 11/1983 Summers  
4,609,114 A 9/1986 Roy  
D286,844 S \* 11/1986 Daenen ..... D7/586  
4,620,640 A 11/1986 Swartzbaugh

(Continued)

**1 Claim, 4 Drawing Sheets**



(56)

References Cited

U.S. PATENT DOCUMENTS

4,756,435 A 7/1988 Schick et al.  
 5,197,619 A 3/1993 Margaria  
 5,542,532 A 8/1996 Mitchell  
 5,628,417 A 5/1997 Van Halteren  
 5,685,443 A 11/1997 Taber et al.  
 5,954,215 A 9/1999 Alter  
 D433,275 S 11/2000 Betras  
 6,158,603 A 12/2000 Price et al.  
 6,345,741 B1 2/2002 Murray et al.  
 6,401,952 B1 6/2002 Ming  
 6,557,714 B2 5/2003 Babcock et al.  
 6,786,179 B2 9/2004 Ver Hage  
 D499,934 S 12/2004 Smith et al.  
 D499,935 S 12/2004 Smith et al.  
 D506,359 S 6/2005 Zettle et al.  
 D507,937 S \* 8/2005 Dais ..... D7/602  
 D508,187 S 8/2005 Dais et al.  
 D508,188 S 8/2005 Zettle et al.  
 6,932,234 B2 8/2005 D'Amato  
 D514,385 S 2/2006 Smith et al.  
 D514,884 S 2/2006 Smith et al.  
 7,040,509 B2 5/2006 McLelland et al.  
 D528,863 S 9/2006 Hayes et al.  
 7,156,264 B2 1/2007 Ver Hage  
 7,175,051 B2 2/2007 McLelland et al.  
 D545,618 S 7/2007 Zettle et al.  
 7,347,343 B2 3/2008 McLelland et al.  
 D566,483 S \* 4/2008 Tucker ..... D7/542  
 D584,925 S \* 1/2009 Buchman ..... D7/602  
 7,624,701 B2 12/2009 Ver Hage  
 D607,282 S \* 1/2010 Furlong ..... D7/602  
 D611,343 S 3/2010 Miller  
 D620,791 S 8/2010 Grajcar et al.  
 D627,596 S 11/2010 Hillebrenner et al.  
 D632,171 S 2/2011 Grajcar et al.  
 D632,527 S \* 2/2011 Olivari ..... D7/560  
 7,886,899 B2 2/2011 Frutin  
 7,891,509 B2 2/2011 Konefal  
 D641,212 S \* 7/2011 Olivari ..... D7/543  
 8,091,724 B2 1/2012 King  
 D670,166 S 11/2012 Lavender  
 8,317,053 B2 11/2012 Cronin et al.  
 D672,617 S \* 12/2012 Stamper ..... D7/602  
 8,448,800 B2 5/2013 Konrad  
 D686,043 S 7/2013 Del Solar et al.  
 D686,044 S 7/2013 Del Solar et al.  
 D697,366 S 1/2014 Kristinik

D708,903 S \* 7/2014 Wong ..... D7/378  
 D712,740 S 9/2014 Antal et al.  
 D723,340 S \* 3/2015 Maxwell ..... D7/629  
 D732,339 S \* 6/2015 Sorensen ..... D7/509  
 D733,497 S 7/2015 Sorensen et al.  
 D739,233 S 9/2015 Antal, Sr. et al.  
 D739,234 S 9/2015 Antal, Sr. et al.  
 9,156,719 B2 10/2015 Perrone et al.  
 9,238,341 B2 1/2016 Tsuchiya  
 D753,482 S 4/2016 Serrano et al.  
 9,440,761 B2 9/2016 Villaret De Chauvigny et al.  
 D774,392 S 12/2016 Broad  
 D779,332 S 2/2017 Zuzelski et al.  
 D779,333 S 2/2017 Zuzelski et al.  
 D789,797 S 6/2017 Haddad  
 D789,798 S 6/2017 Haddad  
 9,745,114 B2 8/2017 Dai  
 2005/0224506 A1 10/2005 Withers  
 2007/0051733 A1 3/2007 Franzen  
 2009/0095754 A1 4/2009 Liu  
 2014/0326628 A1 11/2014 Fox et al.  
 2015/0272359 A1 10/2015 Oakes  
 2016/0096309 A1 4/2016 Tsuchiya  
 2017/0050774 A1 2/2017 Giraud et al.  
 2017/0174398 A1 6/2017 Cox

FOREIGN PATENT DOCUMENTS

AU 349187 S 6/2013  
 CA 113934 S 11/2006  
 CA 151100 S 7/2014  
 CN 301391623 S 11/2010  
 CN 301437000 S 1/2011  
 EM 001103709-0004 3/2009  
 EM D01673401-0001 2/2010  
 EM D01673401-0002 2/2010  
 EM 001734120-0001 7/2010  
 EM 002254748-0001 6/2013  
 EM 002254748-0002 6/2013  
 EM 002254748-0003 6/2013  
 EM 003407022-0003 10/2016  
 EM 003932516-0004 5/2017  
 EM 004068070-0002 6/2017  
 WO D040115-001 5/1997  
 WO 2015121262 A1 8/2015  
 WO 2016016207 A1 2/2016  
 WO 2016038568 A1 3/2016  
 WO 2017031139 A1 2/2017

\* cited by examiner

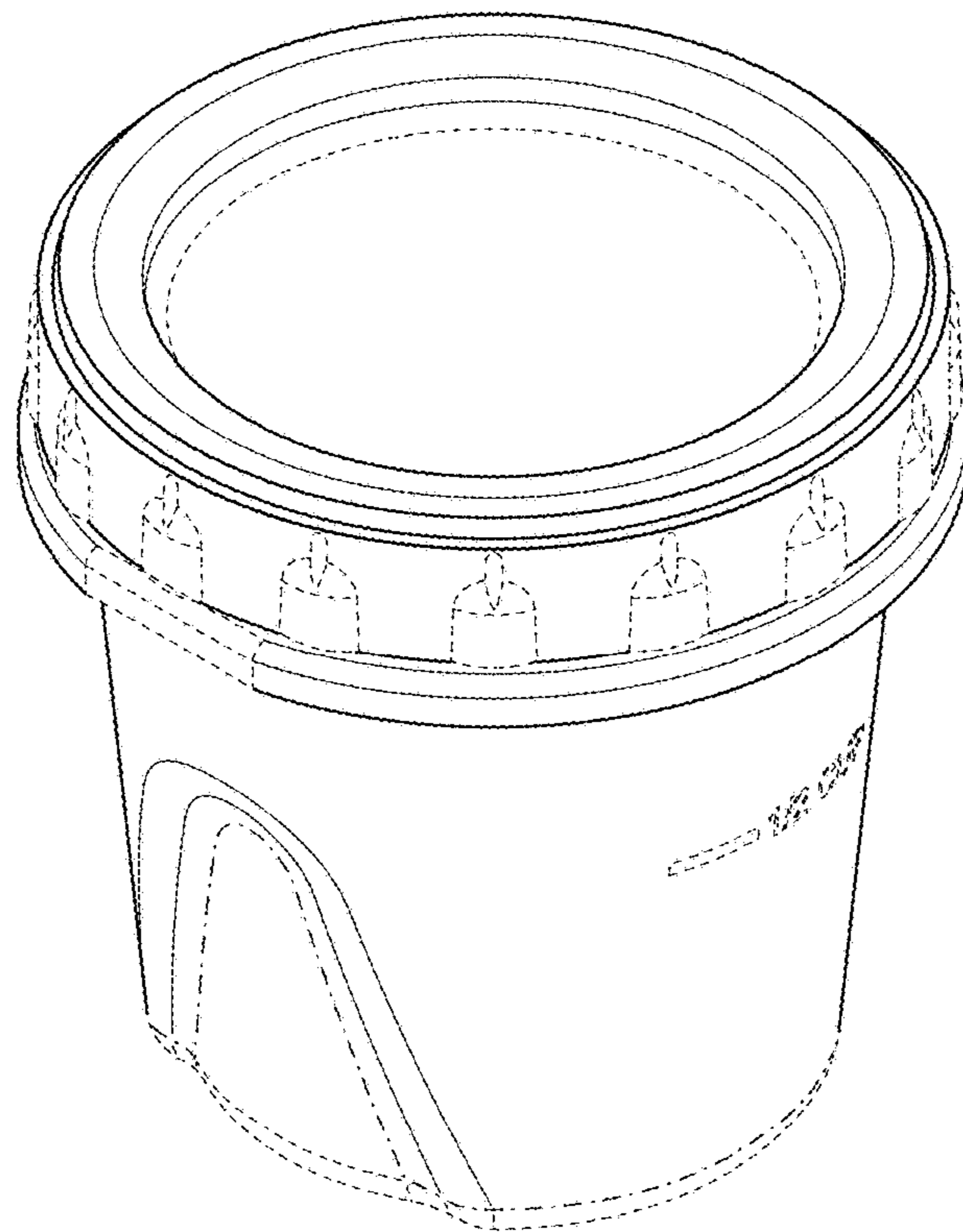


FIG. 1

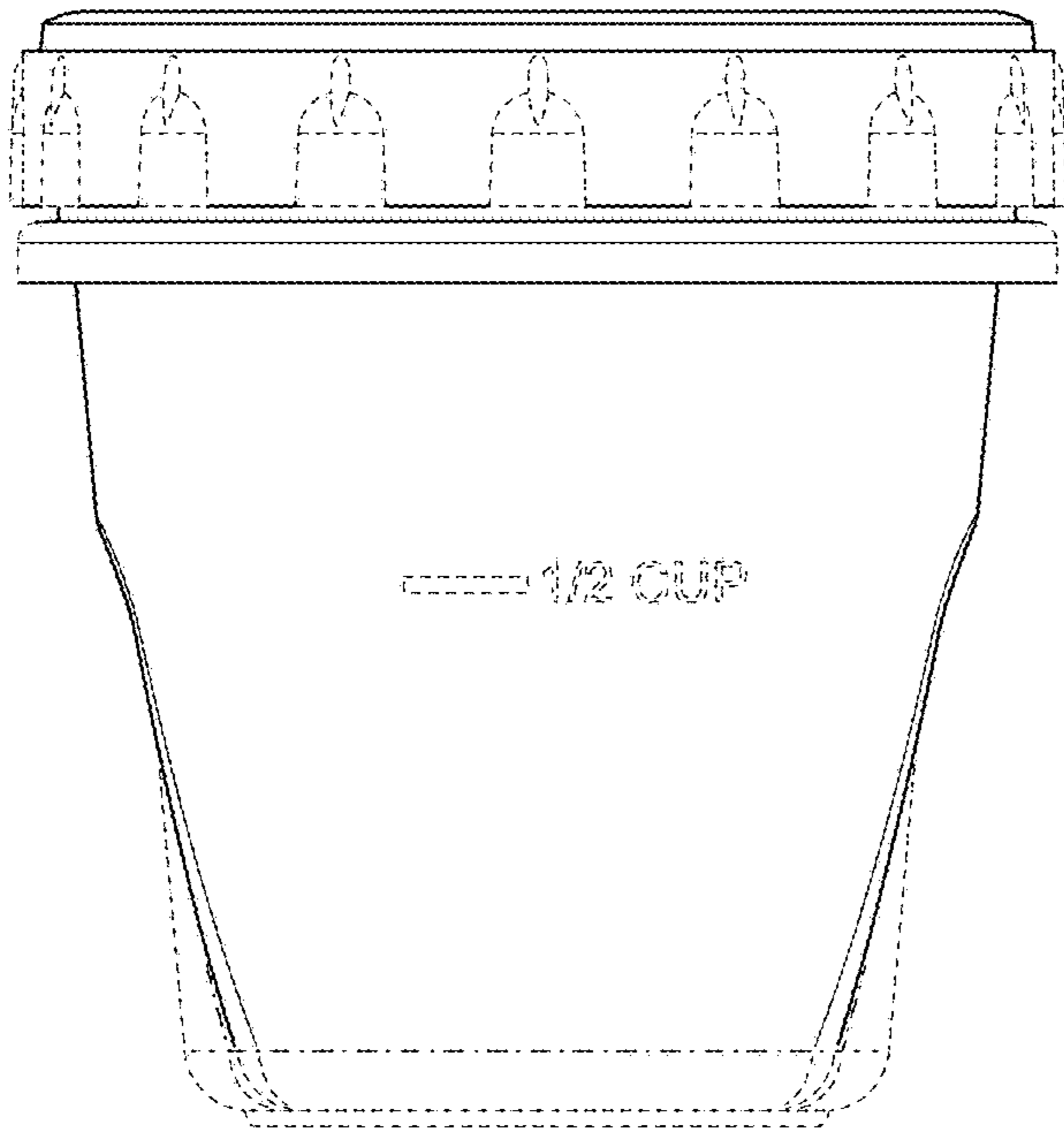


FIG. 2

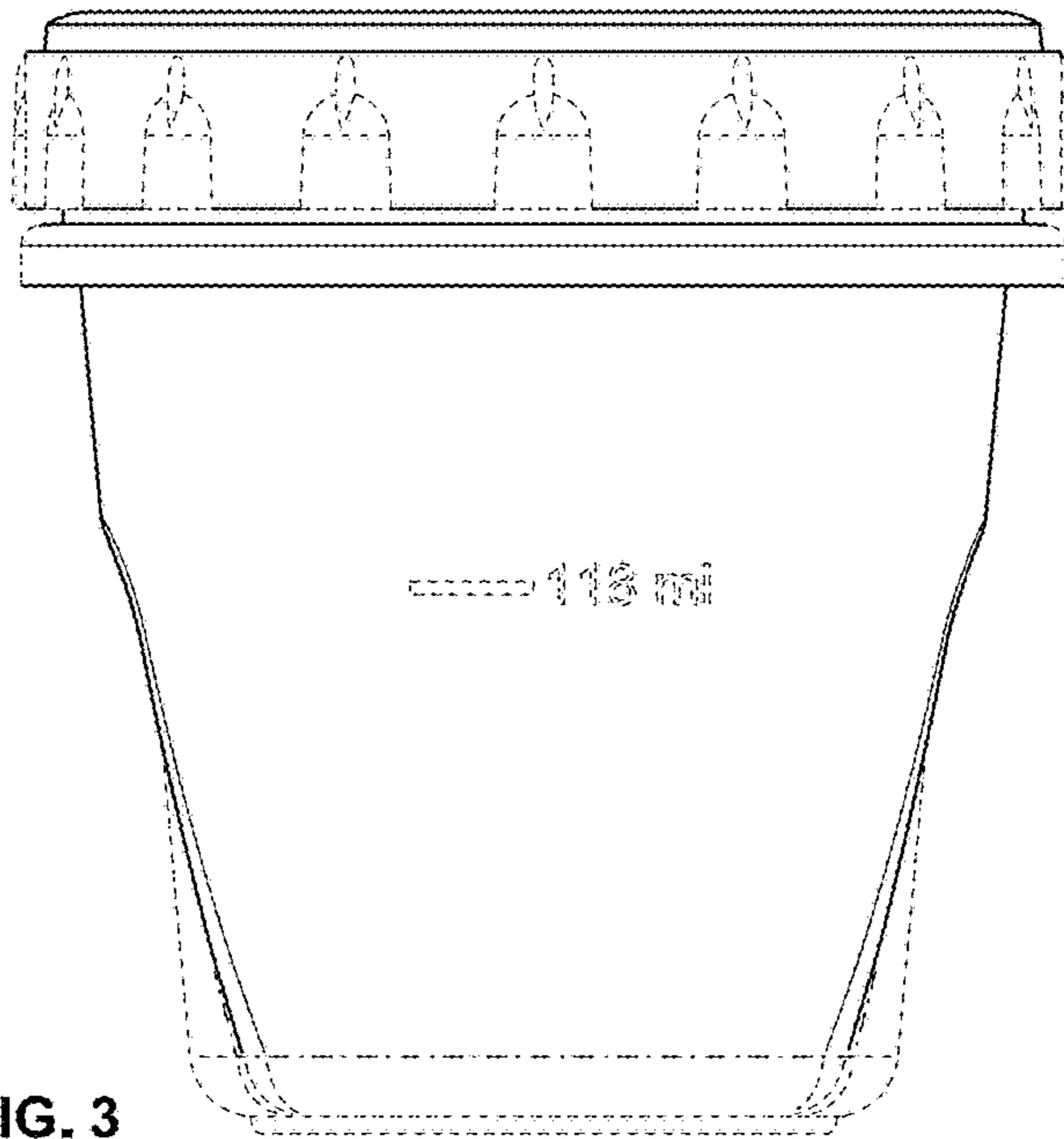


FIG. 3

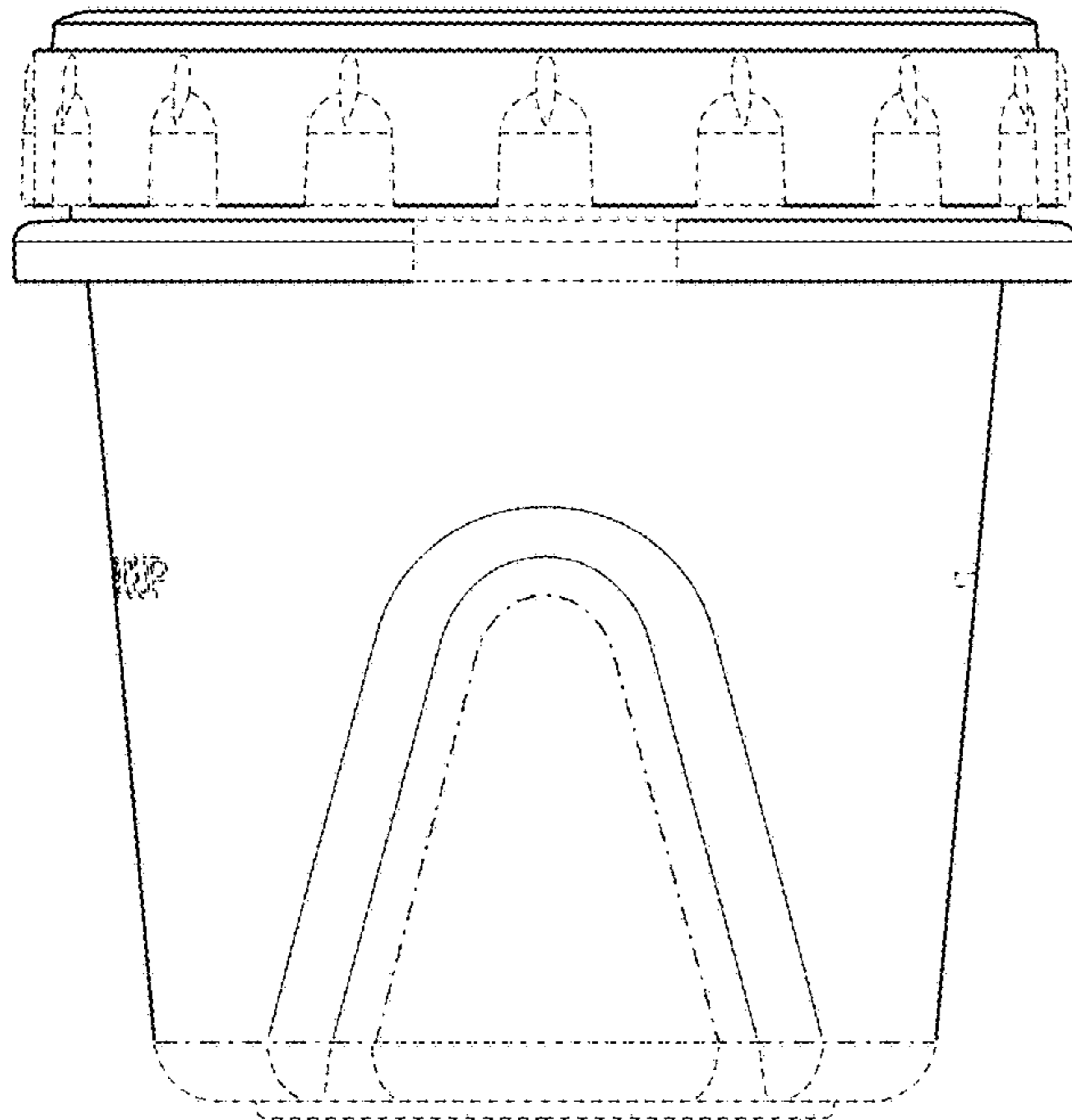


FIG. 4

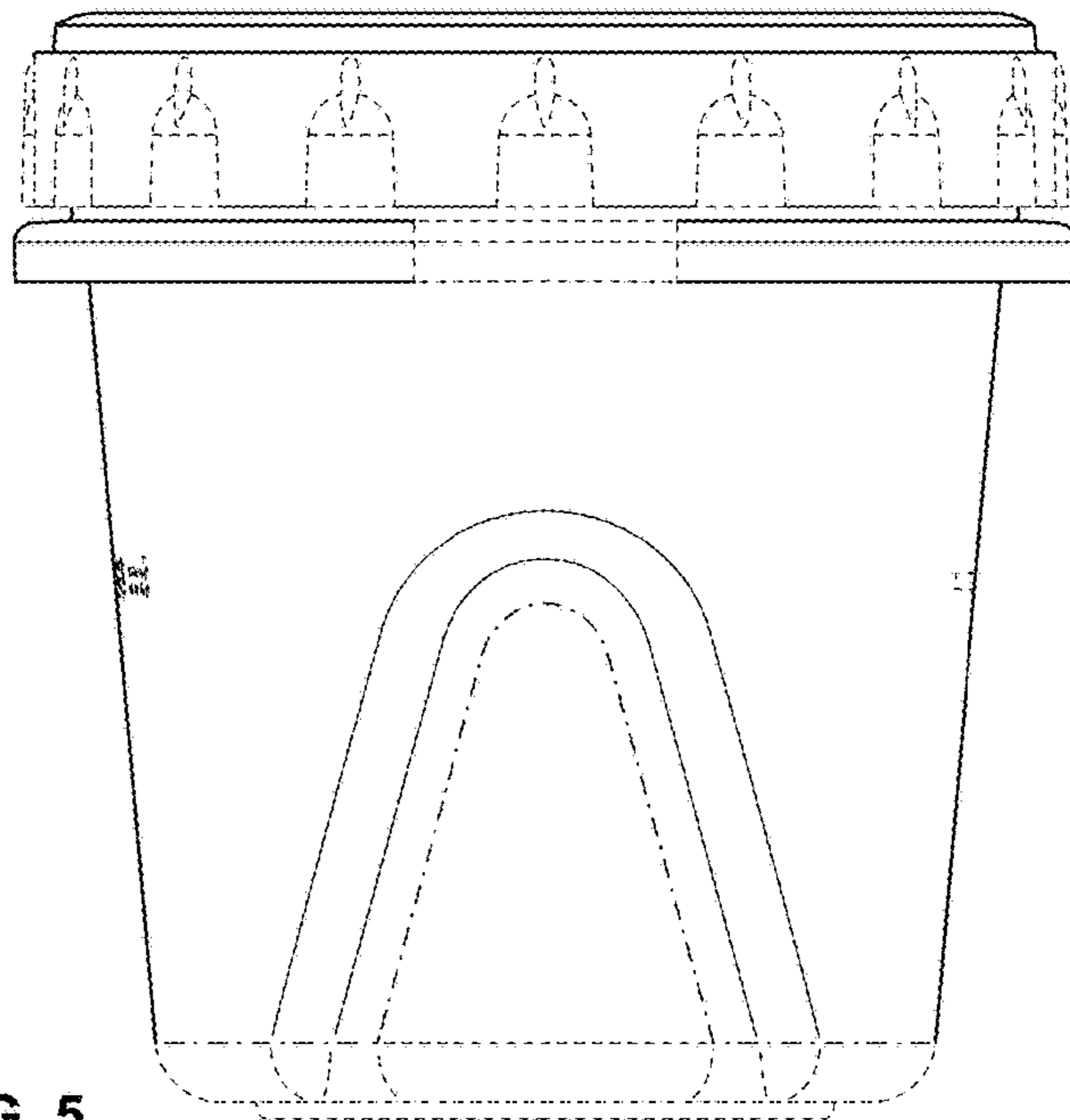


FIG. 5

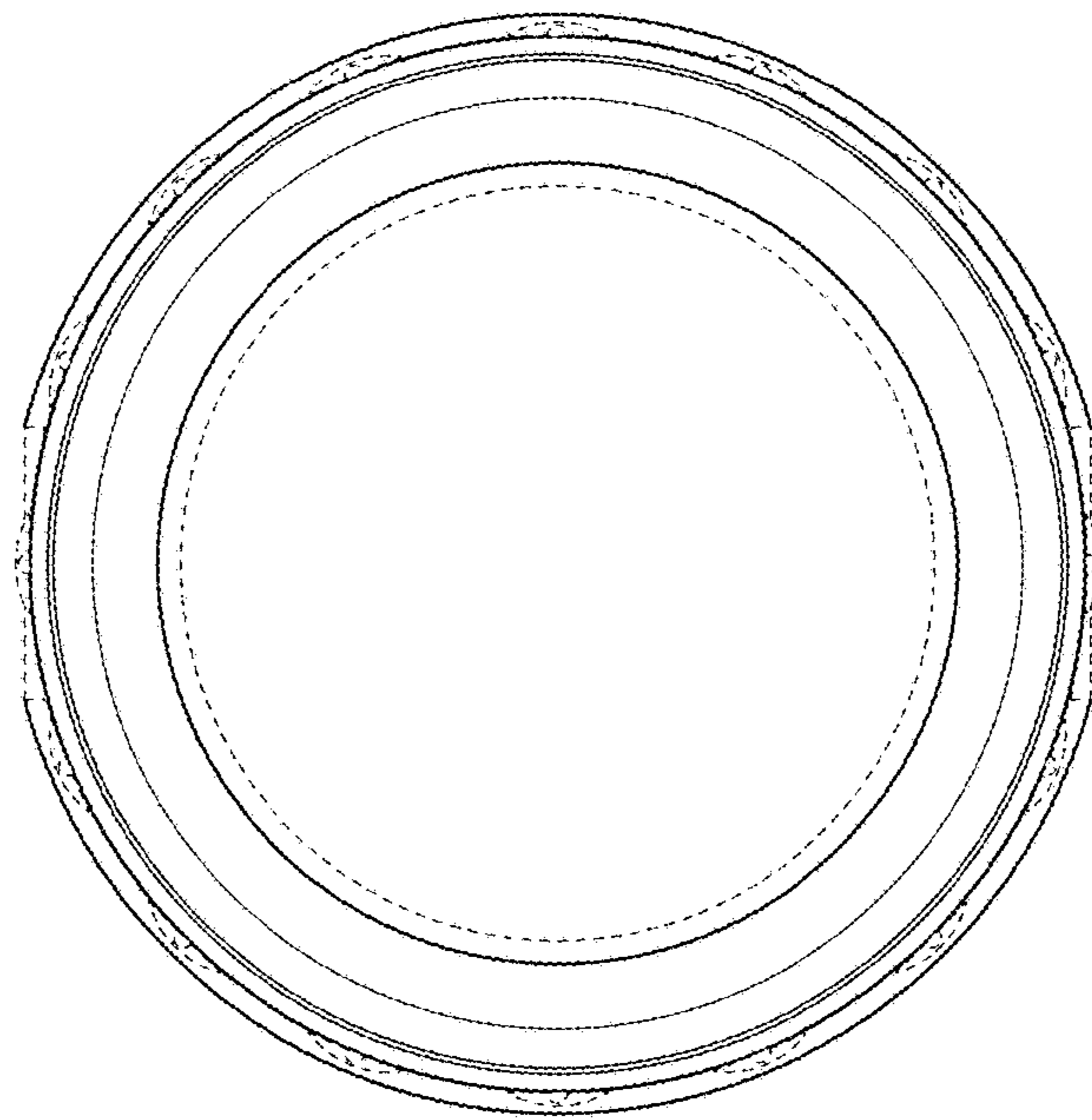


FIG. 6