



US00D861479S

(12) **United States Design Patent**
Hartman et al.

(10) **Patent No.:** **US D861,479 S**

(45) **Date of Patent:** **** Oct. 1, 2019**

(54) **COMBINED FOOD PACKAGE AND LABEL**

(71) Applicant: **Sargento Foods Inc.**, Plymouth, WI (US)

(72) Inventors: **Ryan Hartman**, Plymouth, WI (US);
Kevin W. Heidemann, Sheboygan, WI (US)

(73) Assignee: **Sargento Foods Inc.**, Plymouth, WI (US)

(**) Term: **15 Years**

(21) Appl. No.: **29/625,788**

(22) Filed: **Nov. 13, 2017**

(51) **LOC (12) Cl.** **09-03**

(52) **U.S. Cl.**

USPC **D9/425**; D9/432; D9/456

(58) **Field of Classification Search**

USPC D9/434, 499, 414-416, 418, 419-423,
D9/425, 426, 430-433, 737, 759-761,
D9/456; D3/201, 203.1, 203.5, 203.6;
D7/601, 602, 609

CPC B65D 5/0209; B65D 5/40; B65D 5/72;
B65D 5/727

See application file for complete search history.

(56) **References Cited**

U.S. PATENT DOCUMENTS

D191,070 S *	8/1961	McCreery	D9/431
D203,772 S *	2/1966	Reifers	D9/425
D240,597 S *	7/1976	Persson	D9/425
D305,732 S *	1/1990	Hadtke	D9/415
D352,895 S *	11/1994	van Loo	D9/418
D467,499 S *	12/2002	Garza	D9/434
D534,421 S *	1/2007	Tanner	D9/420
D685,632 S *	7/2013	Bakker	D9/431
D695,106 S *	12/2013	Yang	D9/425

D714,660 S	10/2014	Tilahun et al.	
D724,425 S *	3/2015	Atkinson	D9/415
D738,719 S *	9/2015	Breton	D9/425
D742,219 S *	11/2015	Murphy	D9/426
D780,599 S	3/2017	Tilahun et al.	

(Continued)

OTHER PUBLICATIONS

Sargento. *Balanced Breaks*. 2016. <URL:https://www.sargento.com/our-cheese/balanced-breaks>. (Year: 2016).*

Primary Examiner — George D. Kirschbaum

Assistant Examiner — Darcey E Gottschalk

(74) *Attorney, Agent, or Firm* — Boyle Fredrickson, S.C.

(57) **CLAIM**

We claim the ornamental design for a combined food package and label, as shown and described.

DESCRIPTION

FIG. 1 is a front perspective view of a combined food package and label.

FIG. 2 is a rear perspective view of the combined food package and label shown in FIG. 1.

FIG. 3 is a front view of the combined food package and label shown in FIG. 1.

FIG. 4 is a rear view of the combined food package and label shown in FIG. 1.

FIG. 5 is a left side view of the combined food package and label shown in FIG. 1.

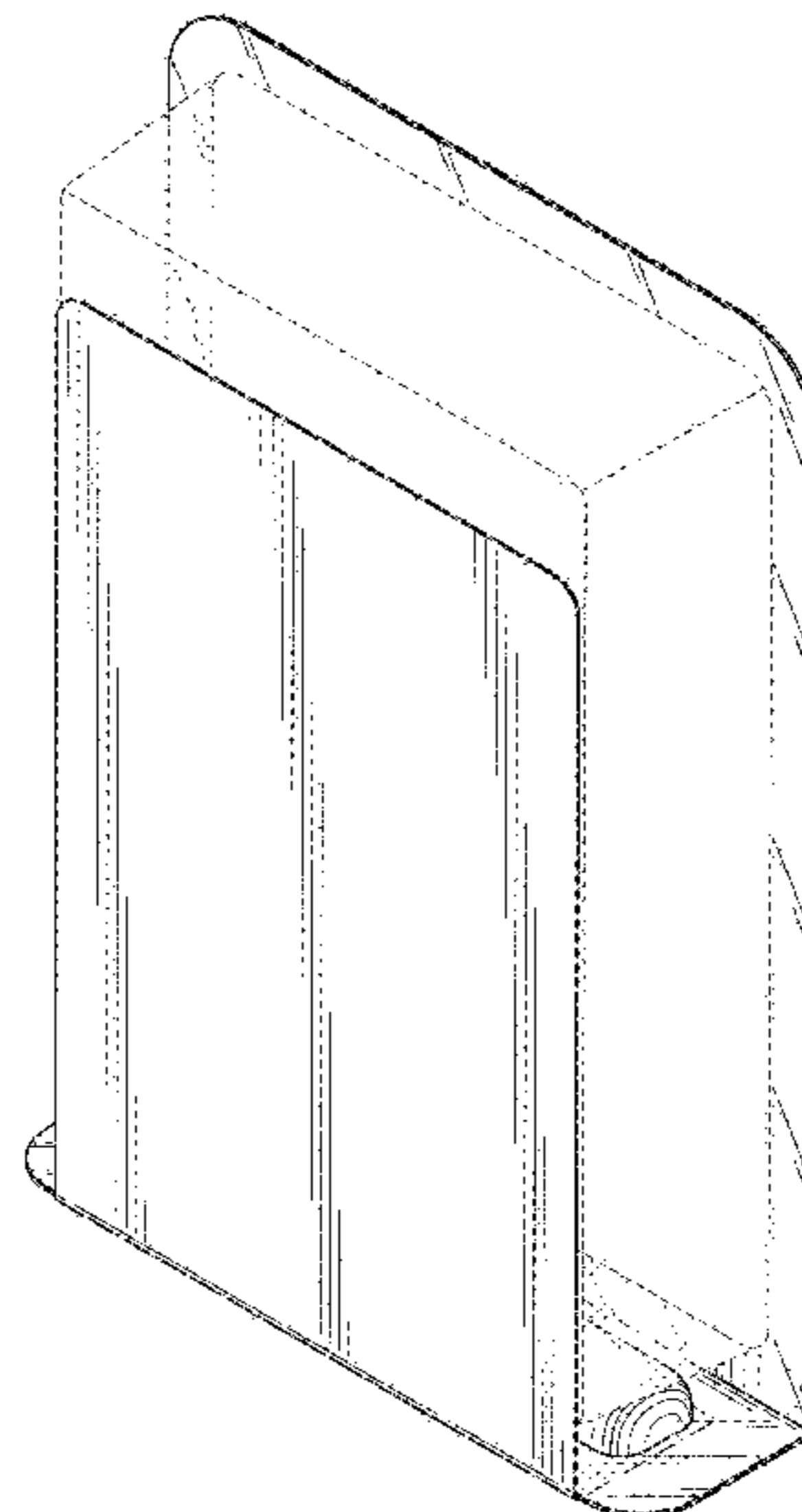
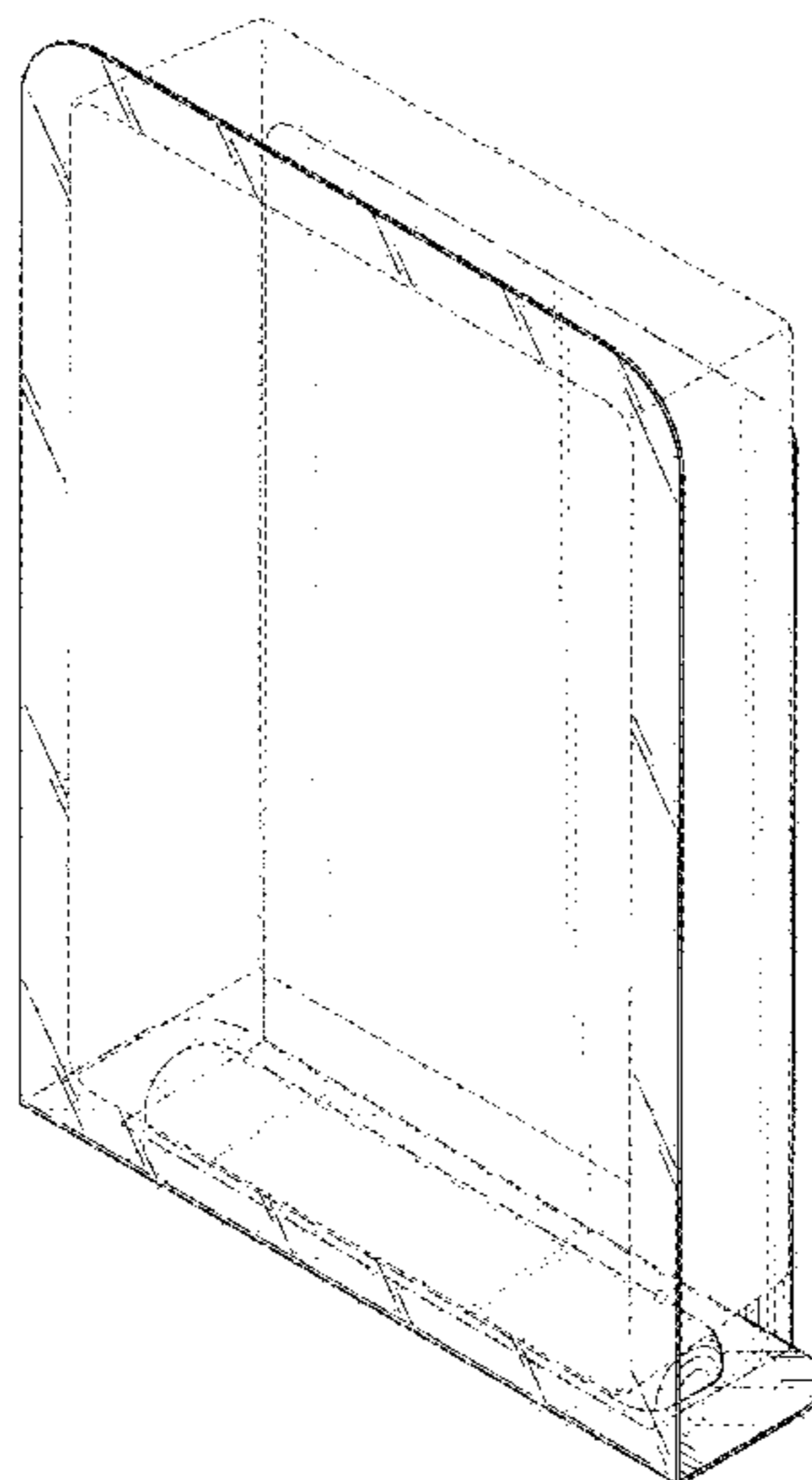
FIG. 6 is a right side view of the combined food package and label shown in FIG. 1.

FIG. 7 is a top view of the combined food package and label shown in FIG. 1; and,

FIG. 8 is a bottom view of the combined food package and label shown in FIG. 1.

The broken lines having equal length segments represent portions of the food package and label that form no part of the claimed design.

1 Claim, 6 Drawing Sheets



(56)

References Cited

U.S. PATENT DOCUMENTS

D793,817 S * 8/2017 Chen D7/602
D803,680 S * 11/2017 Morris D9/431

* cited by examiner

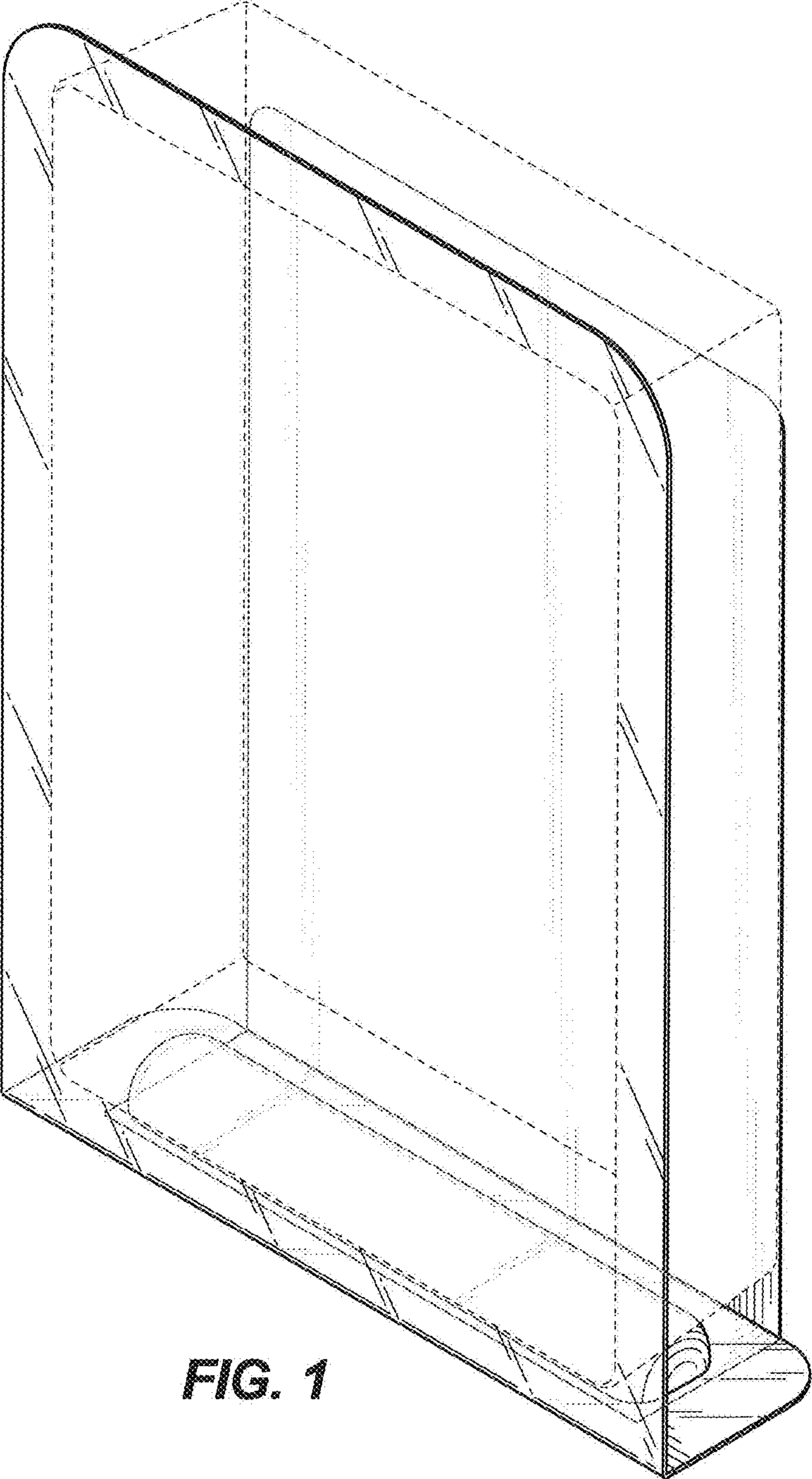


FIG. 1

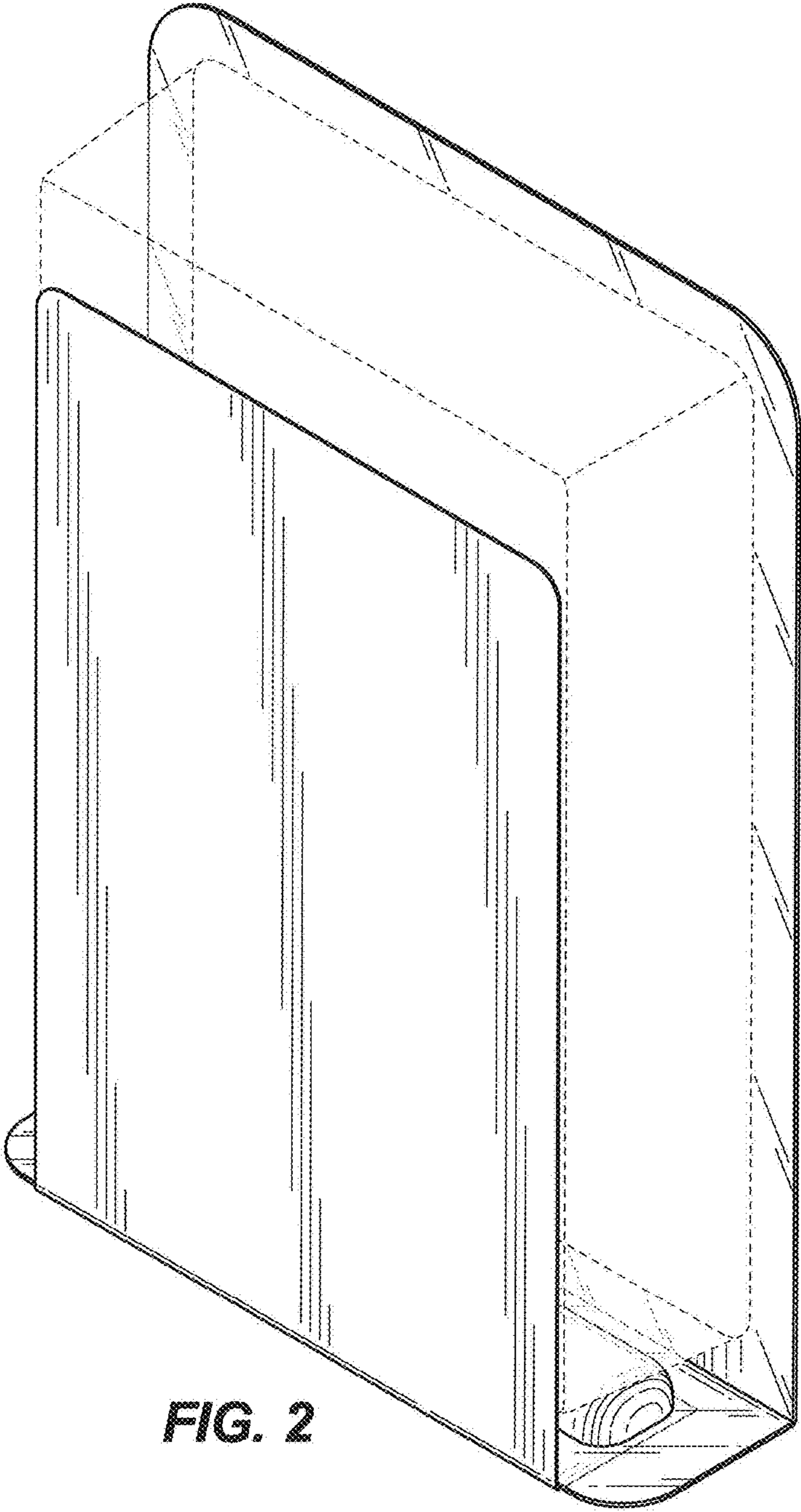


FIG. 2

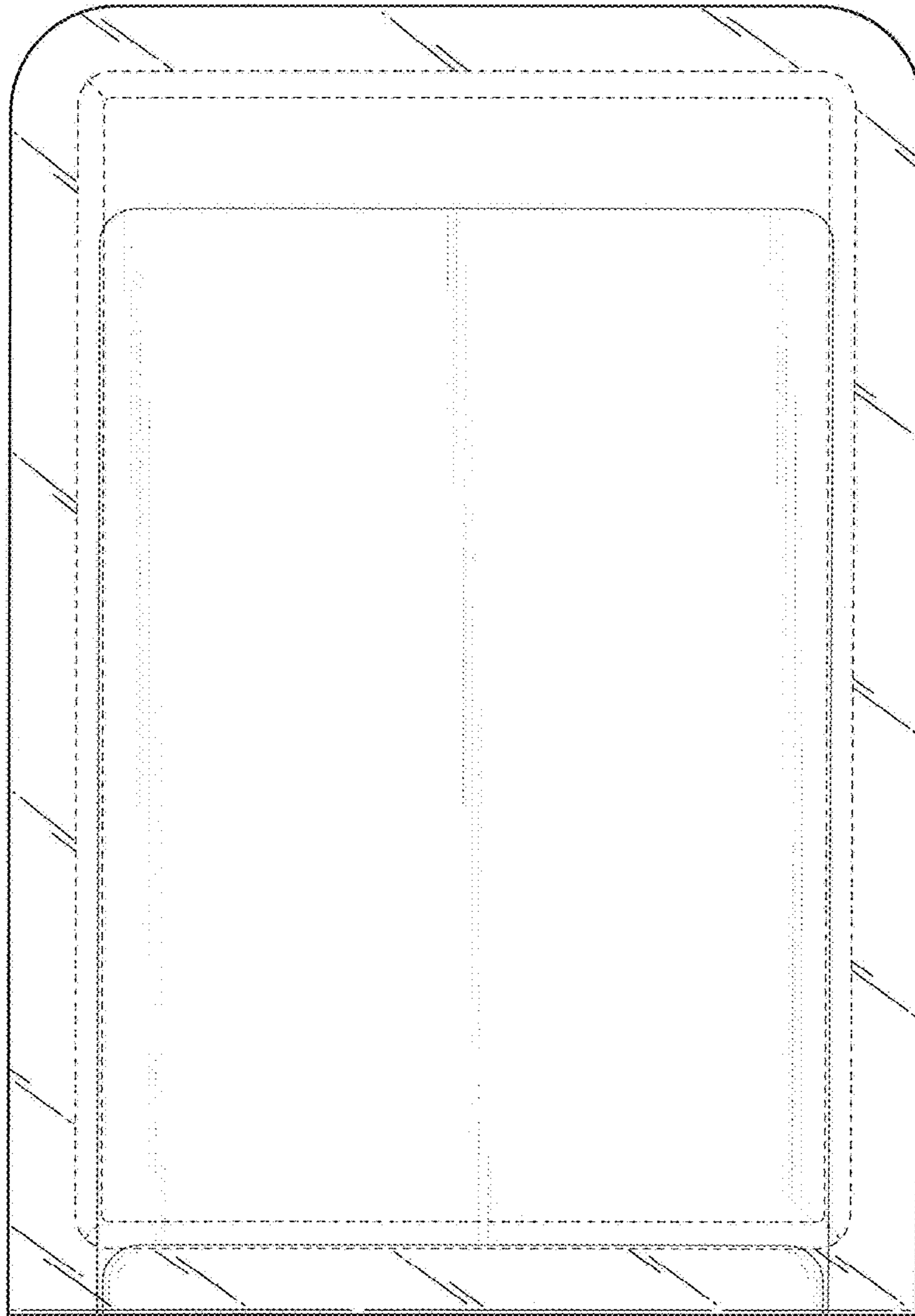


FIG. 3

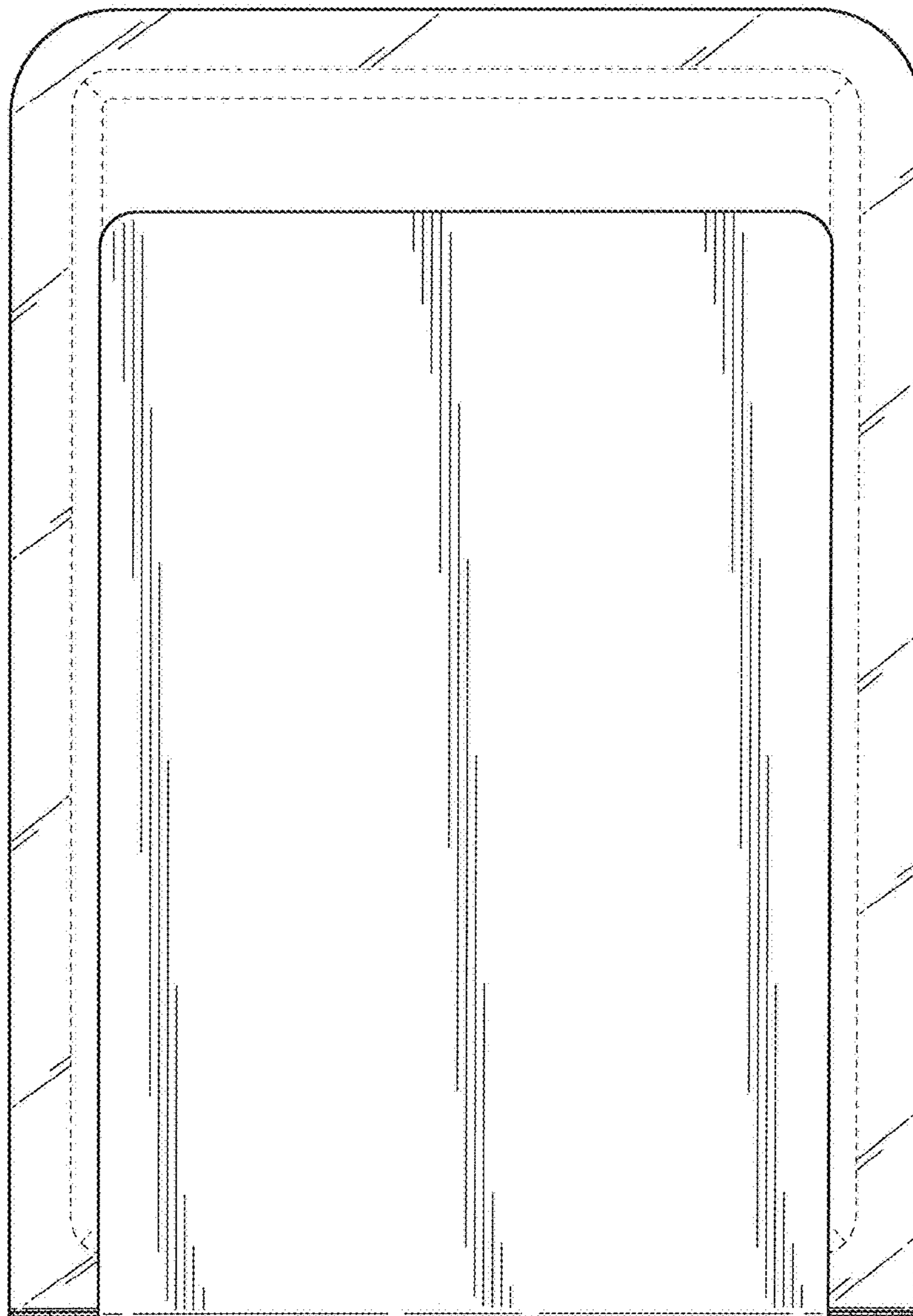


FIG. 4

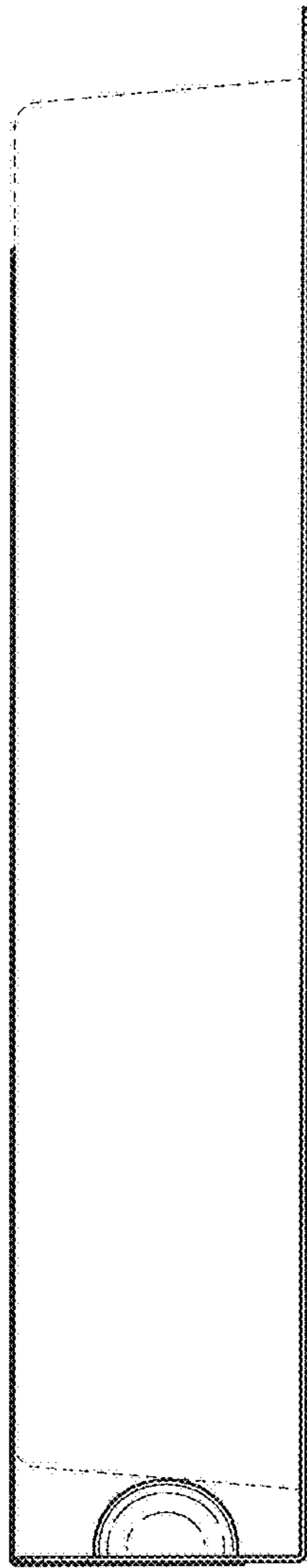


FIG. 5

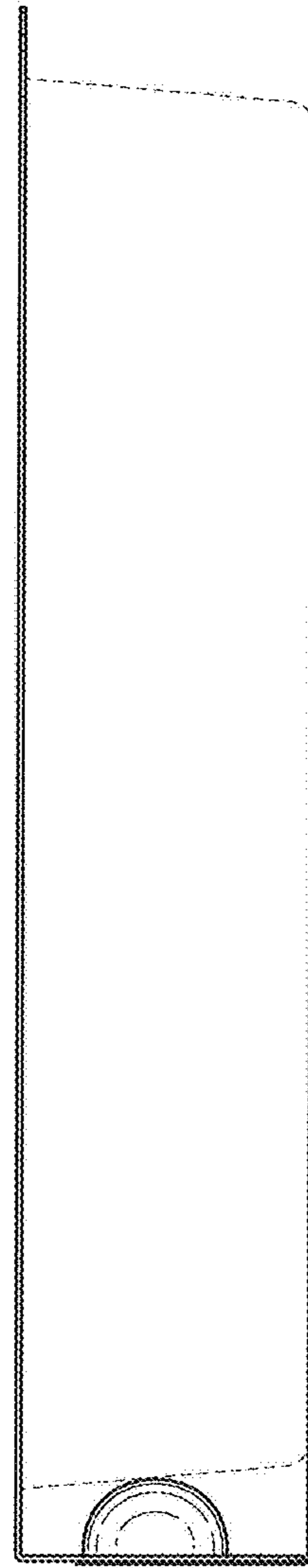


FIG. 6

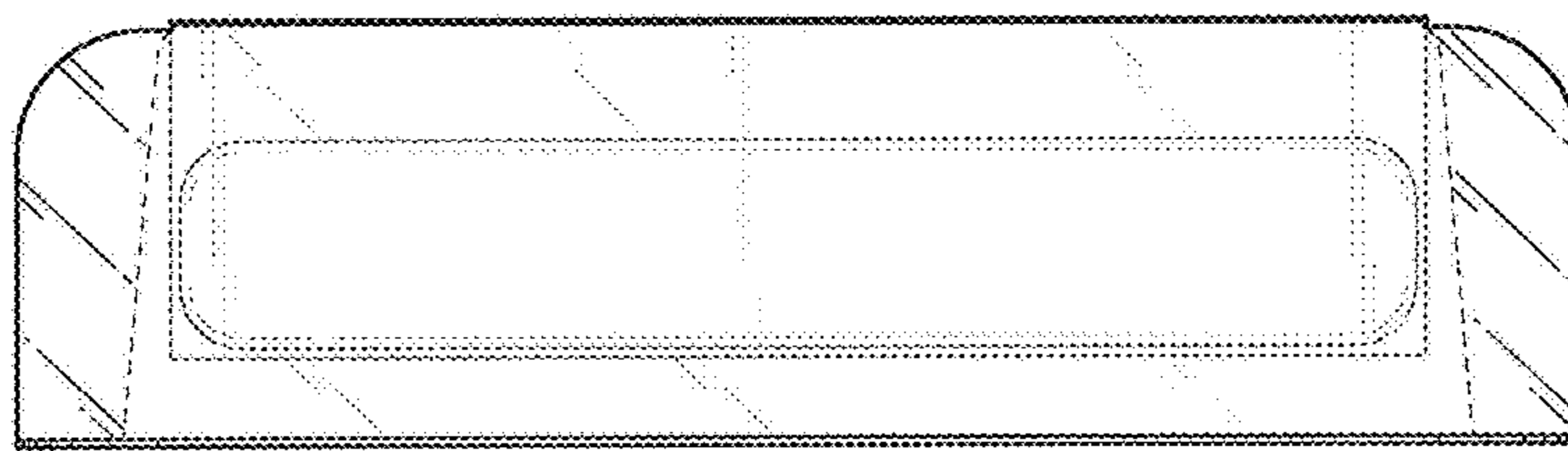


FIG. 7

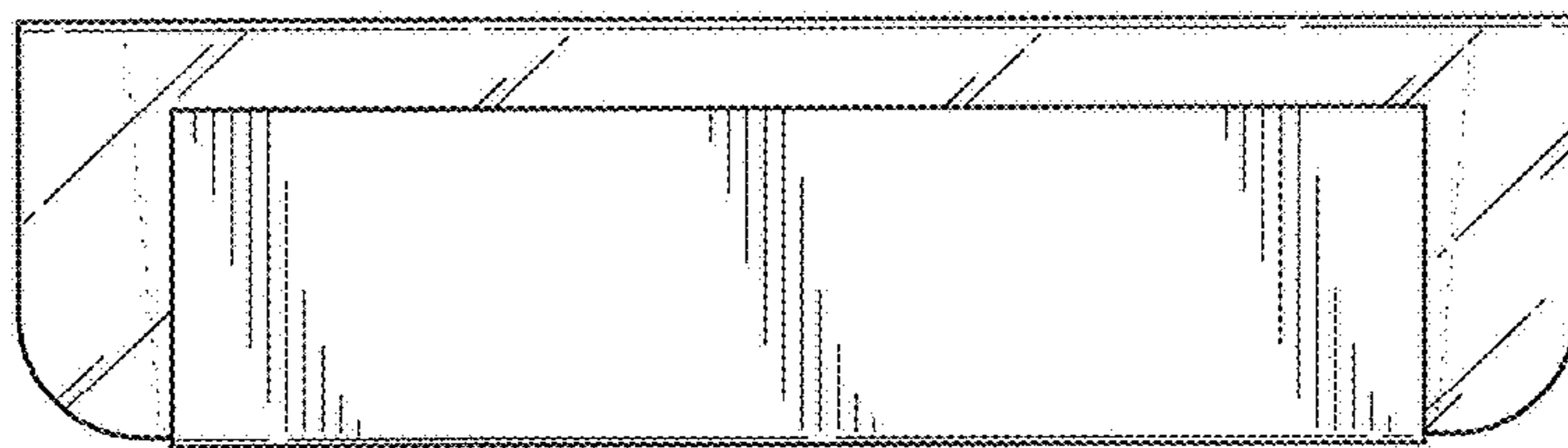


FIG. 8