



US00D861478S

(12) **United States Design Patent Binder**

(10) **Patent No.:** **US D861,478 S**

(45) **Date of Patent:** **** Oct. 1, 2019**

(54) **SPONGE PACKAGE**

(71) Applicant: **SPONGELLE LLC**, Inglewood, CA (US)

(72) Inventor: **Elaine Binder**, Los Angeles, CA (US)

(73) Assignee: **Spongelle, LLC**, Inglewood, CA (US)

(**) Term: **15 Years**

(21) Appl. No.: **29/624,407**

(22) Filed: **Oct. 31, 2017**

(51) **LOC (12) Cl.** **09-03**

(52) **U.S. Cl.**
USPC **D9/420**

(58) **Field of Classification Search**

USPC D9/414, 420, 430, 431, 432, 686, 687, D9/721; D3/20, 200, 201, 203.6, 226, D3/232, 243, 294, 315, 324, 327; 229/100, 111, 112
CPC ... B65D 5/38; B65D 5/42; B65D 5/66; B65D 5/4204; B65D 43/16; B65D 43/22; B65D 43/162; B65D 2543/00194; B65D 2543/00101; B65D 85/07; B65D 85/16; B65D 85/67; A45C 3/00; A45C 3/02; A45C 3/06; A45C 5/00; A45C 7/0059; A45C 11/00; A45C 11/02; A45C 11/38; A45C 15/00

See application file for complete search history.

(56) **References Cited**

U.S. PATENT DOCUMENTS

D350,874 S *	9/1994	Gowin	D3/232
D381,197 S *	7/1997	Green	D3/201
D495,950 S *	9/2004	Cotert	D9/423
D522,748 S *	6/2006	Kim	D3/294
D549,093 S *	8/2007	Weakland	D9/420
D561,989 S *	2/2008	Jones	D3/201
D606,857 S *	12/2009	Stewart	D9/432
D619,432 S *	7/2010	LaBonte	D3/232

D685,629 S *	7/2013	McAdam	D9/420
D687,295 S *	8/2013	Park	D9/420
D748,466 S *	2/2016	Martin	D9/420
D809,912 S *	2/2018	Ng	D9/420
D838,975 S *	1/2019	Smilovic	D3/232

(Continued)

Primary Examiner — Wan Laymon

Assistant Examiner — Clint A Samuel

(74) *Attorney, Agent, or Firm* — Hankin Patent Law, APC; Kevin Schraven; Anooj Patel

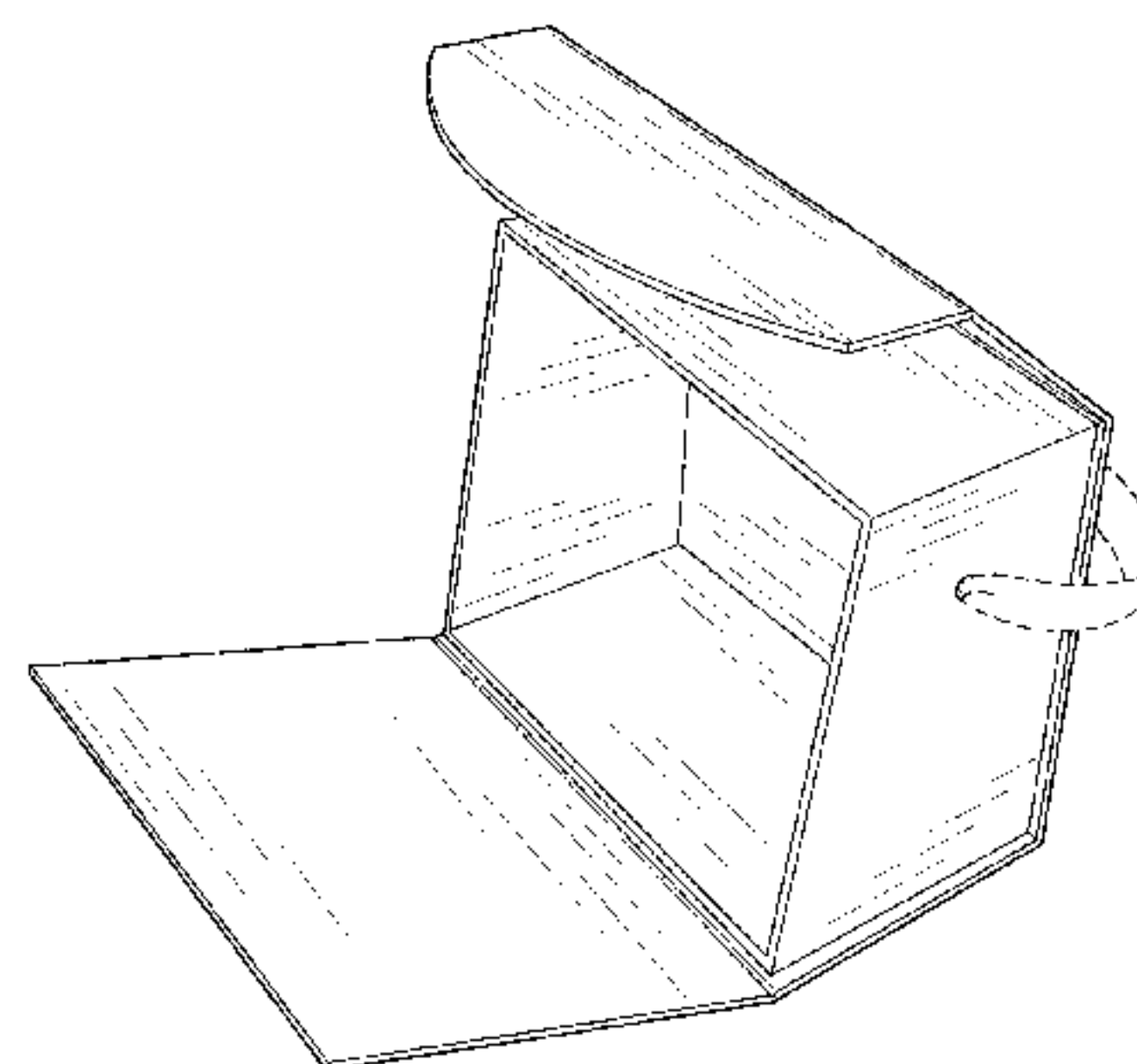
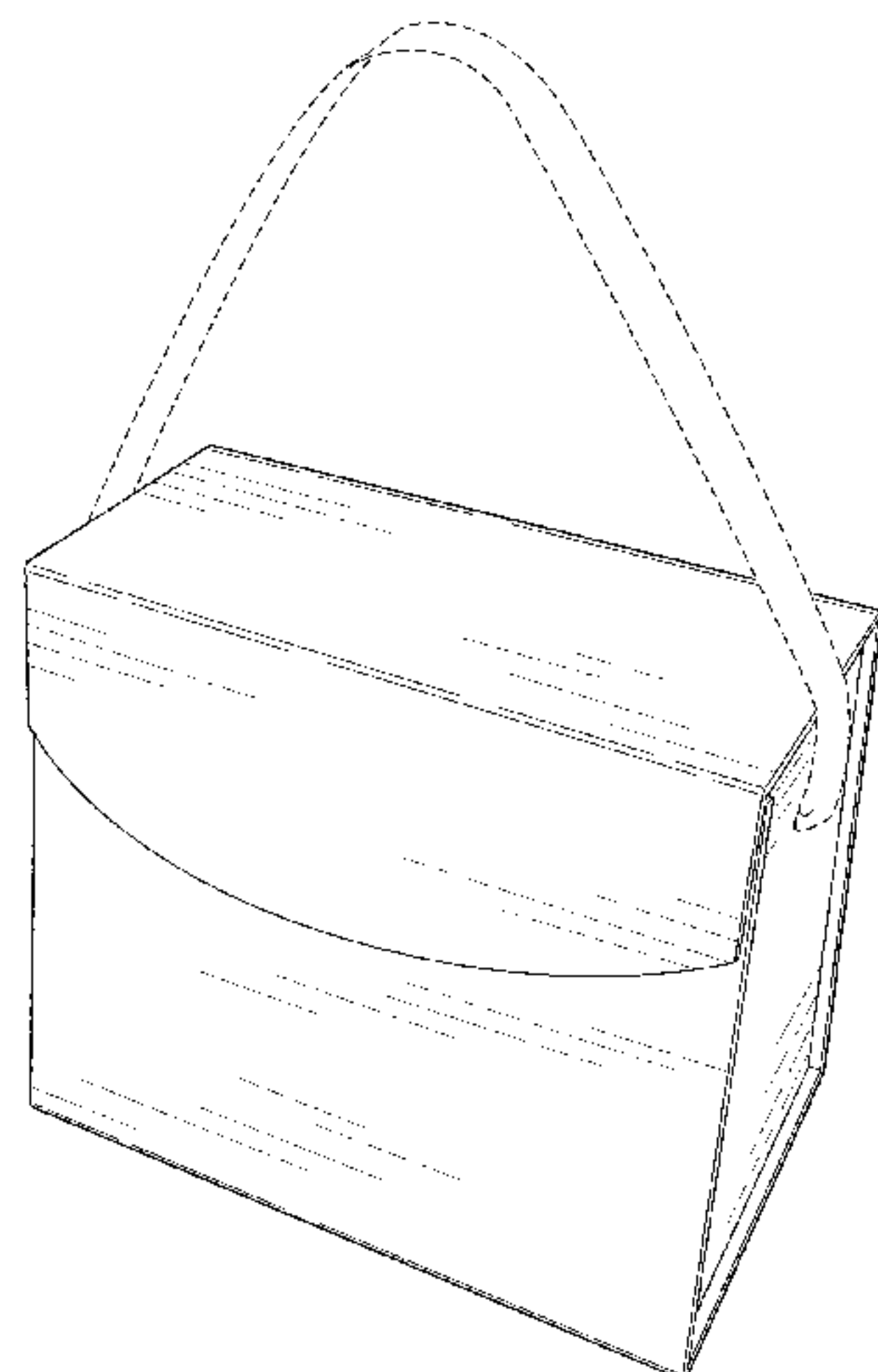
(57) **CLAIM**

The ornamental design for a sponge package, as shown and described.

DESCRIPTION

FIG. 1 is a top perspective view of a first embodiment of a sponge package, showing my new design.
FIG. 2 is a bottom perspective view thereof.
FIG. 3 is a front elevational view thereof.
FIG. 4 is a rear elevational view thereof.
FIG. 5 is a left side elevational view thereof.
FIG. 6 is a right side elevational view thereof.
FIG. 7 is a top plan view thereof.
FIG. 8 is a bottom plan view thereof.
FIG. 9 is a top perspective view of the sponge package in an open configuration, showing my new design.
FIG. 10 is a bottom perspective view thereof.
FIG. 11 is a front elevational view thereof.
FIG. 12 is a rear elevational view thereof.
FIG. 13 is a left side elevational view thereof.
FIG. 14 is a right side elevational view thereof.
FIG. 15 is a top plan view thereof.
FIG. 16 is a bottom plan view thereof; and,
FIG. 17 is a top perspective view of the sponge package in a partially open configuration, showing my new design.
The broken lines showing the handle are for the purpose of illustrating environmental structure and unclaimed subject matter and form no part of the claimed design.

1 Claim, 17 Drawing Sheets



(56)

References Cited

U.S. PATENT DOCUMENTS

2014/0353313 A1* 12/2014 An A45C 5/02
220/230
2018/0111749 A1* 4/2018 Moon B65D 85/67

* cited by examiner

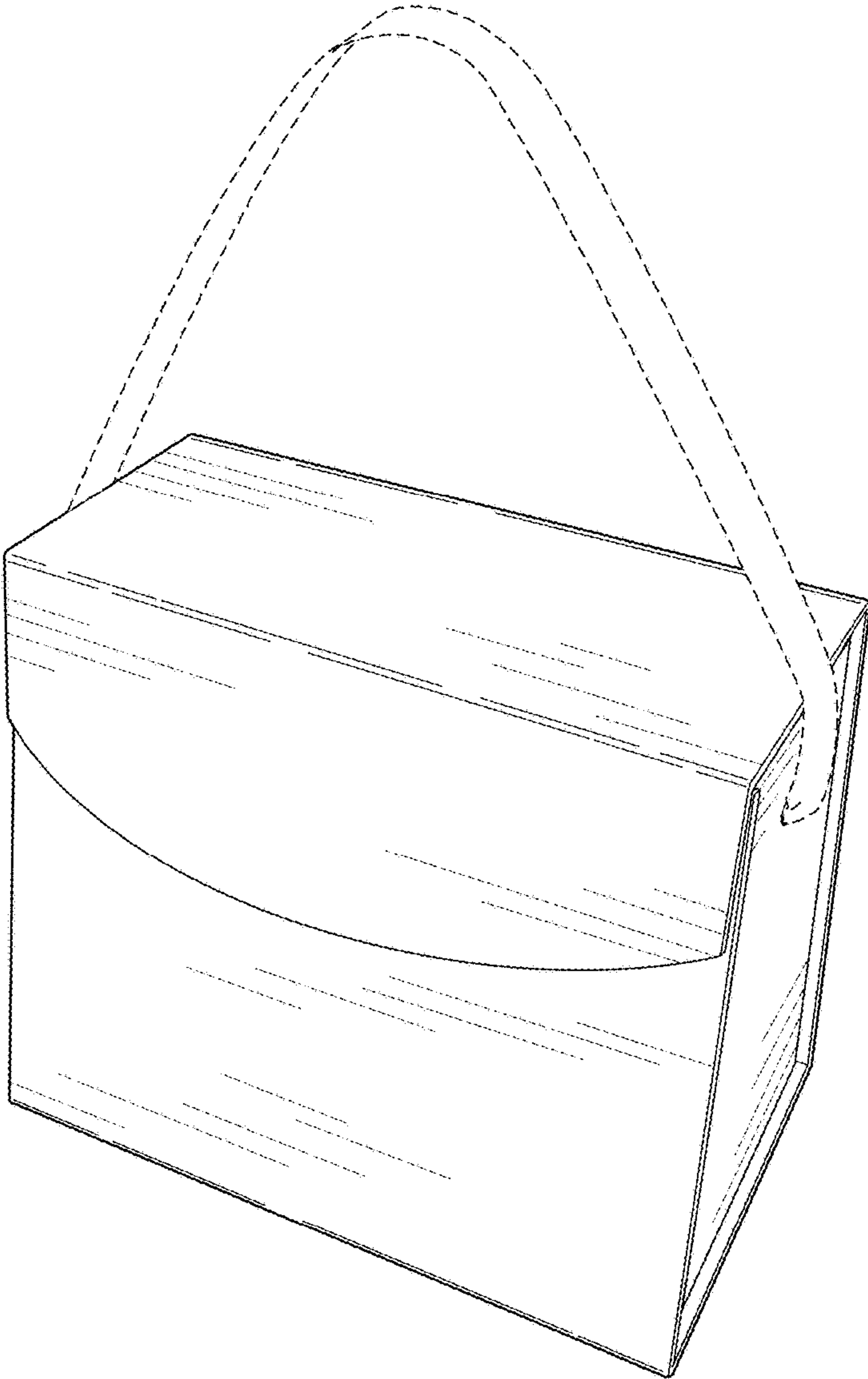


Fig. 1

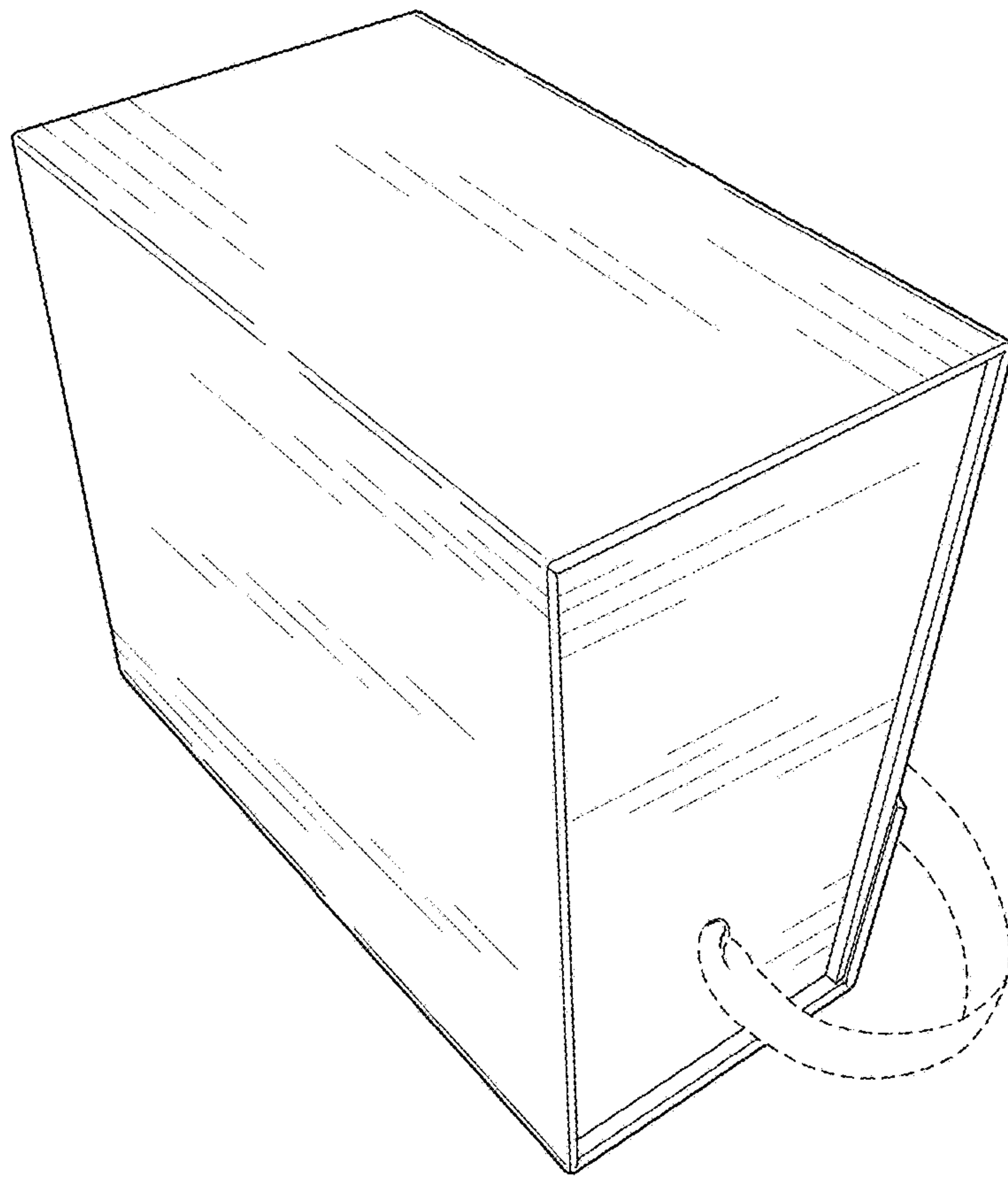


Fig.2

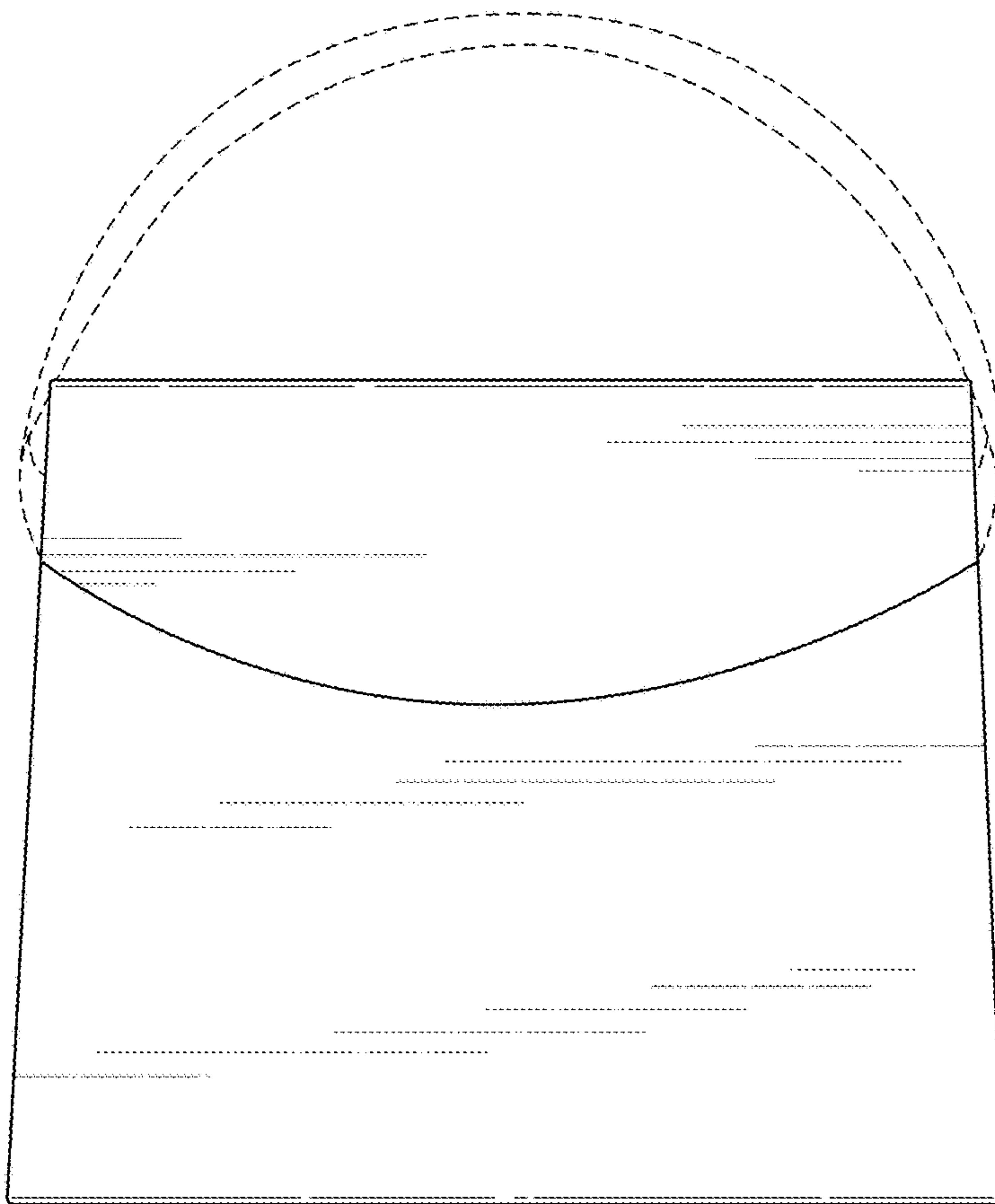


Fig.3

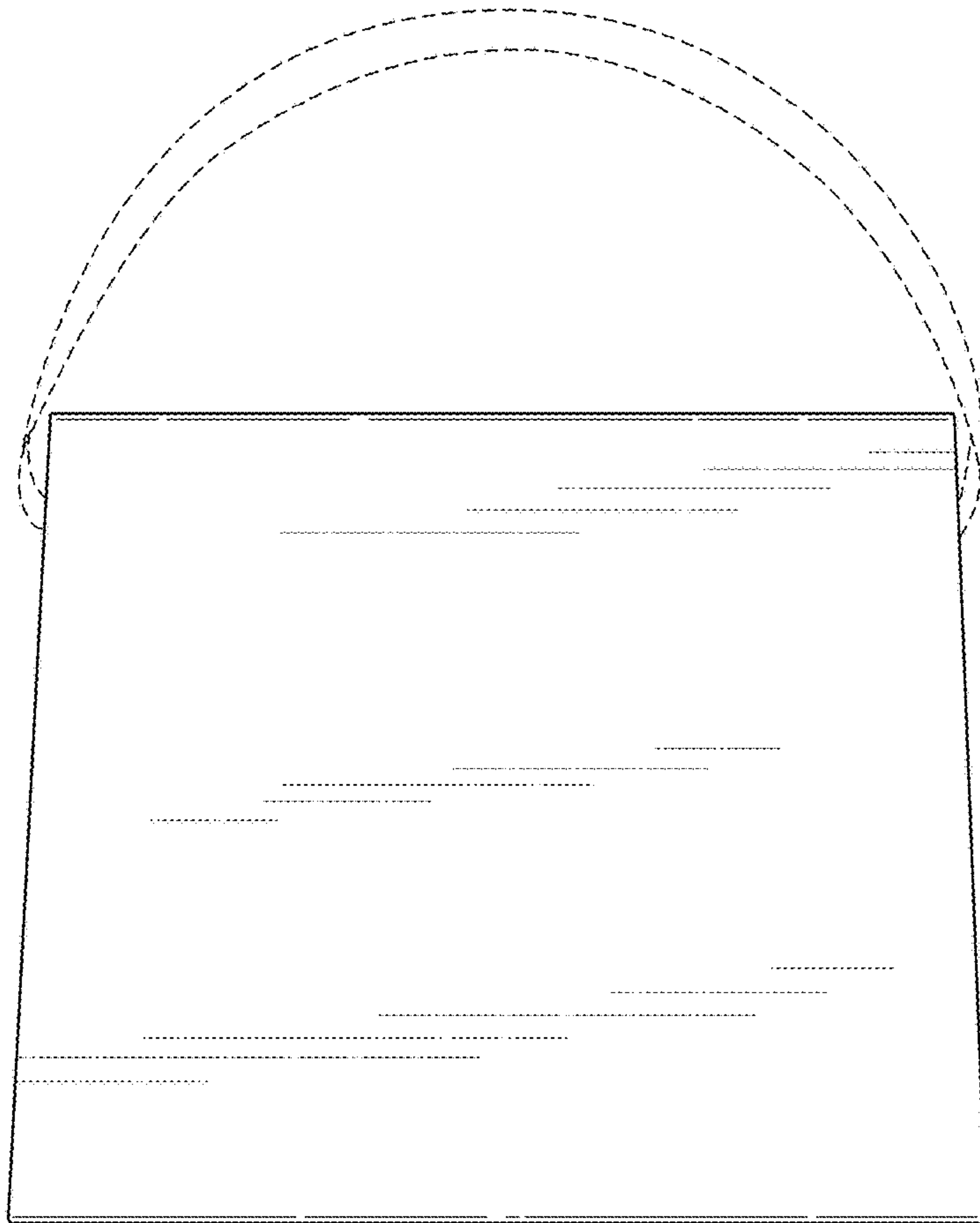


Fig.4

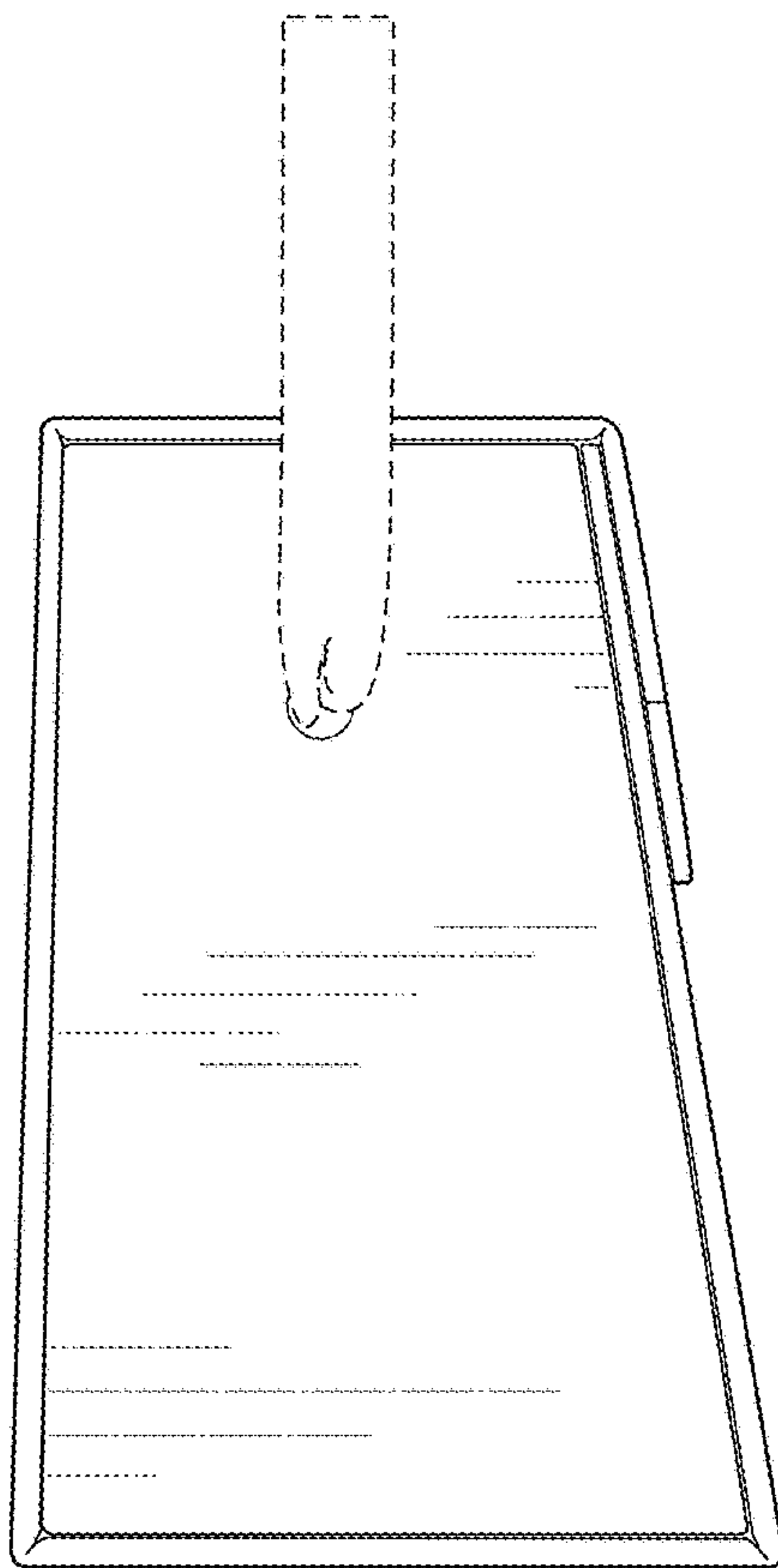


Fig.5

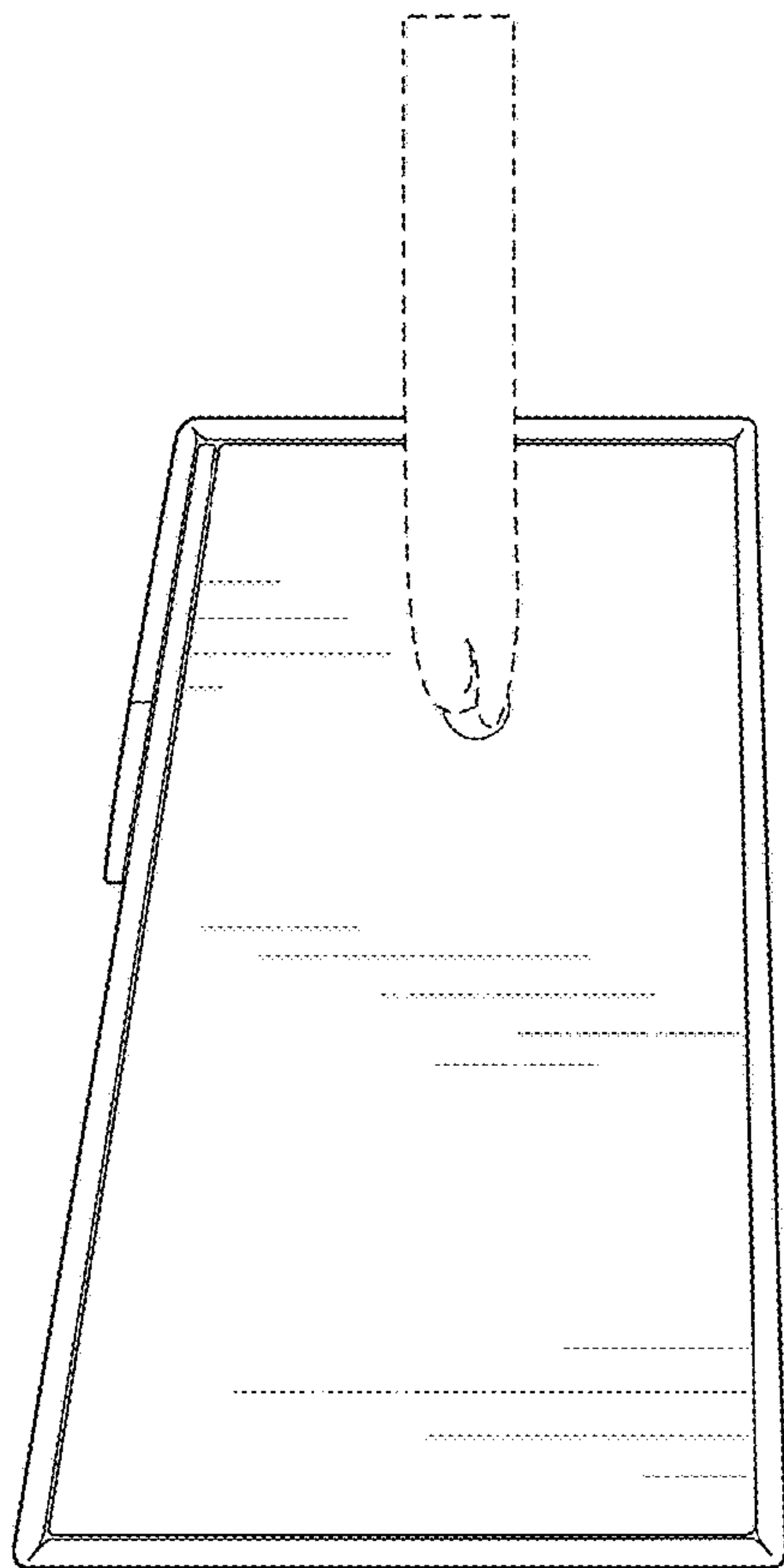


Fig.6

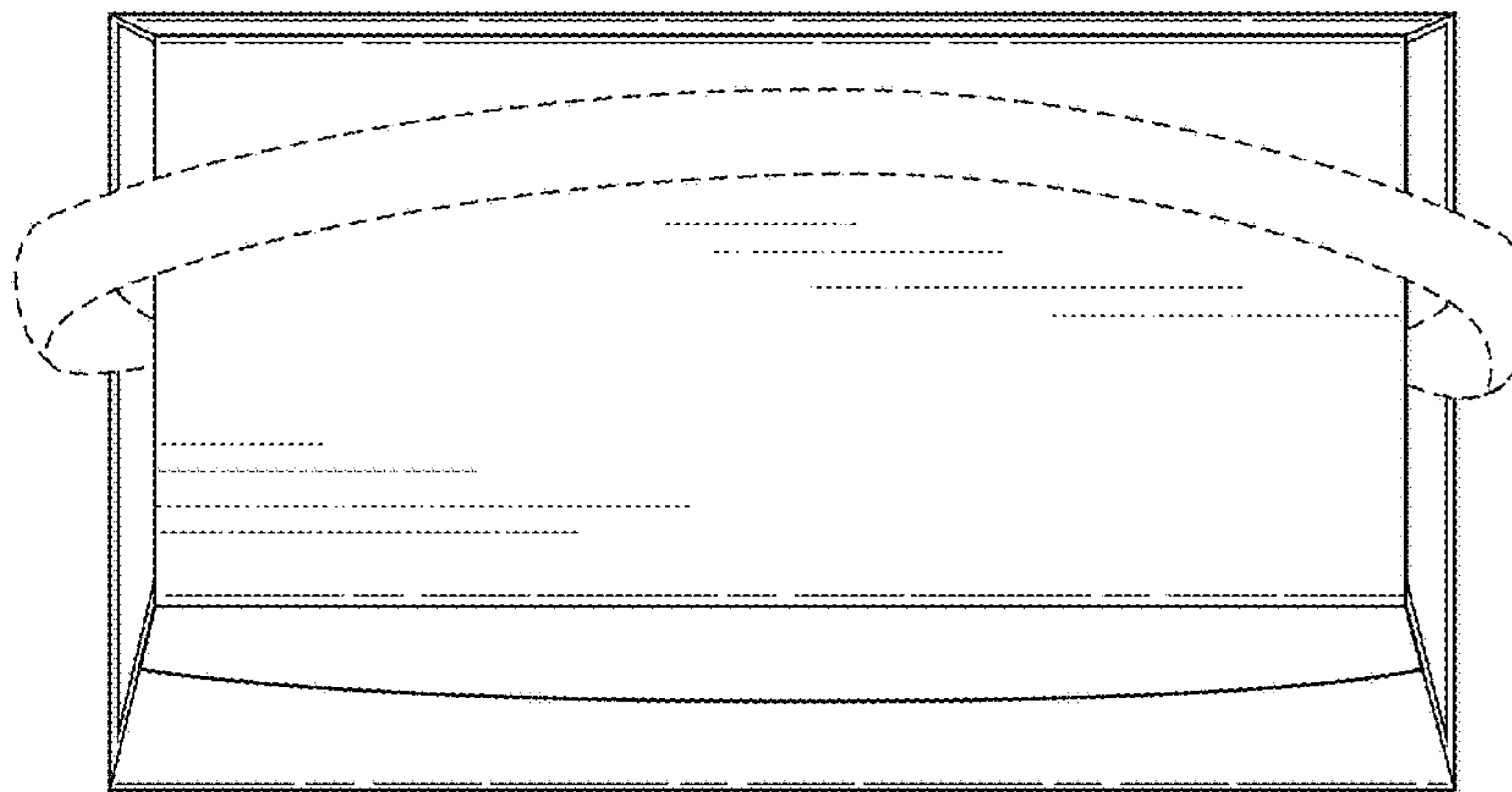


Fig.7

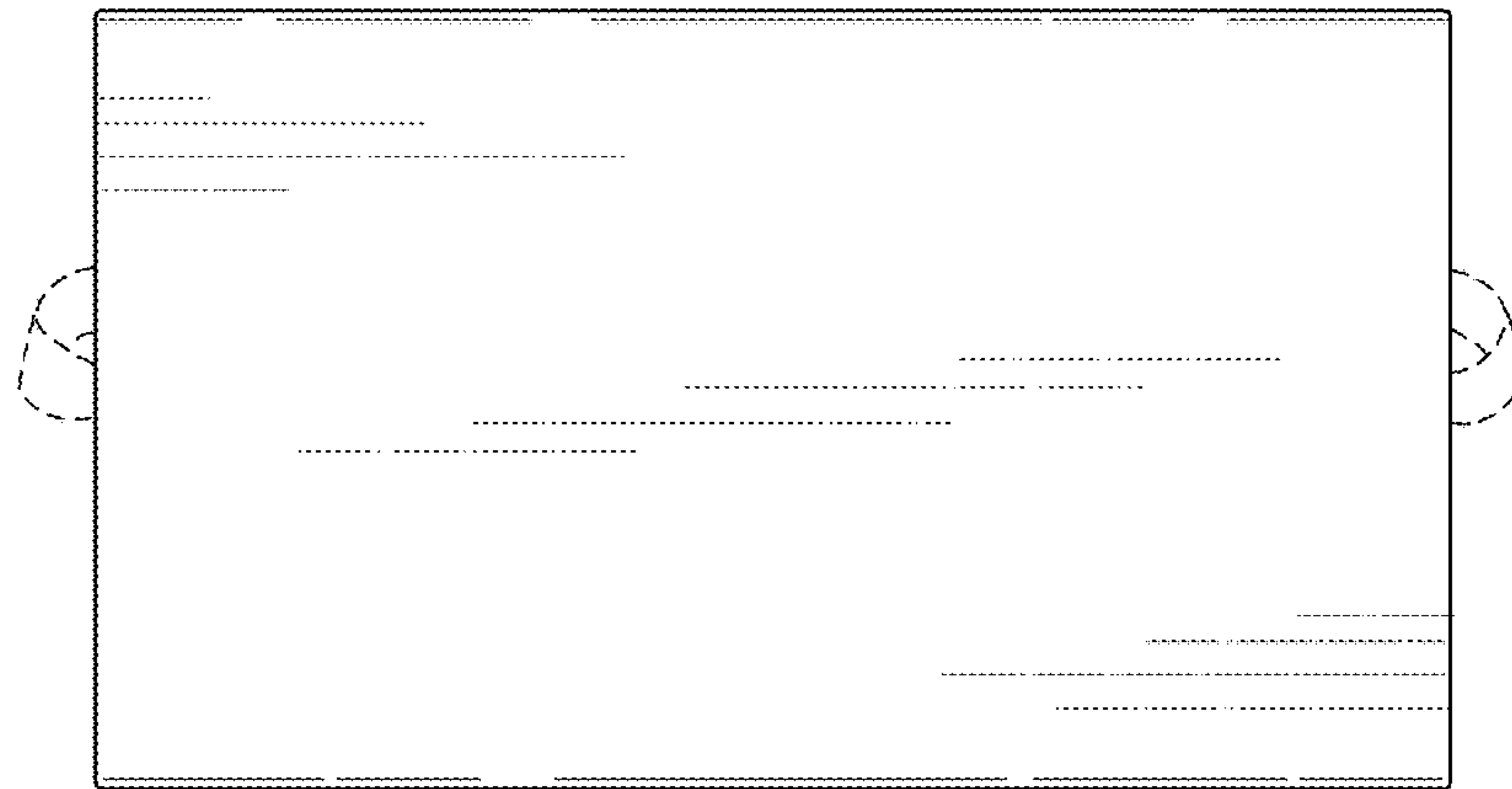


Fig.8

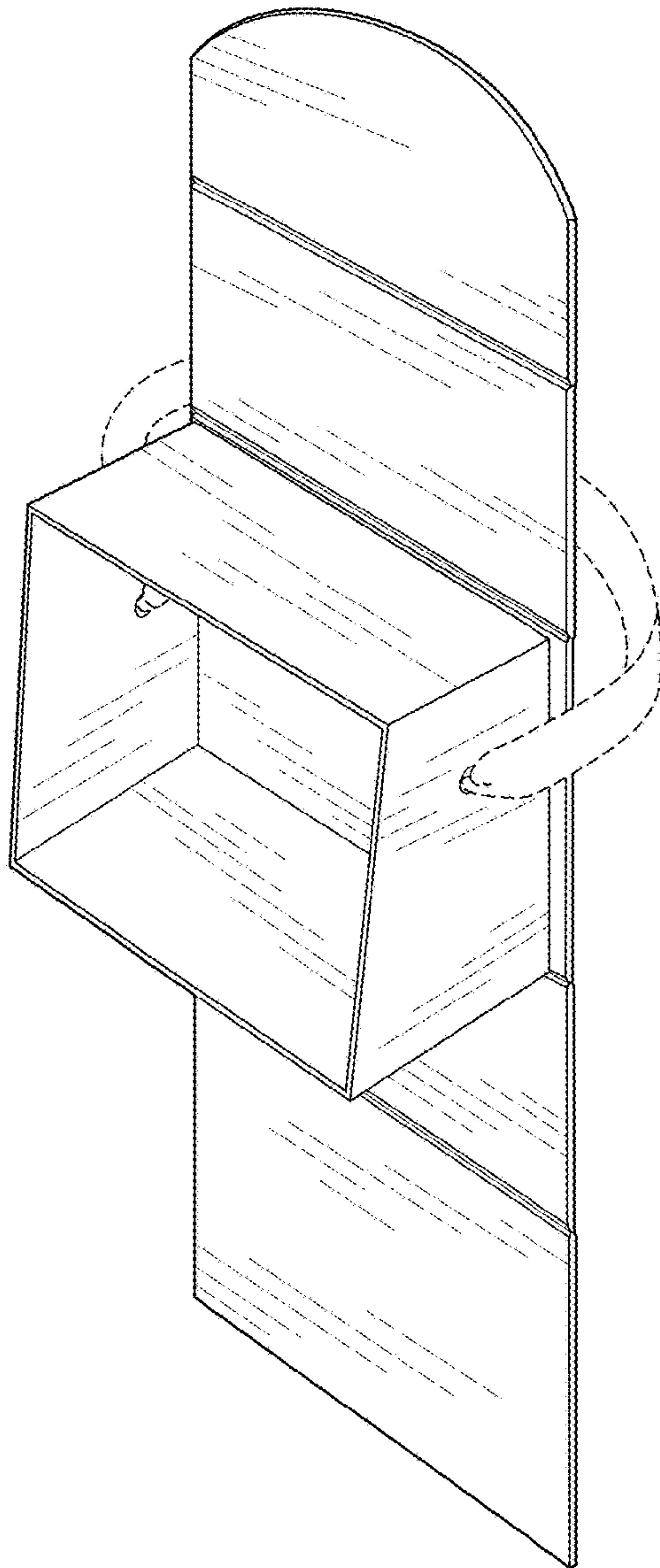


Fig.9

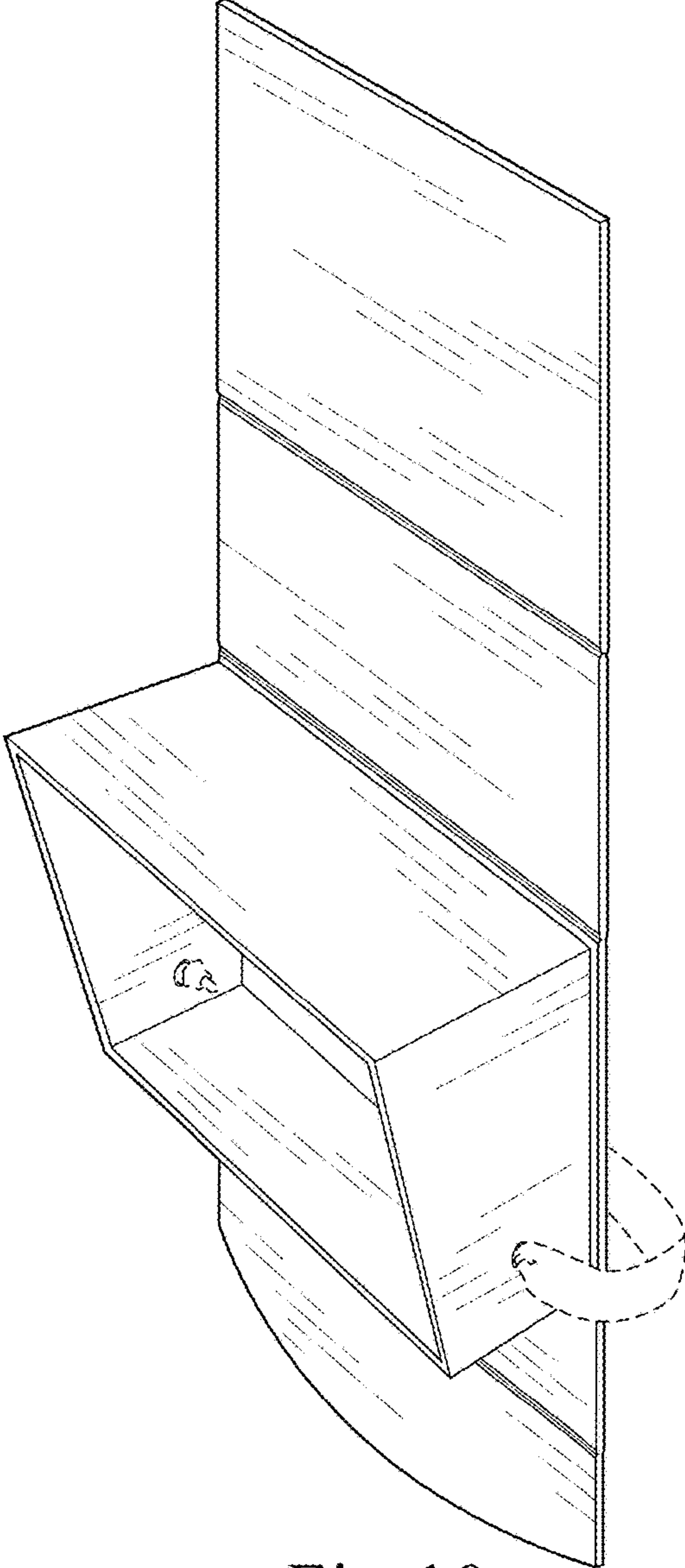


Fig. 10

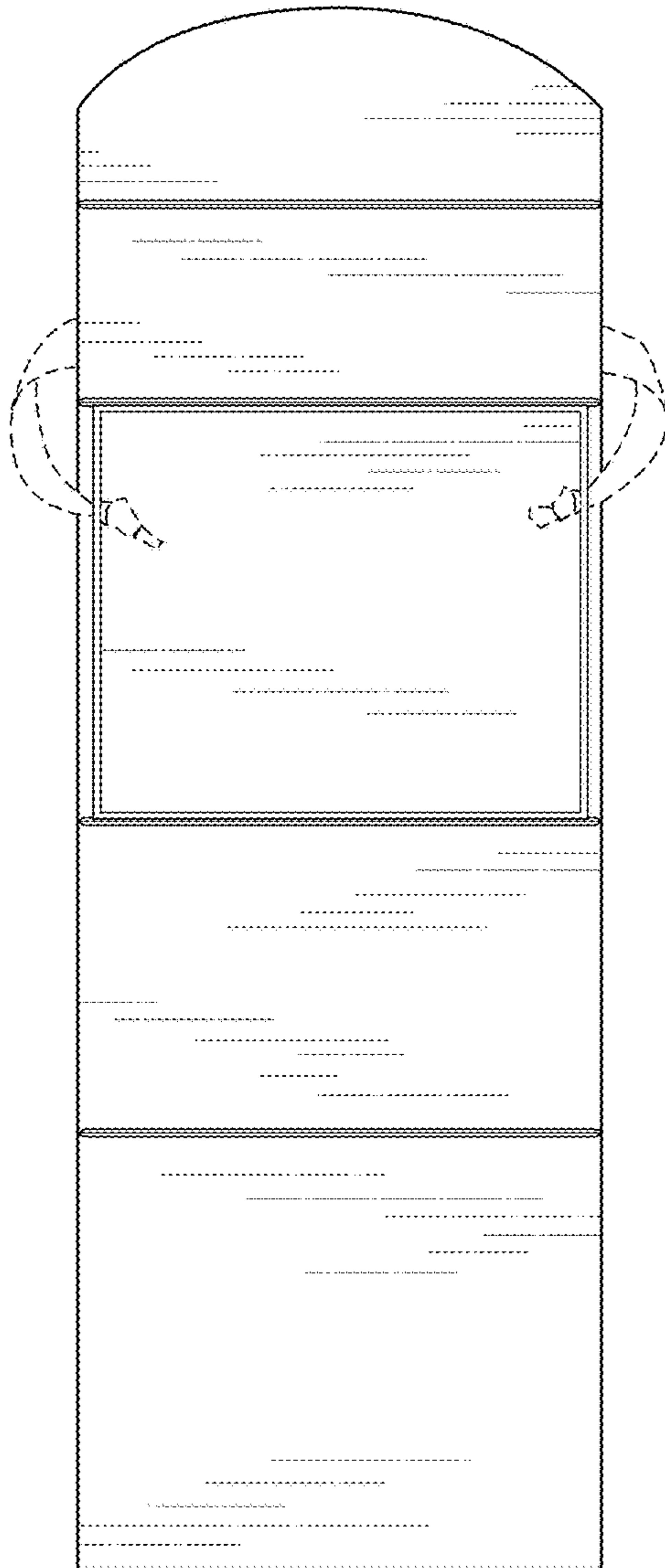


Fig. 11

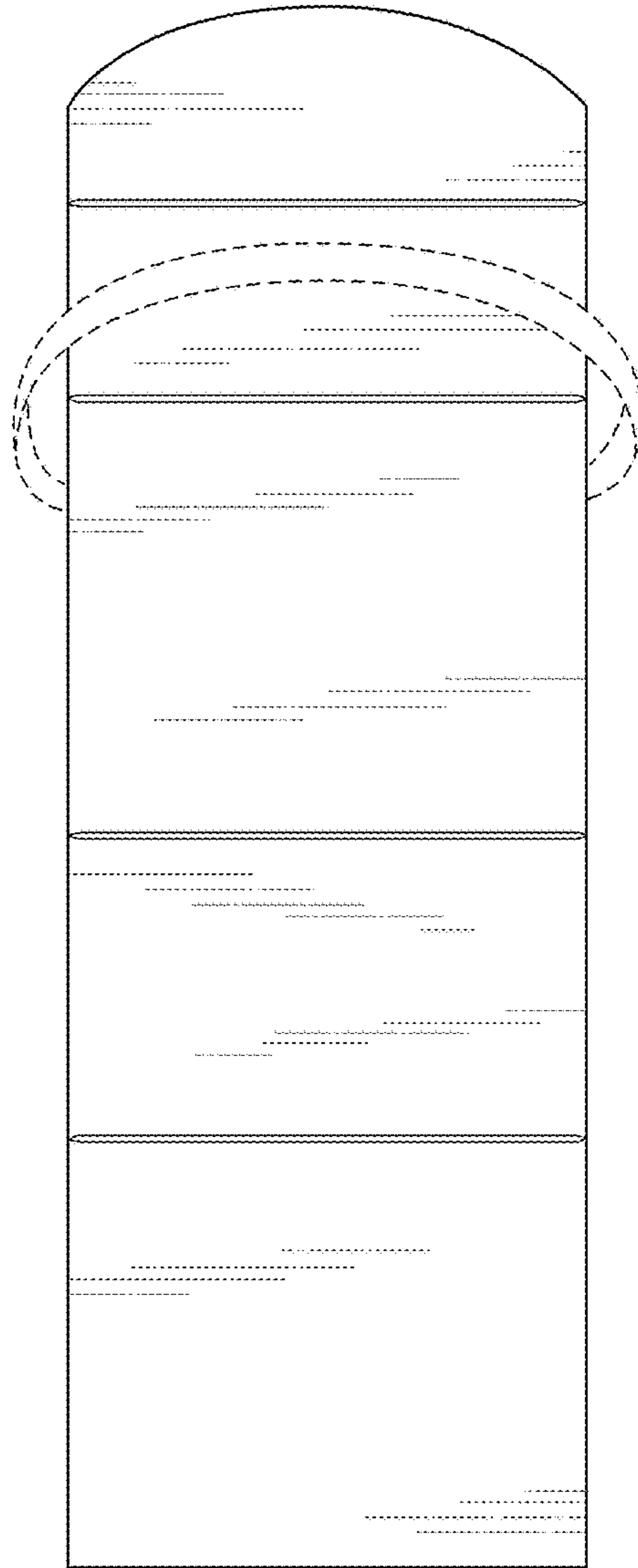


Fig.12

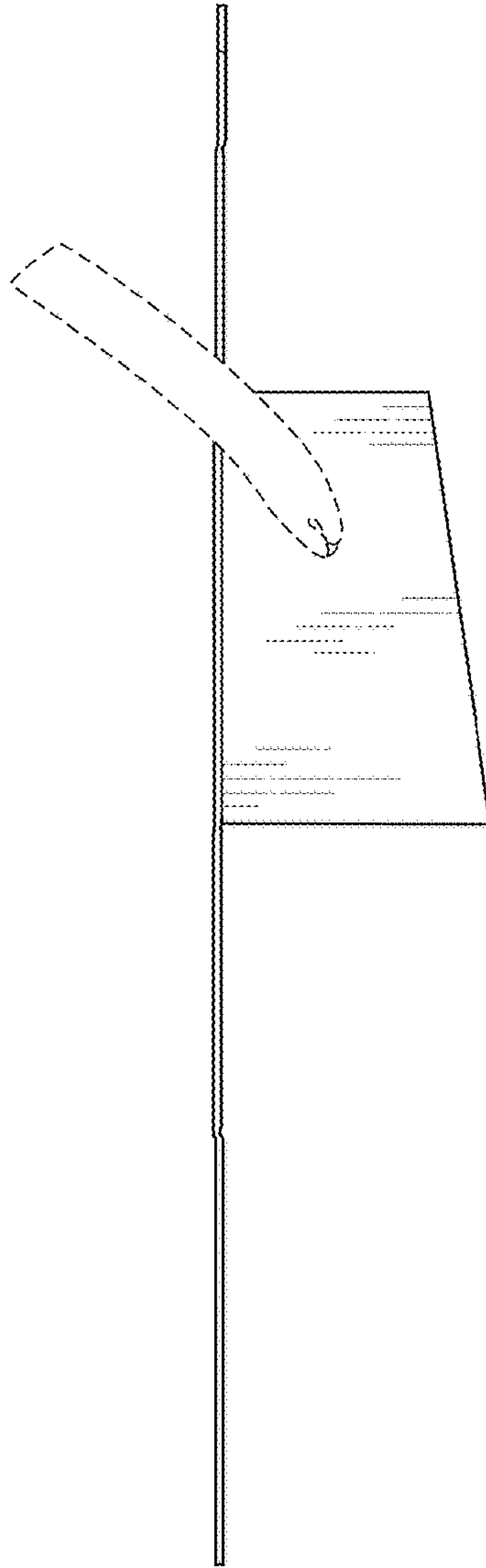


Fig.13

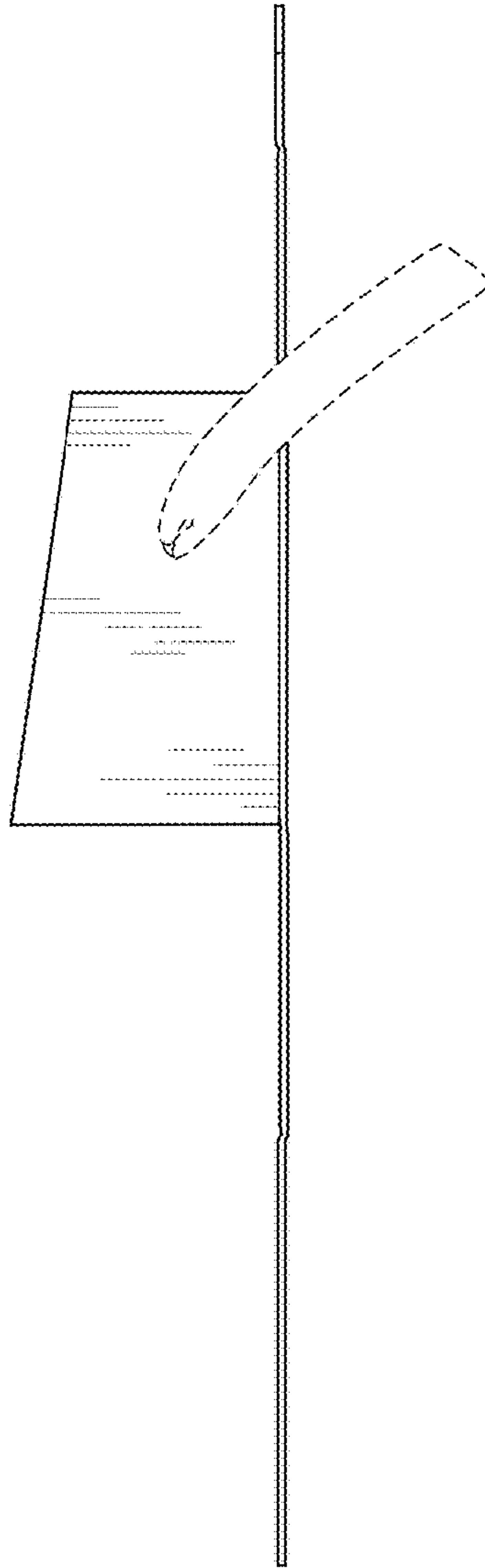


Fig.14

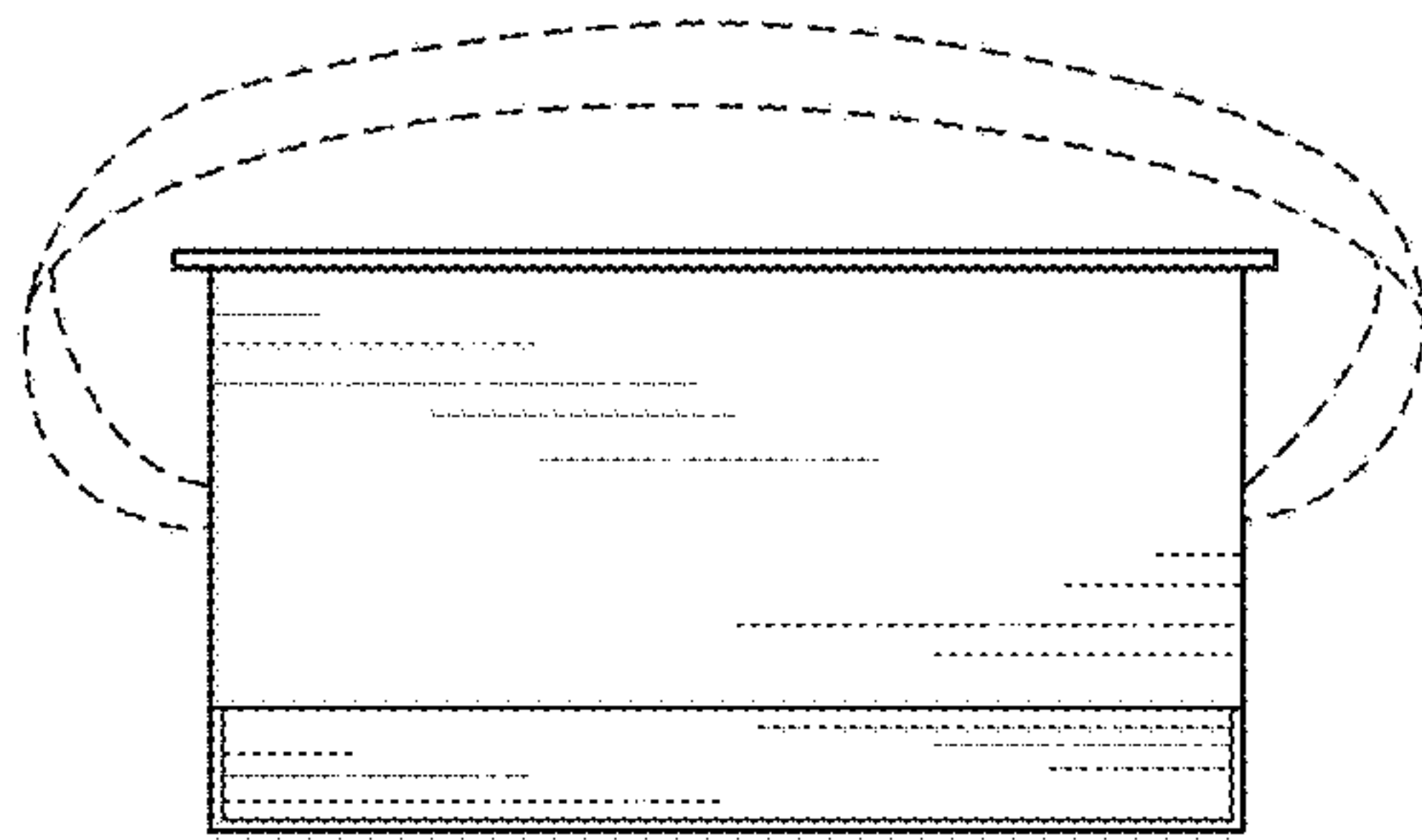


Fig.15

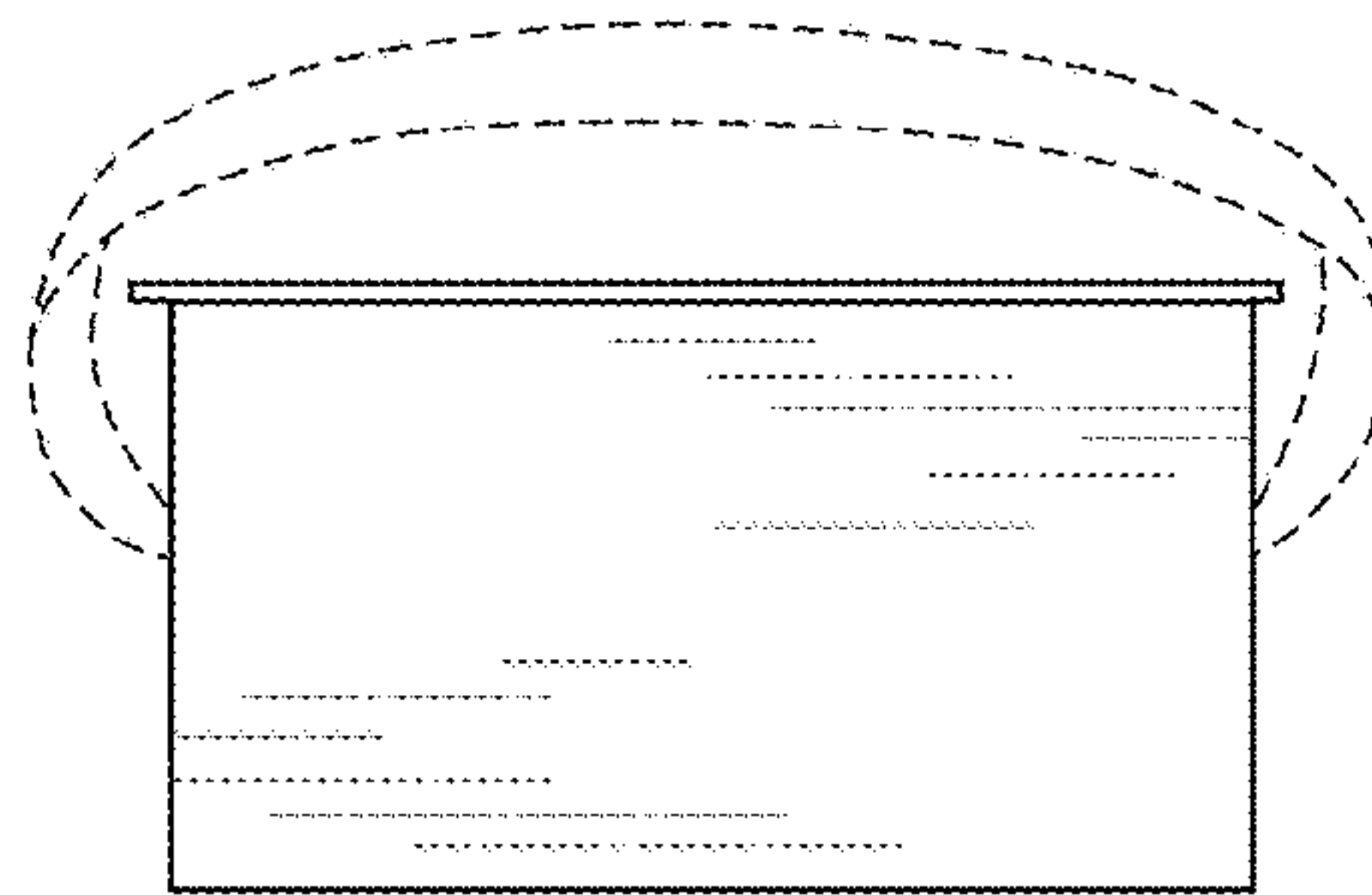


Fig.16

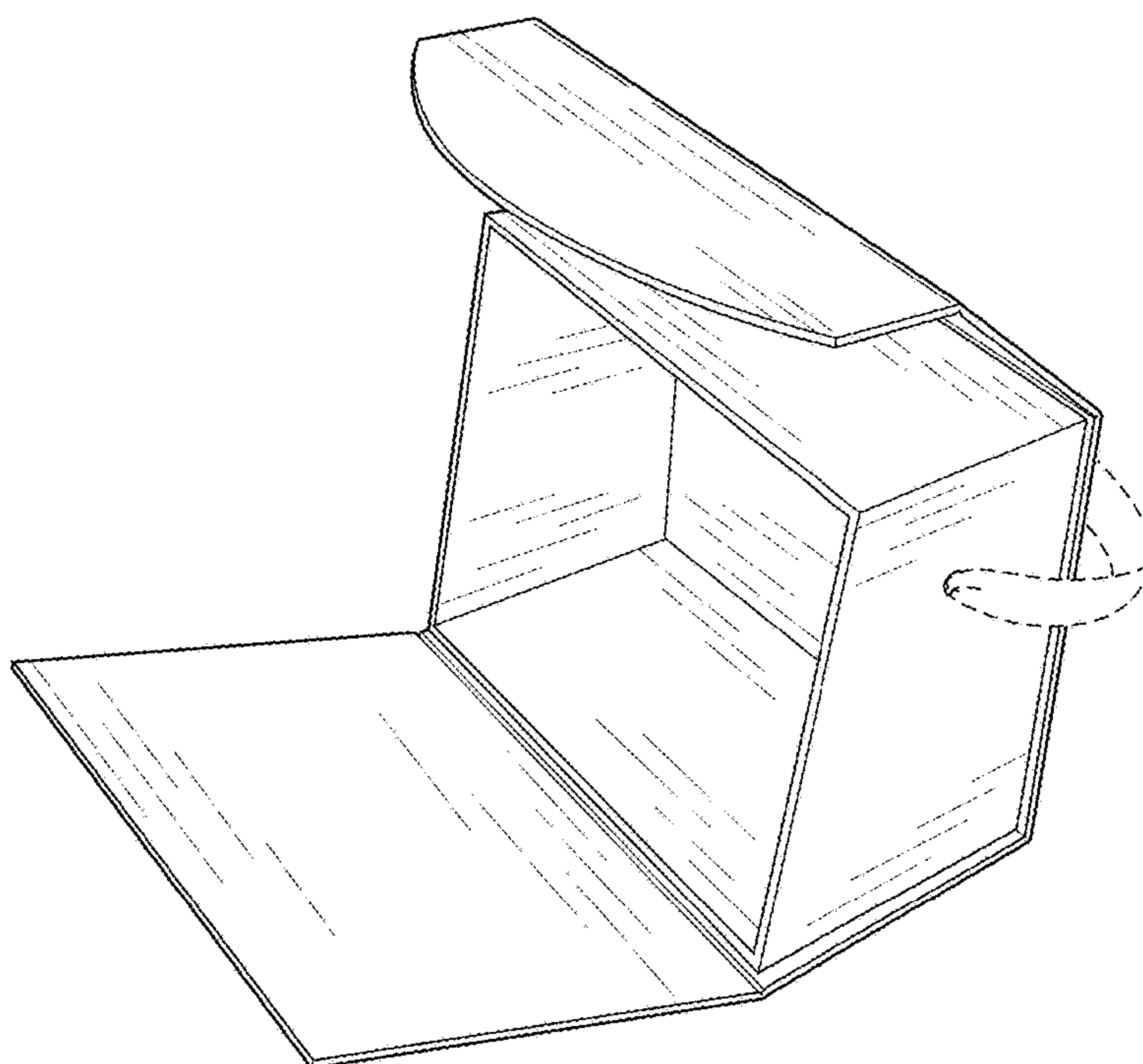


Fig.17