



US00D861477S

(12) **United States Design Patent** (10) **Patent No.:** **US D861,477 S**  
**Smith et al.** (45) **Date of Patent:** **\*\* Oct. 1, 2019**

(54) <b>CONTAINER</b>	2,507,404 A * 5/1950 Gluck ..... B65D 83/0882 225/20
(71) Applicant: <b>REYNOLDS CONSUMER PRODUCTS LLC</b> , Lake Forest, IL (US)	2,522,253 A * 9/1950 Broeren ..... B65D 83/0882 225/43 D269,934 S * 8/1983 Hawkins ..... D7/590 D271,000 S * 10/1983 Rimer ..... D9/420 4,651,911 A * 3/1987 Kirkup ..... B65D 83/0841 225/20
(72) Inventors: <b>Amy Frances Smith</b> , Chicago, IL (US); <b>Yashpal Rajendra Kamire</b> , Vernon Hills, IL (US); <b>Katherine A. Reiser</b> , Mount Prospect, IL (US); <b>José L. Padilla</b> , Chicago, IL (US); <b>Neema Pourian</b> , Chicago, IL (US)	4,787,542 A * 11/1988 Ruff ..... B65H 35/002 225/1 D341,499 S * 11/1993 Horne ..... D12/425 D402,512 S * 12/1998 Lee ..... D7/600.1 D421,691 S * 3/2000 Hoblitz ..... D6/522 D572,904 S * 7/2008 Beckerman ..... D3/304 8,528,801 B2 * 9/2013 Tanaka ..... B65D 83/0841 225/39
(73) Assignee: <b>REYNOLDS CONSUMER PRODUCTS LLC</b> , Lake Forest, IL (US)	D745,392 S * 12/2015 Solovov, Jr. .... D9/433 9,221,646 B1 * 12/2015 Amara ..... B65H 35/002

(Continued)

(\*\*) Term: **15 Years**

(21) Appl. No.: **29/619,809**

(22) Filed: **Oct. 2, 2017**

(51) **LOC (12) Cl.** ..... **09-03**

(52) **U.S. Cl.**  
USPC ..... **D9/420**

(58) **Field of Classification Search**  
USPC ..... D9/414-419, 423, 426, 430, 432, 721, D9/730, 734, 737; D3/290, 294, 304, D3/305, 315; D7/600.1, 601  
CPC ... B65D 5/00; B65D 5/02; B65D 5/18; B65D 5/20; B65D 5/66; B65D 5/325; B65D 5/6644; B65D 5/6647; B65D 83/00; B65D 83/08; B65D 83/005; B65D 83/0083; B65D 83/0841; B65D 83/0882; B65D 43/16; B65D 43/162; B26D 1/045  
See application file for complete search history.

(56) **References Cited**

**U.S. PATENT DOCUMENTS**

1,599,238 A \* 9/1926 Hurlbut ..... B65D 83/0882  
225/50  
D108,605 S \* 2/1938 Nagle ..... D9/433

*Primary Examiner* — Wan Laymon  
*Assistant Examiner* — Clint A Samuel  
(74) *Attorney, Agent, or Firm* — Baker Botts L.L.P.

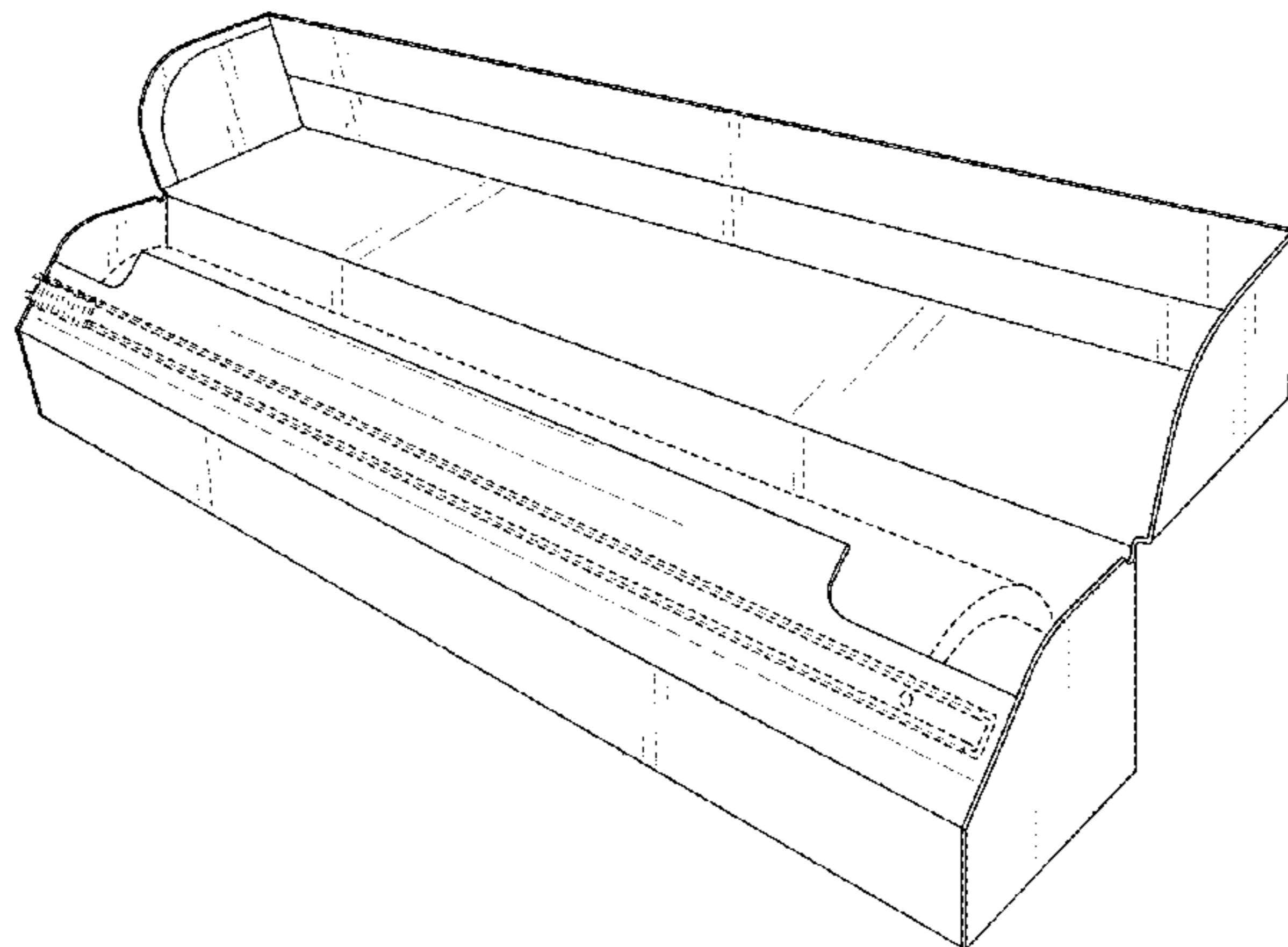
(57) **CLAIM**

The ornamental design for a container, as shown and described.

**DESCRIPTION**

FIG. 1 is a perspective view of our design for a container in an open condition;  
FIG. 2 is a front view thereof;  
FIG. 3 is a left side view thereof;  
FIG. 4 is a right side view thereof;  
FIG. 5 is a back view thereof;  
FIG. 6 is a top view thereof; and,  
FIG. 7 is a bottom view thereof.  
The broken lines shown throughout these figures depict environmental subject matter only and form no part of the claimed design.

**1 Claim, 7 Drawing Sheets**



(56)

References Cited

U.S. PATENT DOCUMENTS

D815,522	S *	4/2018	Vegliante .....	D9/432
10,017,616	B2 *	7/2018	Ueda .....	B65D 83/0882
D830,722	S *	10/2018	Klipshtein .....	D6/518
D842,095	S *	3/2019	Hajek .....	D9/431
2003/0164392	A1 *	9/2003	Gerulski .....	B26F 3/02 225/1
2004/0089691	A1 *	5/2004	Gerulski .....	B26F 3/02 225/93
2005/0035133	A1 *	2/2005	Gerulski .....	B26D 1/045 221/31
2005/0166738	A1 *	8/2005	Hsu .....	B26D 7/015 83/614
2007/0074986	A1 *	4/2007	King .....	B65D 83/0841 206/397
2010/0320250	A1 *	12/2010	Hideoka .....	B26F 3/02 225/91
2011/0209594	A1 *	9/2011	Withers .....	B65D 83/0882 83/614
2014/0263527	A1 *	9/2014	Mukohara .....	B65D 25/20 225/43
2015/0060318	A1 *	3/2015	Lee .....	B65D 83/0882 206/389
2016/0355647	A1 *	12/2016	Ueda .....	B65D 83/0882
2018/0037362	A9 *	2/2018	Matsumura .....	B65D 25/52
2018/0141742	A1 *	5/2018	Vegliante .....	B65D 5/16
2018/0141743	A1 *	5/2018	Vegliante .....	B65D 5/16
2018/0305164	A1 *	10/2018	Smith .....	B26D 1/045
2018/0370679	A1 *	12/2018	Shimizu .....	B65D 85/672

\* cited by examiner

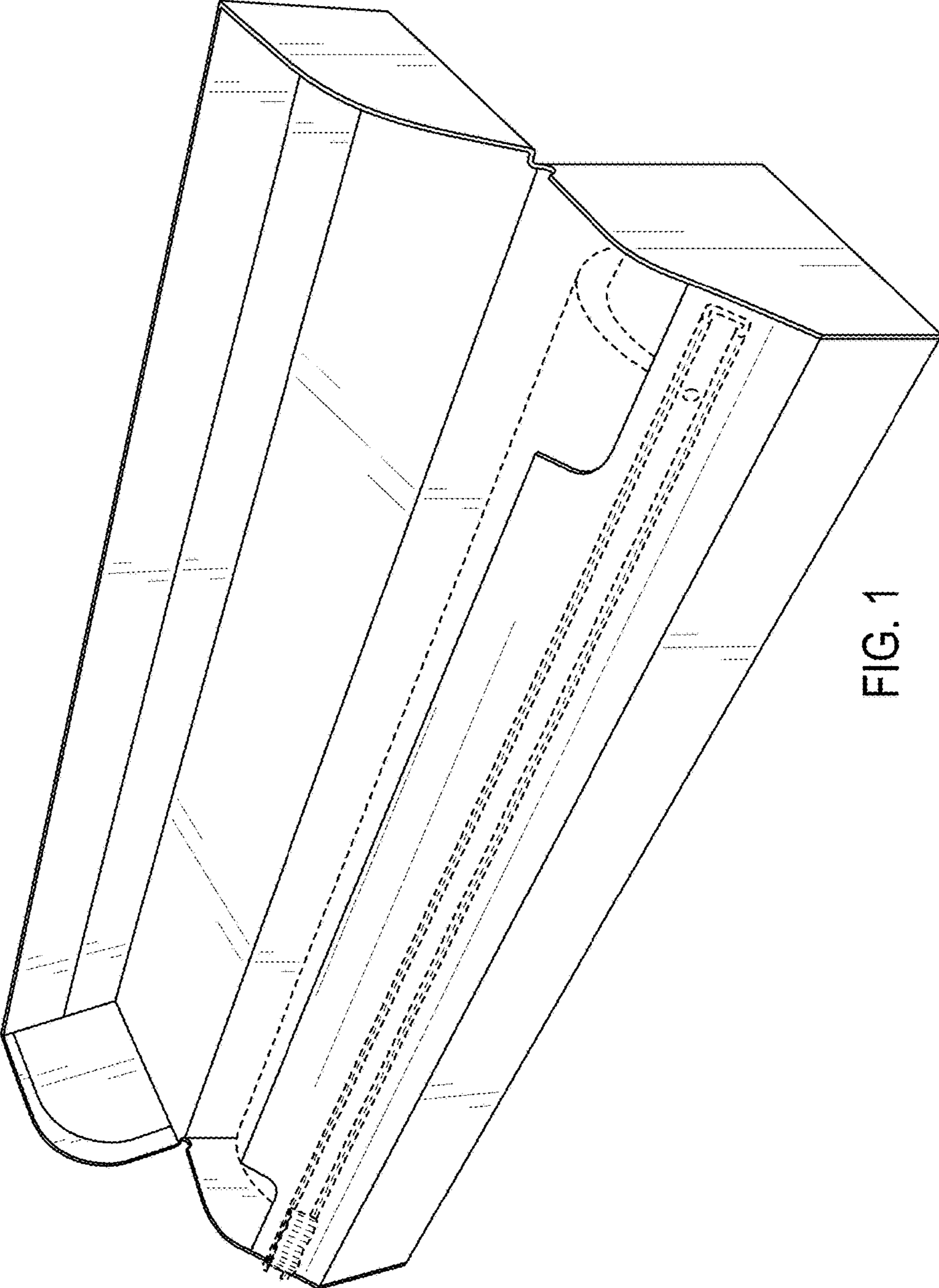


FIG. 1

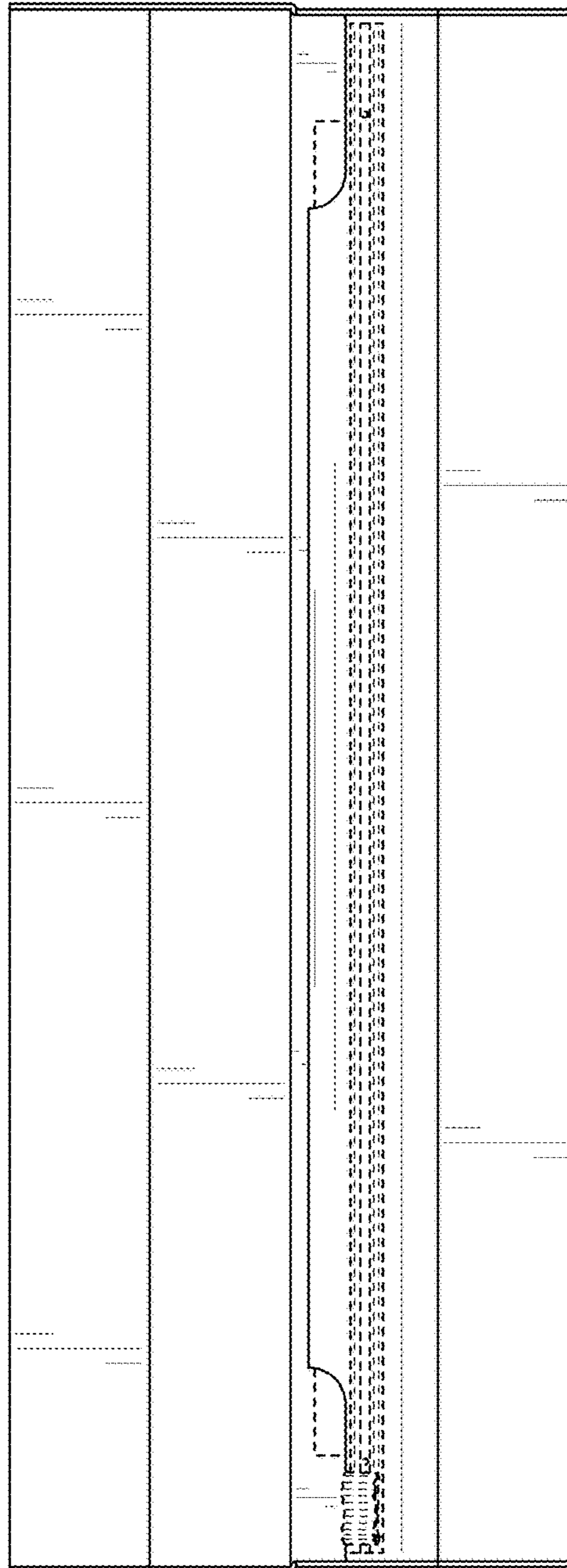


FIG. 2

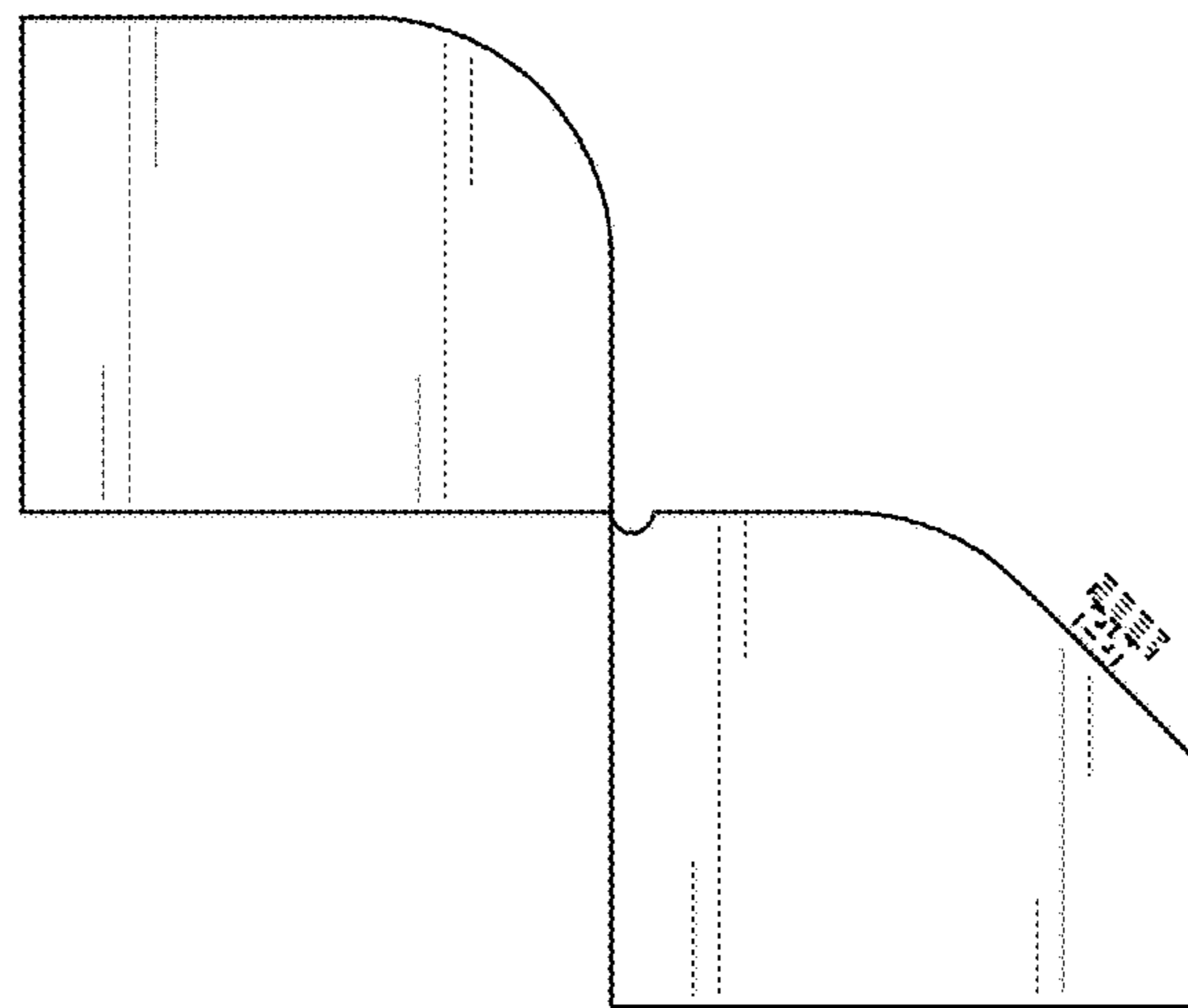


FIG. 3

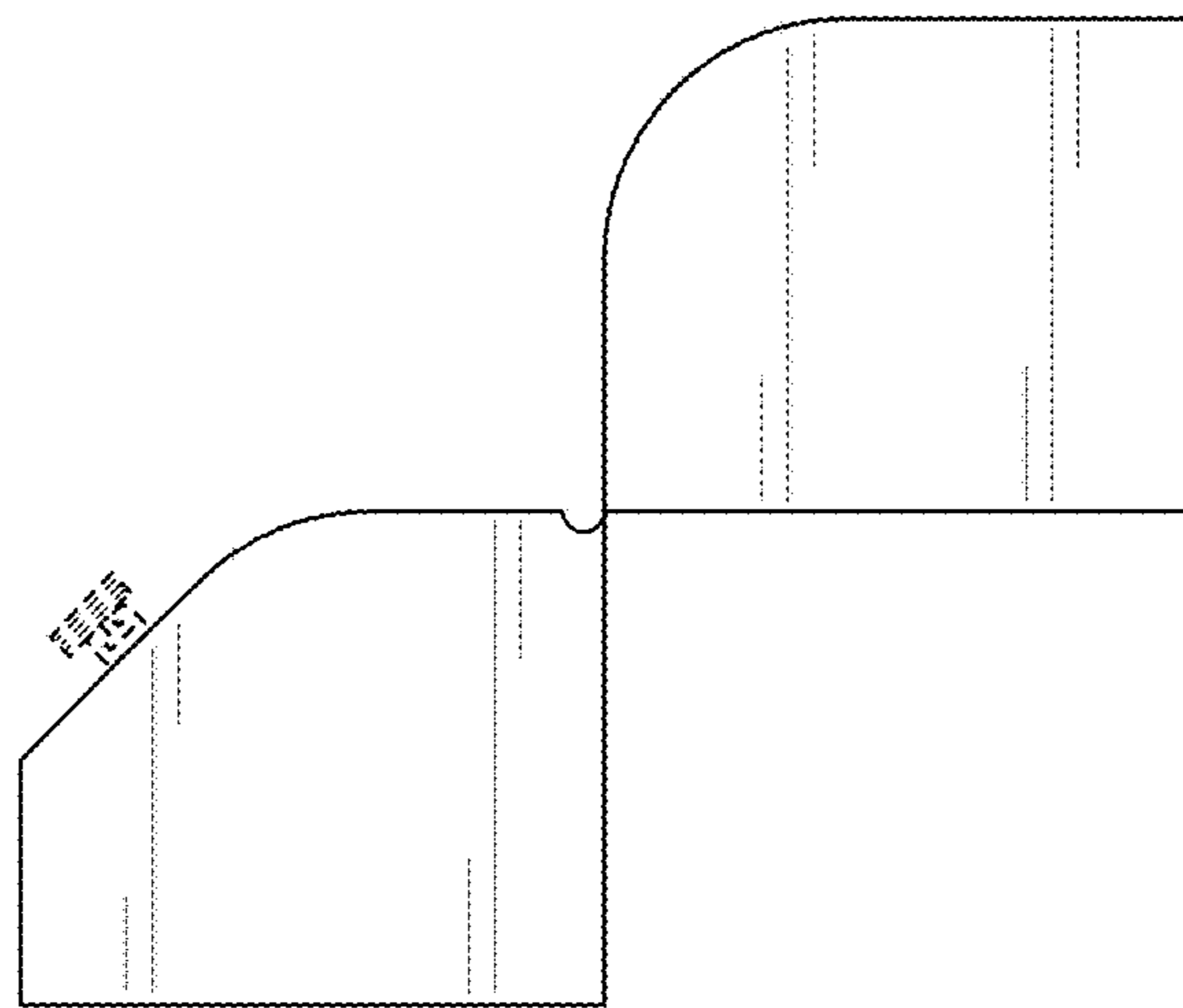


FIG. 4



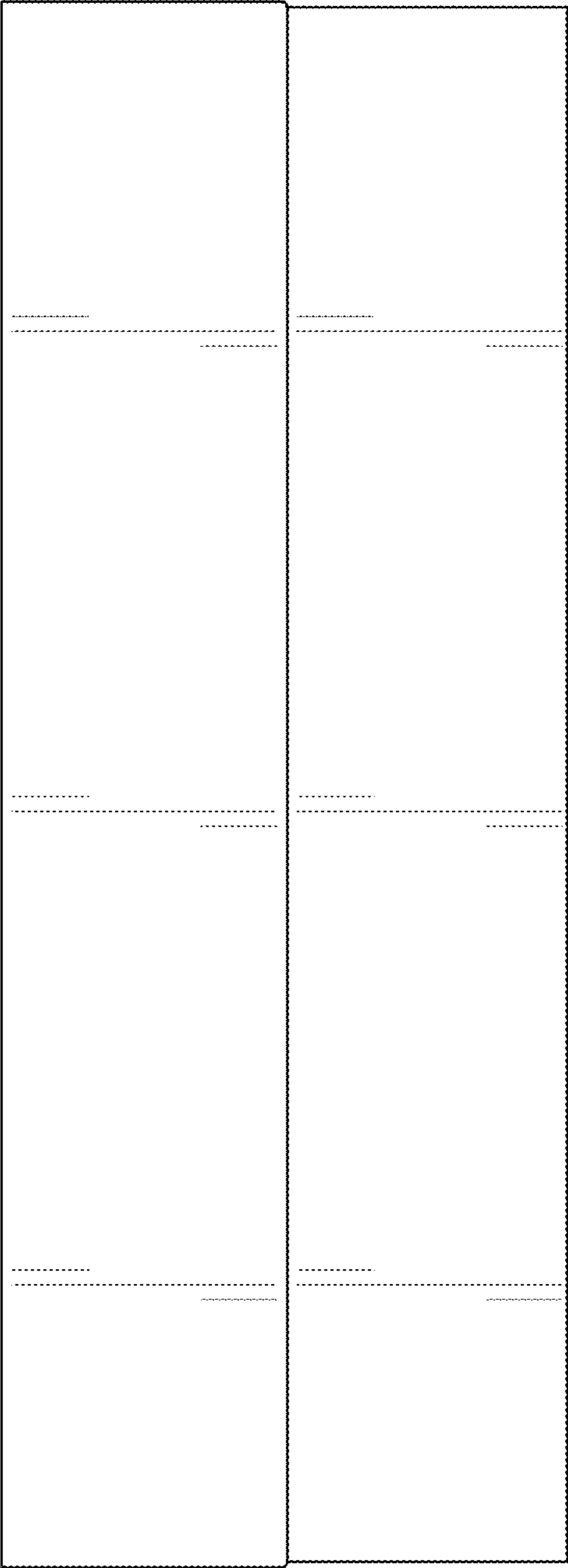


FIG. 5

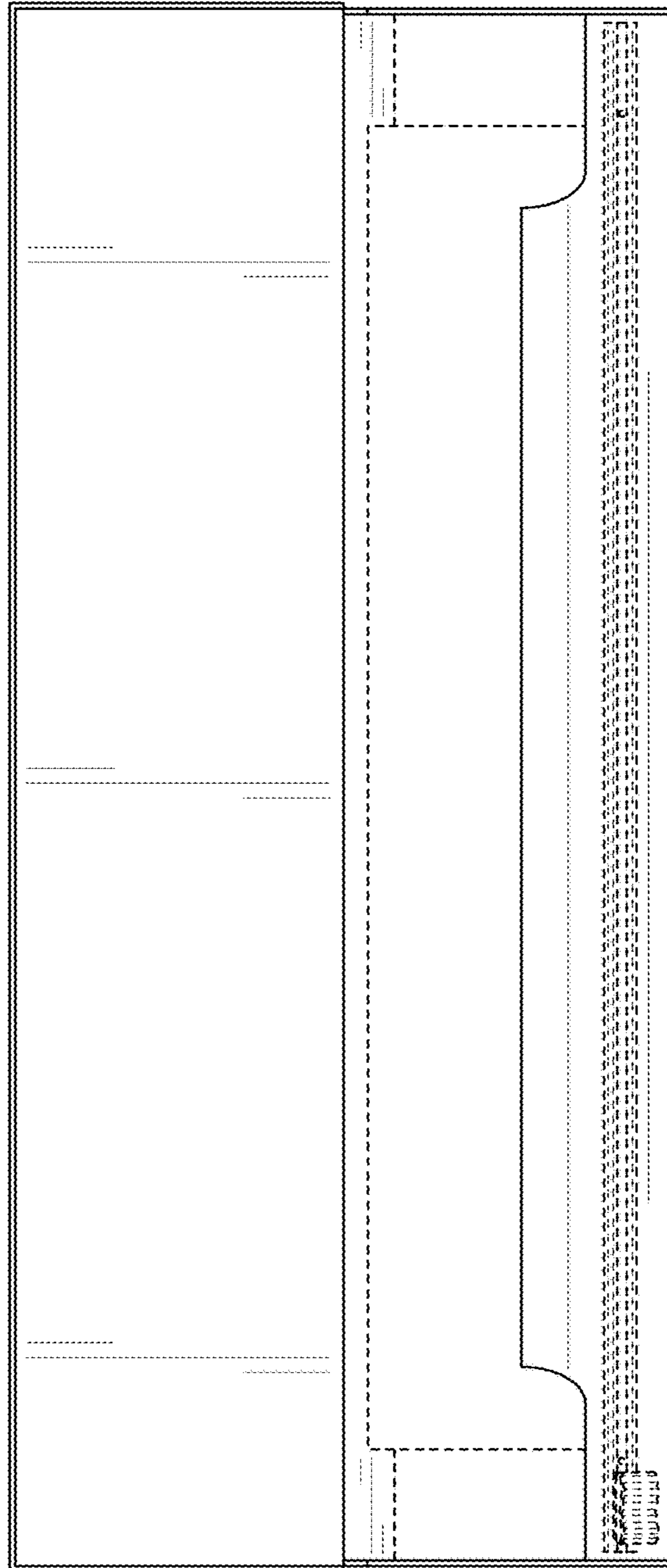


FIG. 6



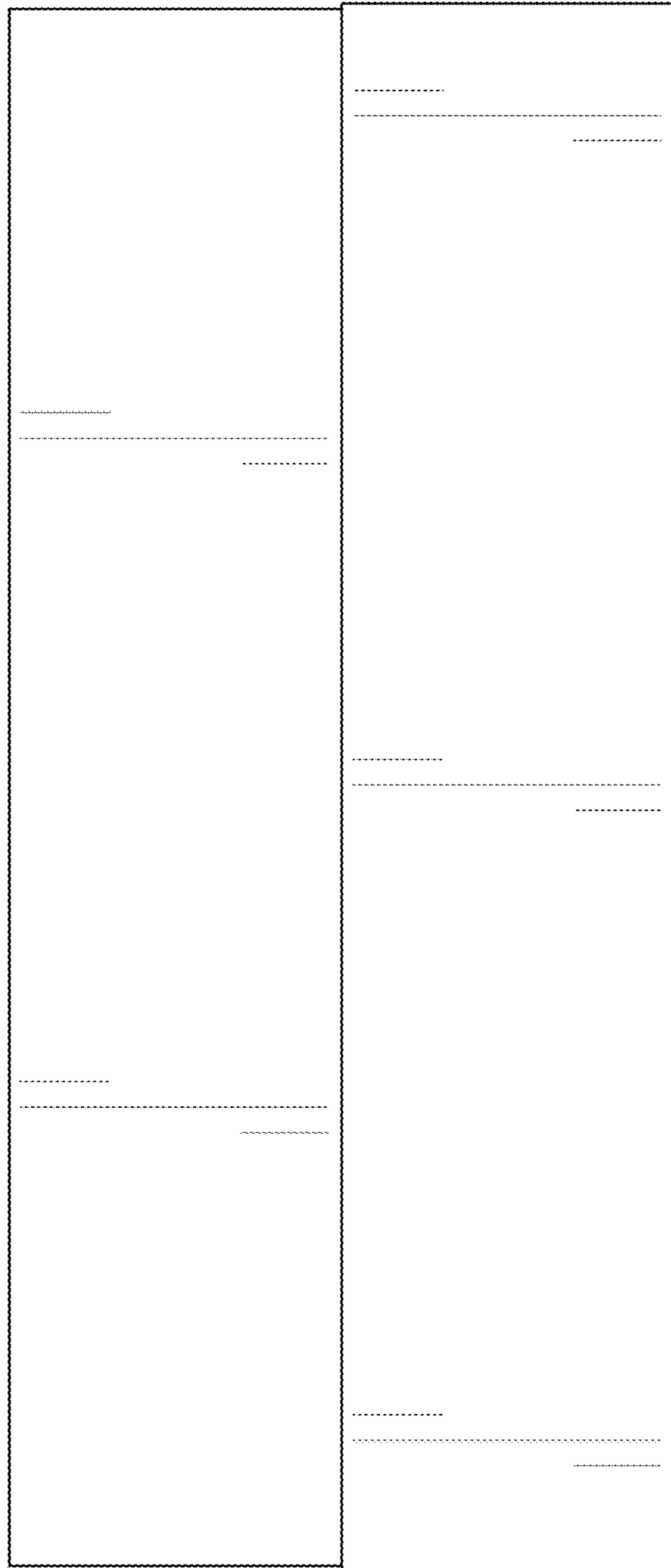


FIG. 7