



US00D861472S

(12) **United States Design Patent** (10) **Patent No.:** **US D861,472 S**
Sillitoe et al. (45) **Date of Patent:** **** Oct. 1, 2019**

(54) **BIO-CLAMP** D318,123 S * 7/1991 Yokoyama D24/129
5,359,866 A * 11/1994 Boddy F16B 2/10
24/270
(71) Applicant: **Bio Pure Technology Limited,** 5,620,210 A * 4/1997 Eyster F16L 21/06
Waterlooville Hampshire (GB) 24/625
(72) Inventors: **Chris Sillitoe,** Cornwall (GB); **Nick** D414,405 S * 9/1999 Tompkins D8/396
White, Falmouth Cornwall (GB) D431,650 S * 10/2000 Guala D24/129
6,170,884 B1 * 1/2001 McLennan F16L 17/04
285/112
(73) Assignee: **Bio Pure Technology Limited,** (Continued)
Waterlooville Hampshire (GB)

(**) Term: **15 Years**
(21) Appl. No.: **29/675,978**
(22) Filed: **Jan. 7, 2019**

FOREIGN PATENT DOCUMENTS

CN 301238237 5/2010
CN 301243621 6/2010
(Continued)

OTHER PUBLICATIONS

Taiwanese Notice of Allowance for Design Application S.N. 106305496
dated Apr. 11, 2018.
(Continued)

Related U.S. Application Data

(62) Division of application No. 29/617,904, filed on Sep.
16, 2017.

Foreign Application Priority Data

(30) Mar. 16, 2017 (EM) 003803584
(51) **LOC (12) Cl.** **08-08**
(52) **U.S. Cl.**
USPC **D8/394**
(58) **Field of Classification Search**
USPC D8/349, 354, 382, 394, 395, 396
CPC . F16L 17/00; F16L 17/04; F16L 21/06; F16L
21/08; F16L 23/00; F16L 23/08; F16L
23/036; F16L 3/13; F16L 33/04; F16L
33/06; F16L 33/08
See application file for complete search history.

Primary Examiner — John Windmuller
Assistant Examiner — Steven J Czyz
(74) *Attorney, Agent, or Firm* — Honigman LLP

(57) **CLAIM**

The ornamental design for a bio-clamp, as shown and
described.

DESCRIPTION

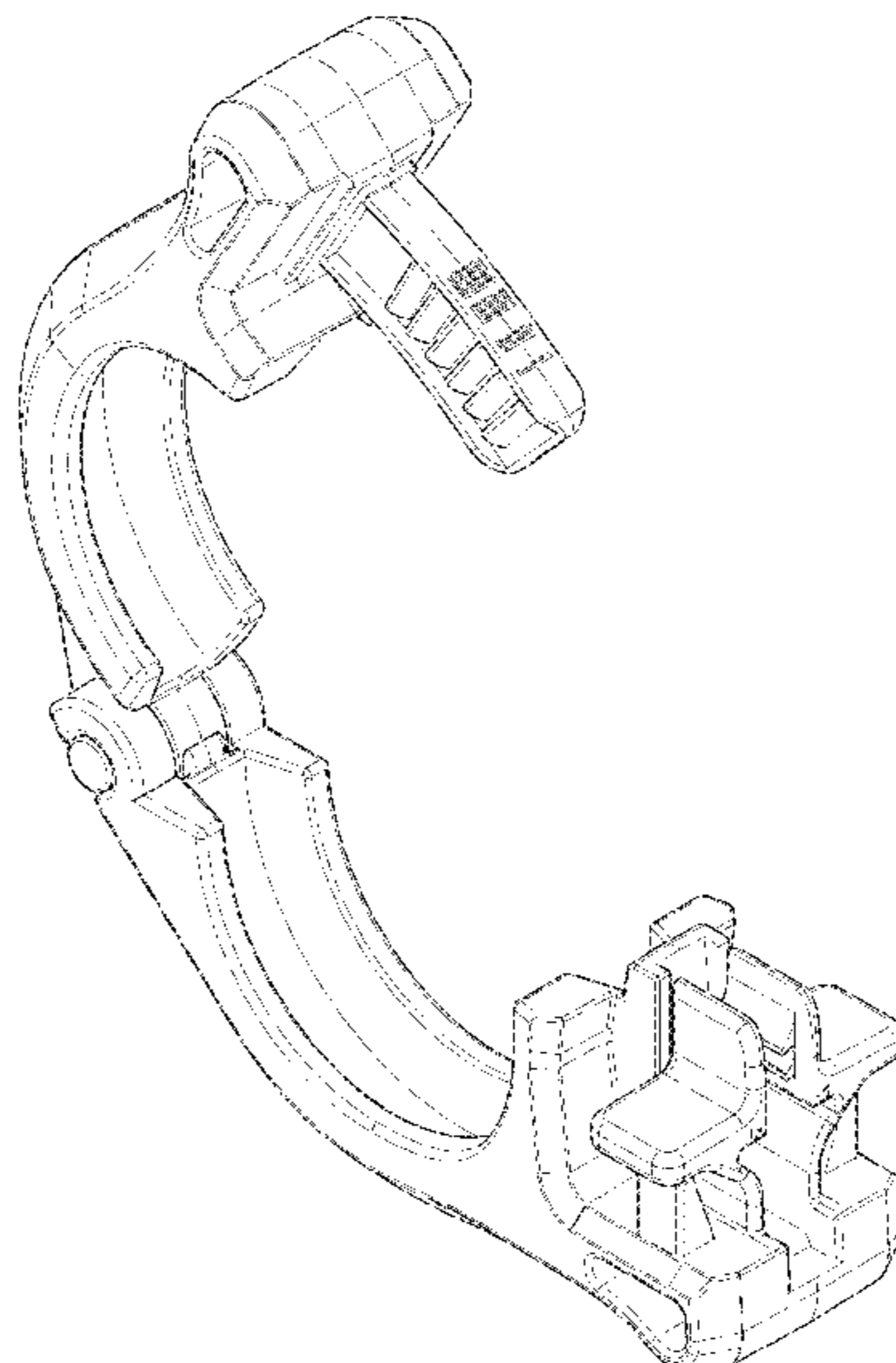
FIG. 1 is a front, left side, perspective view of a bio-clamp
showing our new design;
FIG. 2 is a left side view thereof;
FIG. 3 is a right side view thereof;
FIG. 4 is a top view thereof;
FIG. 5 is a bottom view thereof;
FIG. 6 is a front elevation view thereof; and,
FIG. 7 is a rear elevation view thereof.

(56) **References Cited**

U.S. PATENT DOCUMENTS

4,186,947 A * 2/1980 Nixon F16L 17/04
285/112
D309,094 S * 7/1990 Donis D23/265

1 Claim, 7 Drawing Sheets



(56)

References Cited

U.S. PATENT DOCUMENTS

6,227,577 B1 * 5/2001 Ikeda F16L 17/04
285/112
6,742,223 B1 * 6/2004 Chang F16L 3/23
24/130
D494,847 S * 8/2004 Maniezzo D8/382
D570,458 S * 6/2008 Gibb D23/262
D574,228 S * 8/2008 Johansson D8/396
D577,423 S * 9/2008 Dole D23/265
D583,444 S * 12/2008 Nagle D23/262
D583,916 S * 12/2008 Madara D23/265
D584,604 S * 1/2009 Baldwin D8/396
D587,349 S * 2/2009 Madara D23/265
D595,814 S * 7/2009 Pierce D23/262
D597,635 S * 8/2009 Dole D23/262
D598,076 S * 8/2009 Dole D23/262
D598,077 S * 8/2009 Gibb D23/265
D600,325 S * 9/2009 Porter D23/262
D600,326 S * 9/2009 Gibb D23/265
D602,127 S * 10/2009 Shah D23/262
D608,868 S * 1/2010 Porter D23/262
D608,869 S * 1/2010 Porter D23/262
D608,872 S * 1/2010 Porter D23/262
D609,312 S * 2/2010 Porter D23/262
D616,532 S * 5/2010 Madara D23/262
D618,312 S * 6/2010 Madara D23/262
D618,314 S * 6/2010 Bowman D23/262
D621,917 S * 8/2010 Madara D23/262
D625,785 S * 10/2010 Madara D23/262
D625,786 S * 10/2010 Bowman D23/262
D626,202 S * 10/2010 Porter D23/262
D629,072 S * 12/2010 Madara D23/262
D629,074 S * 12/2010 Shah D23/262
D629,076 S * 12/2010 Madara D23/262
D629,078 S * 12/2010 Dole D23/262
D629,080 S * 12/2010 Dole D23/262
D629,082 S * 12/2010 Dole D23/262
D629,083 S * 12/2010 Dole D23/262
D629,496 S * 12/2010 Madara D23/262
D649,641 S * 11/2011 Guttulrud D24/143

D674,059 S * 1/2013 Cuvo D23/262
D674,063 S * 1/2013 Wilk, Jr. D23/262
D674,064 S * 1/2013 Dole D23/262
D695,100 S * 12/2013 Whitaker D8/396
D700,835 S * 3/2014 Langlois D8/396
8,961,340 B2 * 2/2015 Boatwright A63B 60/28
473/568
D735,025 S * 7/2015 Mathien D8/396
9,074,715 B2 * 7/2015 Weger F16L 55/02
D749,835 S * 2/2016 Whitaker D3/10
D763,673 S * 8/2016 Moreau D8/395
D770,886 S * 11/2016 Whitaker D8/394
9,518,667 B2 * 12/2016 Ramos F16K 7/063
9,580,281 B2 * 2/2017 Foley B66C 1/44
D790,308 S * 6/2017 Larard D8/72
D798,139 S * 9/2017 Giannatti D8/394
D807,137 S * 1/2018 Whitaker D8/72
D807,161 S * 1/2018 Whitaker D8/394
D813,025 S * 3/2018 Yesavage D8/395
D813,657 S * 3/2018 Bowman D8/395
D820,074 S * 6/2018 Huettemann D8/394
D820,076 S * 6/2018 Ramirez D8/396
10,074,913 B1 * 9/2018 Bussey H01R 4/2412

FOREIGN PATENT DOCUMENTS

CN	301247596	6/2010
CN	301391186	11/2010
CN	303223493	5/2015

OTHER PUBLICATIONS

Taiwanese Notice of Allowance for Design Application S.N. 106305495 dated Apr. 11, 2018.
Taiwanese Notice of Allowance for Design Application S.N. 106305494 dated Apr. 11, 2018.
Taiwanese Notice of Allowance for Design Application S.N. 106305499 dated Apr. 19, 2018.
Taiwanese Notice of Allowance for Design Application S.N. 106305503 dated Apr. 11, 2018.

* cited by examiner

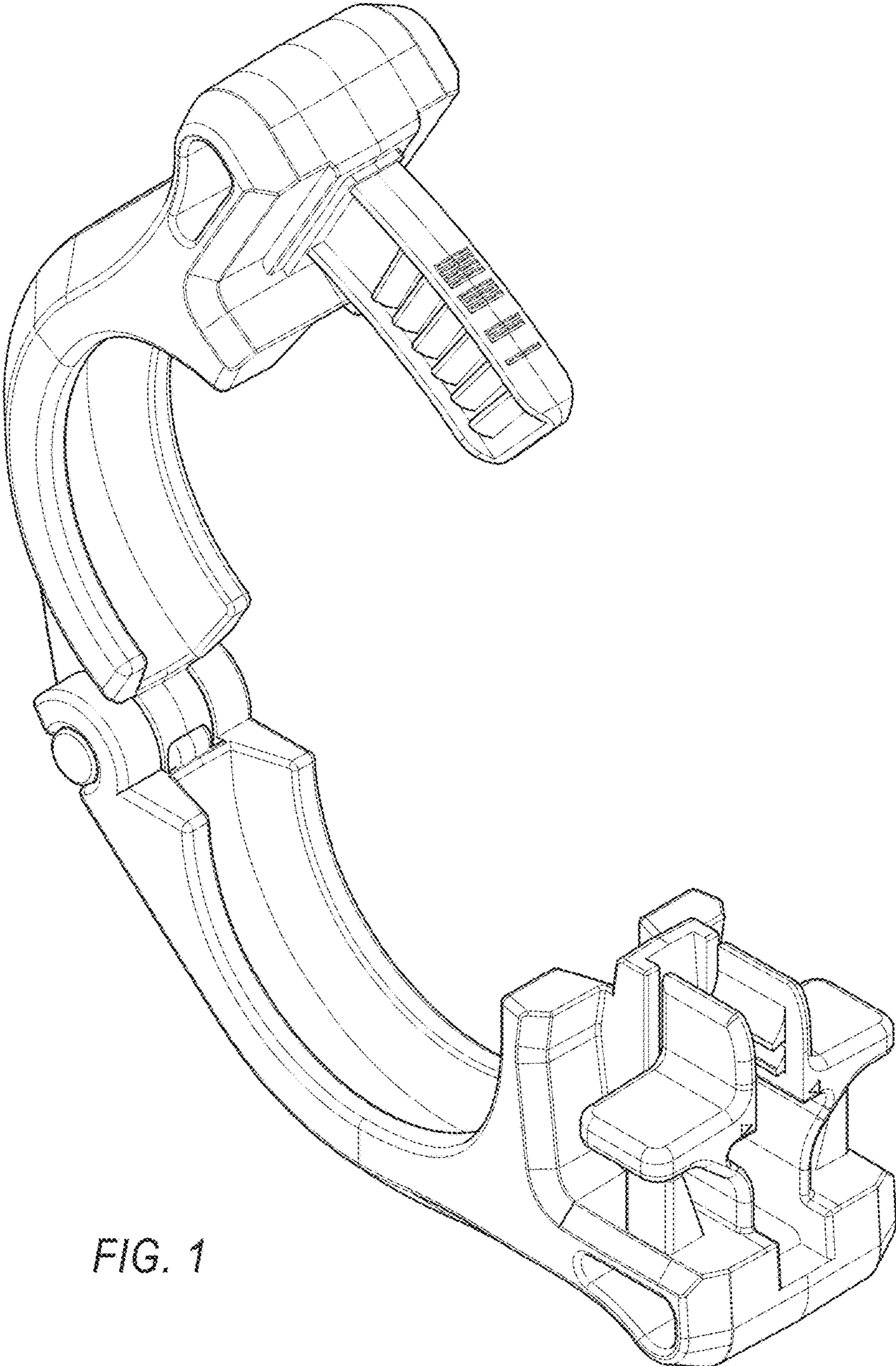


FIG. 1

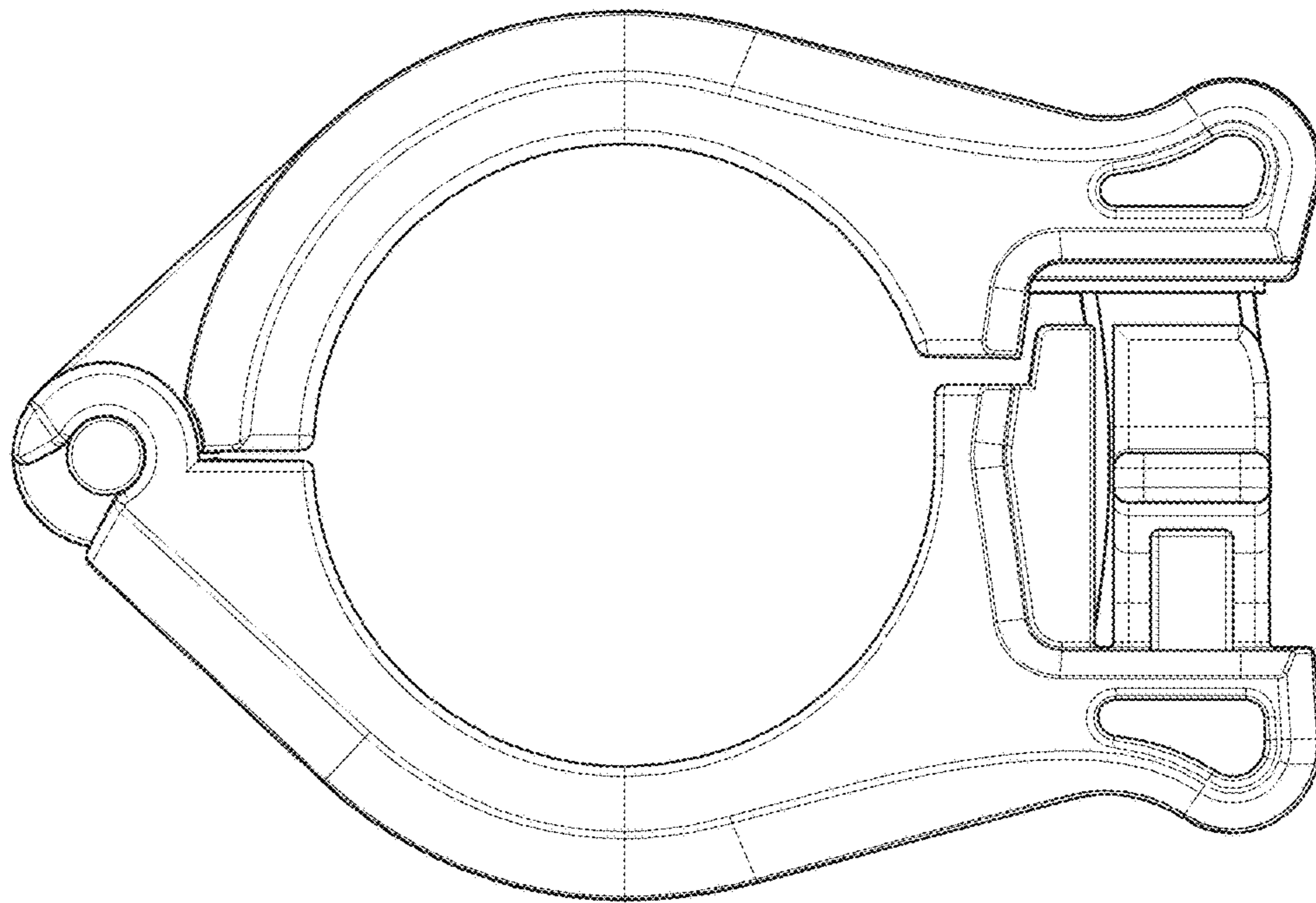


FIG. 2

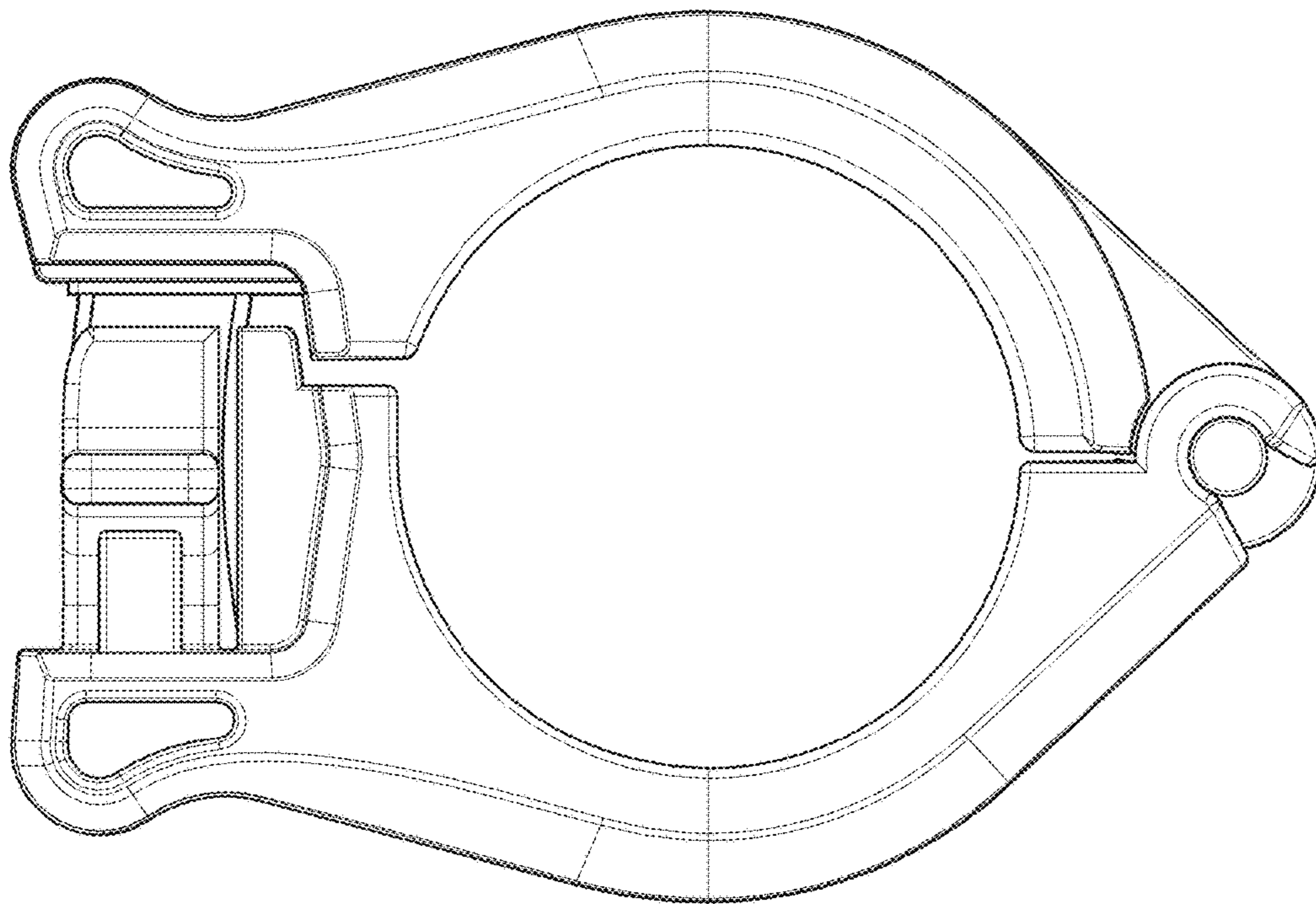


FIG. 3

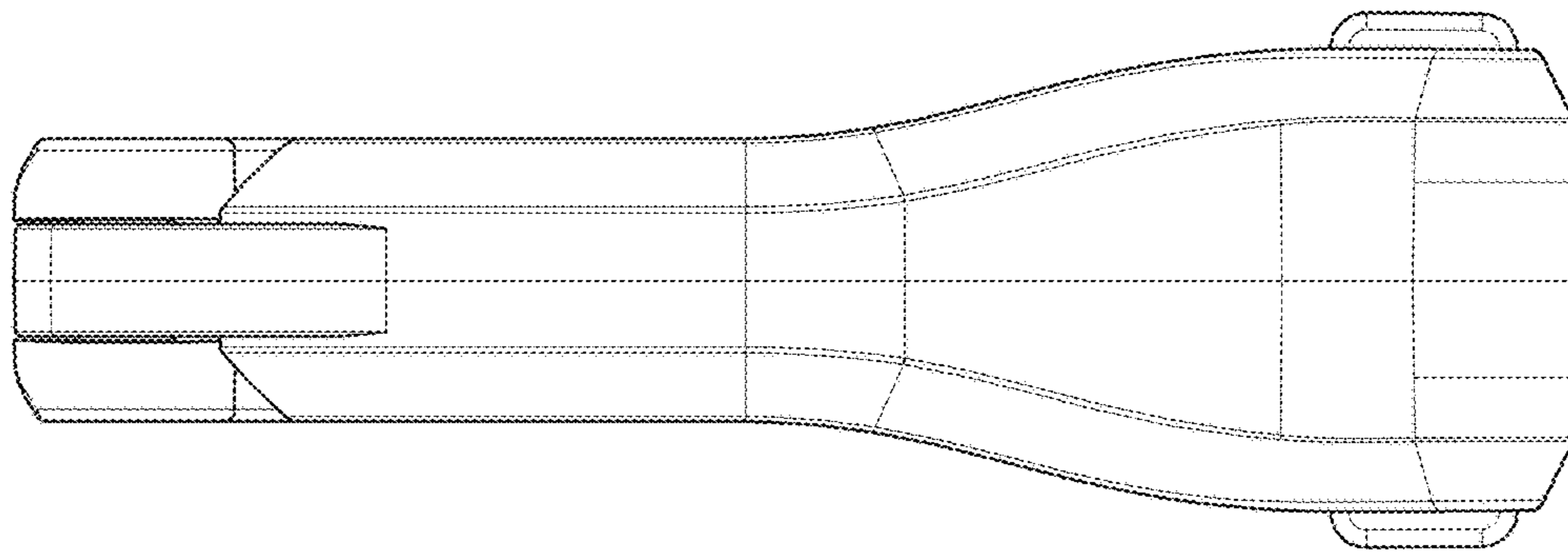


FIG. 4

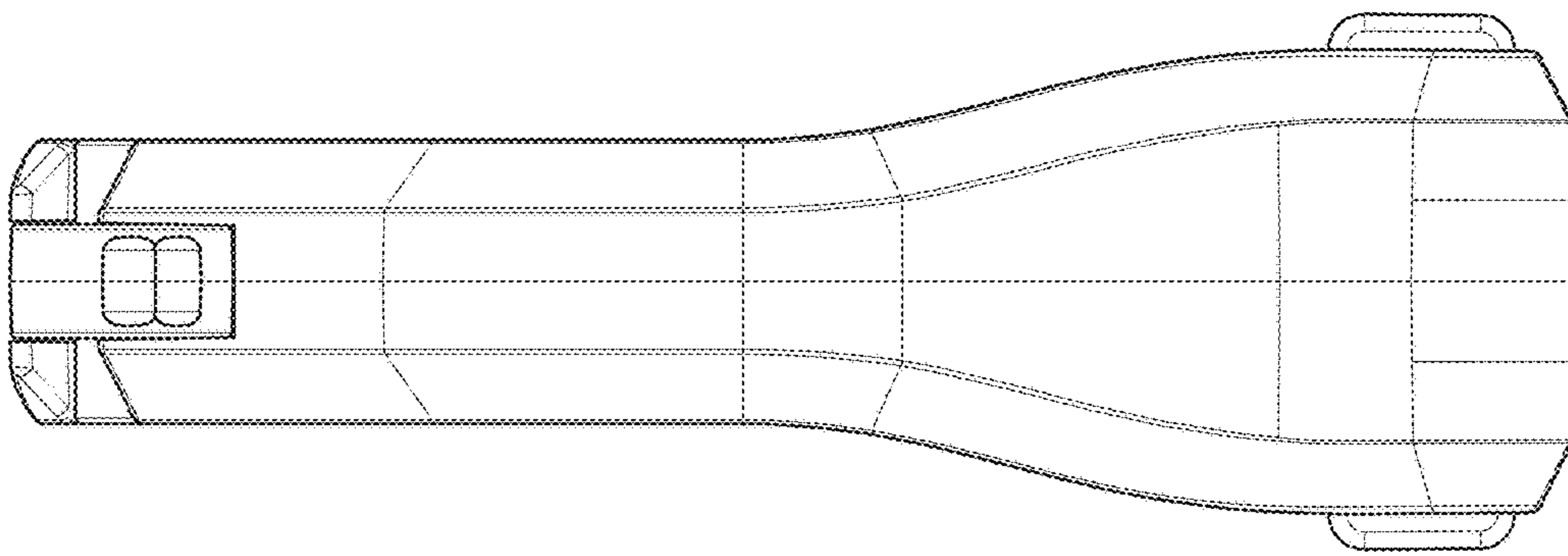


FIG. 5

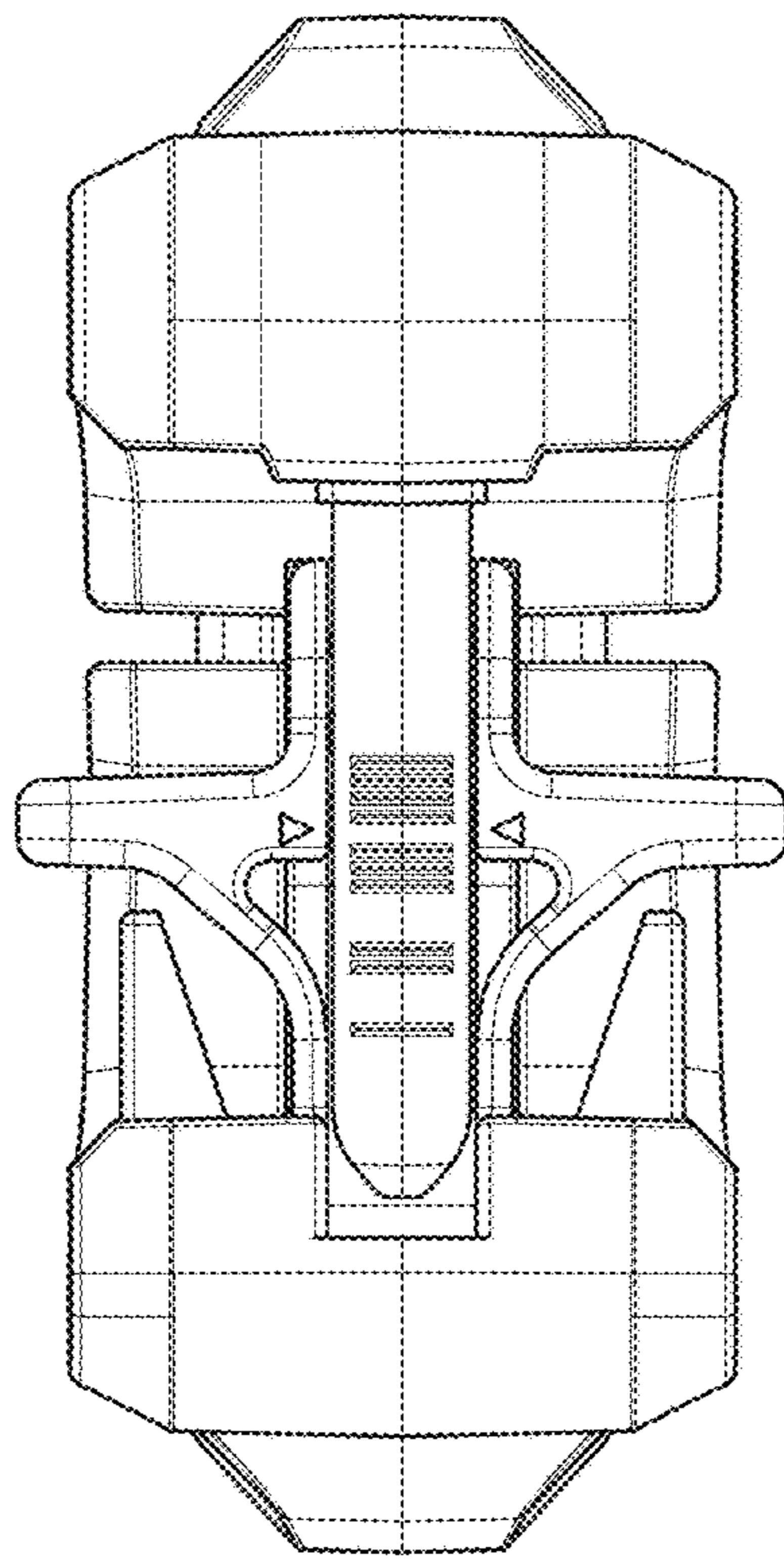


FIG. 6

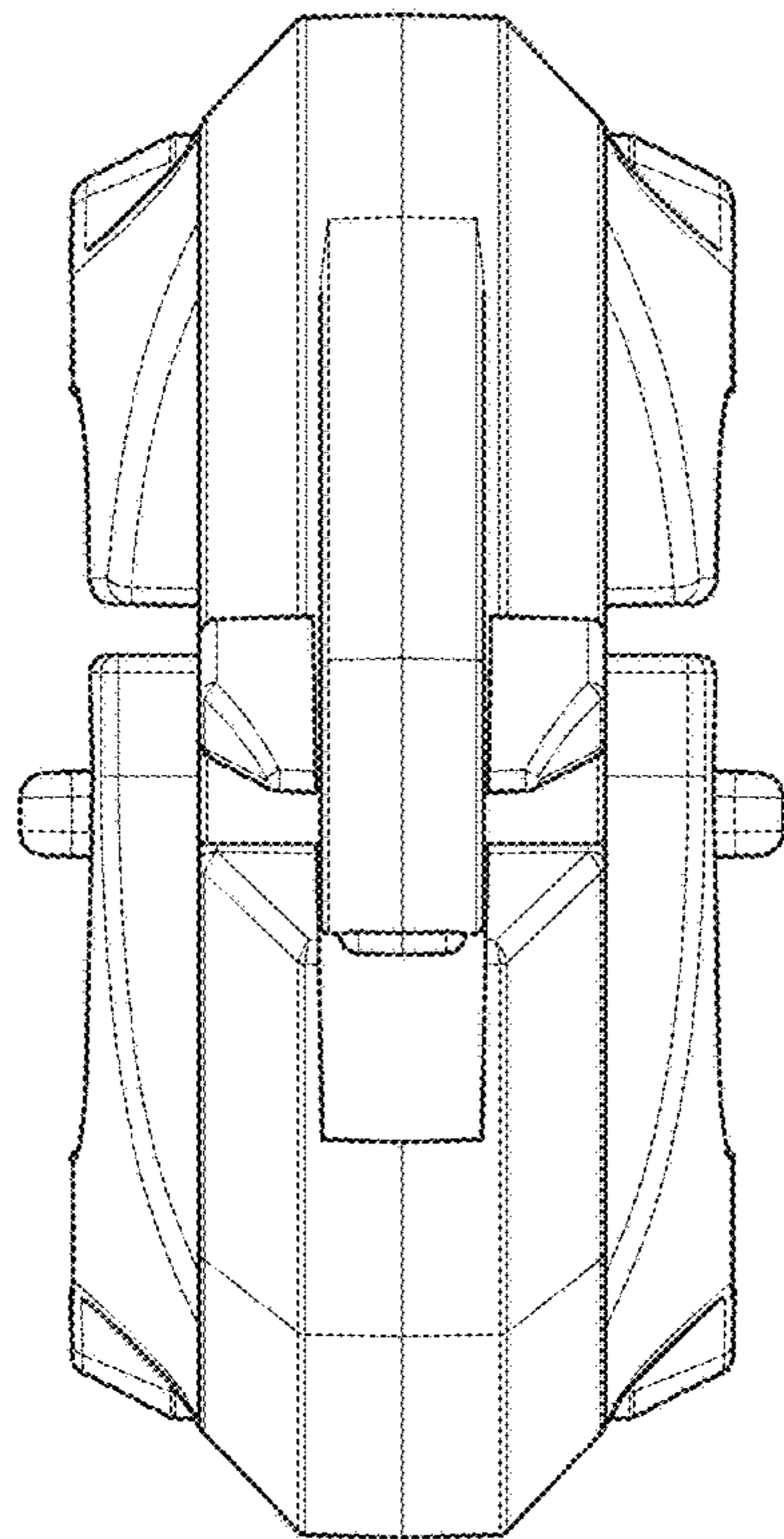


FIG. 7