



US00D861471S

(12) **United States Design Patent**
Ild

(10) **Patent No.:** **US D861,471 S**

(45) **Date of Patent:** **** Oct. 1, 2019**

(54) **CLAMP FOR FIXING DECKING BOARDS**

(71) Applicants: **Bole OÜ**, Paldiski (Harju) (EE);
Silvernet Group OÜ, Tallinn (Harju)
(EE)

(72) Inventor: **Urmas Ild**, Tallinn (EE)

(73) Assignees: **Boie OÜ**, Paldiski (Harju) (EE);
Silvernet Group OÜ, Tallin (Harju)
(EE)

(**) Term: **15 Years**

(21) Appl. No.: **29/615,778**

(22) Filed: **Aug. 31, 2017**

(30) **Foreign Application Priority Data**

Mar. 2, 2017 (EM) 003780089-0001

(51) **LOC (12) Cl.** **08-08**

(52) **U.S. Cl.**
USPC **D8/394**

(58) **Field of Classification Search**
USPC D8/16, 349, 382, 385, 386, 394, 395
CPC E04F 15/04; E04F 15/02044; E04F
2015/02077; E04F 2015/021; E04F
2015/02116; E04F 2015/02122; E04F
15/02138; E04F 15/02072; E04F
2201/0517; E04B 1/0038; E04B 1/24;
E04B 2001/2424; E04B 1/26; E04B
2001/2644; E04B 2001/2684

See application file for complete search history.

(56) **References Cited**

U.S. PATENT DOCUMENTS

D30,630 S * 4/1899 Caldwell et al. D8/395
1,443,169 A * 1/1923 Conrad G09F 5/04
206/303

RE21,792 E * 5/1941 MacLean et al. B21G 3/00
105/422
RE21,793 E * 5/1941 MacLean et al. B21G 3/00
403/256
2,345,419 A * 3/1944 Olson E04F 15/04
269/102
3,499,673 A * 3/1970 Soltysik E04D 3/3601
52/127.5
D220,424 S * 4/1971 Hindenburg et al. D8/395
D248,924 S * 8/1978 Curtis D8/382
4,119,285 A * 10/1978 Bisping F16L 3/24
248/72
D291,410 S * 8/1987 Czyborra D8/394
D291,531 S * 8/1987 West D8/395
5,027,573 A * 7/1991 Commins E04B 1/2608
52/480
5,997,209 A * 12/1999 Sachs E04B 5/12
403/384
D450,568 S * 11/2001 Sachs D8/382
6,416,269 B1 * 7/2002 Martel E04B 5/12
411/458

(Continued)

Primary Examiner — John Windmuller

Assistant Examiner — Steven J Czyz

(74) *Attorney, Agent, or Firm* — Abelman, Frayne &
Schwab

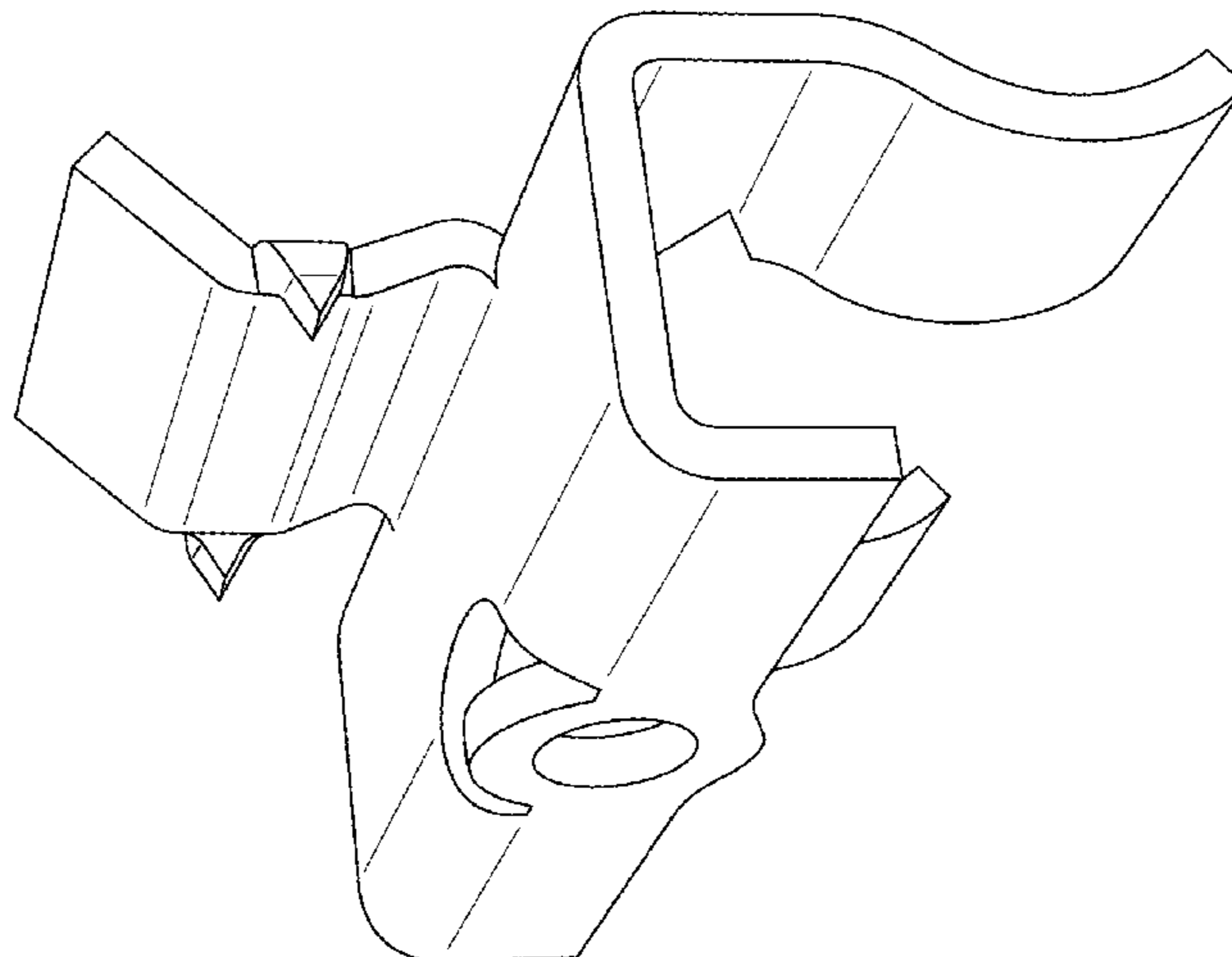
(57) **CLAIM**

The ornamental design for a clamp for fixing decking boards, as shown and described.

DESCRIPTION

FIG. 1 is a front, left, and bottom perspective view of the clamp for fixing decking boards showing the new design; FIG. 2 is a front, left, and top perspective view thereof; FIG. 3 is a front elevation view thereof, the rear elevation view being a mirrored image thereof; FIG. 4 is a top plan view thereof; FIG. 5 is a bottom view thereof; FIG. 6 is a left side elevation view thereof; and, FIG. 7 is a right side elevation view thereof.

1 Claim, 6 Drawing Sheets



(56)

References Cited

U.S. PATENT DOCUMENTS

D543,447 S * 5/2007 Allsopp D8/394
 D553,969 S * 10/2007 Allsopp D8/394
 D553,970 S * 10/2007 Allsopp D8/395
 D576,478 S * 9/2008 Mead D8/395
 D584,603 S * 1/2009 Reed D8/395
 D587,100 S * 2/2009 Allsopp D8/356
 D600,535 S * 9/2009 Rix D8/354
 D600,543 S * 9/2009 Coles D8/395
 D601,882 S * 10/2009 Mirer D8/395
 D603,781 S * 11/2009 Jimenez B60R 11/00
 D12/223
 D606,848 S * 12/2009 Jimenez D8/395
 D606,852 S * 12/2009 Boyd D8/395
 D618,992 S * 7/2010 Rix D8/354
 D620,342 S * 7/2010 Mikkelsen D8/354
 D632,554 S * 2/2011 Grzyb D8/395
 D653,940 S * 2/2012 Yasher D8/395
 D653,941 S * 2/2012 Yasher D8/395
 8,393,125 B2 * 3/2013 Martel E04F 15/04
 52/489.1

D690,583 S * 10/2013 Sendra-Gonzalez ... H02S 20/00
 D8/394
 8,544,229 B2 * 10/2013 Kilgore E04F 15/02044
 52/177
 8,662,455 B2 * 3/2014 Hernandez F16B 2/245
 248/222.12
 8,667,744 B2 * 3/2014 Shaw E04F 15/04
 52/483.1
 8,672,600 B2 * 3/2014 Reznar E04F 15/04
 411/457
 8,997,426 B1 * 4/2015 McLeod E04B 9/242
 52/506.07
 D732,382 S * 6/2015 Zalanca D8/394
 9,181,716 B1 * 11/2015 Gibson E04F 15/02038
 D747,636 S * 1/2016 Maher D8/72
 D787,173 S * 5/2017 Parnell D3/10
 D793,215 S * 8/2017 Gallion D8/394
 D811,869 S * 3/2018 Gallion D8/394
 D813,660 S * 3/2018 Tyner D8/396
 D815,939 S * 4/2018 Geiger D8/382
 D816,474 S * 5/2018 Ochi D8/395
 D816,475 S * 5/2018 Ochi D8/395
 D823,095 S * 7/2018 Stahl D8/354

* cited by examiner

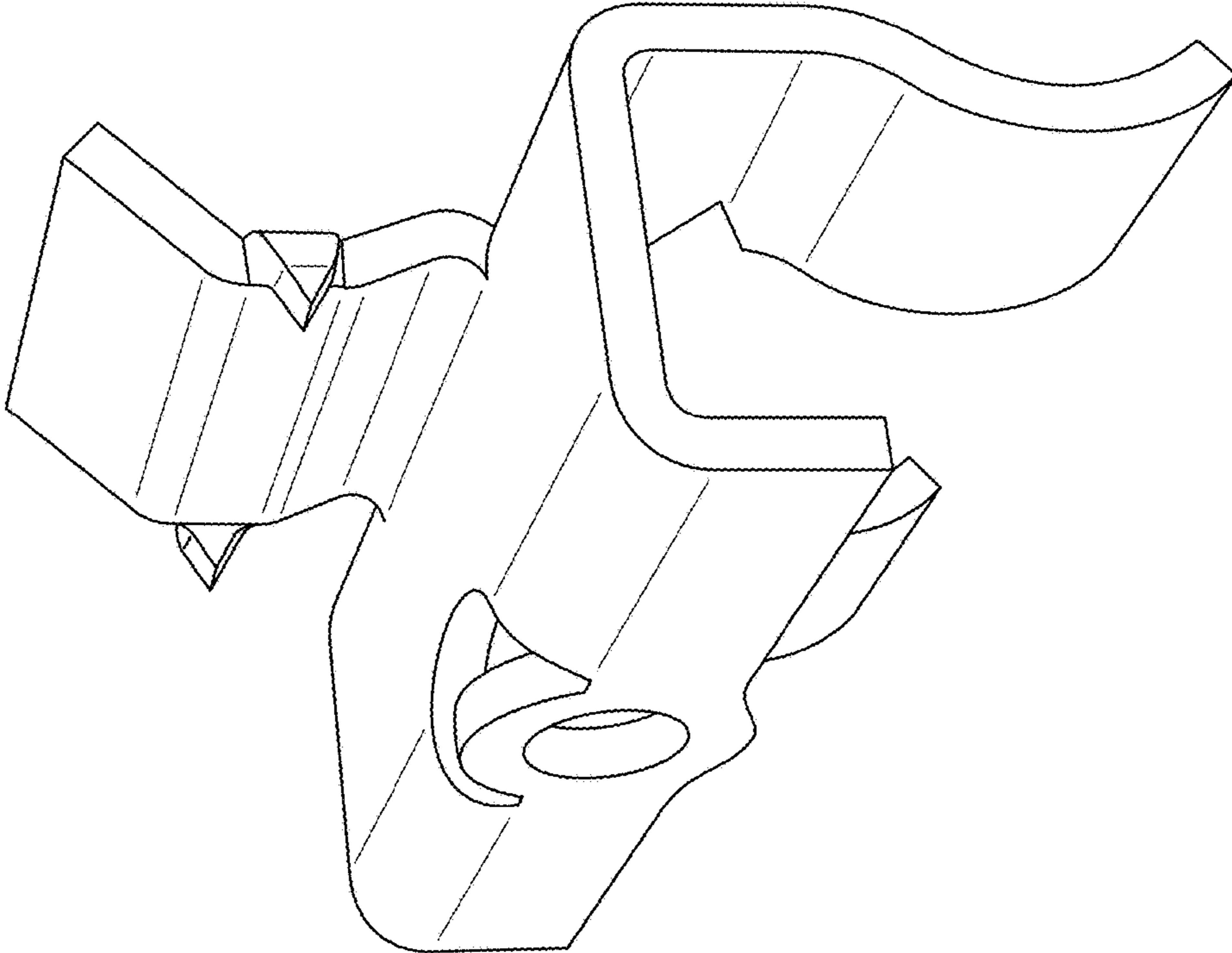


FIG. 1

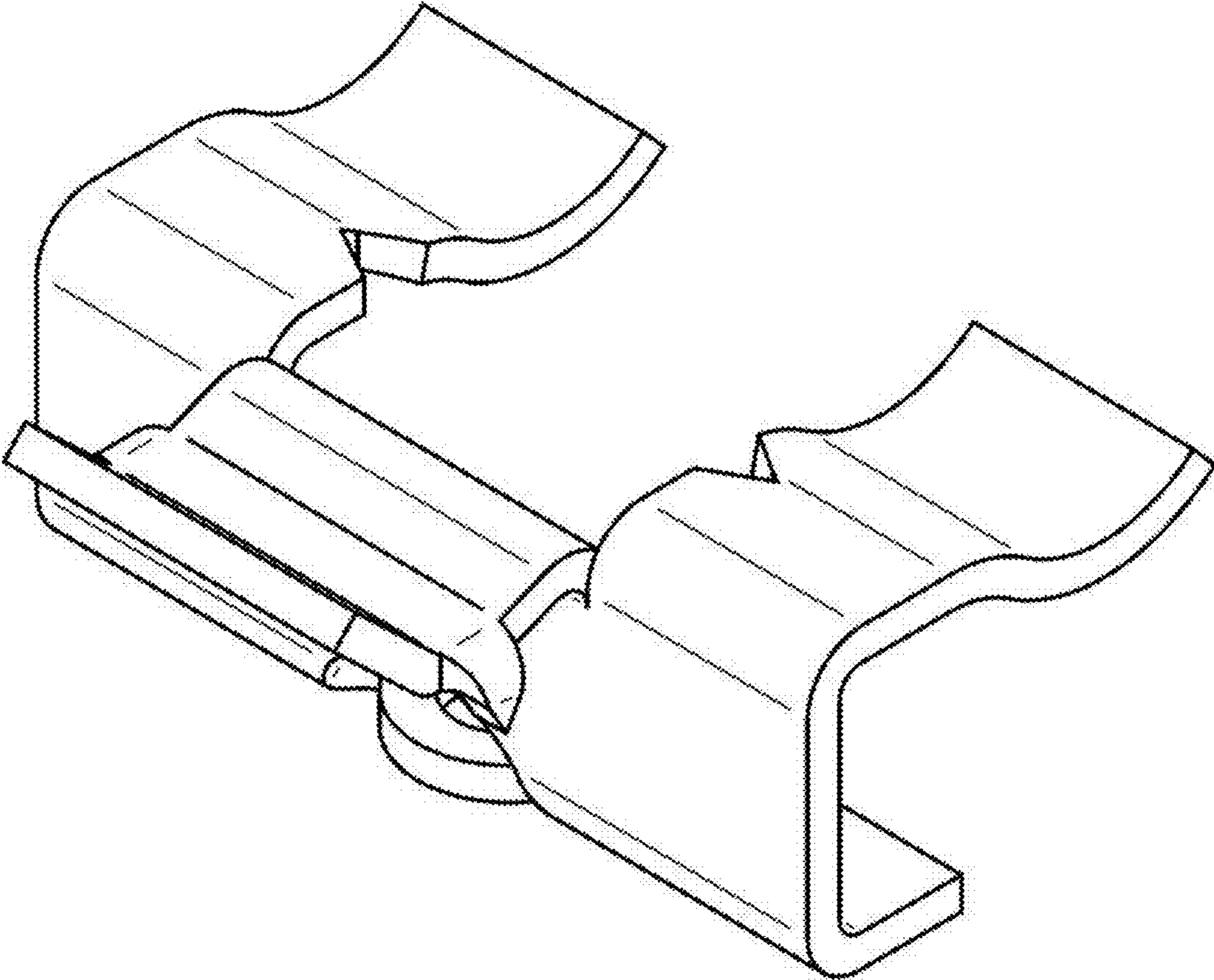


FIG. 2

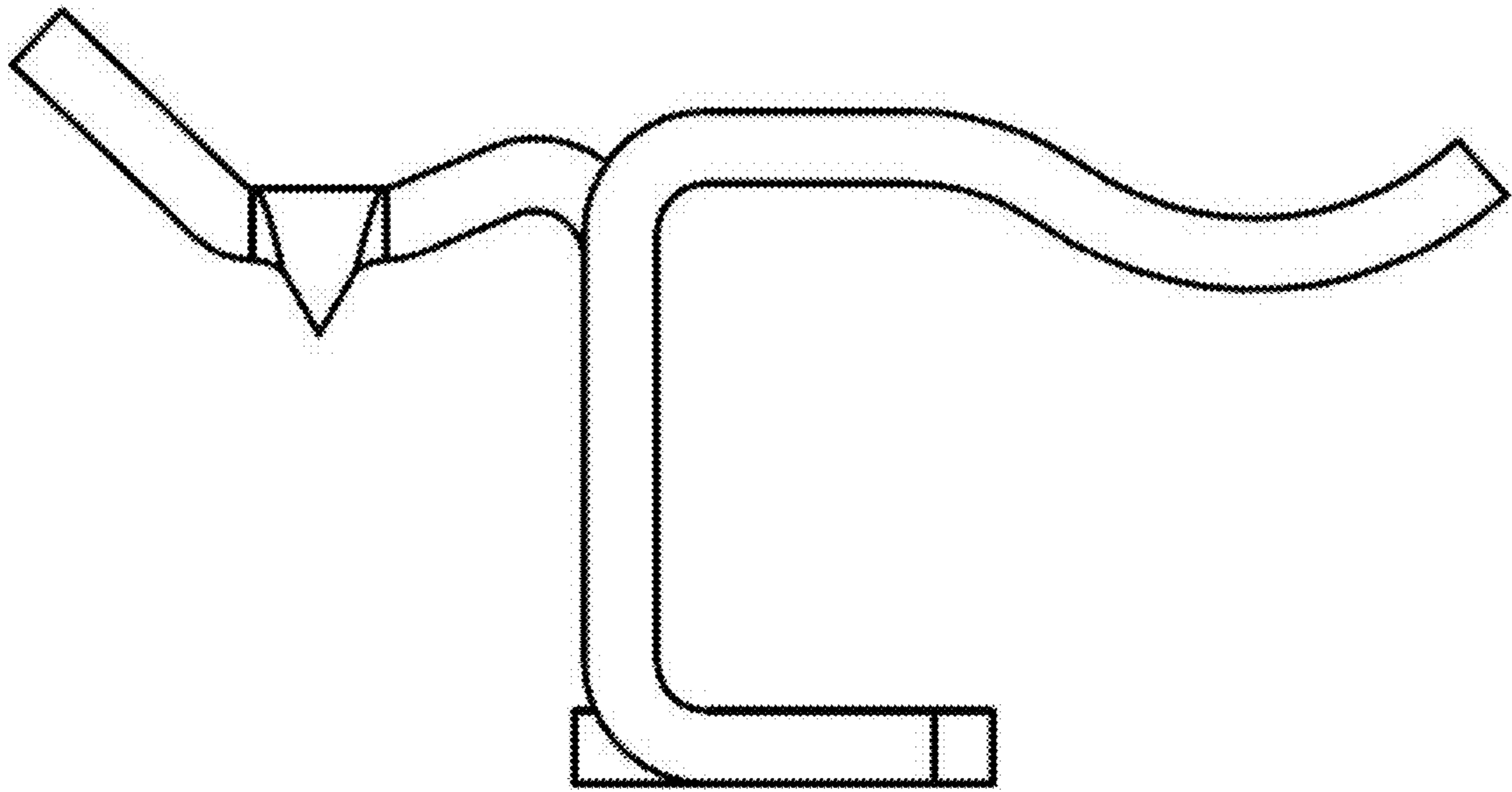


FIG. 3

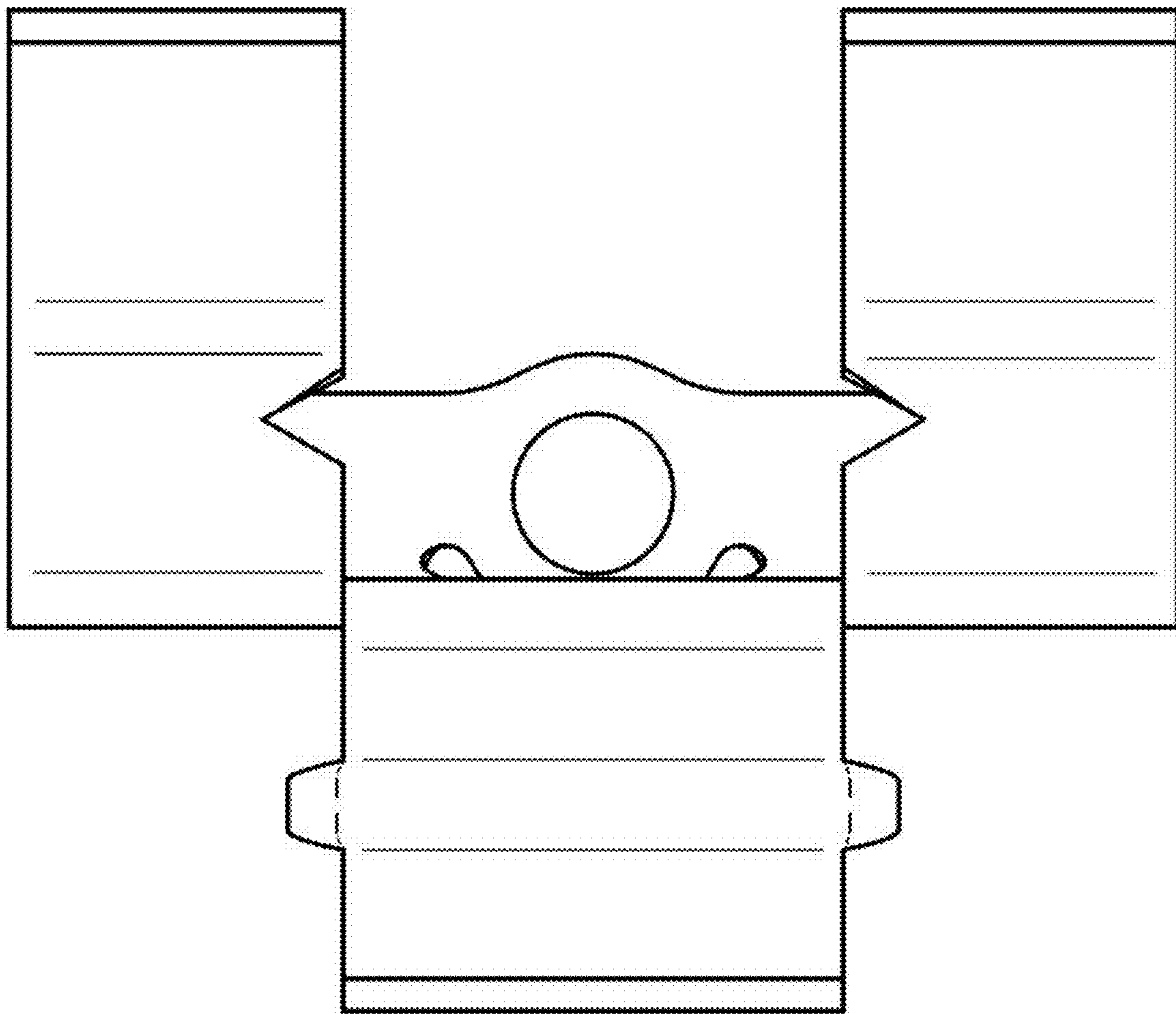


FIG. 4

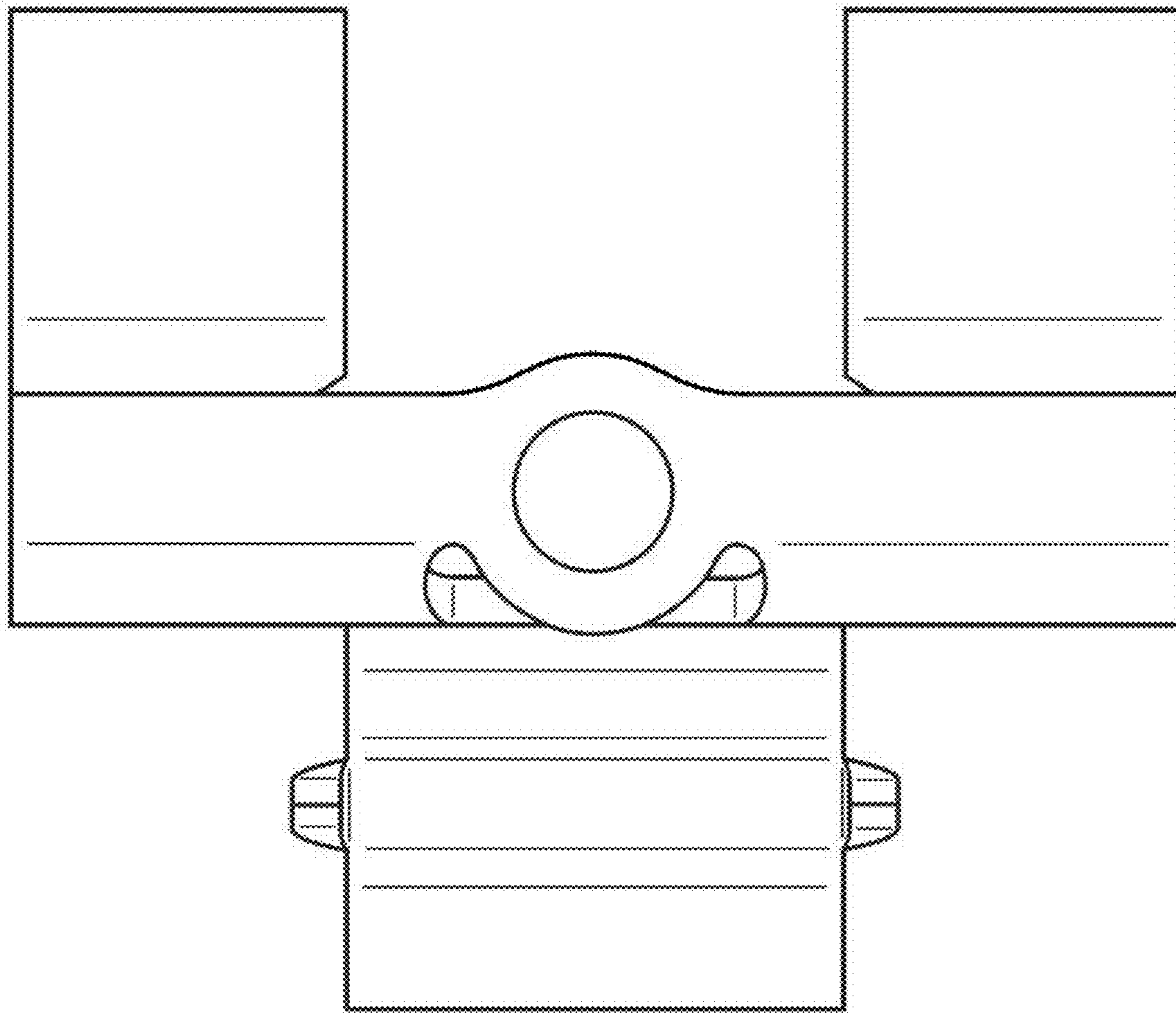


FIG. 5

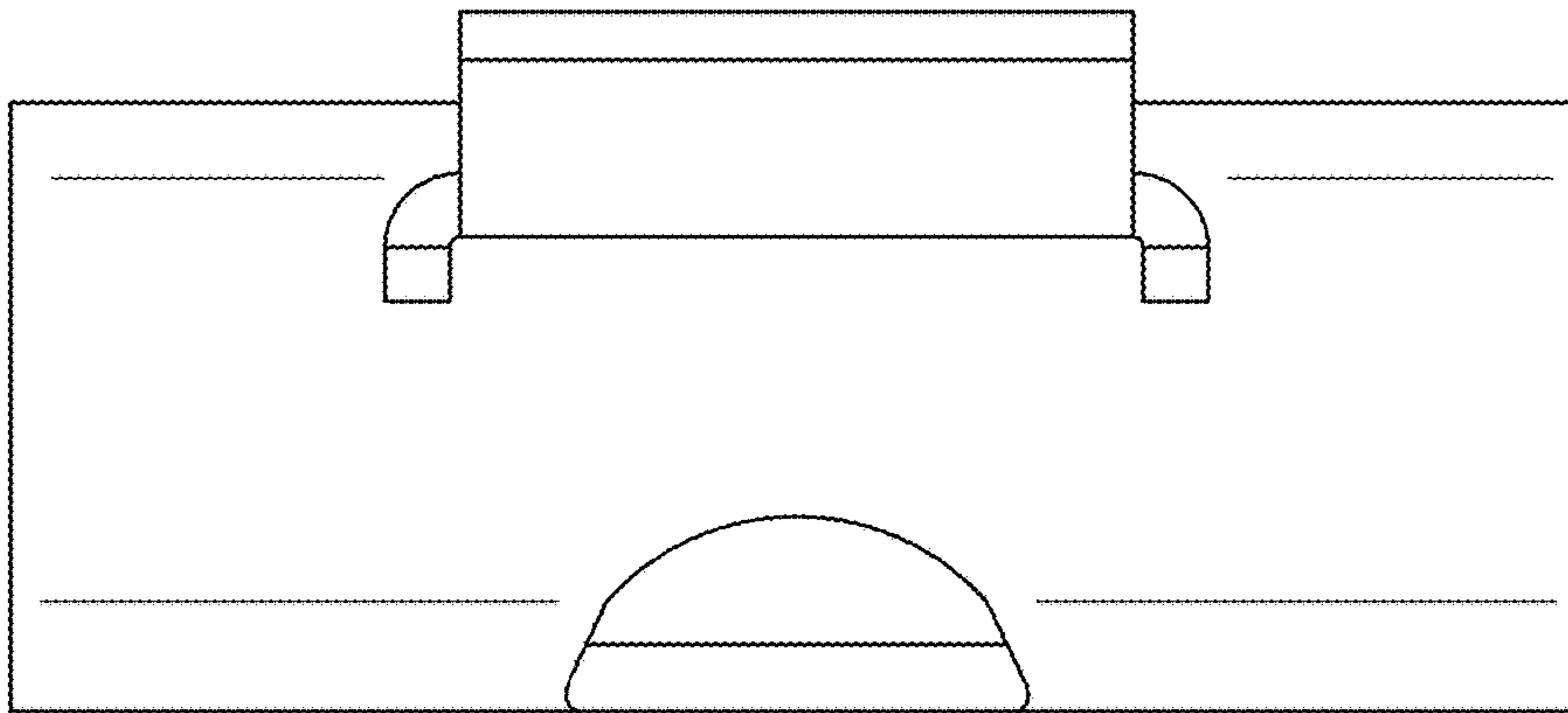


FIG. 6

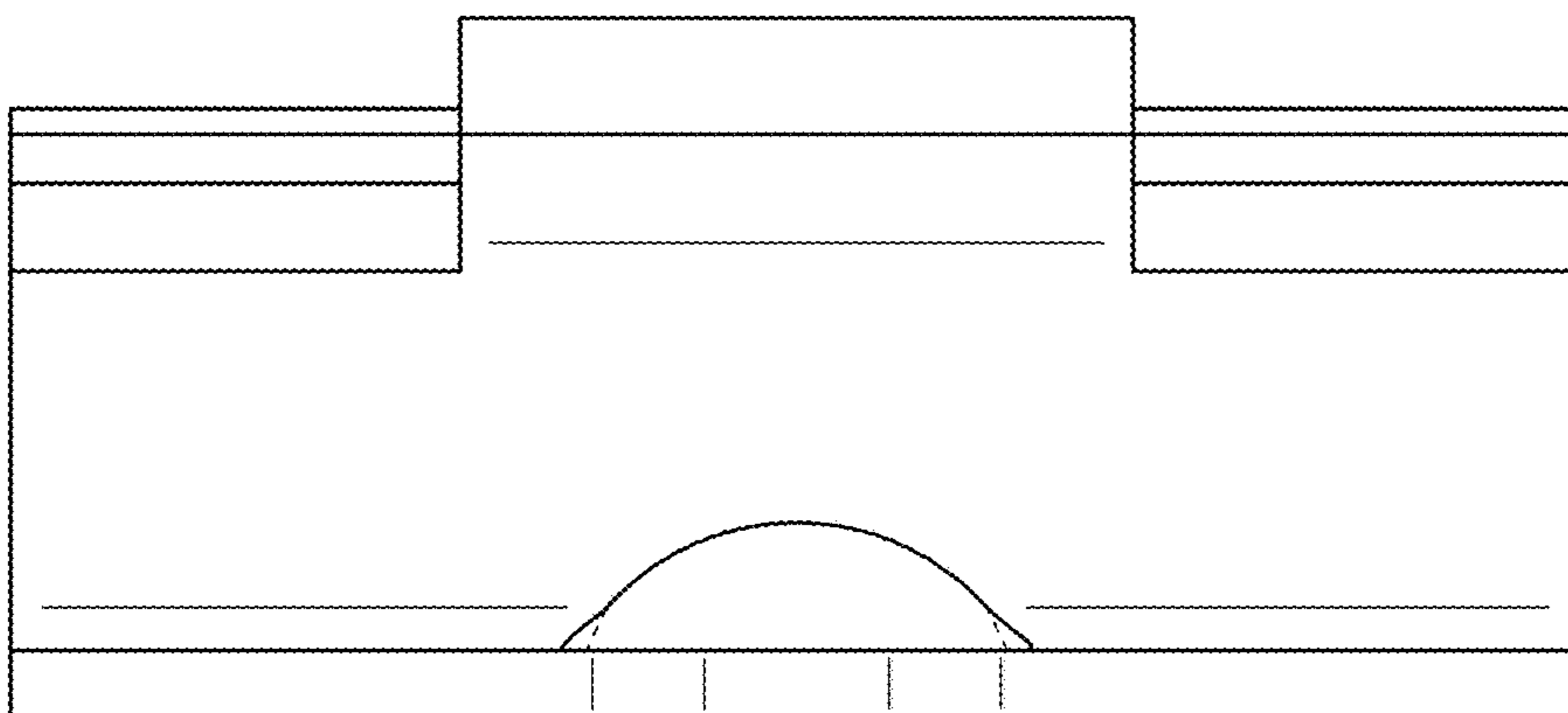


FIG. 7