



US00D861470S

(12) **United States Design Patent**
Heindl

(10) **Patent No.:** **US D861,470 S**

(45) **Date of Patent:** **** Oct. 1, 2019**

(54) **SHEET PILE CONNECTOR**

(71) Applicant: **Richard Heindl**, Gräfelfing (DE)

(72) Inventor: **Richard Heindl**, Gräfelfing (DE)

(**) Term: **15 Years**

(21) Appl. No.: **29/650,677**

(22) Filed: **Jun. 8, 2018**

(30) **Foreign Application Priority Data**

Dec. 8, 2017 (EM) 004540722-0013

(51) **LOC (12) Cl.** **08-08**

(52) **U.S. Cl.**
USPC **D8/382**

(58) **Field of Classification Search**
USPC D8/382, 394, 395; D25/119
CPC E02D 5/02; E02D 5/04; E02D 5/06; E02D
5/08; E02D 5/12; Y10T 403/73
See application file for complete search history.

(56) **References Cited**

U.S. PATENT DOCUMENTS

- 1,460,263 A * 6/1923 Ver Mehr E02D 5/04
405/281
- 1,862,426 A * 6/1932 Prielipp E02D 5/04
405/279
- 2,128,740 A * 8/1938 Dougherty E02D 5/08
405/281
- 2,332,812 A * 10/1943 Rieger E02D 5/08
405/281

- 6,420,014 B1 * 7/2002 Hartman E02D 5/04
405/274
- D479,797 S * 9/2003 Wall D25/119
- D527,249 S * 8/2006 Heindl D8/382
- D527,619 S * 9/2006 Heindl D8/382
- D618,991 S * 7/2010 Heindl D8/382
- D619,886 S * 7/2010 Heindl D8/382
- D621,247 S * 8/2010 Heindl D8/382
- D621,249 S * 8/2010 Heindl D8/382
- D621,251 S * 8/2010 Heindl D8/382
- D621,252 S * 8/2010 Heindl D8/382
- D640,532 S * 6/2011 Austro D8/382
- D665,659 S * 8/2012 Heindl D8/382
- D666,484 S * 9/2012 Heindl D8/382
- D805,376 S * 12/2017 Heindl D8/382
- 2012/0269583 A1 * 10/2012 Heindl E02D 5/06
405/251

* cited by examiner

Primary Examiner — Sandra S Snapp

Assistant Examiner — Ieisha N Price

(74) *Attorney, Agent, or Firm* — Meunier Carlin & Curfman LLC

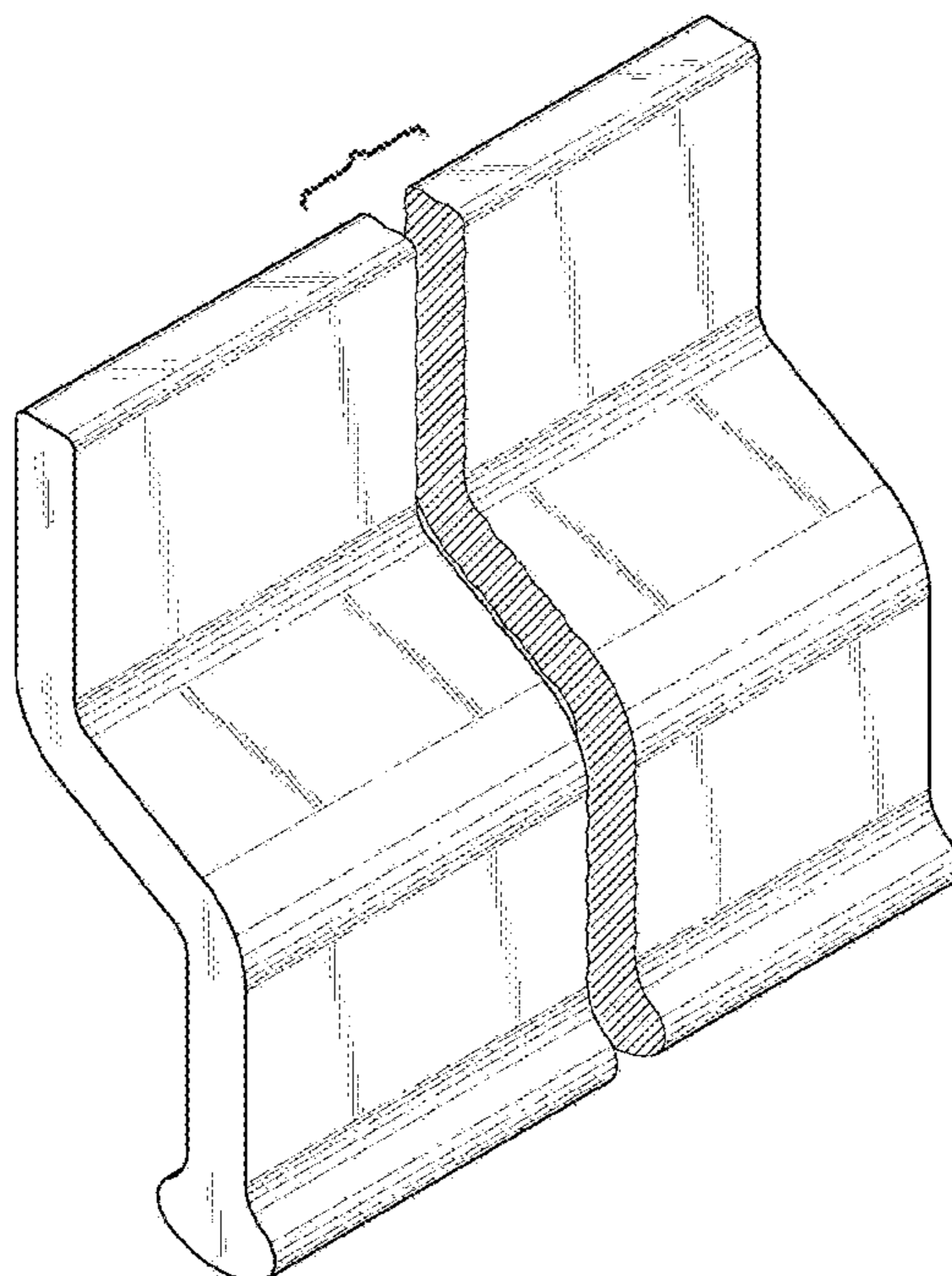
(57) **CLAIM**

The ornamental design for a sheet pile connector, as shown and described.

DESCRIPTION

FIG. 1 illustrates a front perspective view of my design; and, FIG. 2 illustrates a side view of the design shown in FIG. 1. The appearance of any portion of the article between the break lines shown in FIG. 1 forms no part of the claimed design.

1 Claim, 2 Drawing Sheets



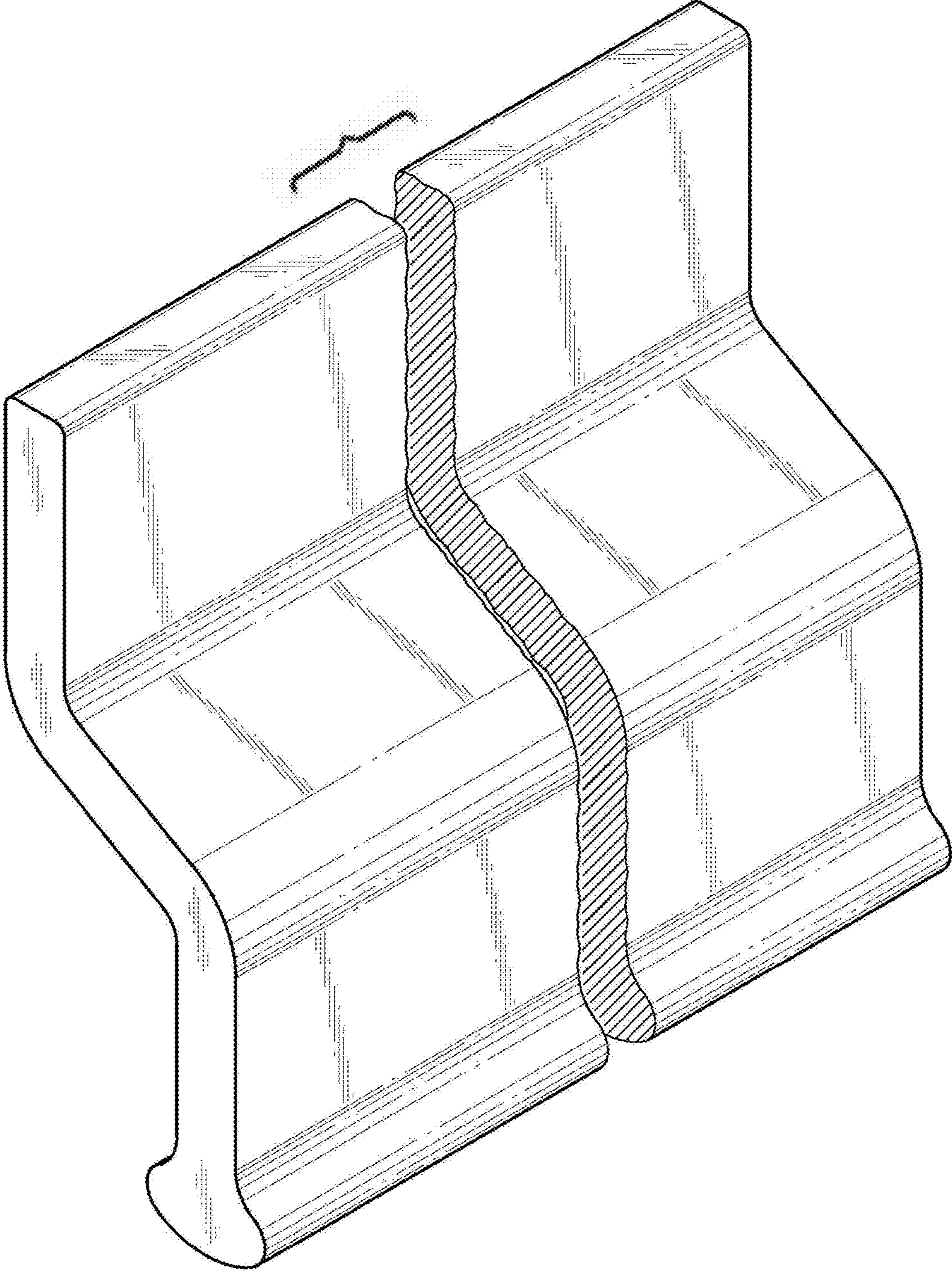


FIG. 1

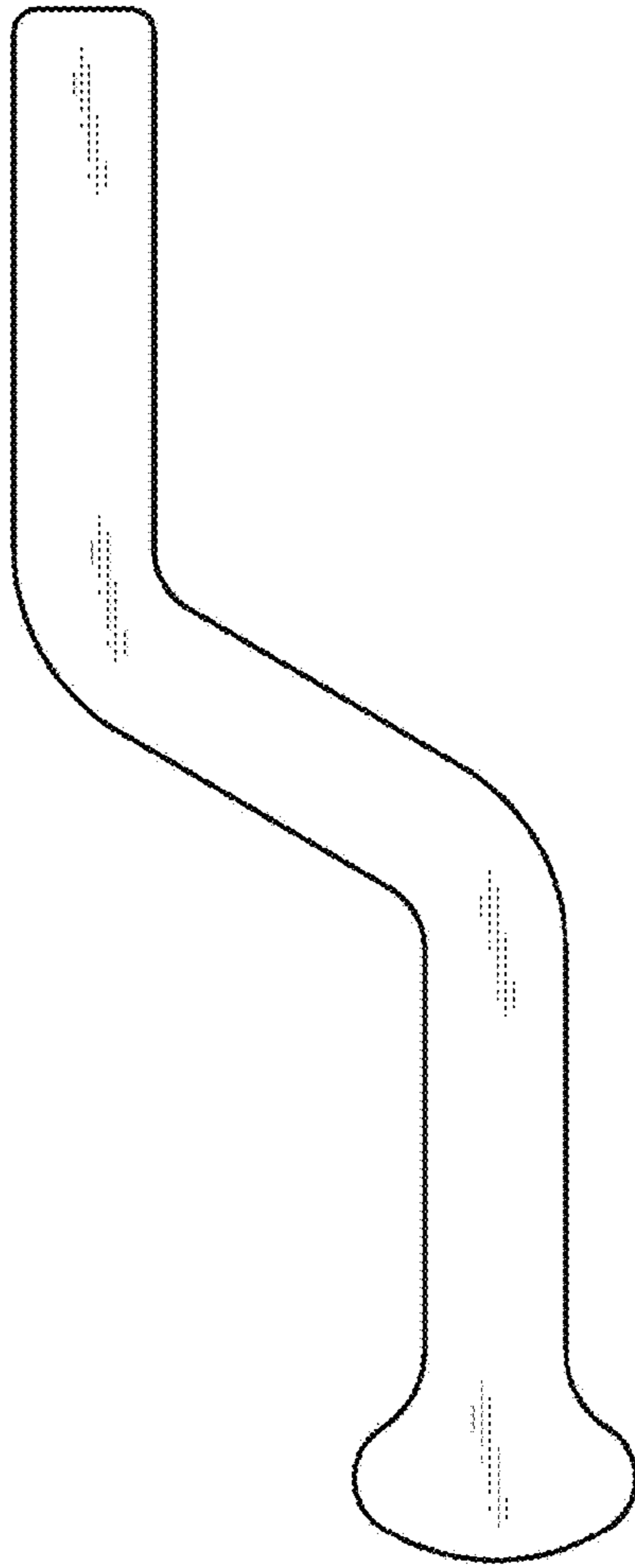


FIG. 2