



US00D861469S

(12) **United States Design Patent** (10) **Patent No.:** **US D861,469 S**  
**Heindl** (45) **Date of Patent:** **\*\* Oct. 1, 2019**

(54) **SHEET PILE CONNECTOR**  
(71) Applicant: **Richard Heindl**, Gräfelfing (DE)  
(72) Inventor: **Richard Heindl**, Gräfelfing (DE)  
(\*\*) Term: **15 Years**  
(21) Appl. No.: **29/650,672**  
(22) Filed: **Jun. 8, 2018**

6,000,883	A *	12/1999	Irvine	.....	E02D 5/02
					405/274
D543,841	S *	6/2007	Heindl	.....	D8/382
D618,991	S *	7/2010	Heindl	.....	D8/382
D621,248	S *	8/2010	Heindl	.....	D8/382
D621,252	S *	8/2010	Heindl	.....	D8/382
D665,658	S *	8/2012	Heindl	.....	D8/382
D665,660	S *	8/2012	Heindl	.....	D8/382
D681,428	S *	5/2013	Heindl	.....	D8/382
D832,088	S *	10/2018	Heindl	.....	D8/382
D832,089	S *	10/2018	Heindl	.....	D8/382
D832,687	S *	11/2018	Heindl	.....	D8/382
D832,688	S *	11/2018	Heindl	.....	D8/382
2008/0145153	A1 *	6/2008	Wendt	.....	E02B 3/108
					405/274

(30) **Foreign Application Priority Data**

Dec. 8, 2017 (EM) ..... 004540722-0008

(51) **LOC (12) Cl.** ..... **08-08**

(52) **U.S. Cl.**  
USPC ..... **D8/382**

(58) **Field of Classification Search**  
USPC ..... D8/382, 394, 395; D25/119  
CPC .... E02D 5/02; E02D 5/04; E02D 5/06; E02D  
5/08; E02D 5/12; Y10T 403/73  
See application file for complete search history.

(56) **References Cited**

U.S. PATENT DOCUMENTS

1,837,787	A *	12/1931	Meiser	.....	E02D 5/08
					29/897.3
2,332,812	A *	10/1943	Rieger	.....	E02D 5/08
					405/281
D242,035	S *	10/1976	Drawsky	.....	D25/119

\* cited by examiner

*Primary Examiner* — Sandra S Snapp

*Assistant Examiner* — Ieisha N Price

(74) *Attorney, Agent, or Firm* — Meunier Carlin & Curfman LLC

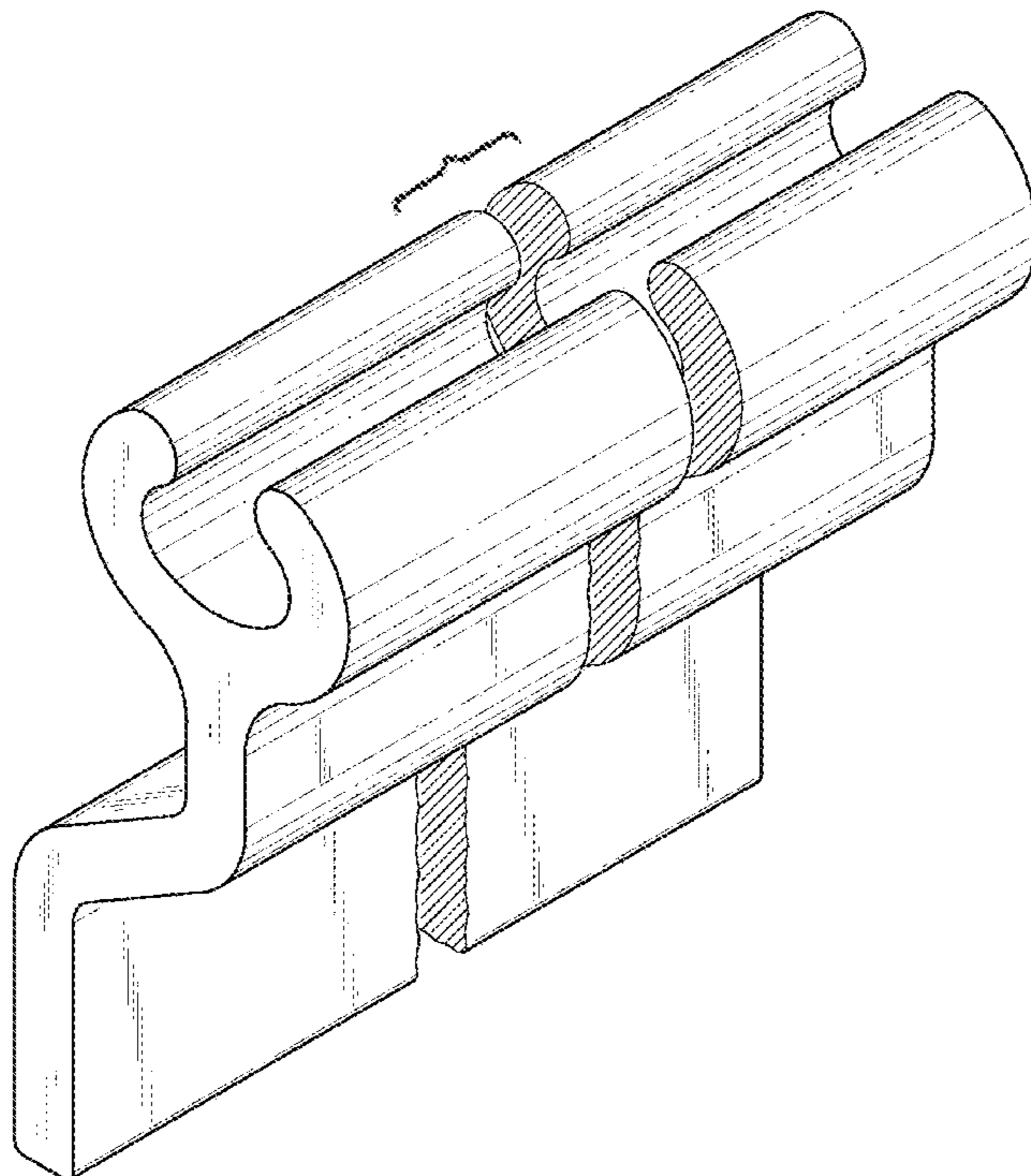
(57) **CLAIM**

The ornamental design for a sheet pile connector, as shown and described.

**DESCRIPTION**

FIG. 1 illustrates a front perspective view of my design; and, FIG. 2 illustrates a side view of the design shown in FIG. 1. The appearance of any portion of the article between the break lines shown in FIG. 1 forms no part of the claimed design.

**1 Claim, 2 Drawing Sheets**



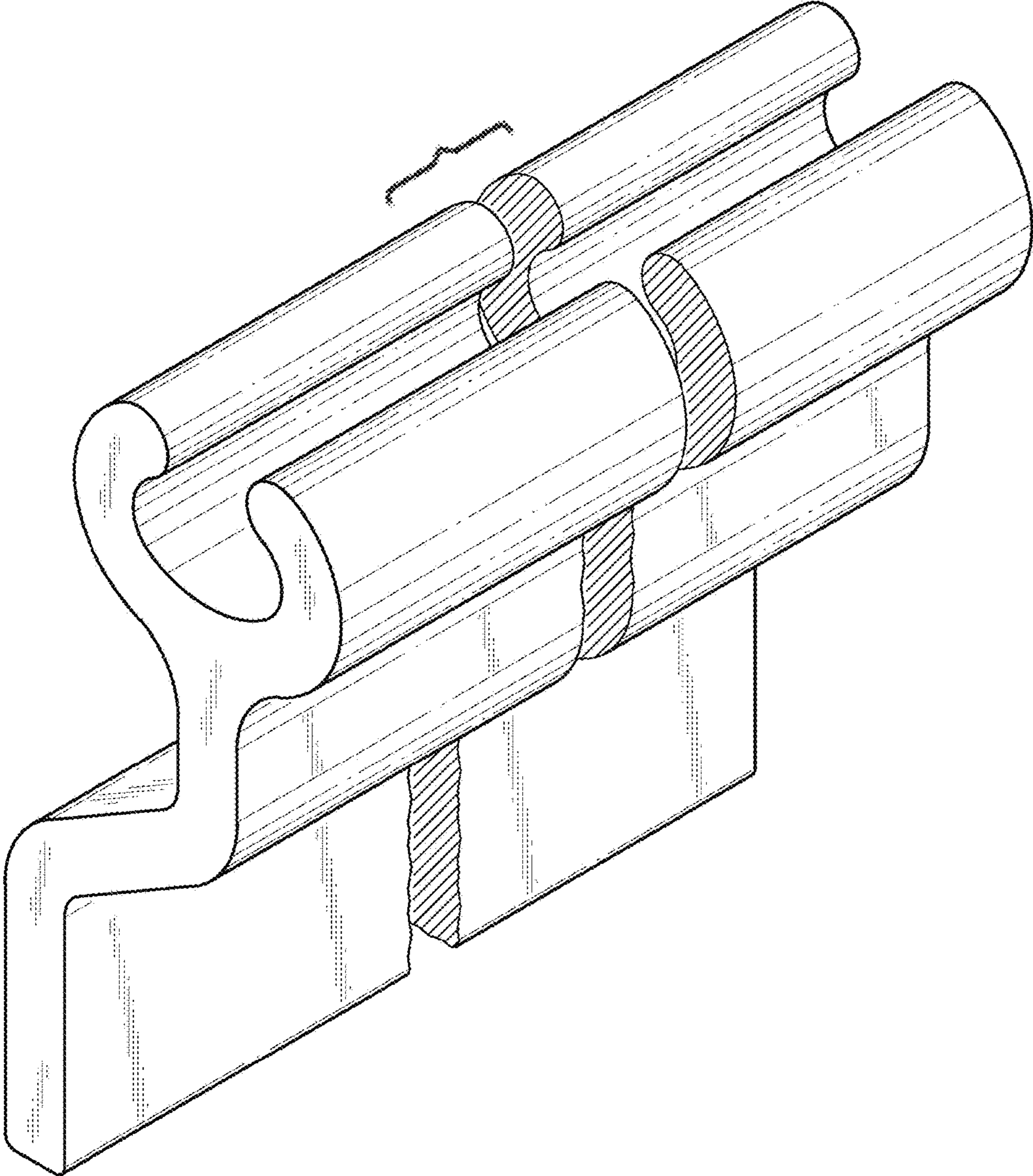


FIG. 1

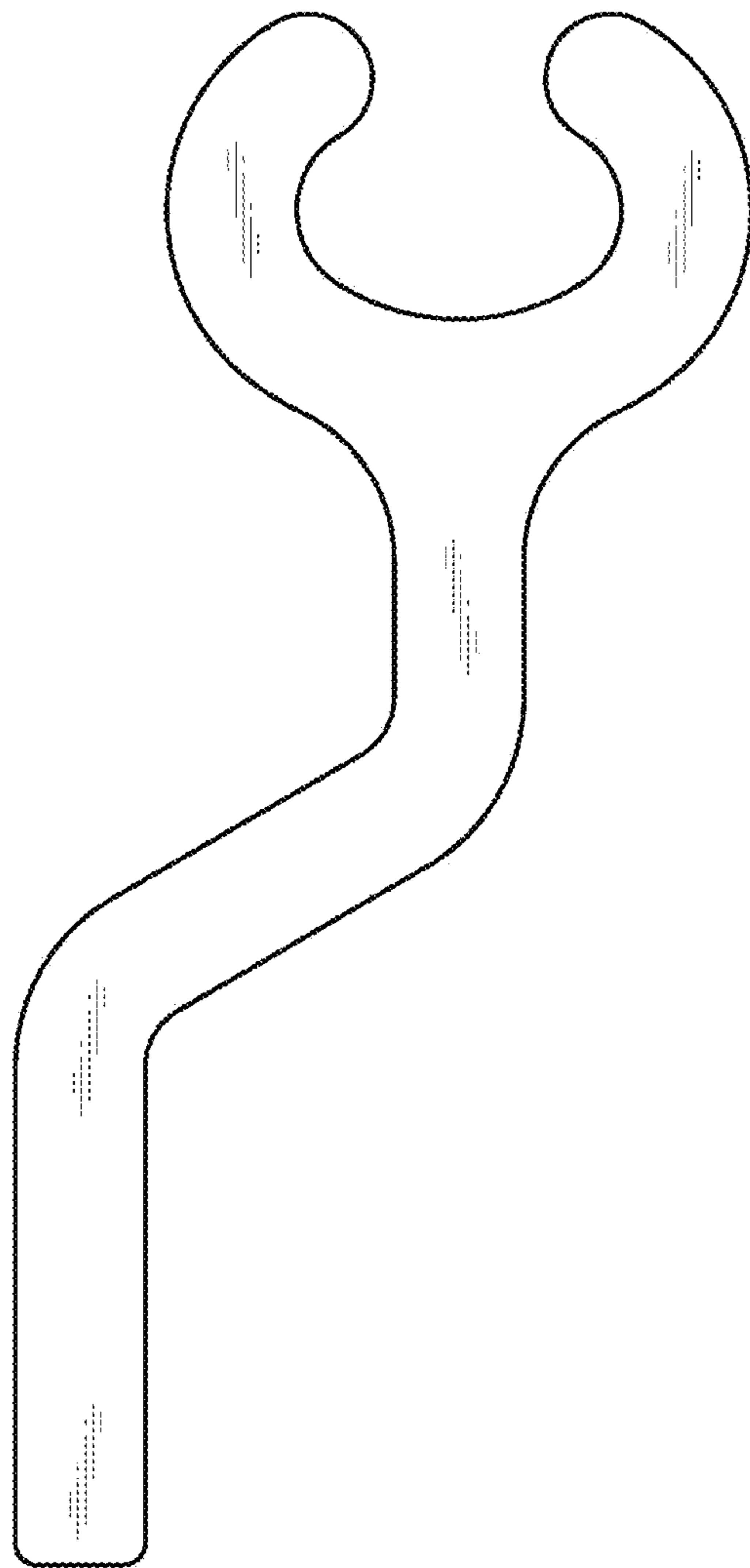


FIG. 2