

US00D861468S

(12) **United States Design Patent**  
**Bowser**

(10) **Patent No.:** **US D861,468 S**

(45) **Date of Patent:** **\*\* Oct. 1, 2019**

(54) **TABLE LEG COUPLER**

(71) Applicant: **William Bowser**, Park City, UT (US)

(72) Inventor: **William Bowser**, Park City, UT (US)

(\*\*) Term: **15 Years**

(21) Appl. No.: **29/630,492**

(22) Filed: **Dec. 21, 2017**

(51) **LOC (12) Cl.** ..... **08-08**

(52) **U.S. Cl.**  
USPC ..... **D8/382**

(58) **Field of Classification Search**  
USPC ..... D8/14, 16, 19, 394, 354, 373, 381, 382;  
D6/702, 707.17, 709  
CPC ..... F16B 12/00; F16B 12/10; F16B 12/44;  
F16B 12/46; F16B 12/48; F16B 12/50;  
F16B 12/52; A47B 13/003; A47B  
2220/0038; A47B 2220/0044; A47B  
13/021; A47B 2220/0036; A47B  
2230/0055

See application file for complete search history.

(56) **References Cited**

**U.S. PATENT DOCUMENTS**

1,669,199	A *	5/1928	Hicks	.....	H01F 27/02 248/201
D128,279	S	7/1941	Caldwell		
D180,283	S	5/1957	Hoven		
D183,555	S	9/1958	Close		
4,117,644	A *	10/1978	Weinar	.....	E04F 13/0844 52/363
D264,423	S *	5/1982	Naylor	.....	D8/1
4,448,007	A *	5/1984	Adams	.....	E04F 13/0823 52/100
4,831,808	A *	5/1989	Wynar	.....	E04B 9/245 52/281
D334,678	S	4/1993	Hinden		
D341,538	S *	11/1993	Paul	.....	D8/373

D366,065	S *	1/1996	Lockard	.....	D20/22
5,735,562	A	4/1998	Borg		
D517,355	S	3/2006	Strong		
D527,930	S	9/2006	Aslle		
D529,734	S	10/2006	Astle et al.		

(Continued)

**OTHER PUBLICATIONS**

Book ends, publicly available, on information and belief, at least as early as Dec. 19, 2017 (5 pages, 18 photos).

(Continued)

*Primary Examiner* — Sandra S Snapp

*Assistant Examiner* — Ieisha N Price

(74) *Attorney, Agent, or Firm* — Workman Nydegger

(57) **CLAIM**

The ornamental design for a table leg coupler, as shown and described.

**DESCRIPTION**

FIG. 1 is a perspective view of the table leg coupler of the present invention;

FIG. 2 is a right top perspective view thereof;

FIG. 3 is a left top perspective view thereof;

FIG. 4 is a left bottom perspective view thereof;

FIG. 5 is a right bottom perspective view thereof;

FIG. 6 is a bottom view thereof;

FIG. 7 is a top view thereof;

FIG. 8 is a left side view thereof;

FIG. 9 is a right side view thereof;

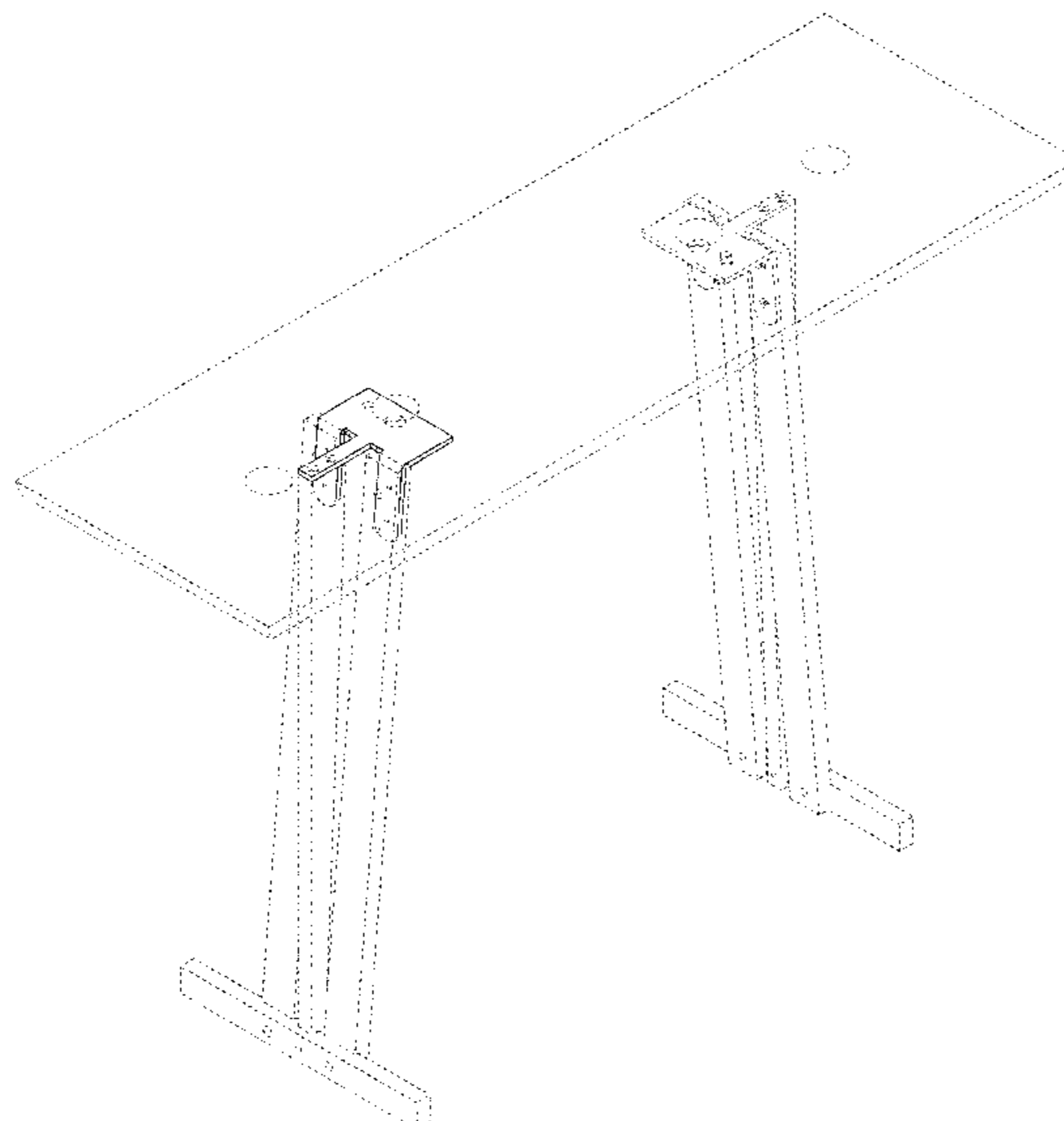
FIG. 10 is a back end view thereof; and,

FIG. 11 is a front end view thereof.

The broken lines showing of the table top and table legs in FIG. 1 illustrates the environment of the claimed design and forms no part thereof. The remaining broken lines in the drawings illustrate portions of the table leg coupler and form no part of the claimed design.

The dot-dash-dot lines shown in the figures indicate bounds of the claimed design and form no part thereof.

**1 Claim, 8 Drawing Sheets**



(56)

**References Cited**

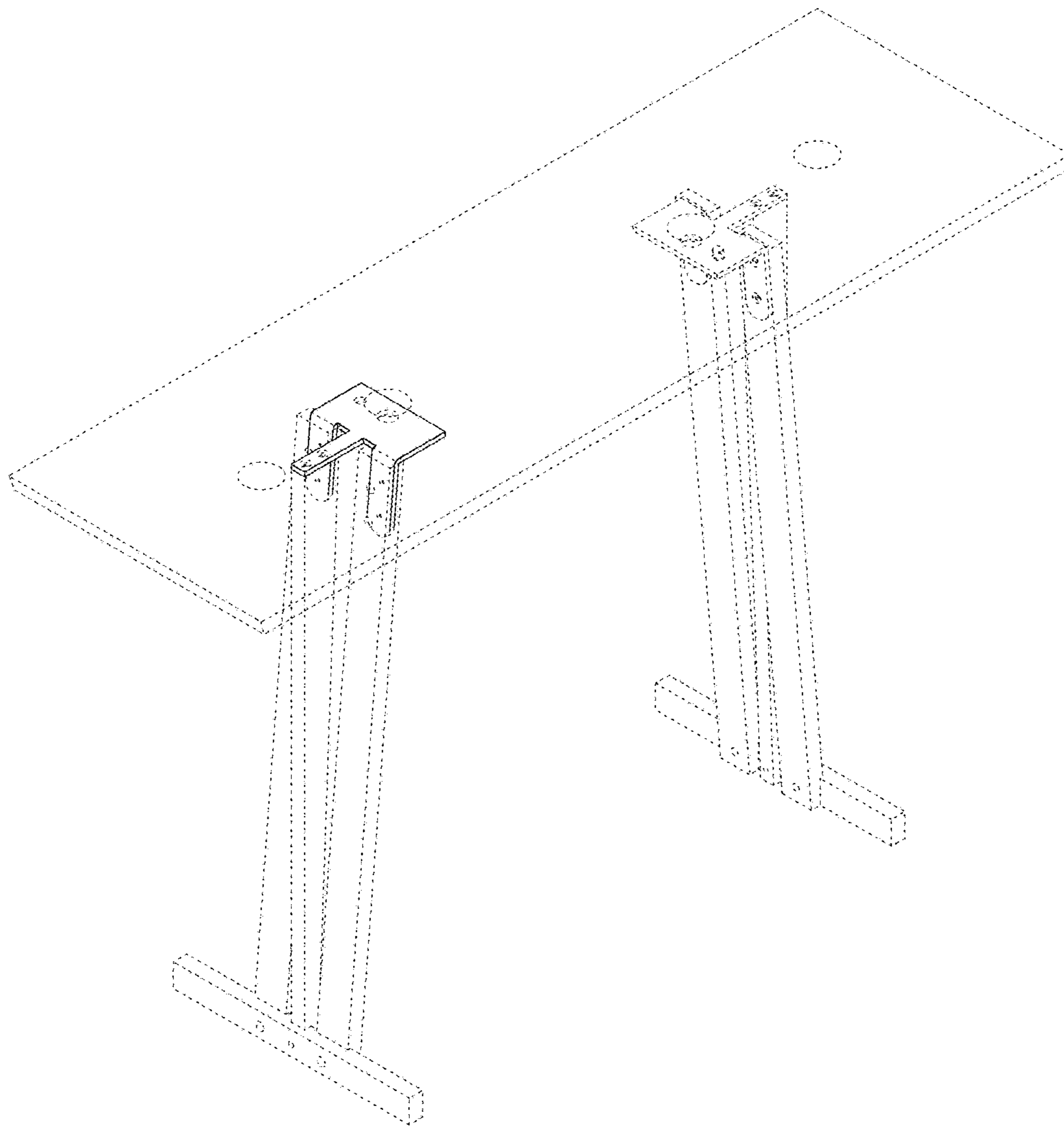
U.S. PATENT DOCUMENTS

D560,085	S	1/2008	Glass et al.	
7,823,943	B2	11/2010	Borg	
D644,046	S	8/2011	Cronk	
D677,505	S *	3/2013	Walton .....	D6/552
D692,960	S *	11/2013	Robins .....	D21/386
D696,543	S	12/2013	Shyu	
8,720,129	B2 *	5/2014	Sias .....	B66C 1/62 52/125.2
9,095,209	B2	8/2015	Mirth et al.	
D760,066	S *	6/2016	Krenek .....	D8/354
D815,867	S	4/2018	Herring	
D833,262	S *	11/2018	Royak .....	D8/373
D841,379	S	2/2019	Jacoby	
2002/0148394	A1	10/2002	Strong	

OTHER PUBLICATIONS

Coupling system for couch pieces, publicly available, on information and belief, at least as early as Feb. 2017 (3 pages, 11 photos).  
 Wayfair Tables, publicly available and on sale, at least as early as Dec. 11, 2017 (2 pages).  
 Wikipedia article entitled "Lazy Susan" dated Dec. 15, 2017 (4 pages).  
 U.S. Appl. No. 29/630,500, filed Mar. 15, 2019, Office Action.  
 U.S. Appl. No. 29/630,493, filed Mar. 29, 2019, Office Action.

\* cited by examiner



**FIG. 1**

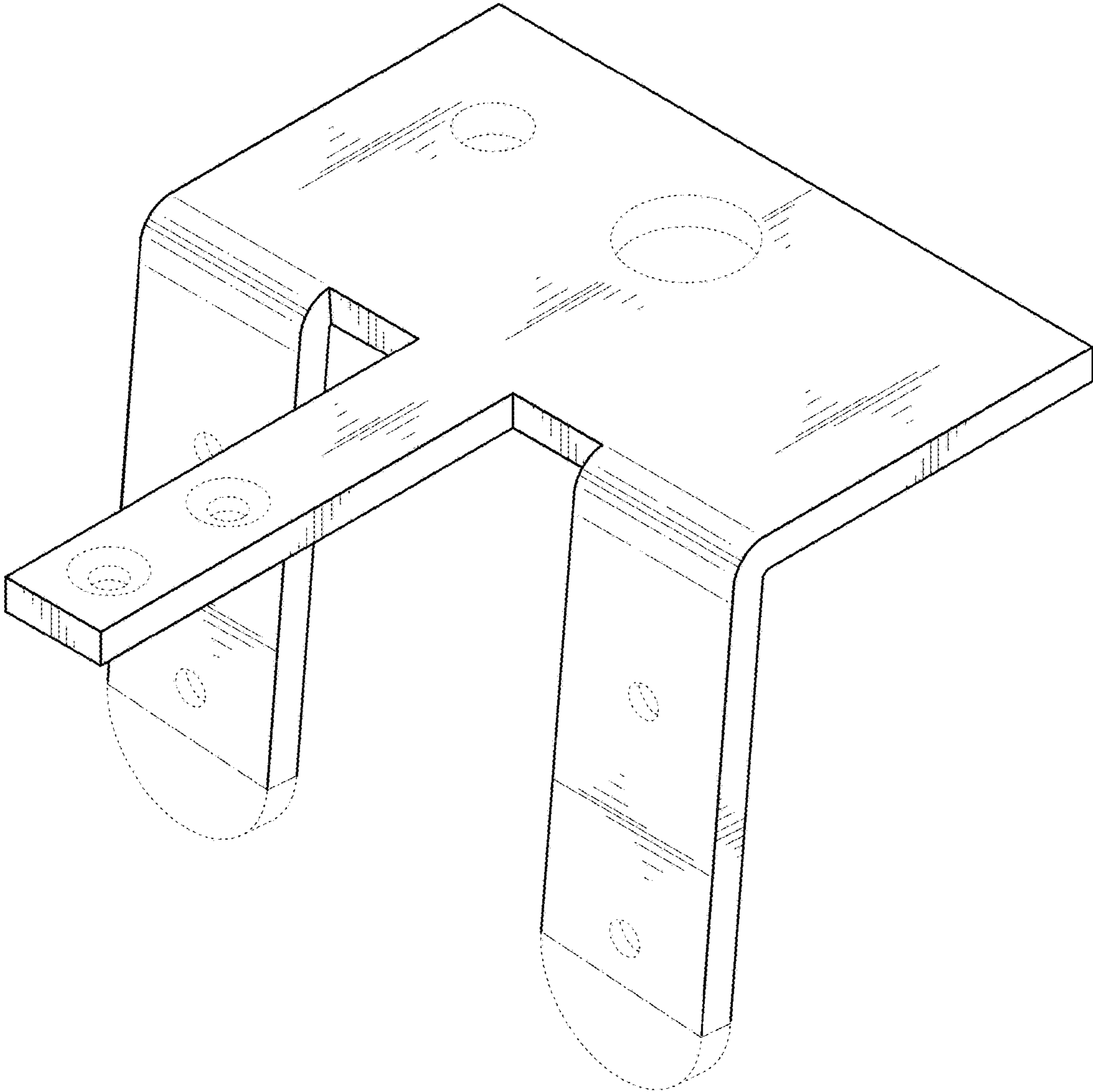
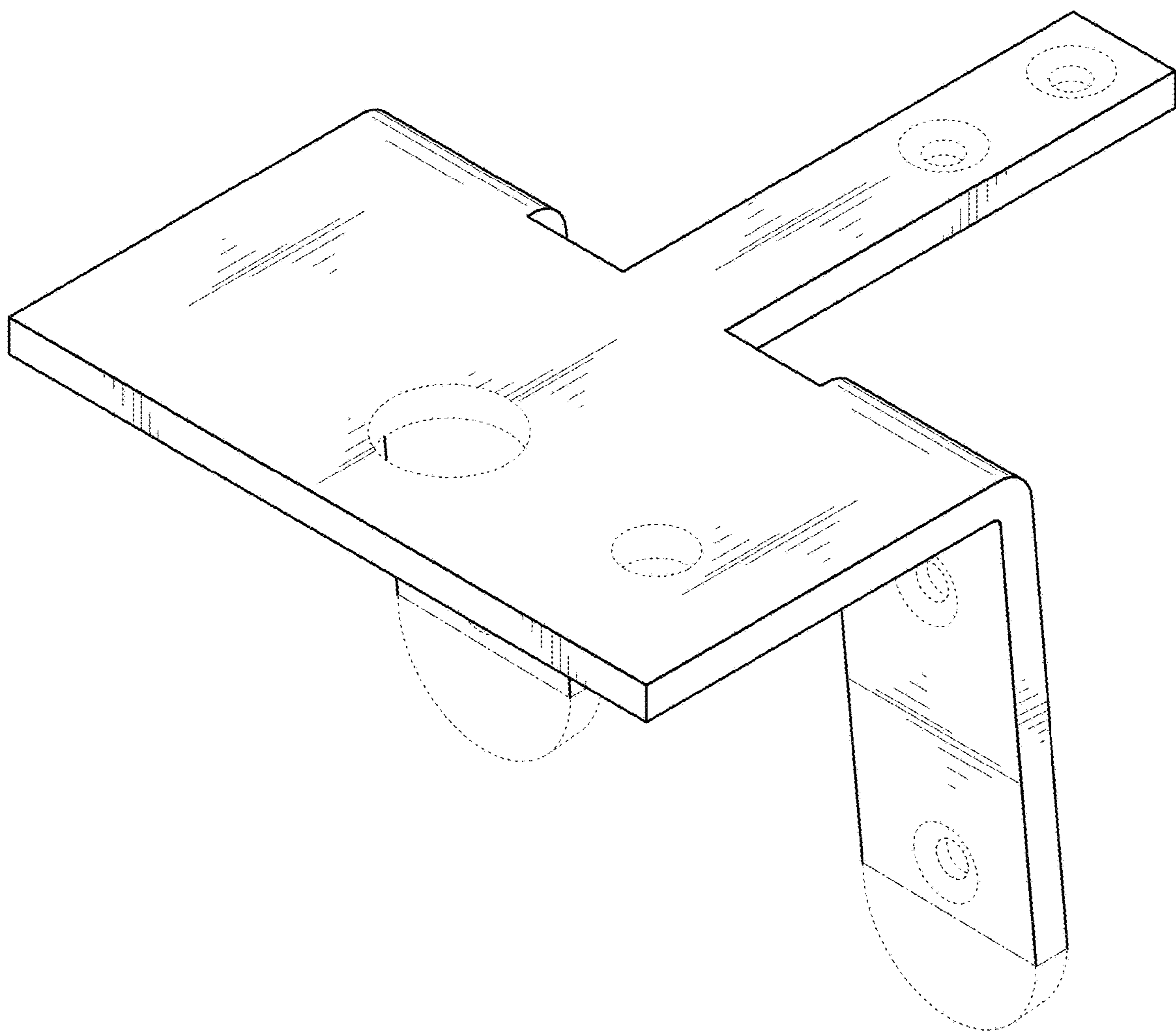
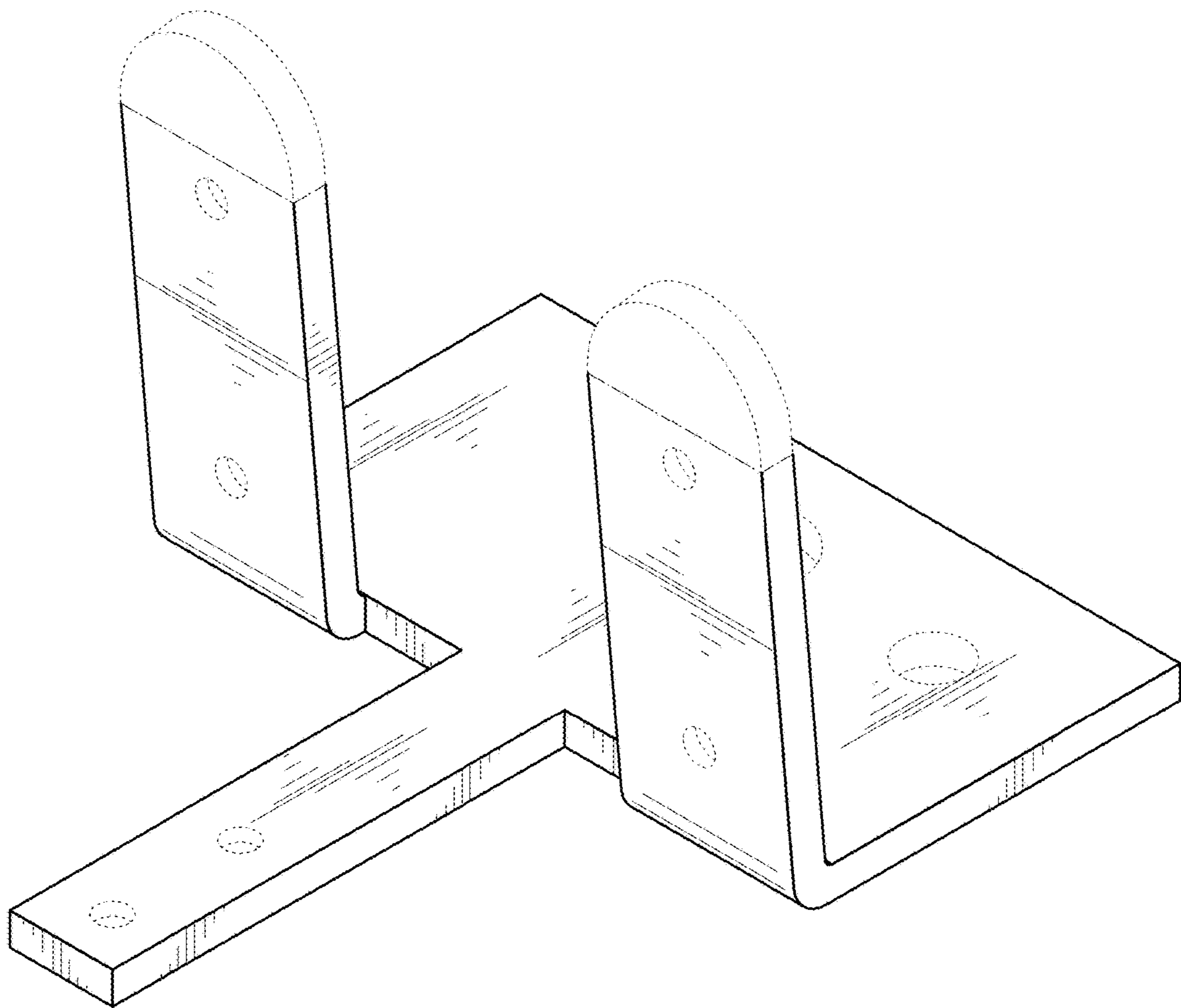


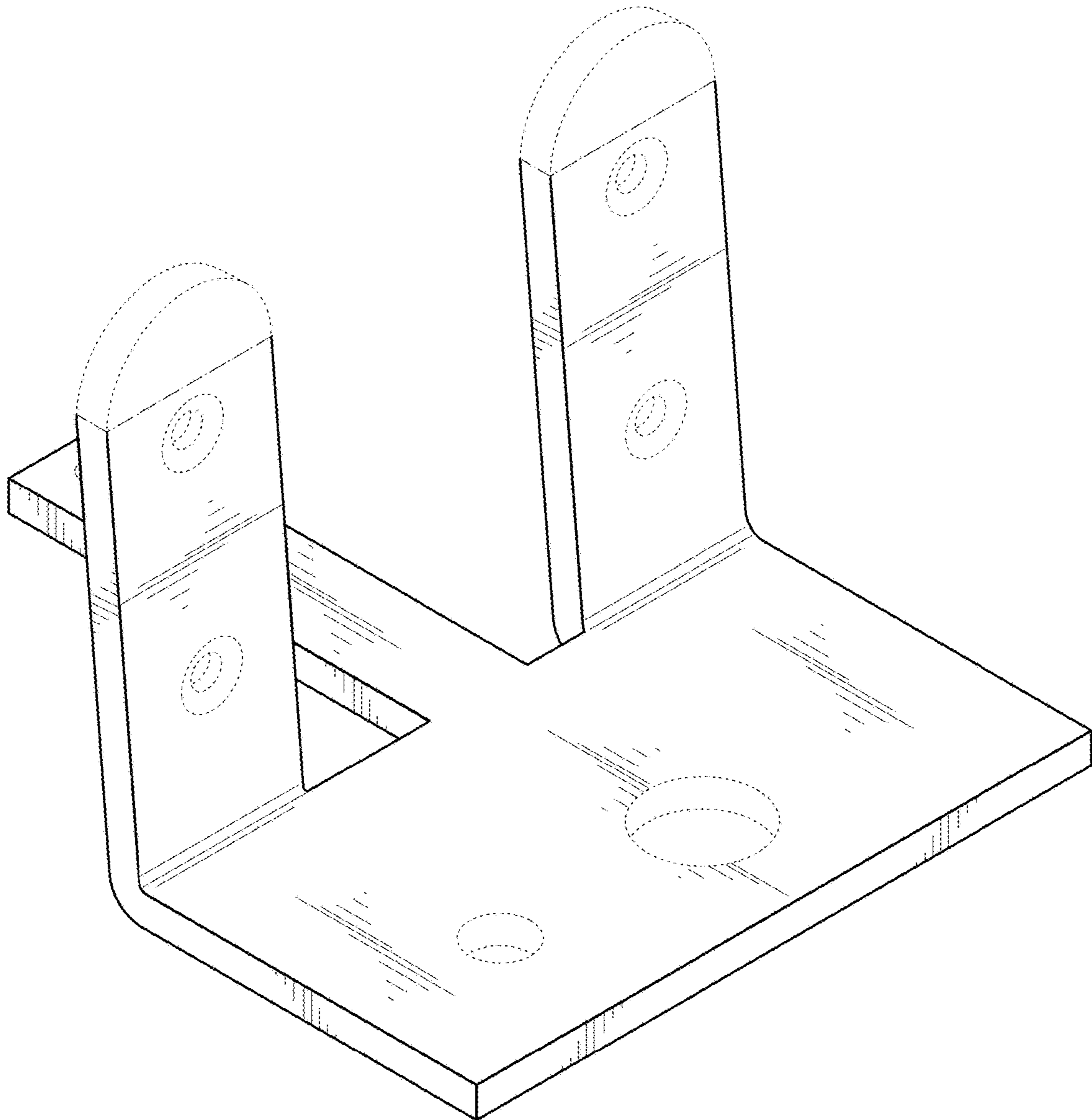
FIG. 2



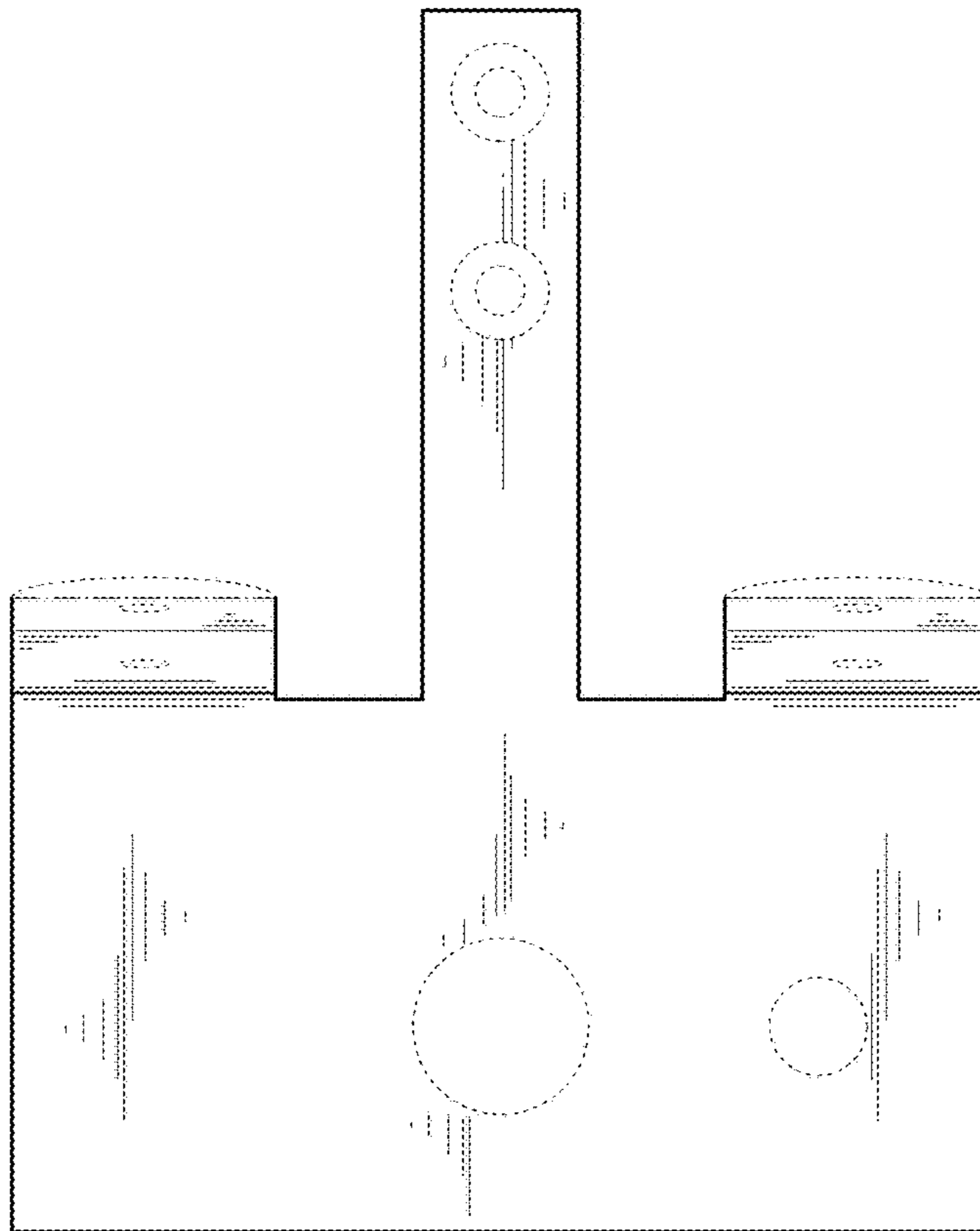
**FIG. 3**



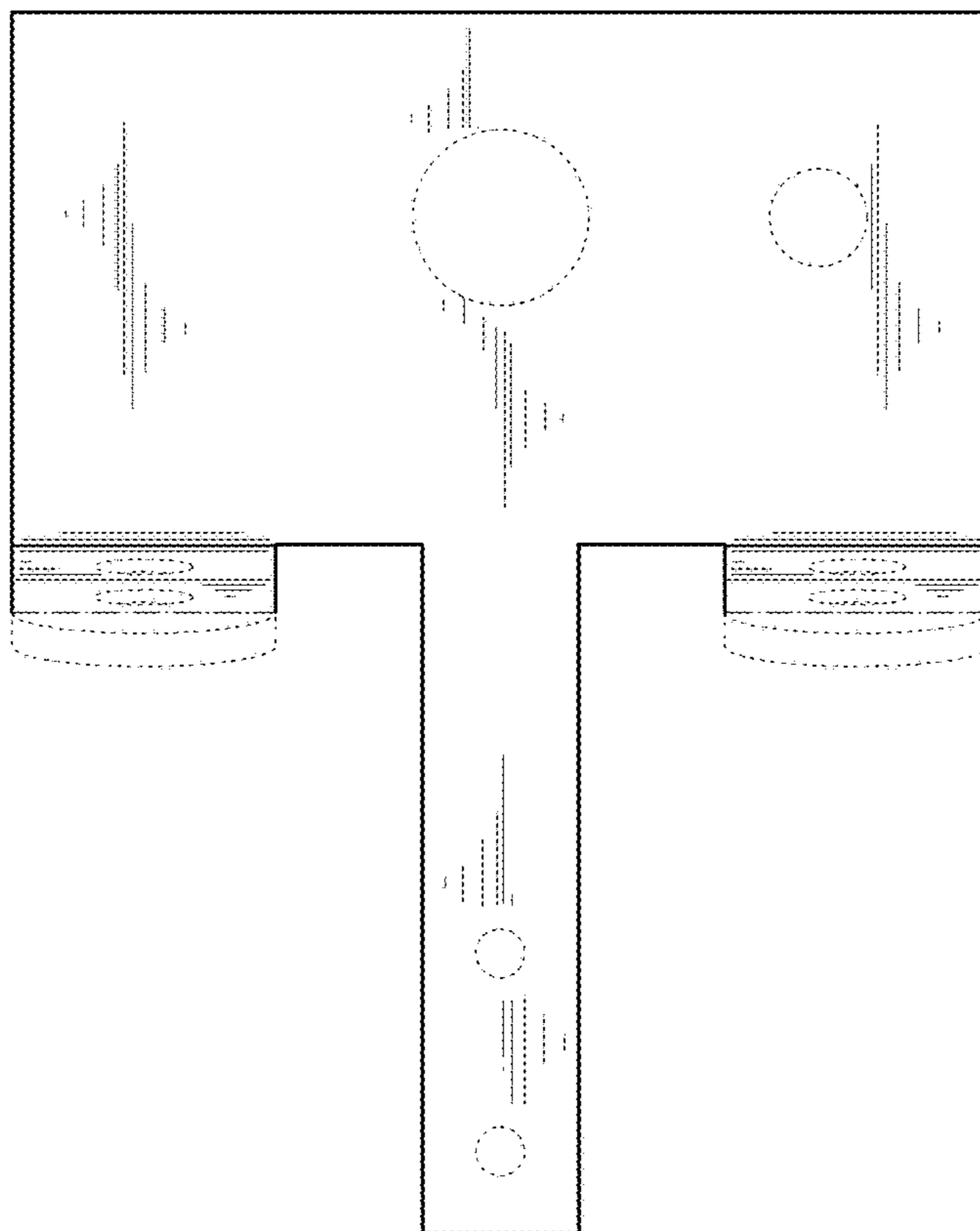
**FIG. 4**



**FIG. 5**

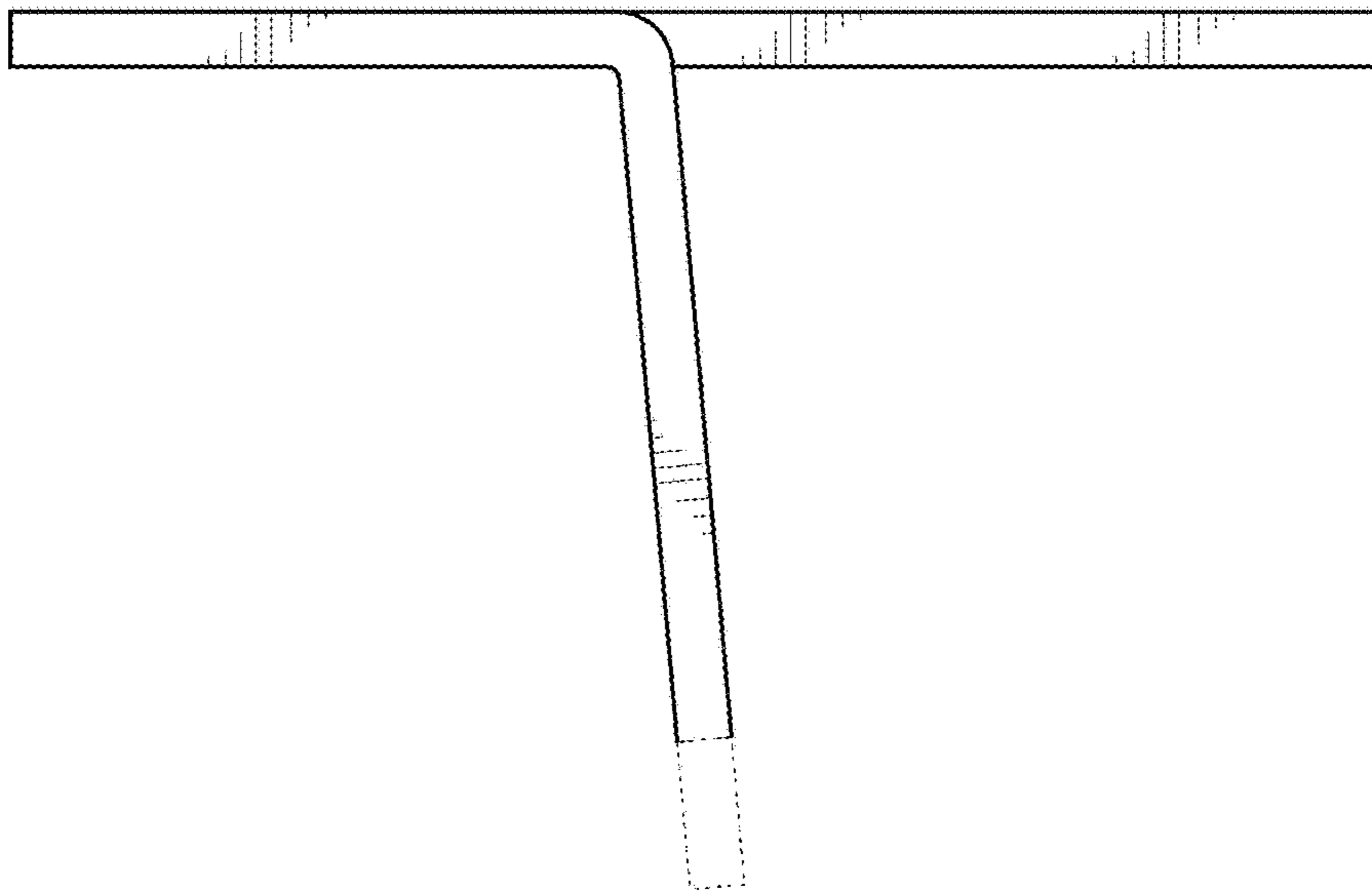


**FIG. 6**

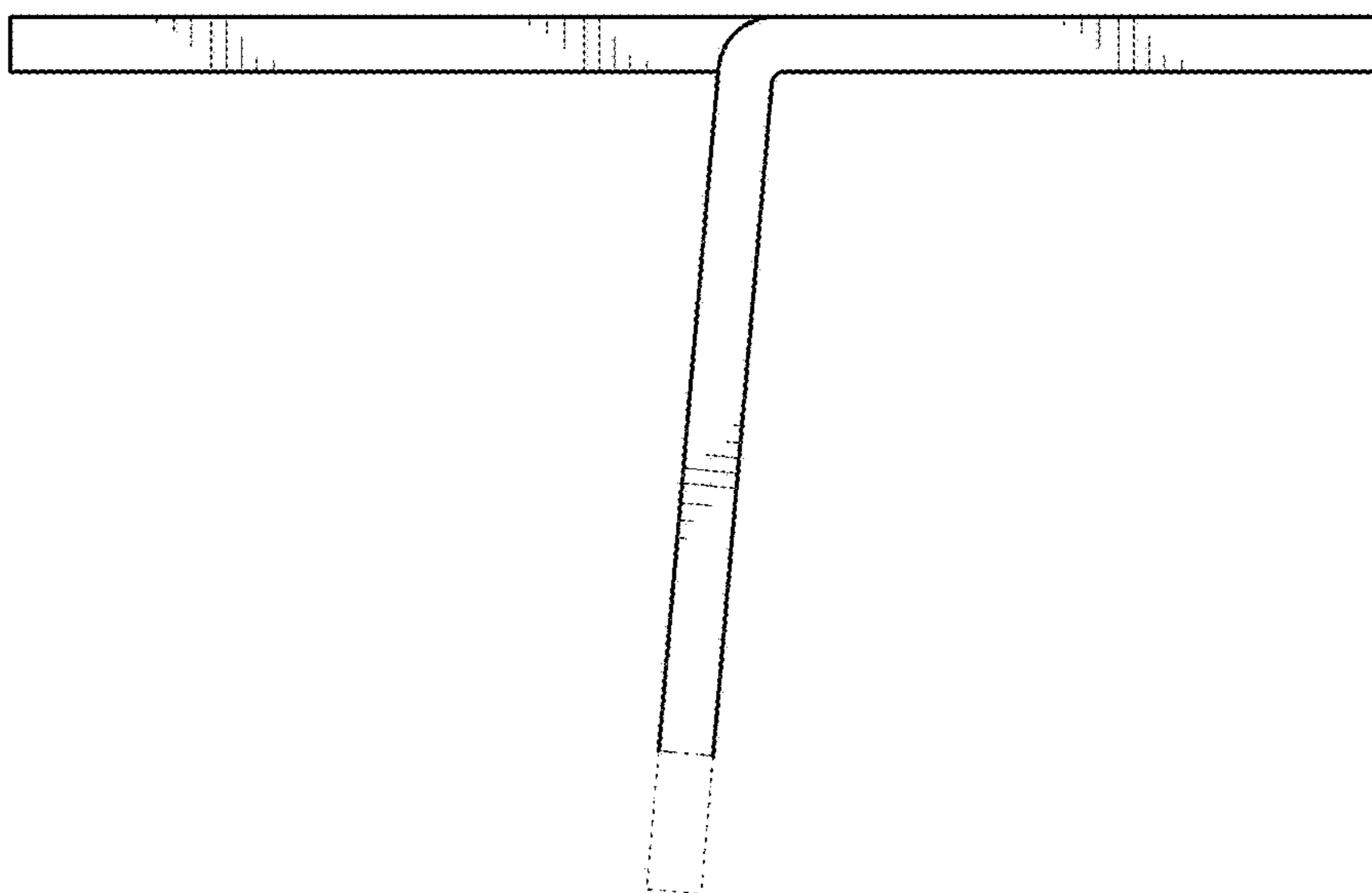


**FIG. 7**

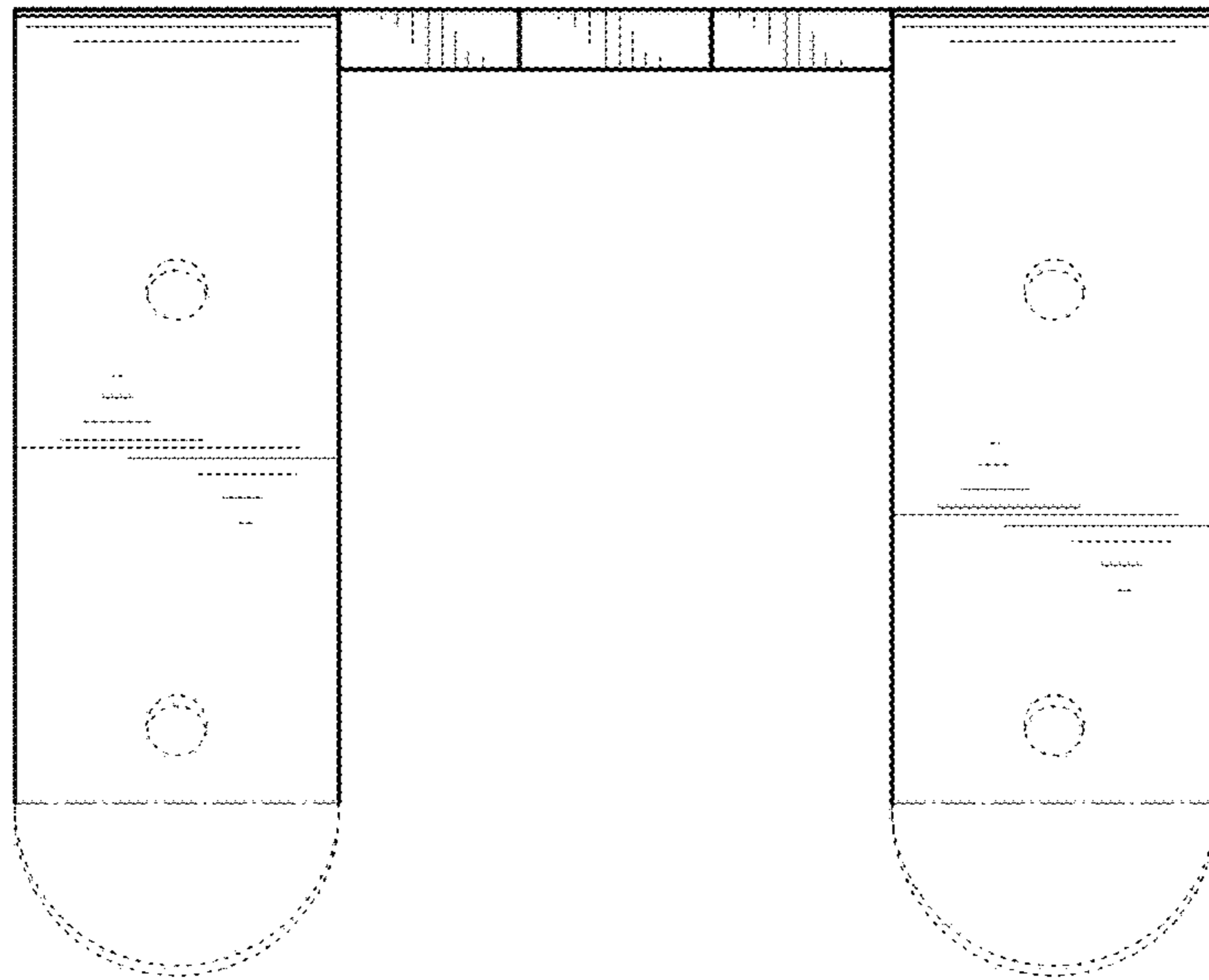




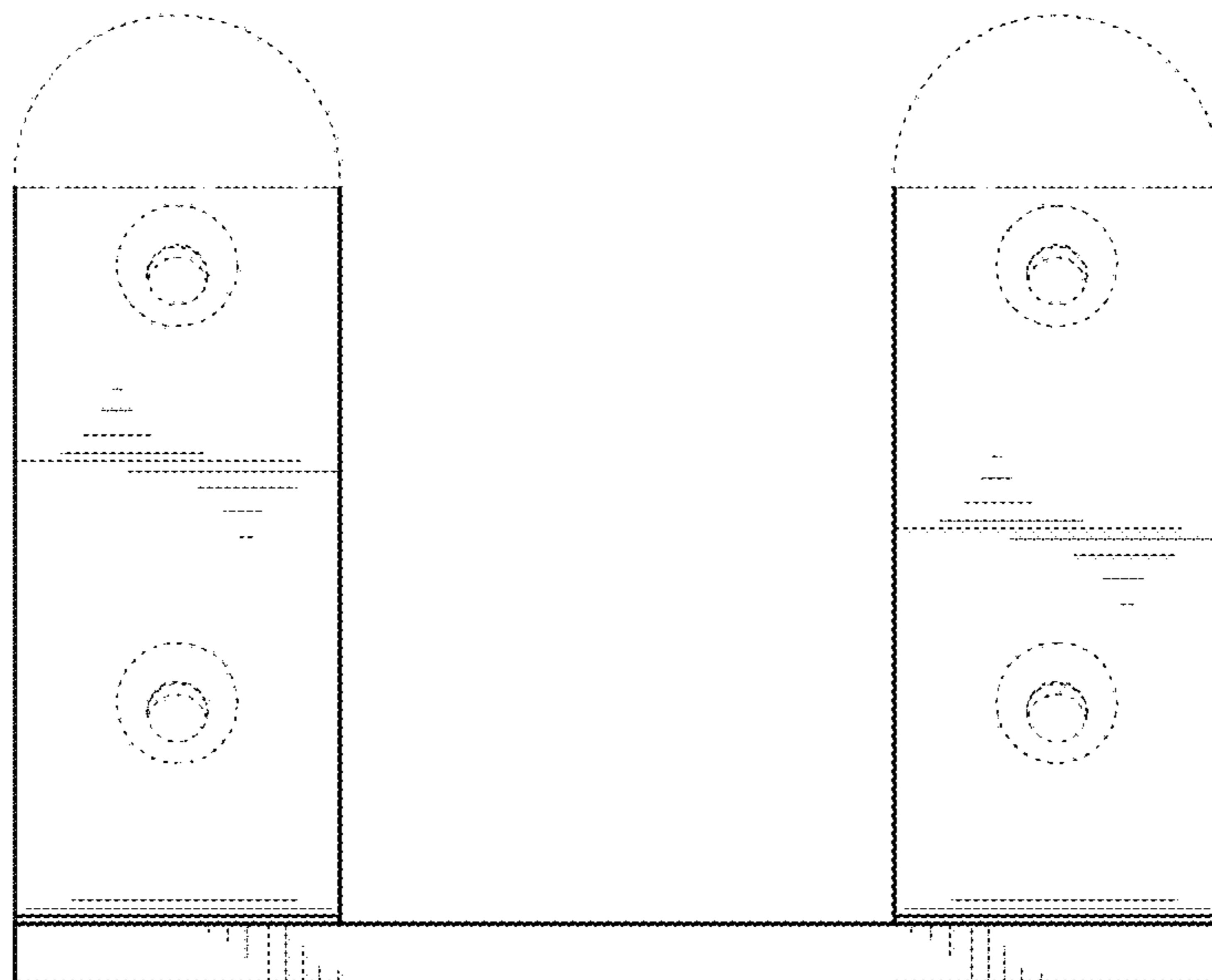
**FIG. 8**



**FIG. 9**



**FIG. 10**



**FIG. 11**