

US00D861467S

(12) **United States Design Patent**
Woolman et al.

(10) **Patent No.:** **US D861,467 S**

(45) **Date of Patent:** **** Oct. 1, 2019**

- (54) **HOOK**
- (71) Applicant: **FLINT GROUP IP HOLDINGS LIMITED**, London (GB)
- (72) Inventors: **Daniel Woolman**, London (GB); **Stuart Woolman**, Charlotte, NC (US)
- (73) Assignee: **FLINT GROUP IP HOLDINGS LIMITED**, London (GB)

D668,936 S *	10/2012	Wyatt	D8/367
D671,816 S *	12/2012	Stone	D8/349
D700,502 S *	3/2014	Smith	D8/349
D700,831 S *	3/2014	Ng	D8/380
D700,833 S *	3/2014	Ng	D8/380
D821,184 S *	6/2018	Berger	D8/367
D831,474 S *	10/2018	Littrell	D8/382
D833,262 S *	11/2018	Royak	D8/373
2007/0245679 A1 *	10/2007	Conville	E04B 2/7457 52/712
2009/0178358 A1 *	7/2009	Boyd	E04B 9/02 52/489.2

(**) Term: **15 Years**

* cited by examiner

(21) Appl. No.: **29/640,515**

Primary Examiner — Cynthia R Underwood

(22) Filed: **Mar. 15, 2018**

(74) *Attorney, Agent, or Firm* — Benesch, Friedlander, Coplan & Aronoff LLP

(51) **LOC (12) Cl.** **08-05**

(57) **CLAIM**

(52) **U.S. Cl.**
USPC **D8/367**

The ornamental designs for a hook, as shown and described.

(58) **Field of Classification Search**
USPC D8/367, 354, 18, 105, 356, 394;
D11/208, 218; 248/341
CPC F16M 13/02; A44B 13/0029; A45F 5/021;
A45F 5/02; F16B 45/00
See application file for complete search history.

DESCRIPTION

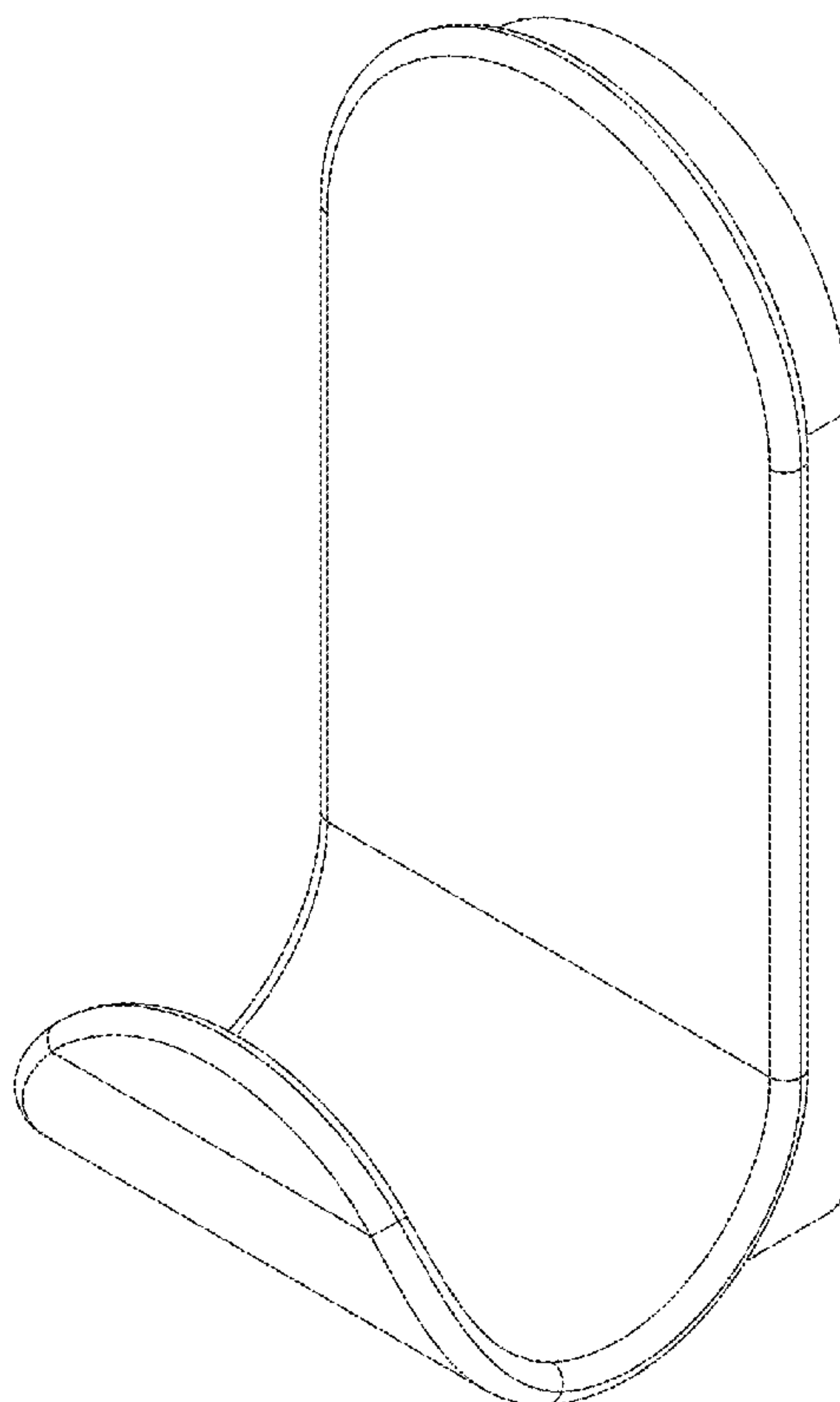
FIG. 1 is a front perspective view of a hook having the claimed design for a hook.
FIG. 2 is a rear perspective view of the hook.
FIG. 3 is a front elevational view of the hook.
FIG. 4 is a rear elevational view of the hook.
FIG. 5 is a side view of the hook.
FIG. 6 is a side view opposite the side view of FIG. 5.
FIG. 7 is a top view of the hook; and,
FIG. 8 is a bottom view of the hook.

(56) **References Cited**

U.S. PATENT DOCUMENTS

D553,969 S *	10/2007	Allsopp	D8/394
D603,688 S *	11/2009	Chiu	D8/367

1 Claim, 2 Drawing Sheets



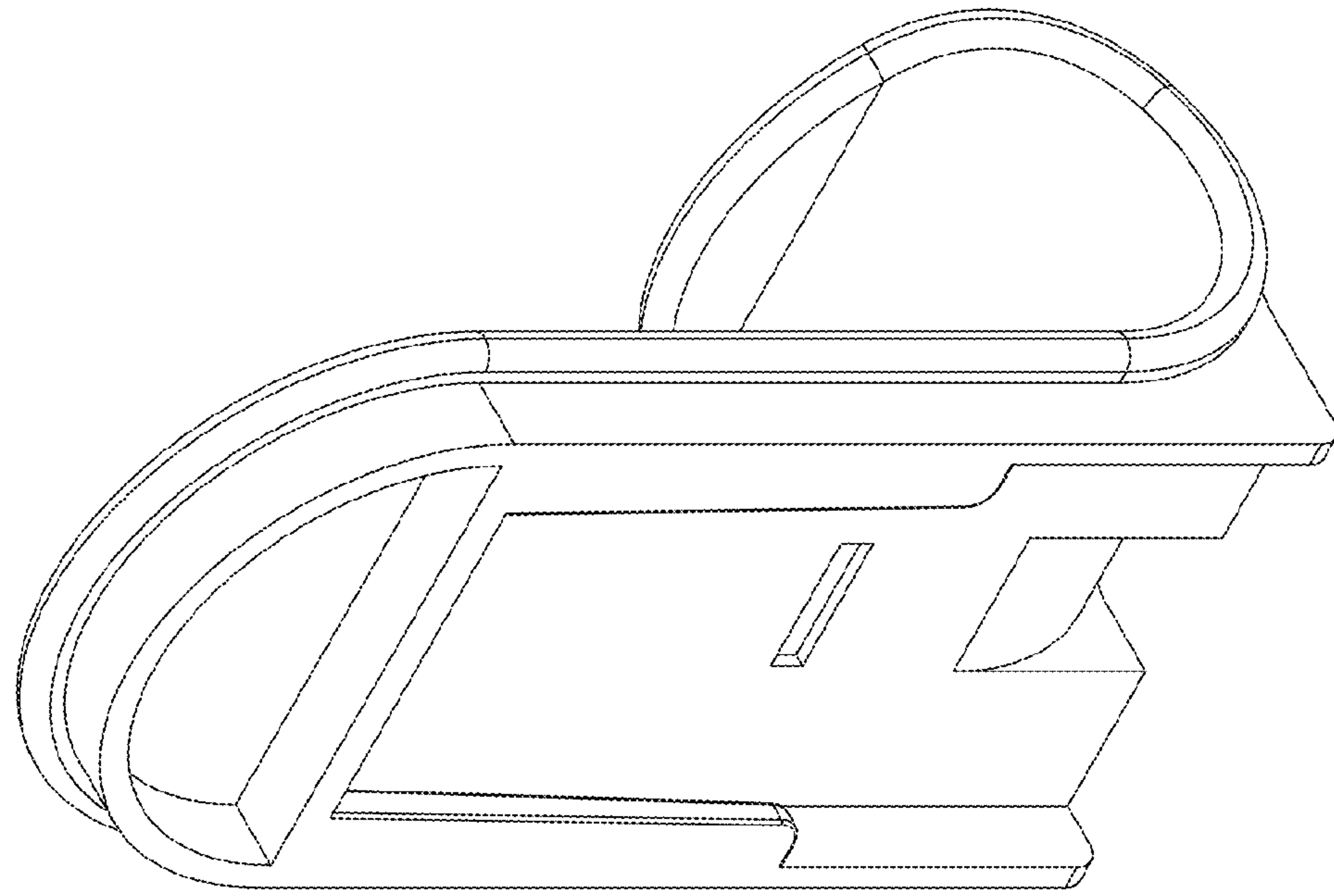


Fig. 2

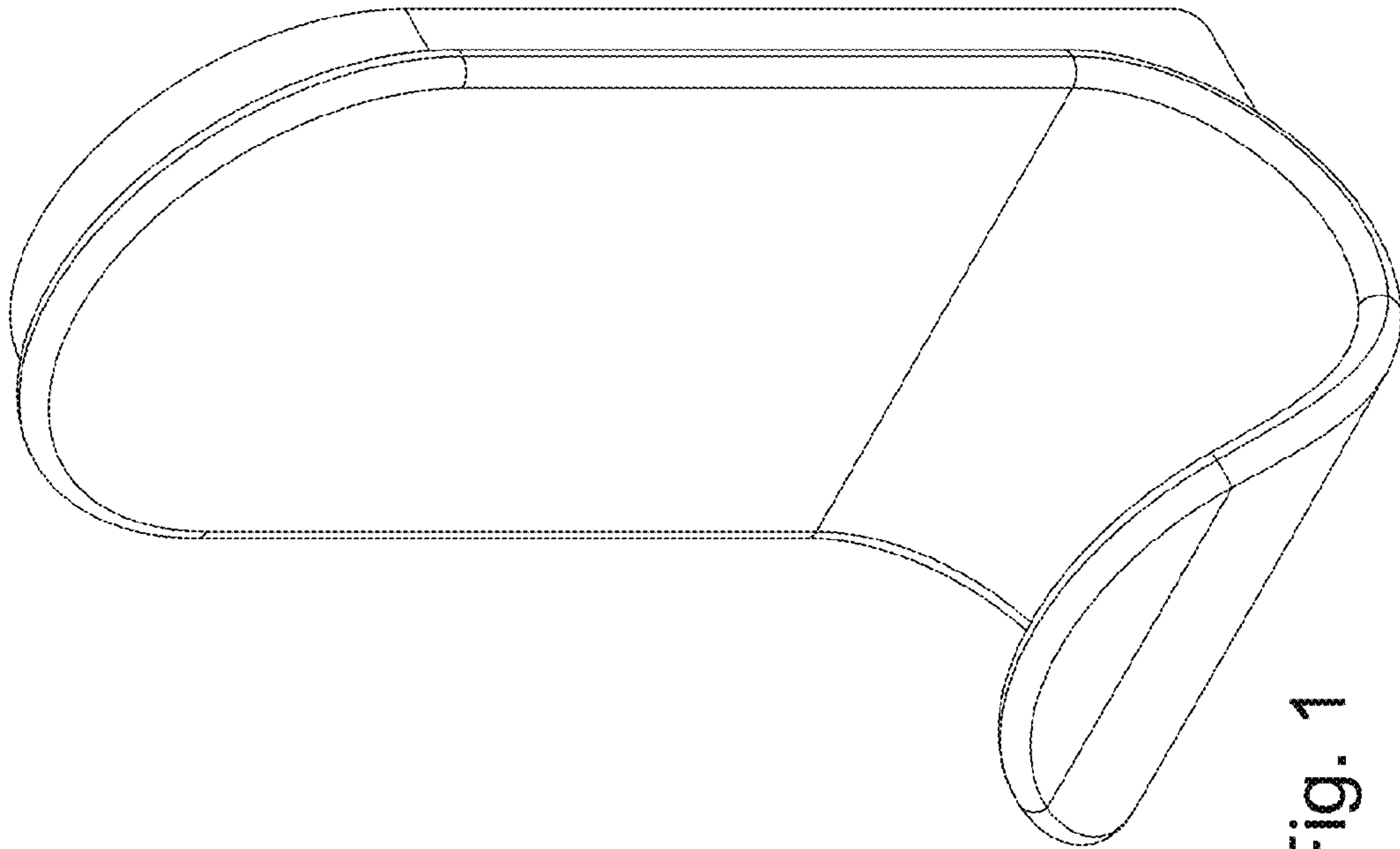


Fig. 1

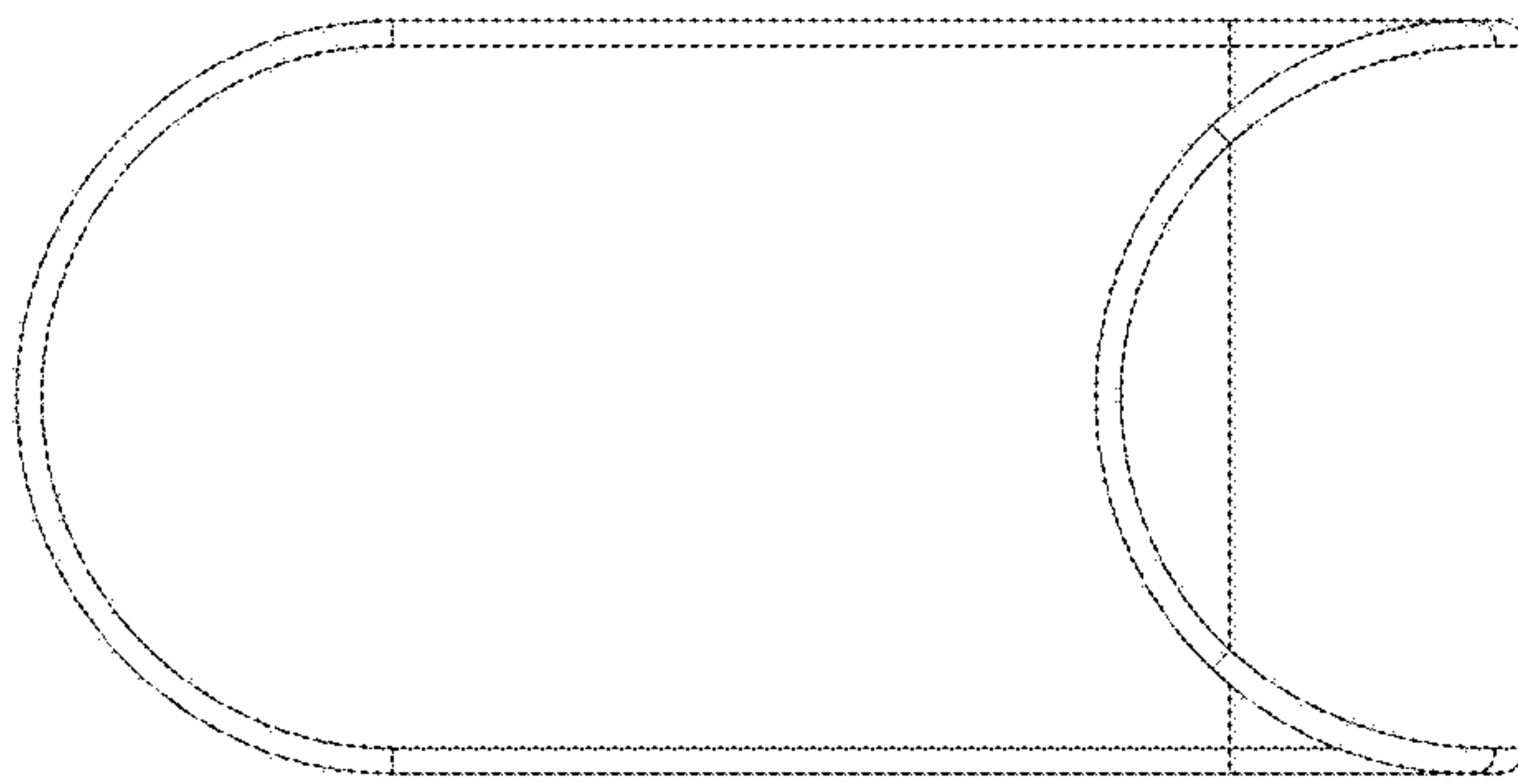


Fig. 3

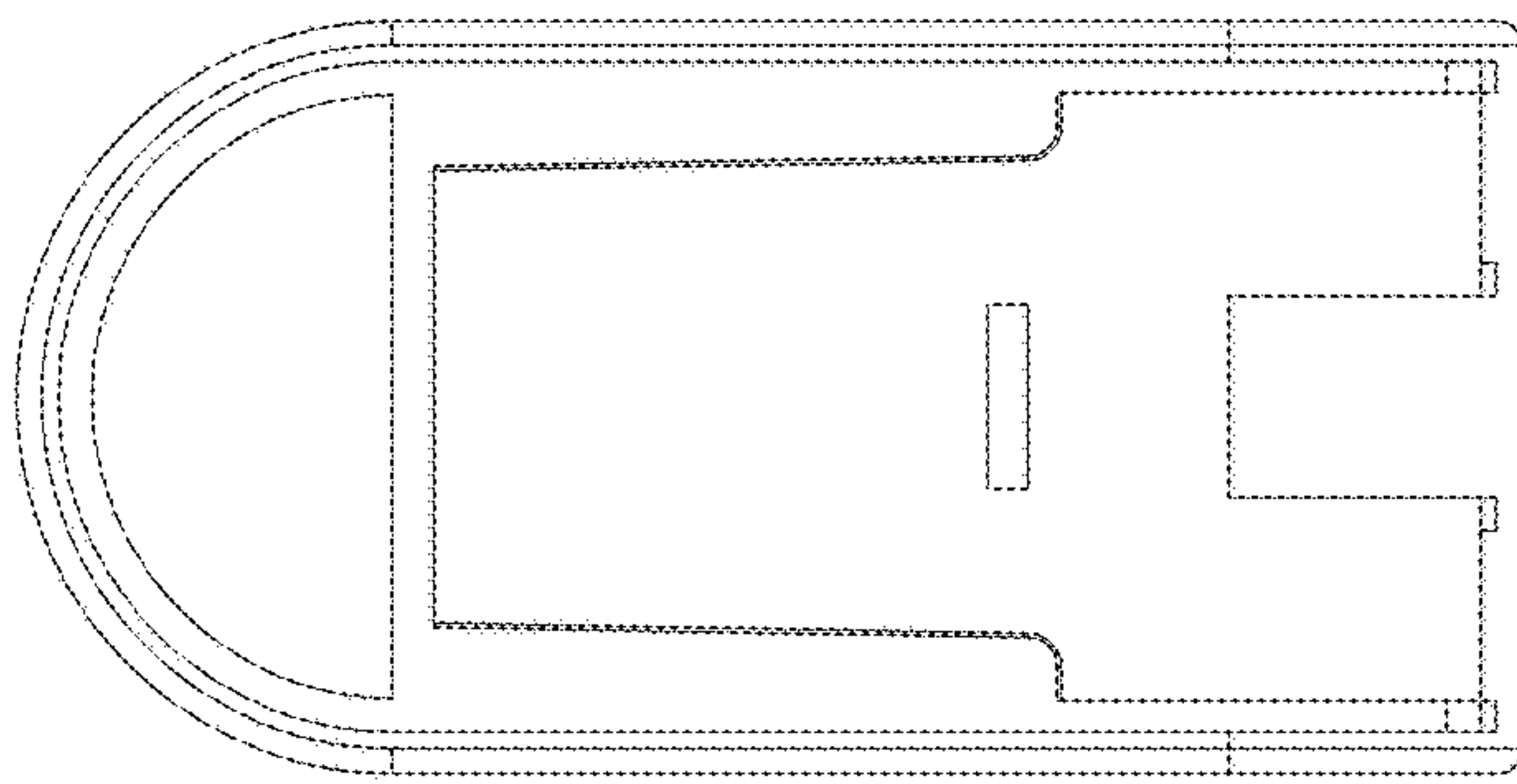


Fig. 4

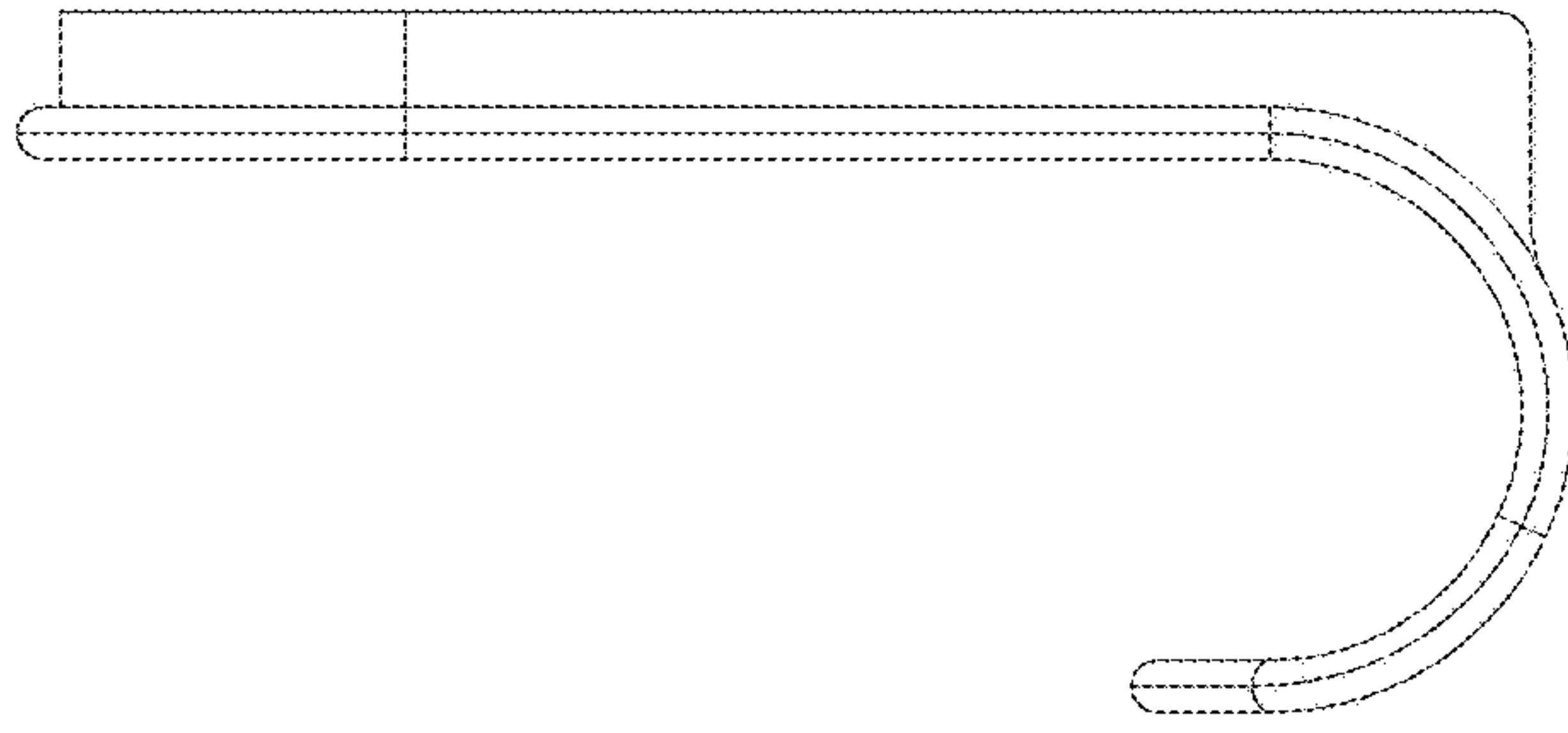


Fig. 5

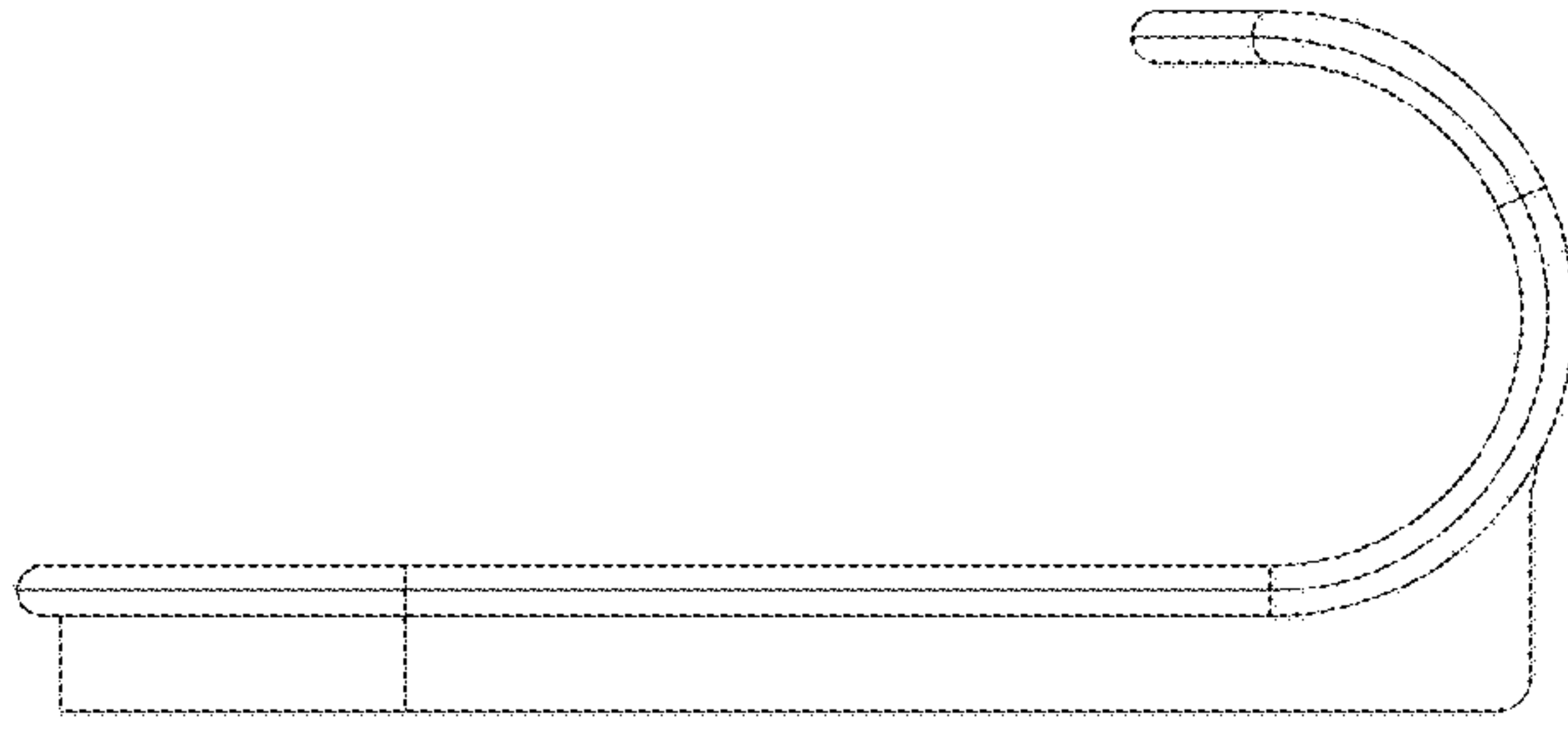


Fig. 6

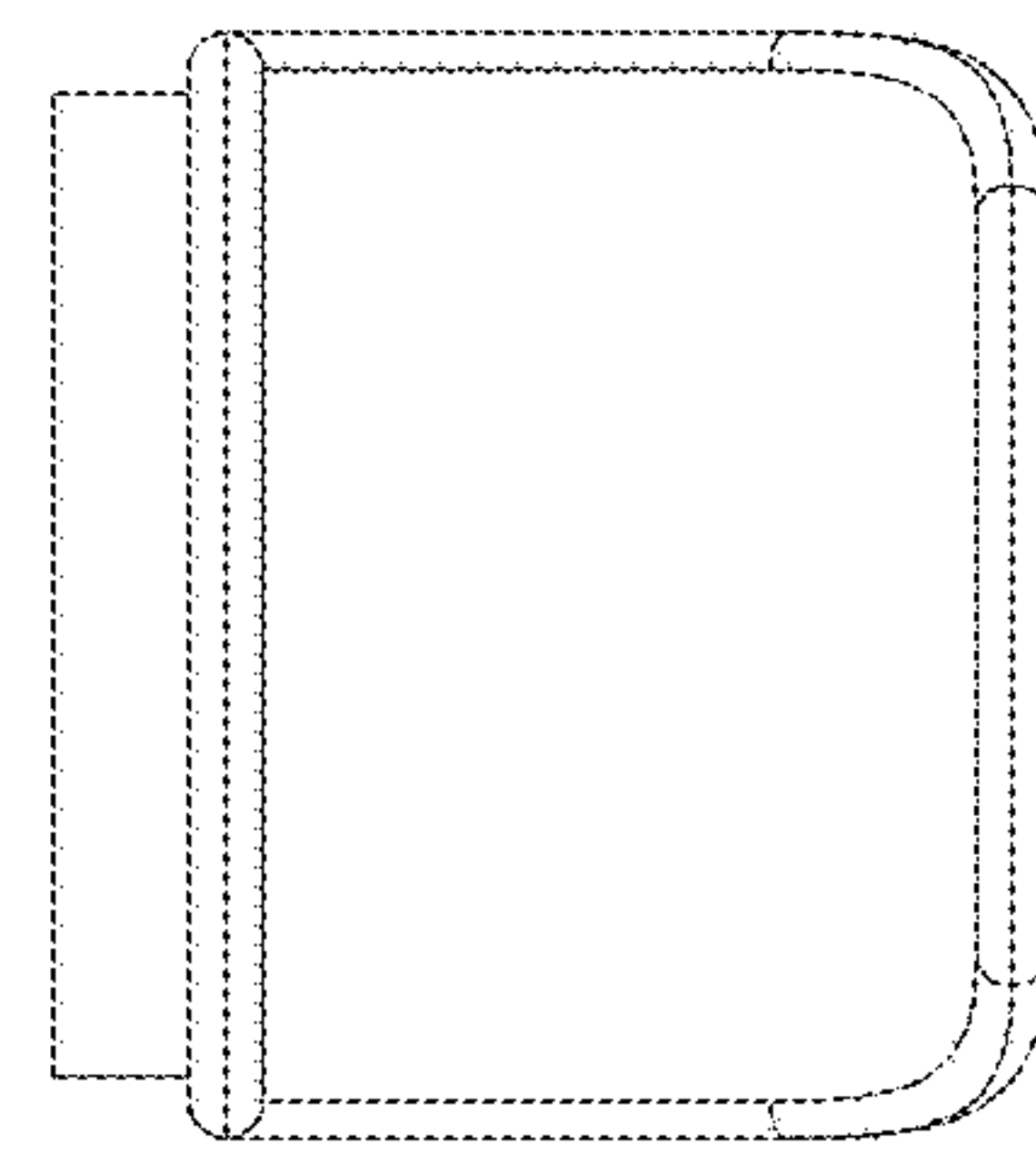


Fig. 7

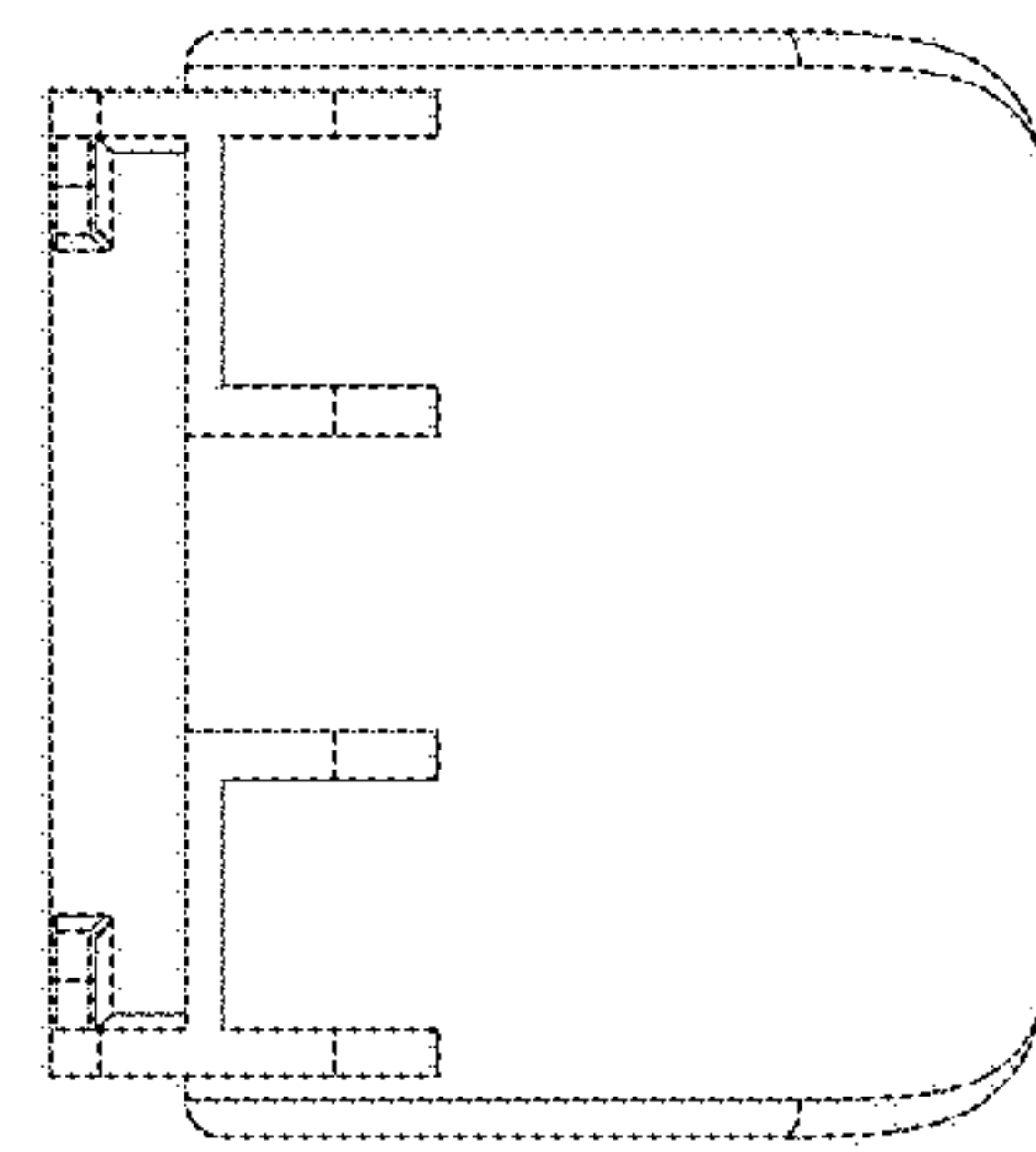


Fig. 8