

US00D861466S

(12) **United States Design Patent**
Swisher

(10) **Patent No.:** **US D861,466 S**

(45) **Date of Patent:** **** Oct. 1, 2019**

(54) **CONNECTOR**

(71) Applicant: **Nathan Swisher**, Marshal, MO (US)

(72) Inventor: **Nathan Swisher**, Marshal, MO (US)

(**) Term: **15 Years**

(21) Appl. No.: **29/644,321**

(22) Filed: **Apr. 17, 2018**

(51) **LOC (12) Cl.** **09-06**

(52) **U.S. Cl.**
USPC **D8/356**

(58) **Field of Classification Search**

USPC D13/101, 102, 103, 110, 118, 122, 133,
D13/146, 184, 199; D14/435.1, 483;
D8/349, 353, 382, 499, 383, 356, 394
CPC H02G 3/08; H02G 3/081; H02G 3/086;
H02G 3/14; F16G 11/00; F16G 11/02;
F16G 11/046; F16G 11/048; F16G
11/103; F16G 11/105; Y10T 24/39; Y10T
24/3713; Y10T 24/3971

See application file for complete search history.

(56) **References Cited**

U.S. PATENT DOCUMENTS

D361,749 S * 8/1995 Fukao D13/146
D633,376 S * 3/2011 Heath D8/383
D659,639 S * 5/2012 Saber D13/118

D687,698 S * 8/2013 Machijima D8/354
D731,296 S * 6/2015 Nelson D8/356
D745,458 S * 12/2015 Tobaruela D13/133
D765,600 S * 9/2016 Hoshikawa D13/133
D840,795 S * 2/2019 Tribbett B65D 63/08
D8/383

* cited by examiner

Primary Examiner — Derrick E Holland

(74) *Attorney, Agent, or Firm* — Intellectual Property
Center, LLC; Arthur K. Shaffer

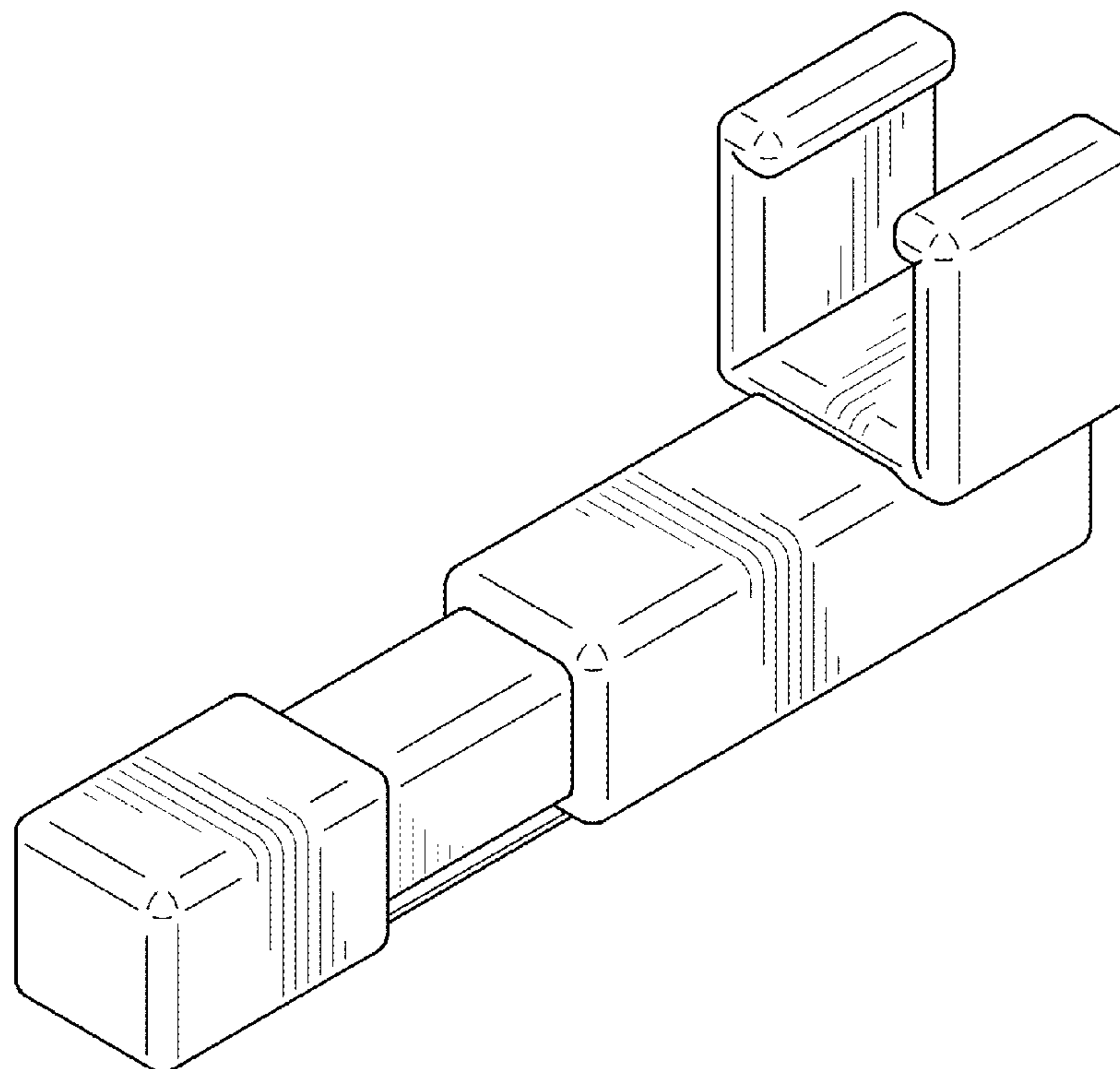
(57) **CLAIM**

The ornamental design for a connector, as shown and
described.

DESCRIPTION

FIG. 1 is a perspective view of a connector in accordance
with the present invention;
FIG. 2 is a left side perspective view of the connector of FIG.
1;
FIG. 3 is a right side perspective view of the connector of
FIG. 1;
FIG. 4 is a top plan view of the connector of FIG. 1;
FIG. 5 is a bottom plan view of the connector of FIG. 1;
FIG. 6 is a left side elevation of the connector of FIG. 1;
FIG. 7 is a right elevation of the connector of FIG. 1;
FIG. 8 is a front elevation of the connector of FIG. 1; and,
FIG. 9 is a rear elevation of the connector of FIG. 1.
The broken lines of FIG. 1 are for the purpose of illustrating
environmental structure and form no part of the claimed
design.

1 Claim, 4 Drawing Sheets



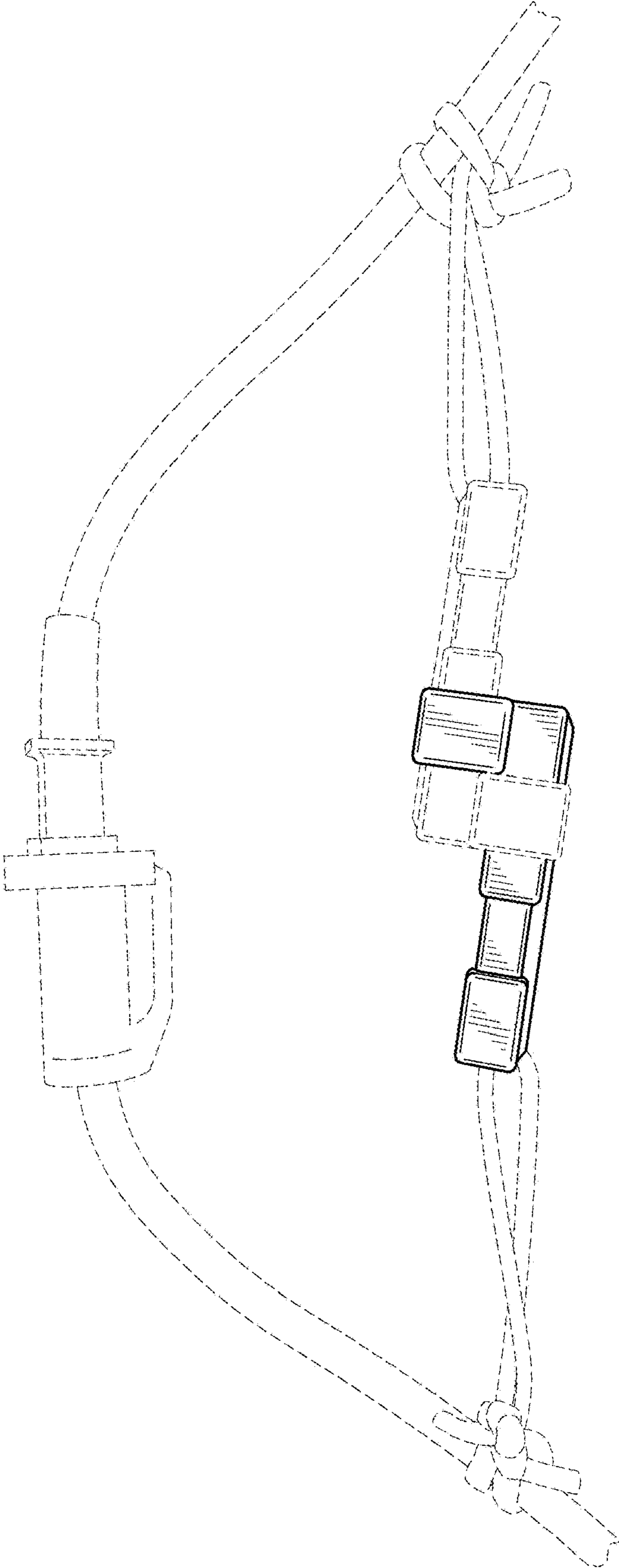


Fig. 1

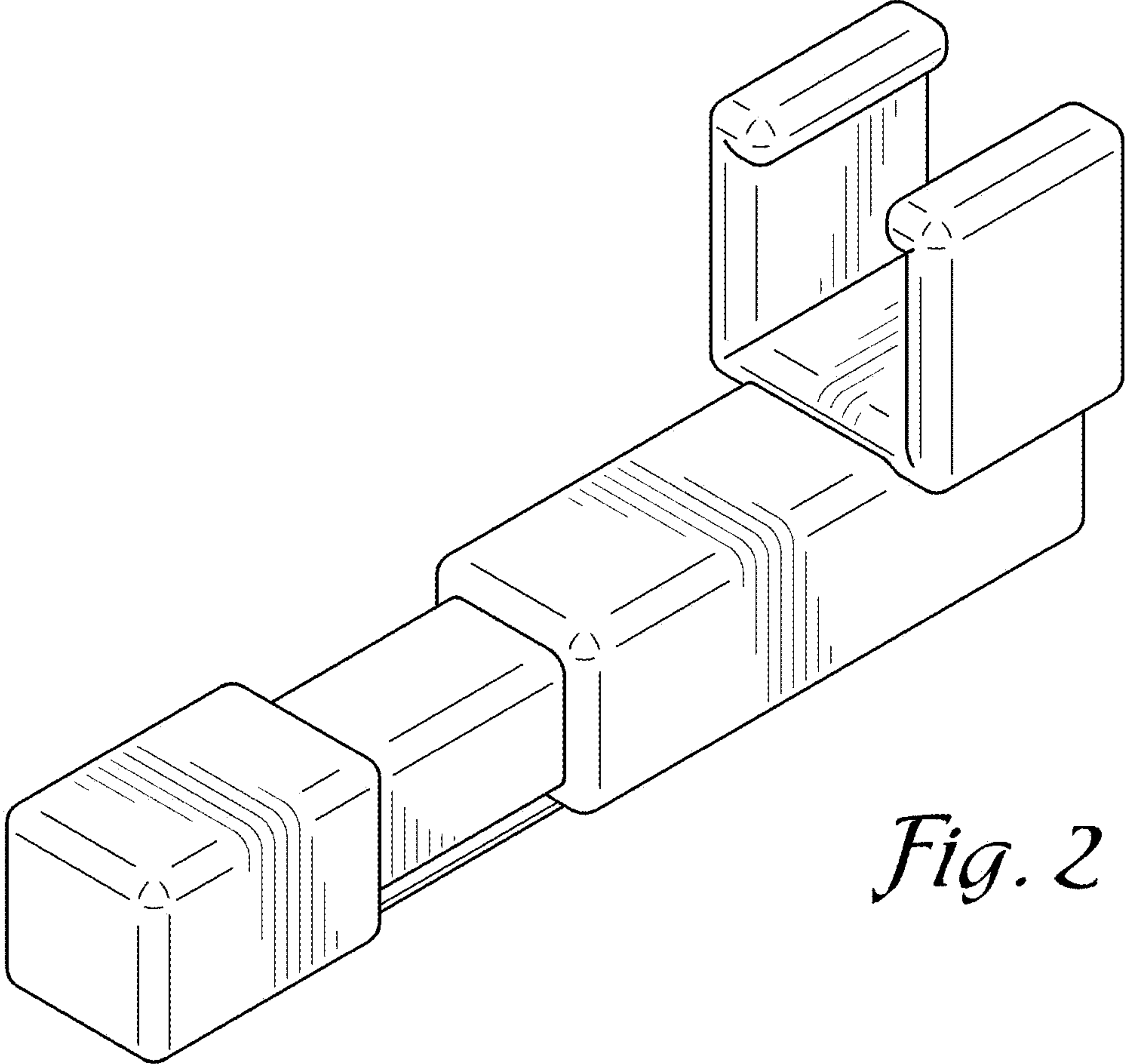


Fig. 2

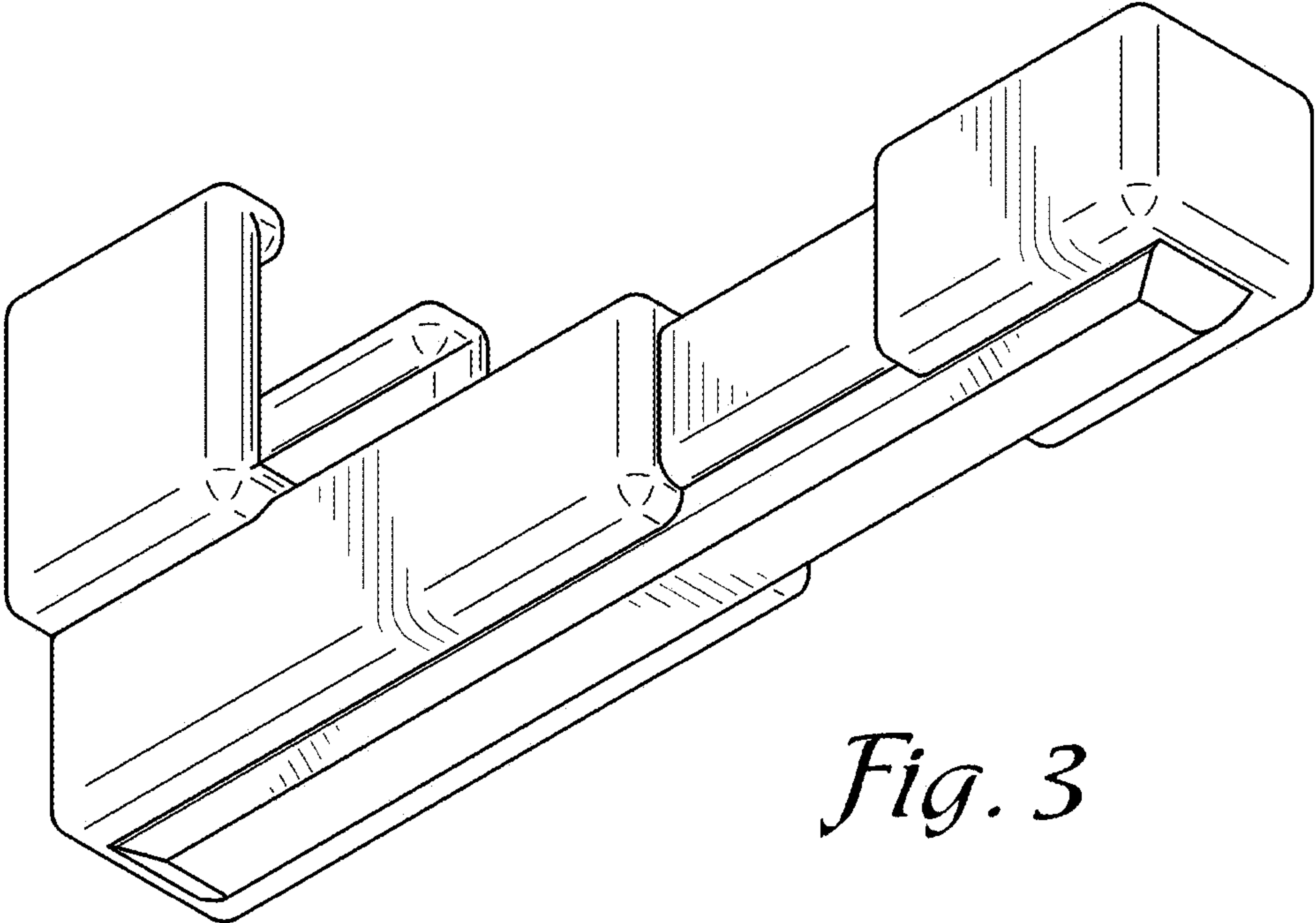


Fig. 3

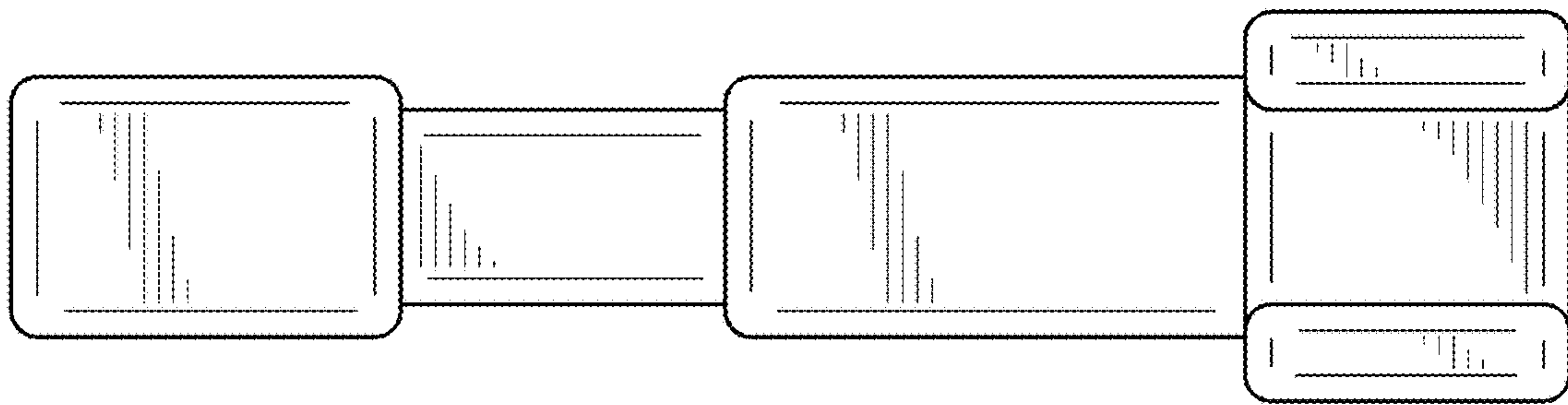


Fig. 4

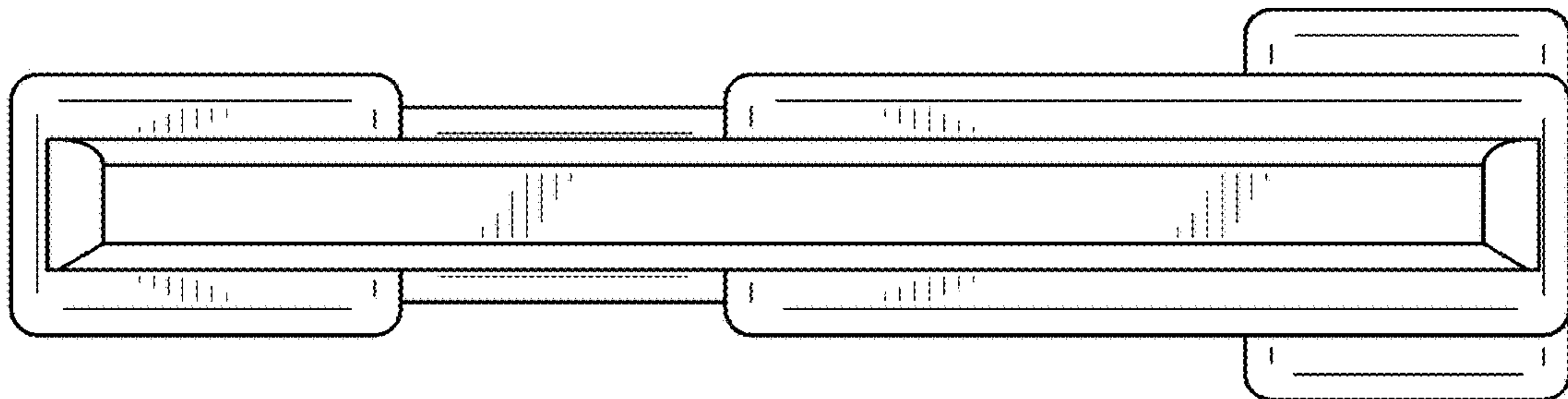


Fig. 5

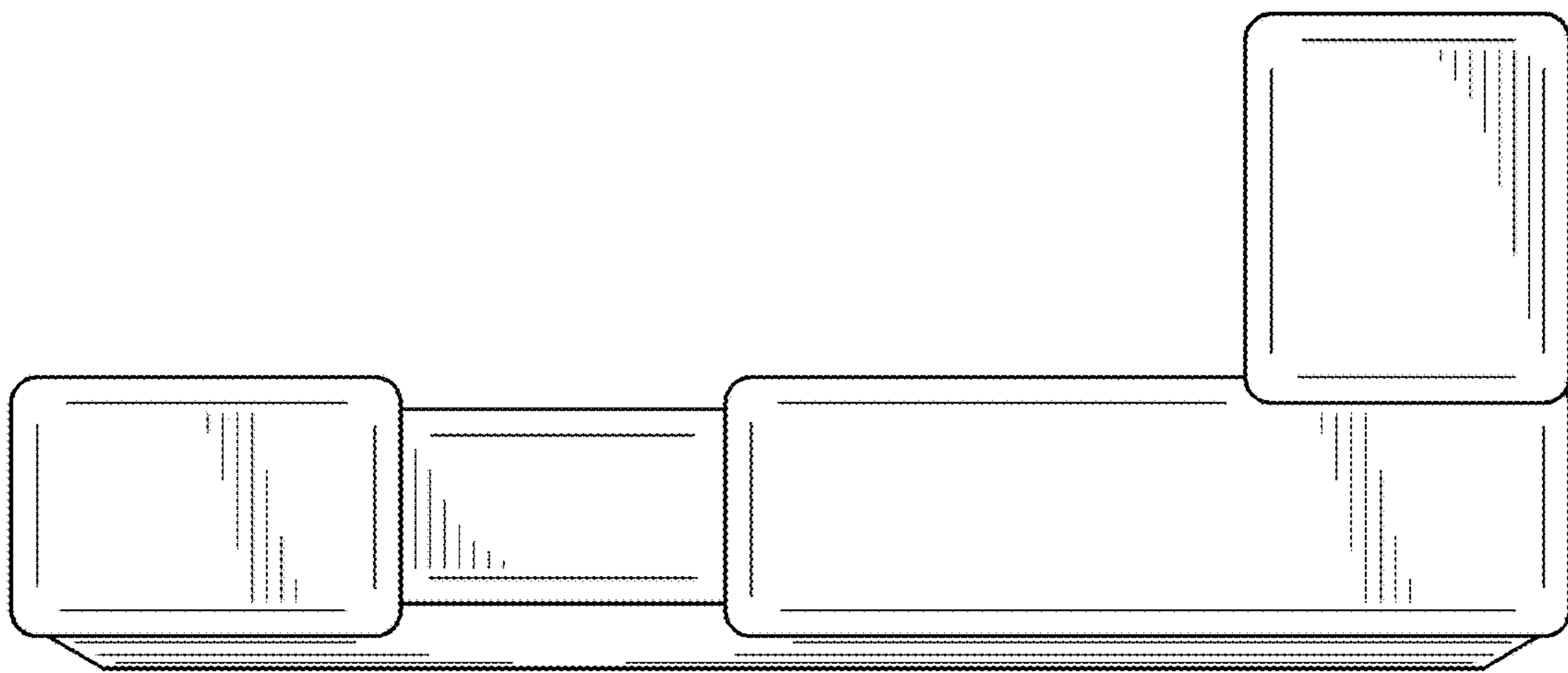


Fig. 6

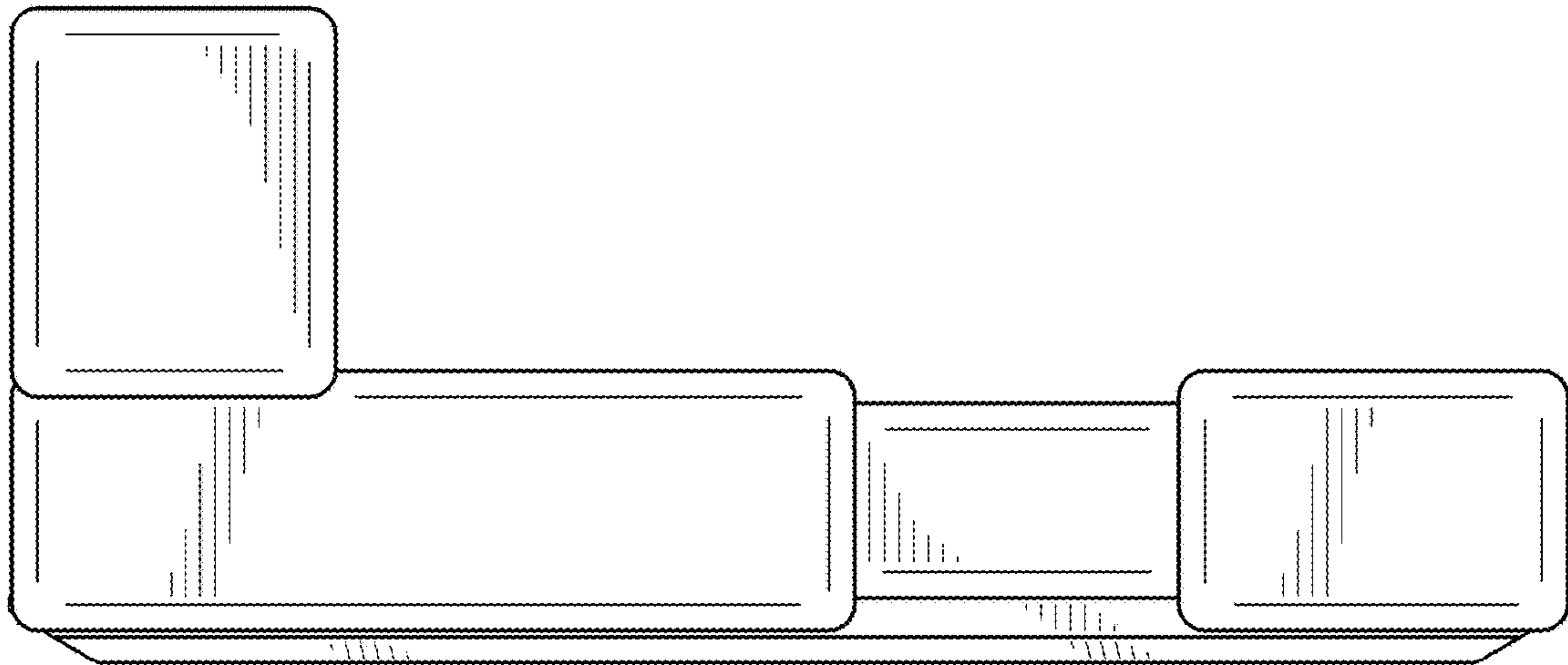


Fig. 7

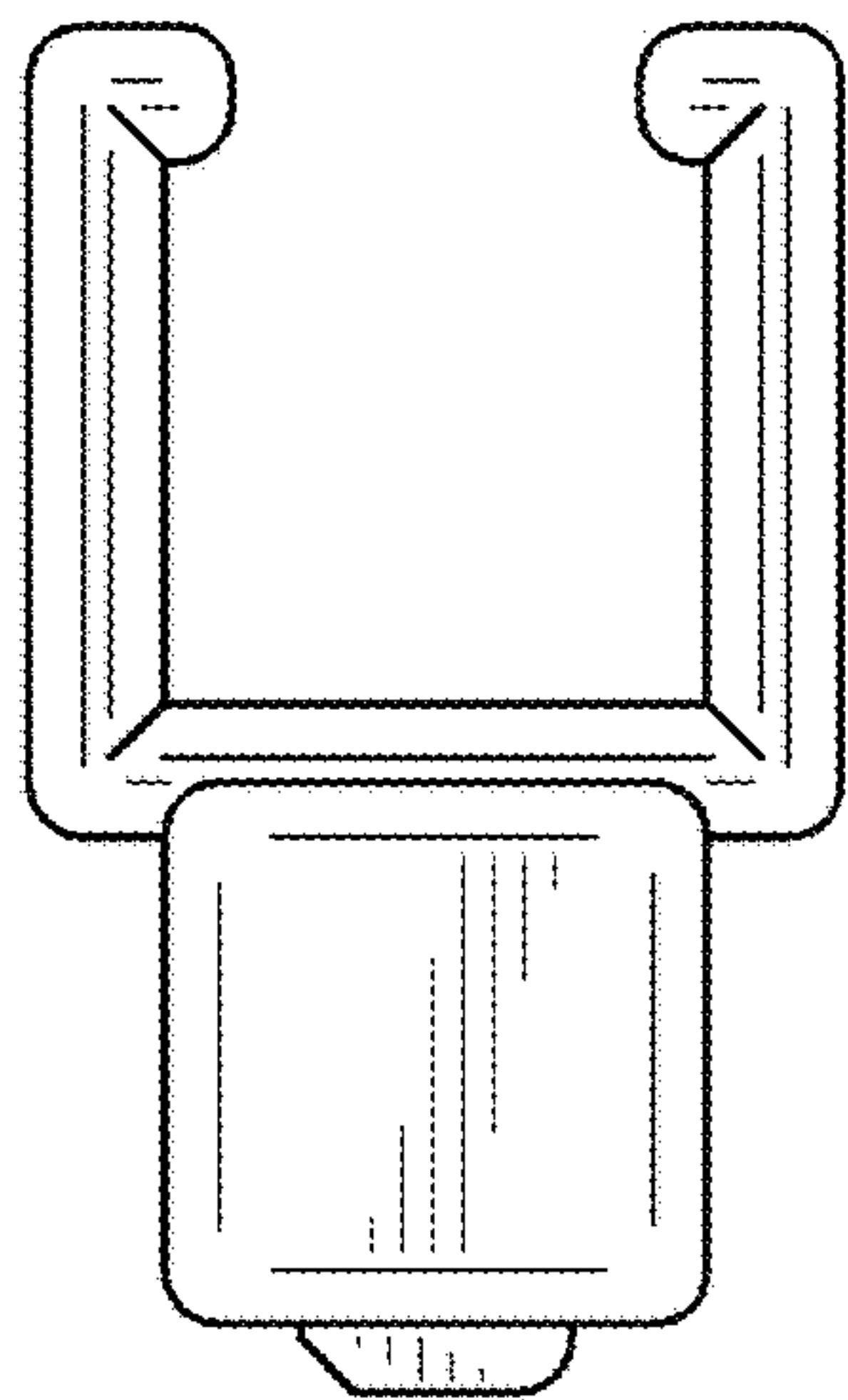


Fig. 8

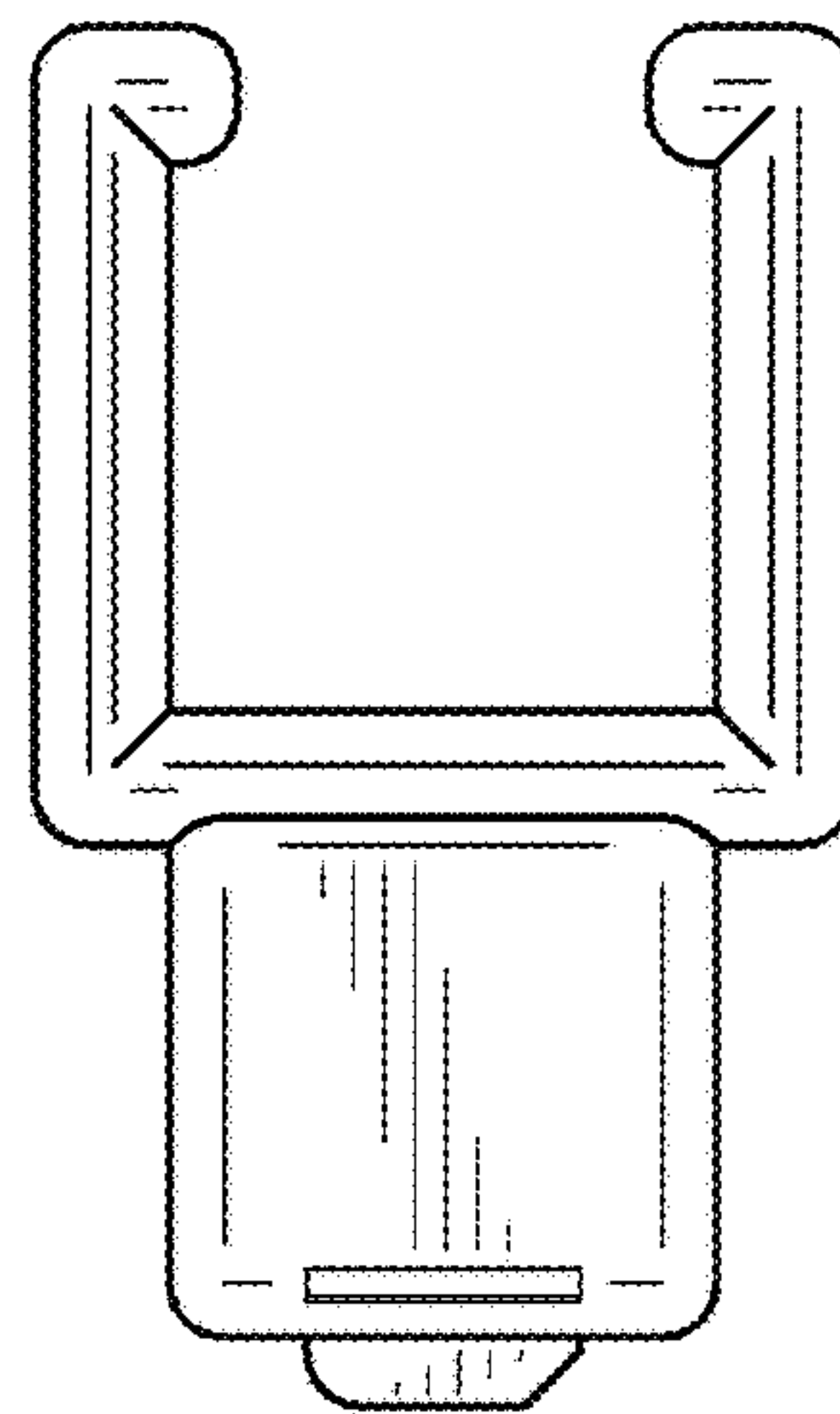


Fig. 9