



US00D861464S

(12) **United States Design Patent** (10) **Patent No.:** **US D861,464 S**  
**Eveland et al.** (45) **Date of Patent:** **\*\* Oct. 1, 2019**

(54) **BEARING PLATE**

(74) *Attorney, Agent, or Firm* — Socal IP Law Group  
LLP; Steven C. Sereboff; Nikki Dossman

(71) Applicant: **SunWize Power and Battery, LLC**,  
Philomath, OR (US)

(72) Inventors: **David Eveland**, Philomath, OR (US);  
**Travis Hise**, Albany, OR (US)

(57) **CLAIM**

The ornamental design for a bearing plate, as shown and described.

(73) Assignee: **SunWize Power and Battery, LLC**,  
Philomath, OR (US)

(\*\*) Term: **15 Years**

**DESCRIPTION**

(21) Appl. No.: **29/612,442**

A portion of the disclosure of this patent document contains material to which a claim for copyright is made. The copyright owner has no objection to the facsimile reproduction by anyone of the patent document or the patent disclosure, as it appears in the Patent and Trademark Office patent file or records, but reserves all other copyright rights whatsoever.

(22) Filed: **Aug. 1, 2017**

(51) **LOC (12) Cl.** ..... **08-05**

(52) **U.S. Cl.**  
USPC ..... **D8/354**

(58) **Field of Classification Search**  
USPC ..... D8/354, 349, 366, 382; D14/238, 224  
CPC ..... H02S 20/30; F24S 25/70; F24S 2025/014  
See application file for complete search history.

FIG. 1 is a top perspective view of a bearing plate;  
FIG. 2 is a front view thereof;  
FIG. 3 is a back view thereof;  
FIG. 4 is a left-side view thereof;  
FIG. 5 is a right-side view thereof;  
FIG. 6 is a top view thereof;  
FIG. 7 is a bottom view thereof;  
FIG. 8 is a top perspective view of an alternate embodiment of a bearing plate;  
FIG. 9 is a front view thereof;  
FIG. 10 is a back view thereof;  
FIG. 11 is a left-side view thereof;  
FIG. 12 is a right-side view thereof;  
FIG. 13 is a top view thereof; and,  
FIG. 14 is a bottom view thereof.

(56) **References Cited**

**U.S. PATENT DOCUMENTS**

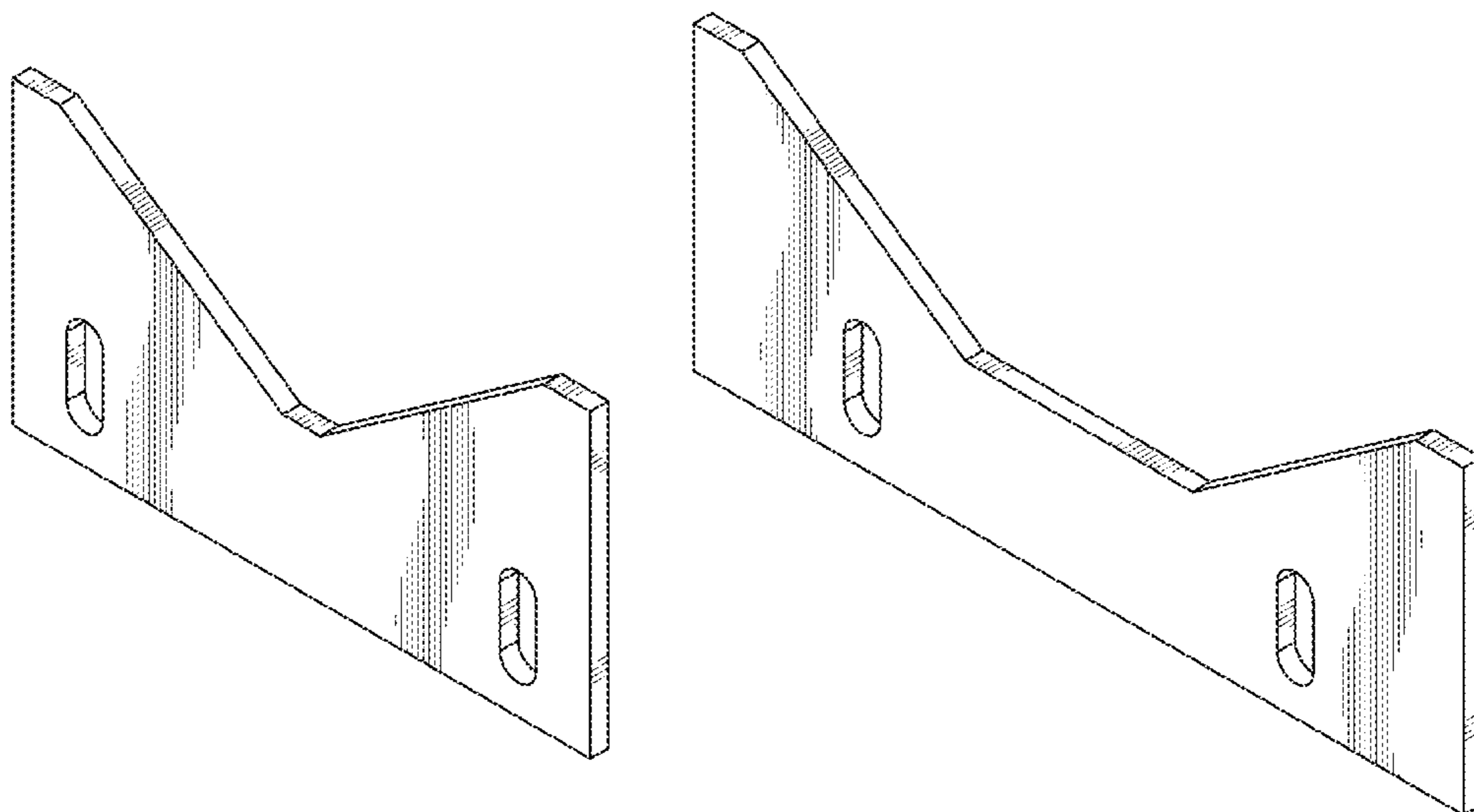
D434,304 S	*	11/2000	Willett	.....	D8/354
D434,639 S	*	12/2000	Willett	.....	D8/354
D442,471 S	*	5/2001	Willett	.....	D8/354
D483,651 S	*	12/2003	Sander	.....	D8/349
D684,147 S	*	6/2013	Stifal	.....	D14/239
D784,794 S	*	4/2017	Bently	.....	D8/354

\* cited by examiner

*Primary Examiner* — Janice Hallmark

*Assistant Examiner* — Harold E Blackwell, II

**1 Claim, 4 Drawing Sheets**



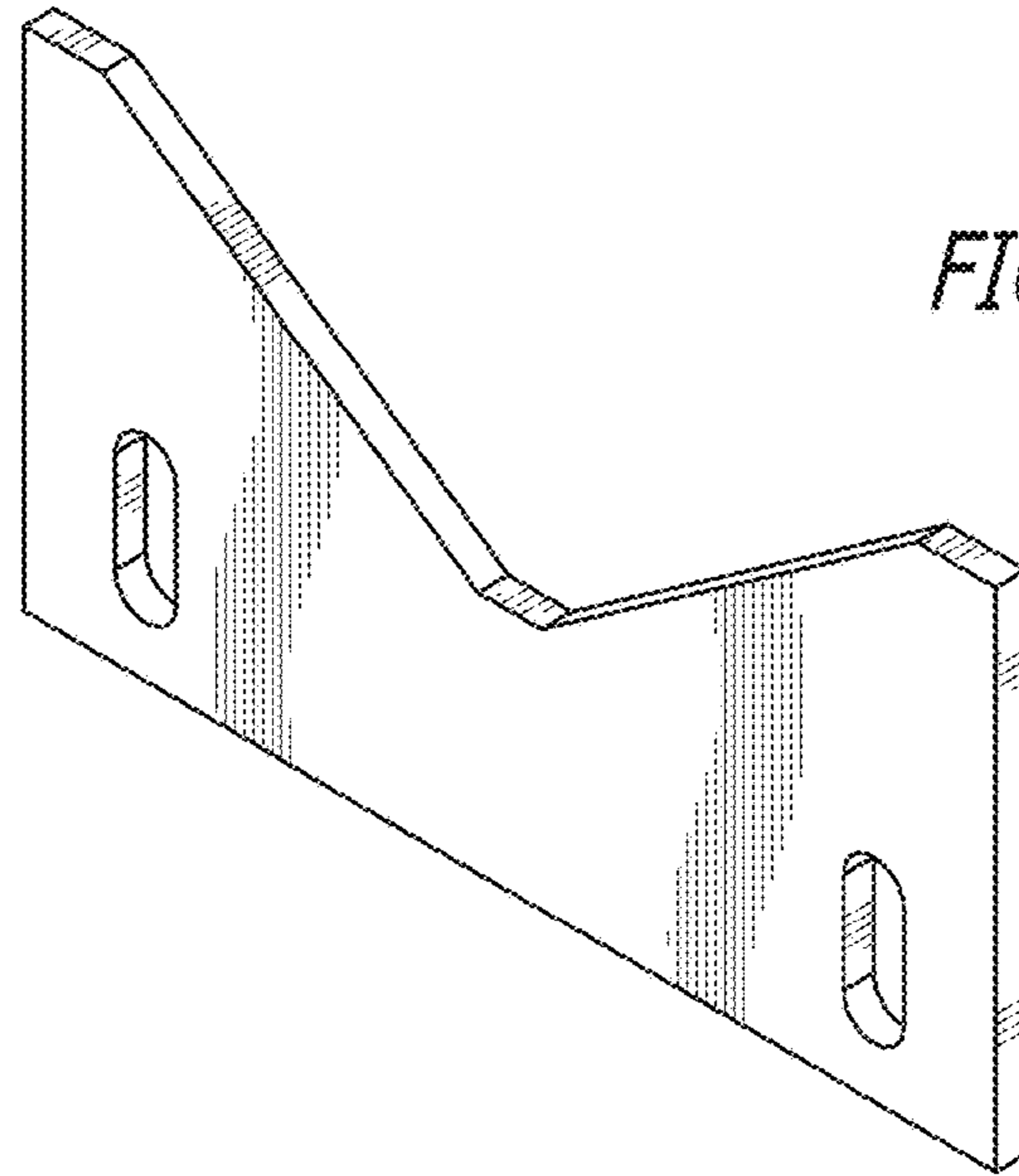


FIG. 1

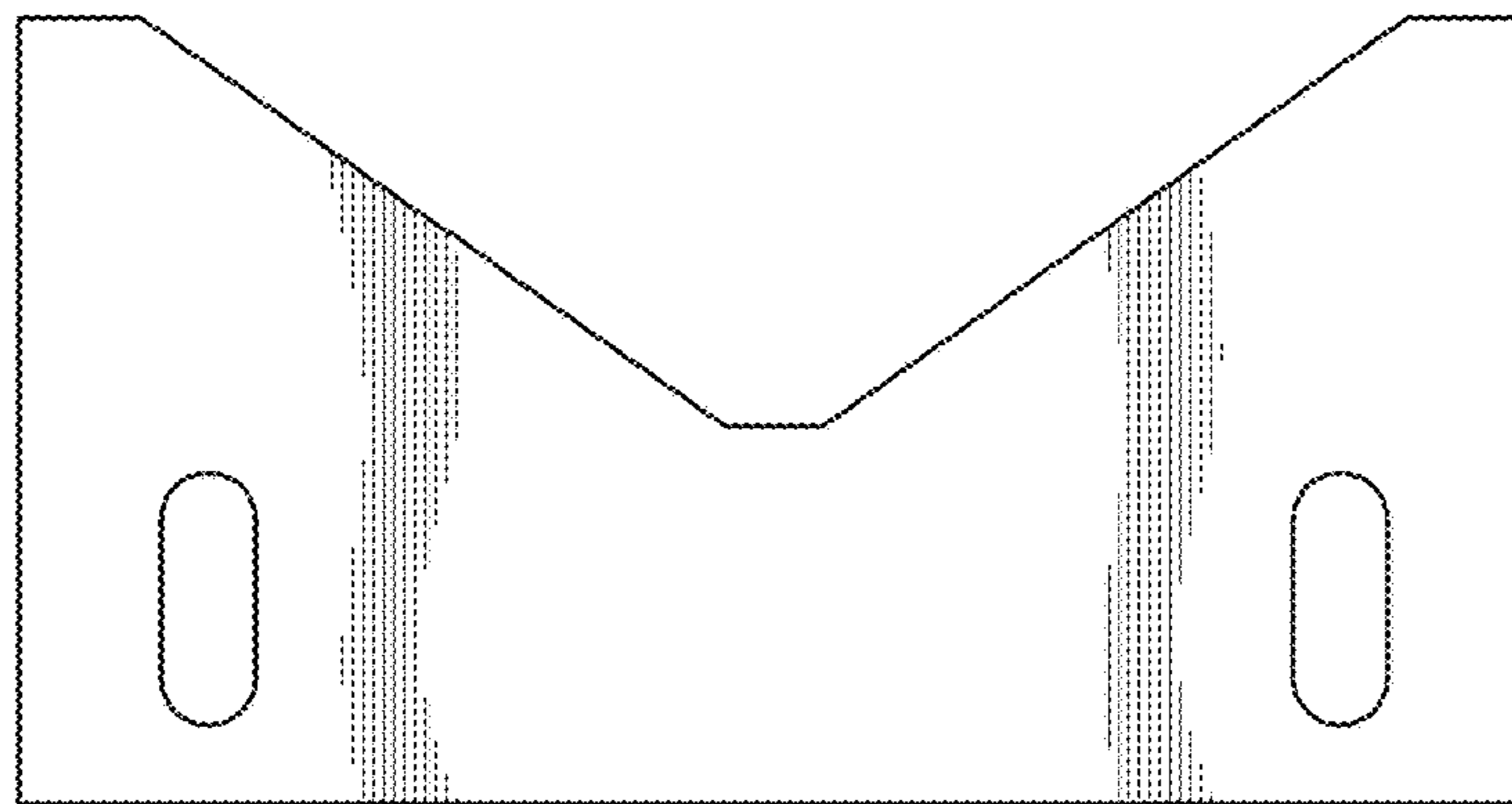
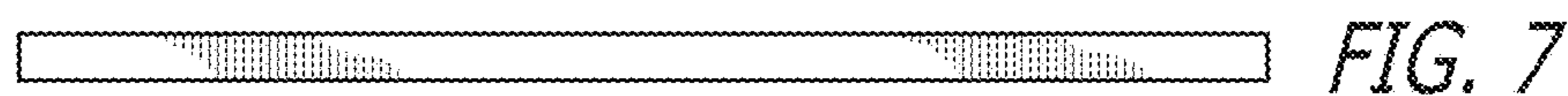
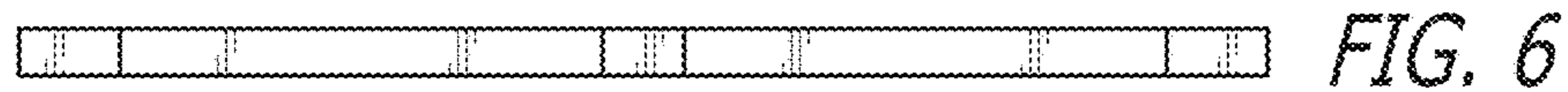
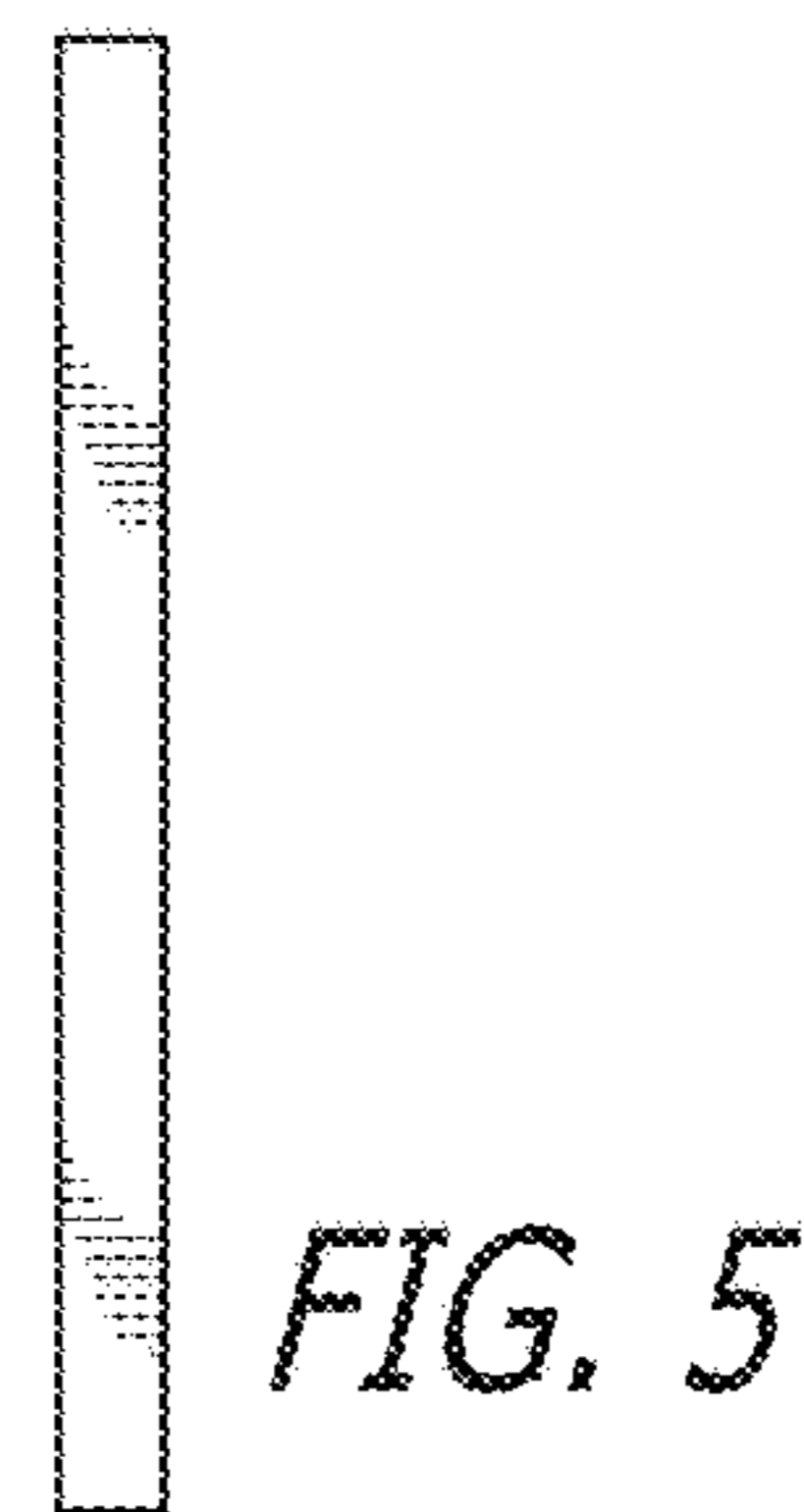
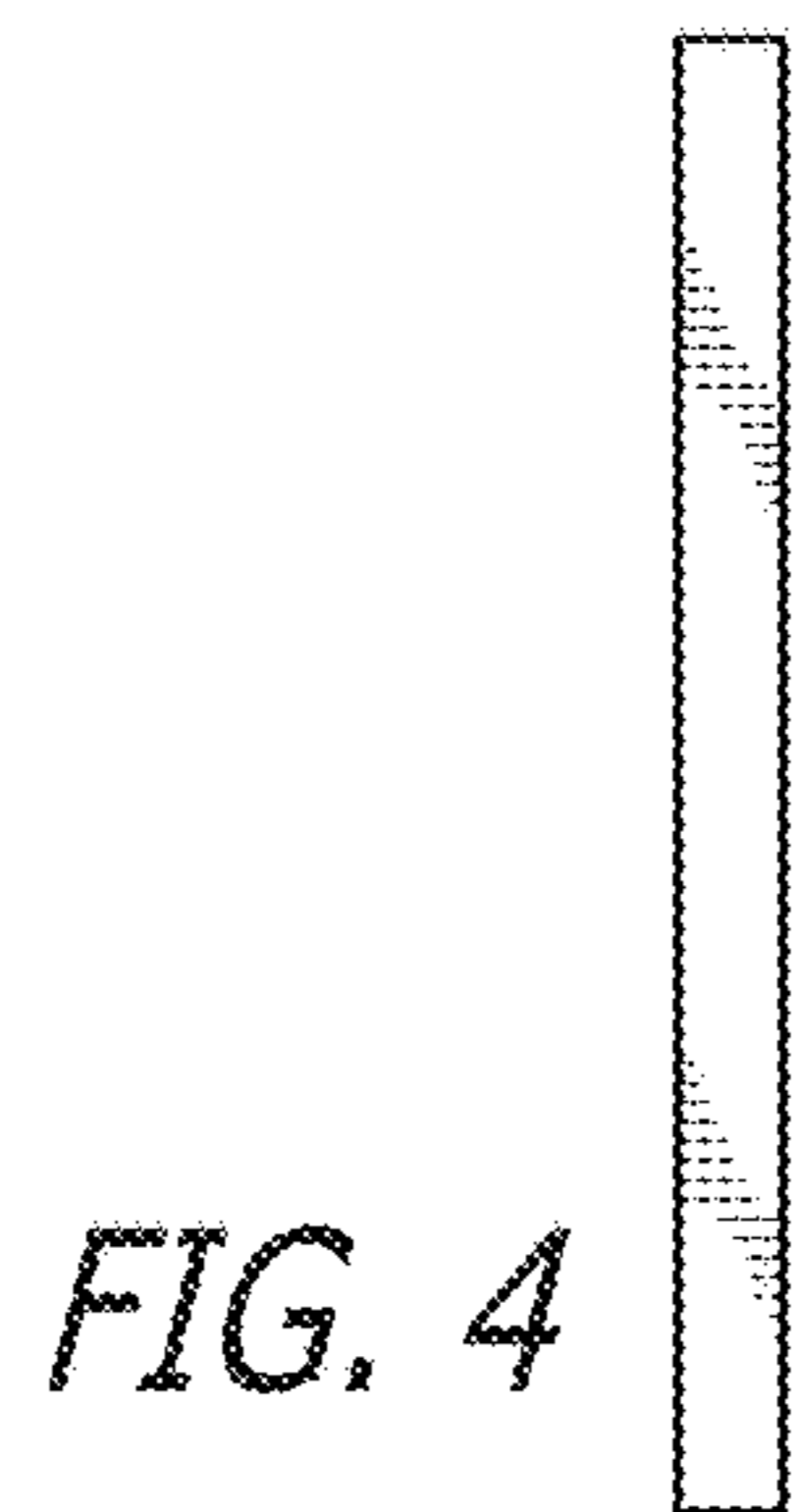
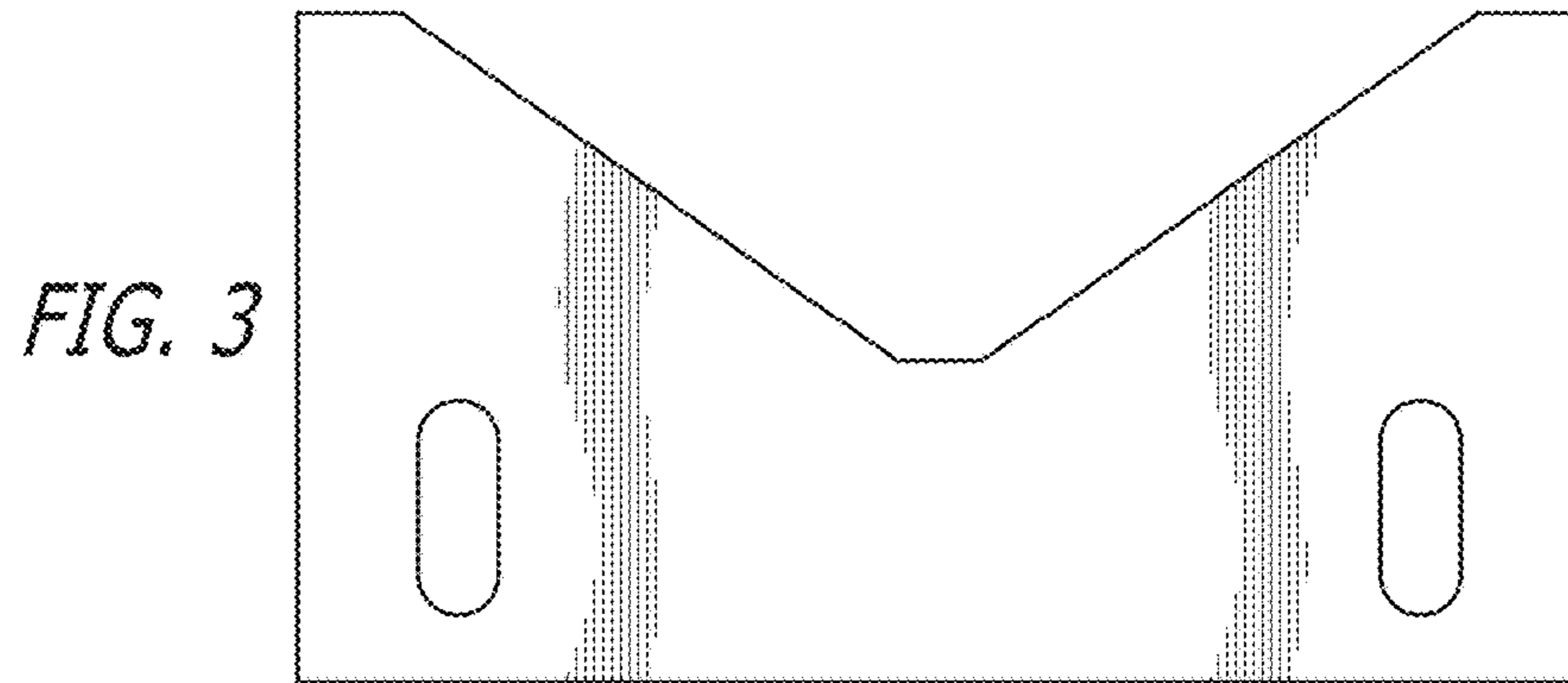


FIG. 2



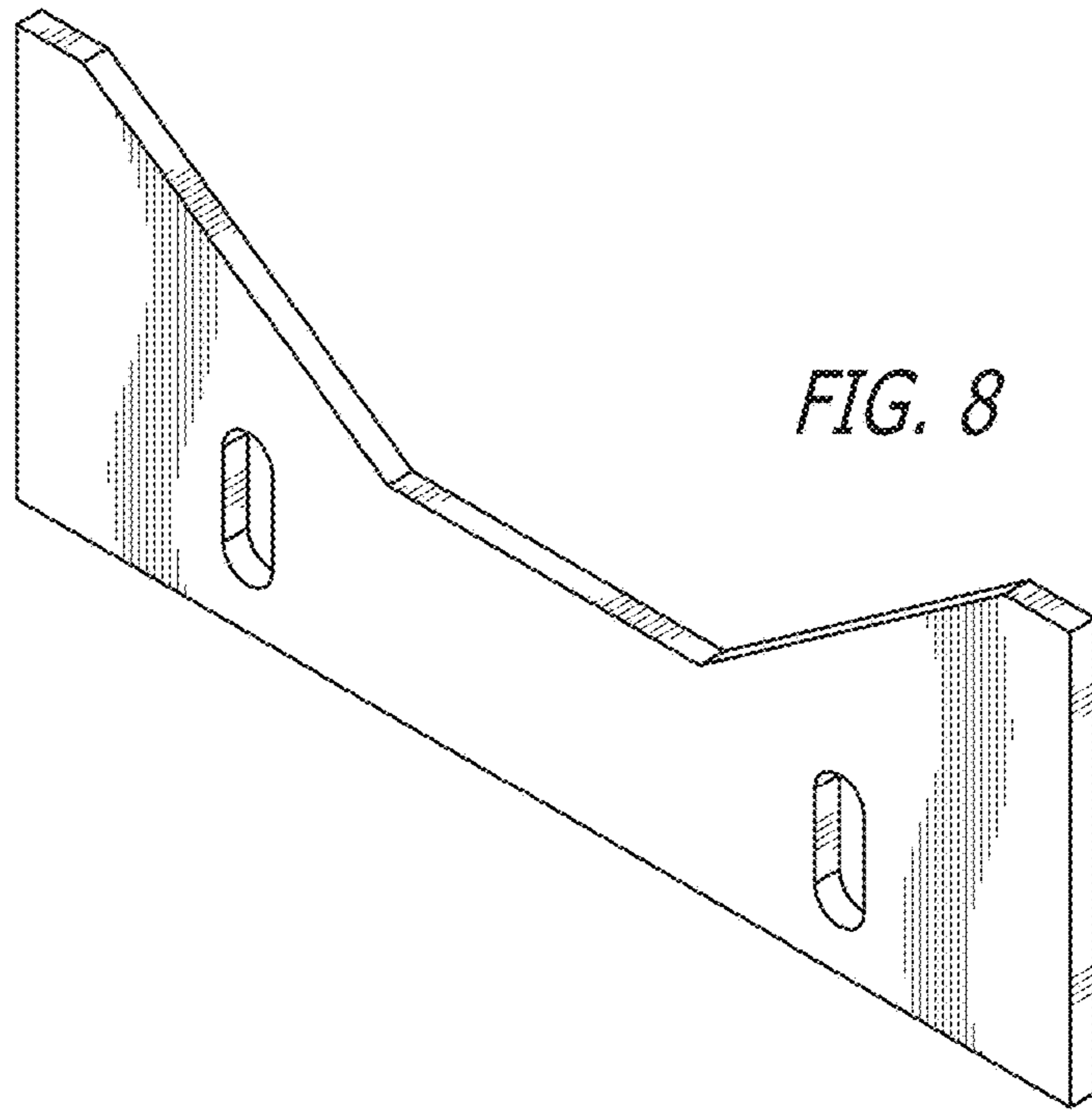


FIG. 8

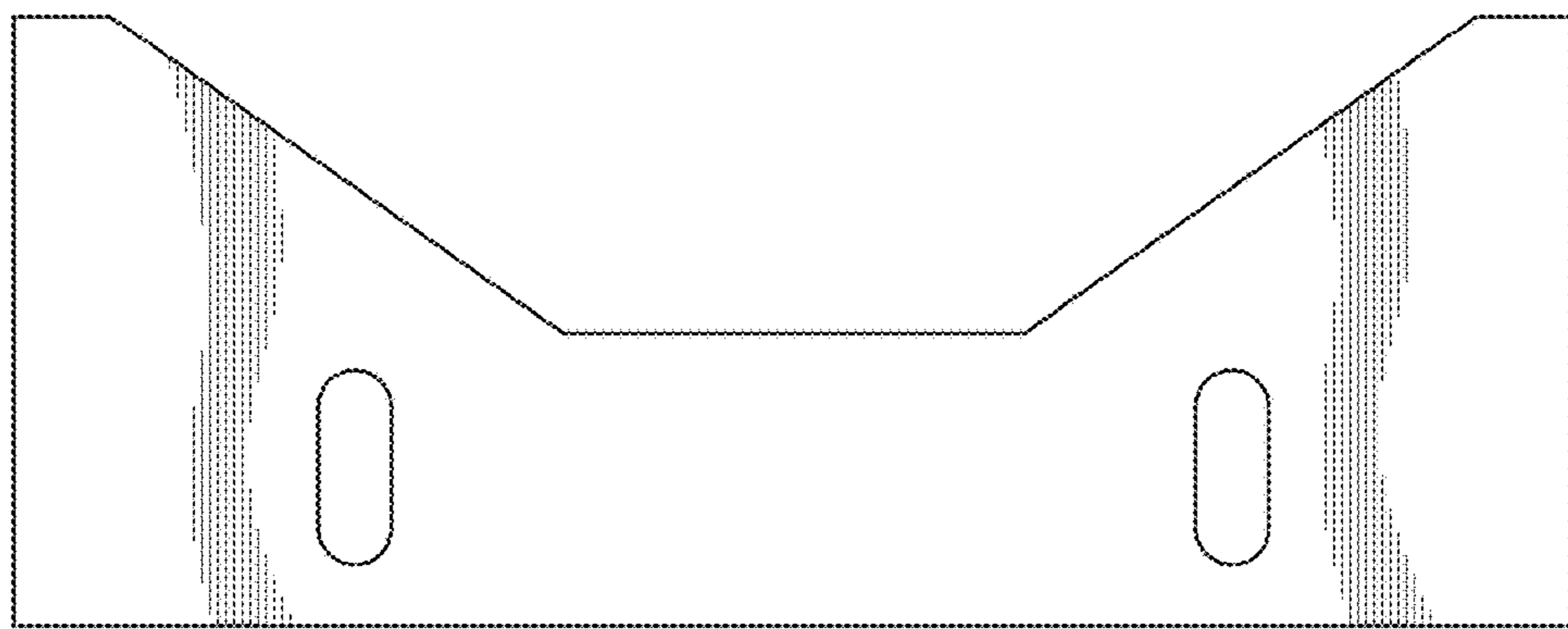


FIG. 9

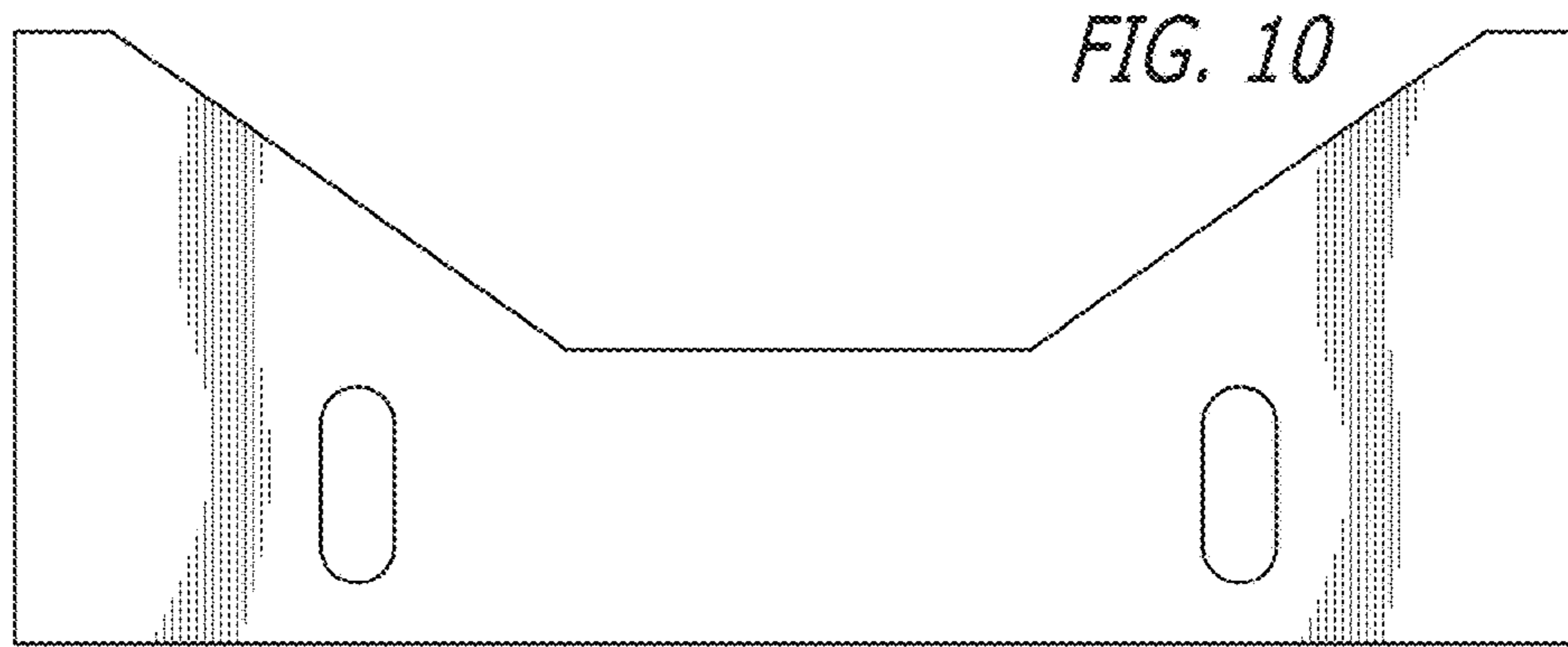


FIG. 10

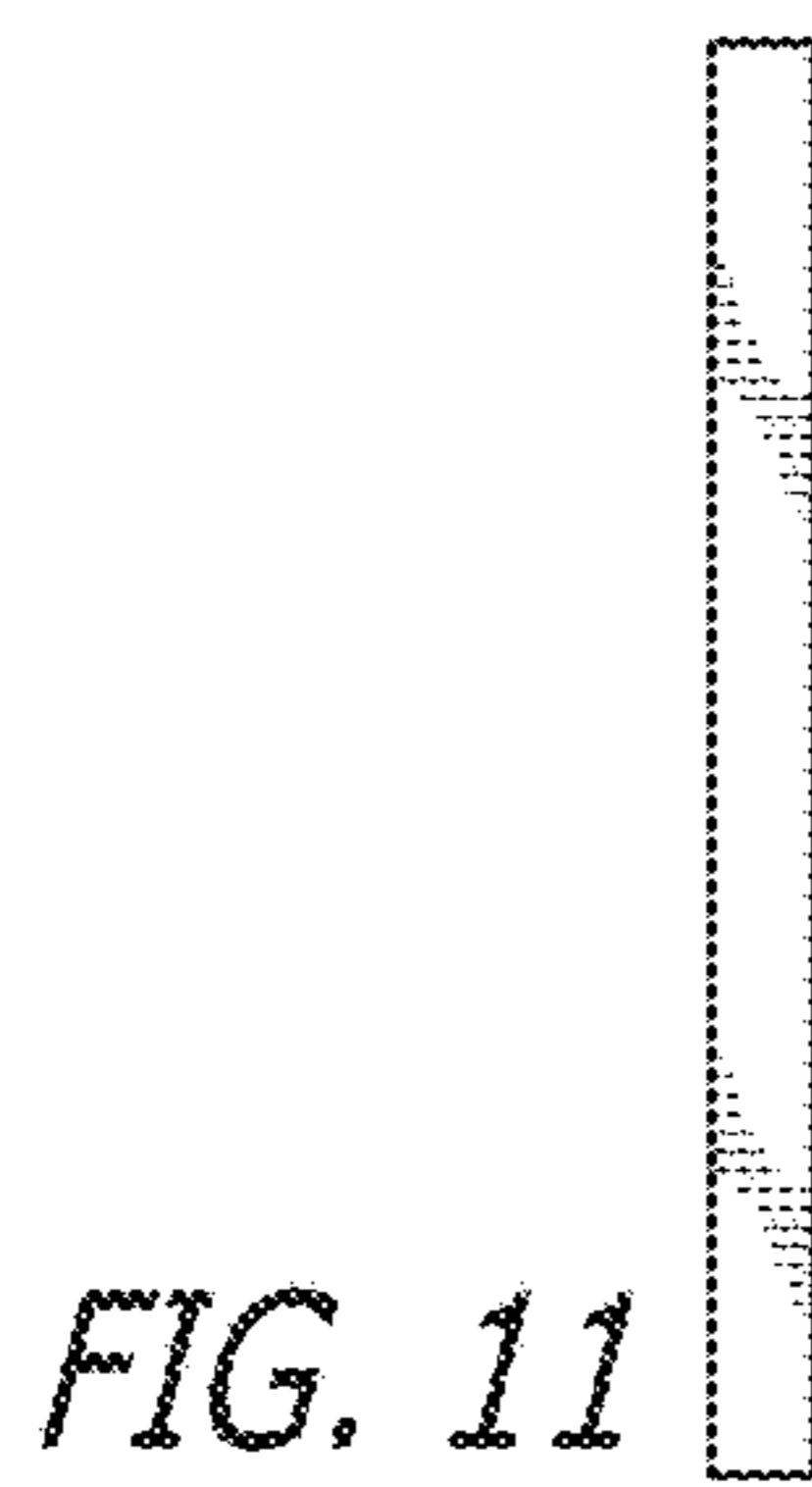


FIG. 11

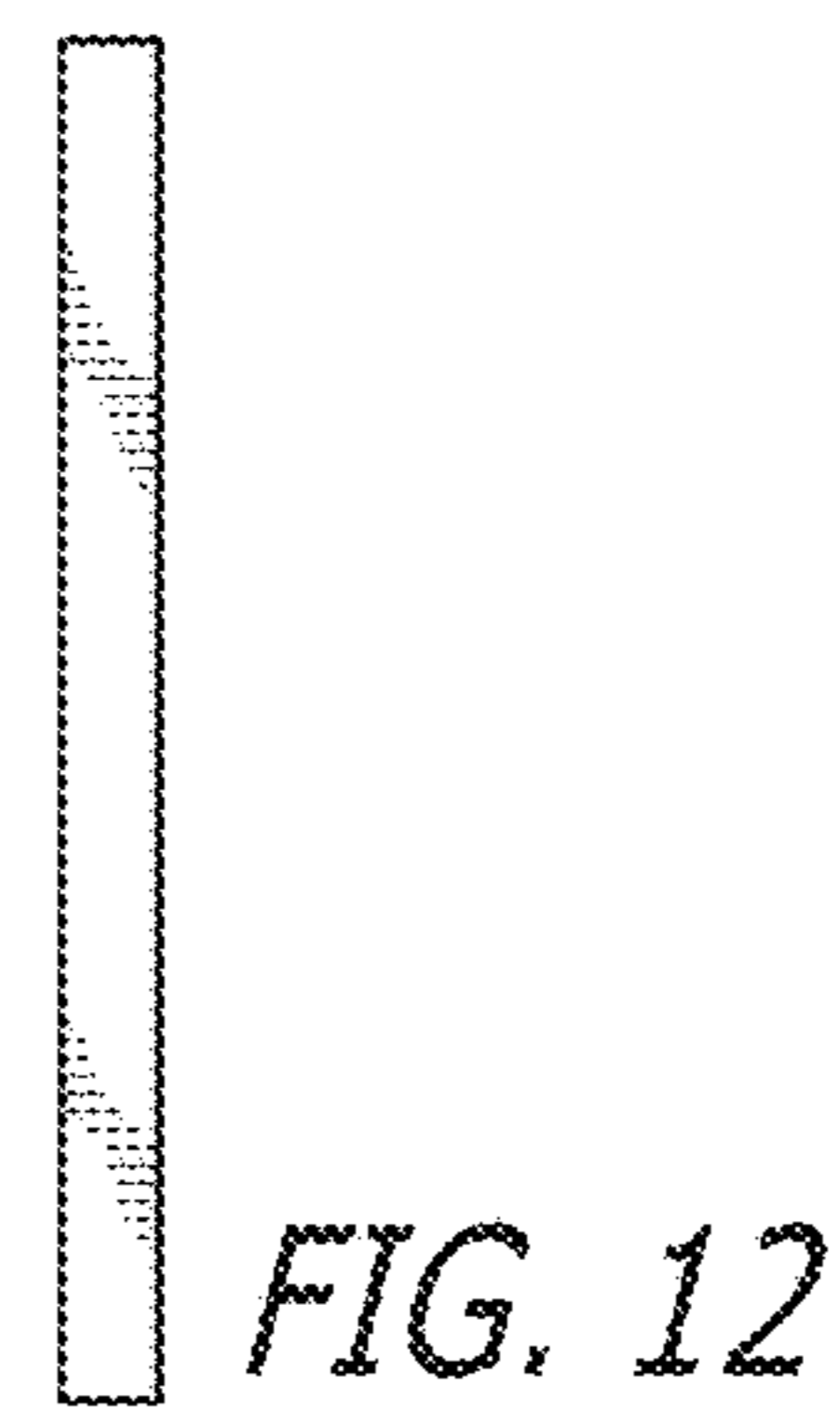


FIG. 12



FIG. 13

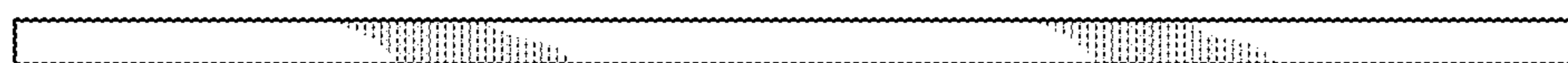


FIG. 14