

US00D861463S

(12) **United States Design Patent**
Takeuchi et al.

(10) **Patent No.:** **US D861,463 S**
(45) **Date of Patent:** **** Oct. 1, 2019**

- (54) **ADJUSTER**
- (71) Applicant: **HEIAN SHINDO KOGYO CO., LTD.,** Osaka (JP)
- (72) Inventors: **Kazuhiro Takeuchi,** Osaka (JP);
Rihoko Ishibashi, Osaka (JP)
- (73) Assignee: **HEIAN SHINDO KOGYO CO., LTD.,** Osaka (JP)
- (**) Term: **15 Years**
- (21) Appl. No.: **29/603,714**
- (22) Filed: **May 11, 2017**
- (30) **Foreign Application Priority Data**
Apr. 4, 2017 (JP) 2017-007181
- (51) **LOC (12) Cl.** **08-05**
- (52) **U.S. Cl.**
USPC **D8/354**
- (58) **Field of Classification Search**
USPC D8/355, 374, 354; D25/68; D34/31
CPC E06C 7/44; A47B 91/02; E04G 25/065;
E04F 15/0247
See application file for complete search history.

- (56) **References Cited**
U.S. PATENT DOCUMENTS
3,222,030 A * 12/1965 Thorpe E04F 15/02452
248/354.3
3,645,054 A * 2/1972 Olvera E04F 15/02452
248/354.3
4,312,088 A * 1/1982 Webb A47B 91/12
5/11
5,116,004 A * 5/1992 Luecke F16M 11/28
248/157
5,501,754 A * 3/1996 Hiraguri E04F 15/02452
156/71

- D373,428 S * 9/1996 Nashleanas D25/68
- 5,561,950 A * 10/1996 Collins E02D 27/32
248/354.3
- 5,603,187 A * 2/1997 Merrin E04D 13/12
248/237
- 5,666,774 A * 9/1997 Commins E04H 12/2253
248/188.4
- 5,819,482 A * 10/1998 Belke E04C 3/005
52/126.6

(Continued)

Primary Examiner — Philip S Hyder
(74) *Attorney, Agent, or Firm* — Studebaker & Brackett
PC

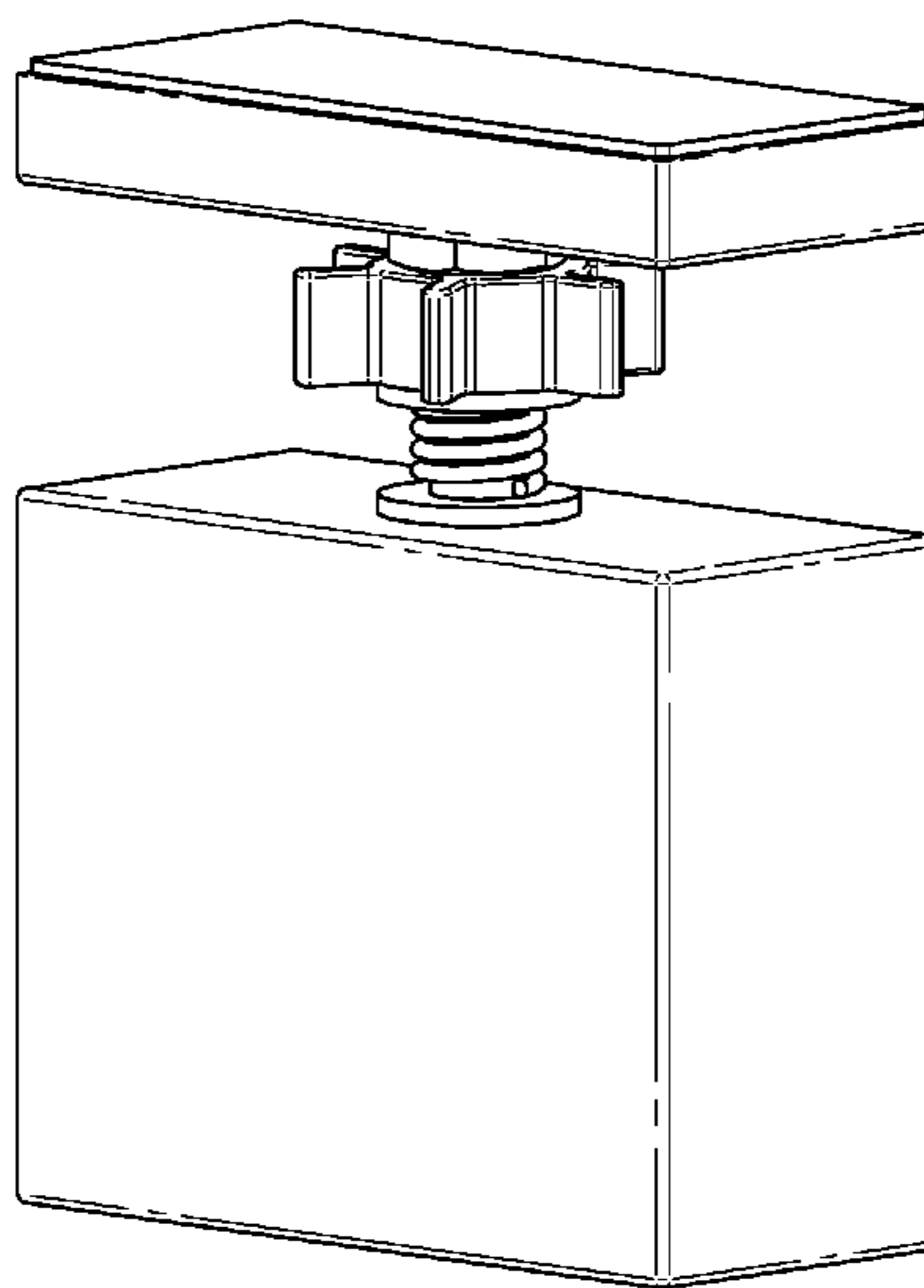
(57) **CLAIM**

The ornamental design for an adjuster, as shown and described.

DESCRIPTION

FIG. 1 is a front view of an adjuster showing a first embodiment of our new design;
FIG. 2 is a rear view thereof;
FIG. 3 is a top plan view thereof,
FIG. 4 is a bottom plan view thereof,
FIG. 5 is a right side view thereof,
FIG. 6 is a left side view thereof,
FIG. 7 is a top, right perspective view thereof,
FIG. 8 is a bottom, left perspective view thereof,
FIG. 9 is a front view of an adjuster showing a second embodiment of our new design;
FIG. 10 is a rear view thereof;
FIG. 11 is a top plan view thereof,
FIG. 12 is a bottom plan view thereof,
FIG. 13 is a right side view thereof,
FIG. 14 is a left side view thereof,
FIG. 15 is a top, right perspective view thereof; and,
FIG. 16 is a bottom, left perspective view thereof.
The broken lines shown in FIGS. 4, and 12 illustrate portions of the adjuster that form no part of the claimed design.

1 Claim, 8 Drawing Sheets



(56)

References Cited

U.S. PATENT DOCUMENTS

5,862,635 A * 1/1999 Linse E04H 9/14
52/126.6
6,135,401 A * 10/2000 Chen A47B 91/028
248/188.4
6,347,489 B1 * 2/2002 Marshall, Jr. E02D 27/00
248/354.5
6,442,906 B1 * 9/2002 Hwang E04F 15/0247
248/188.4
6,467,741 B1 * 10/2002 Shih E04G 25/06
248/200.1
6,536,725 B2 * 3/2003 Fisher A47B 91/022
248/188.4
D607,711 S * 1/2010 Adams D8/354
8,162,289 B2 * 4/2012 McCaleb E04G 23/0218
248/357
9,366,052 B1 * 6/2016 Warner E04H 12/2269
D793,848 S * 8/2017 Charette D8/354

* cited by examiner

FIG. 1

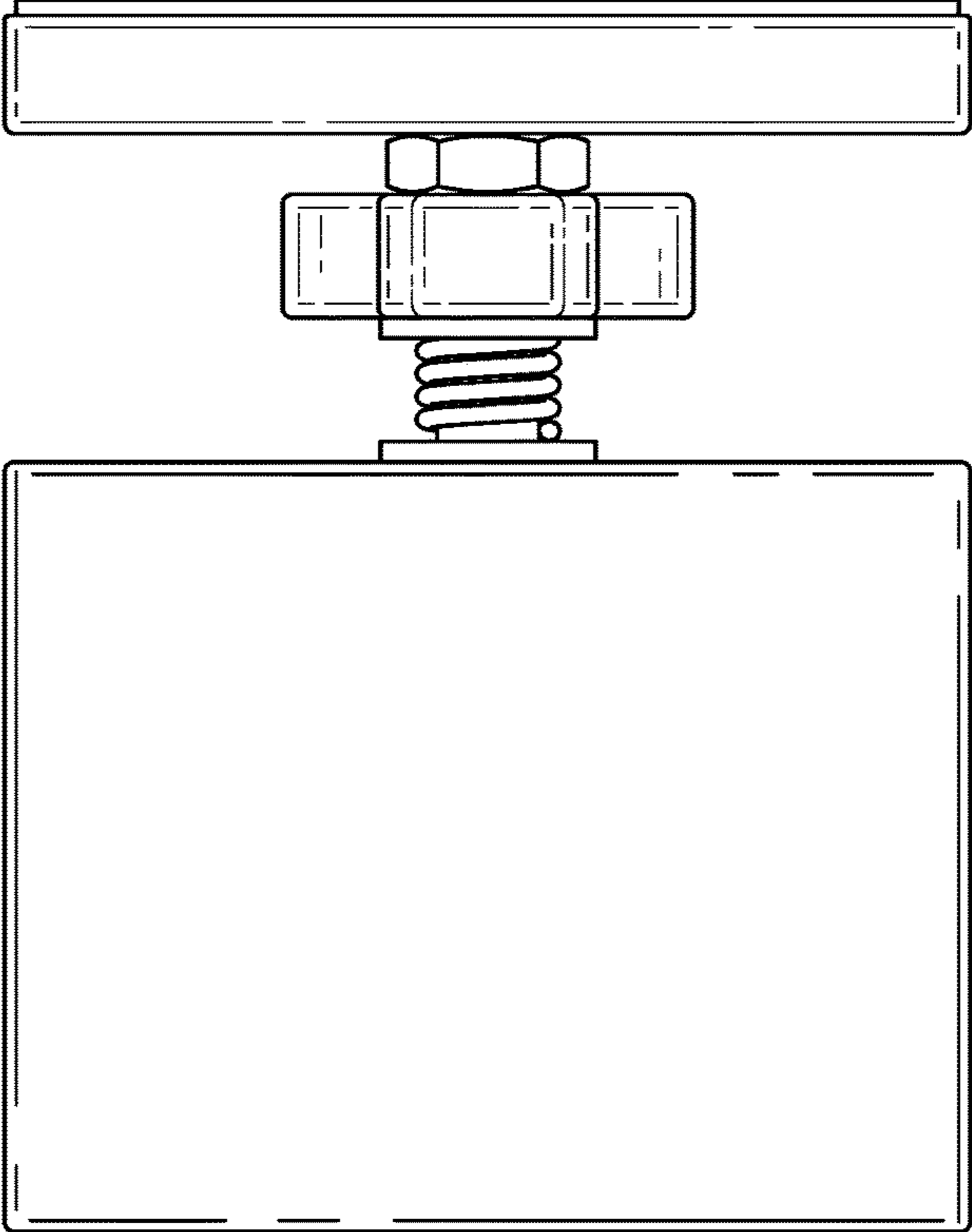
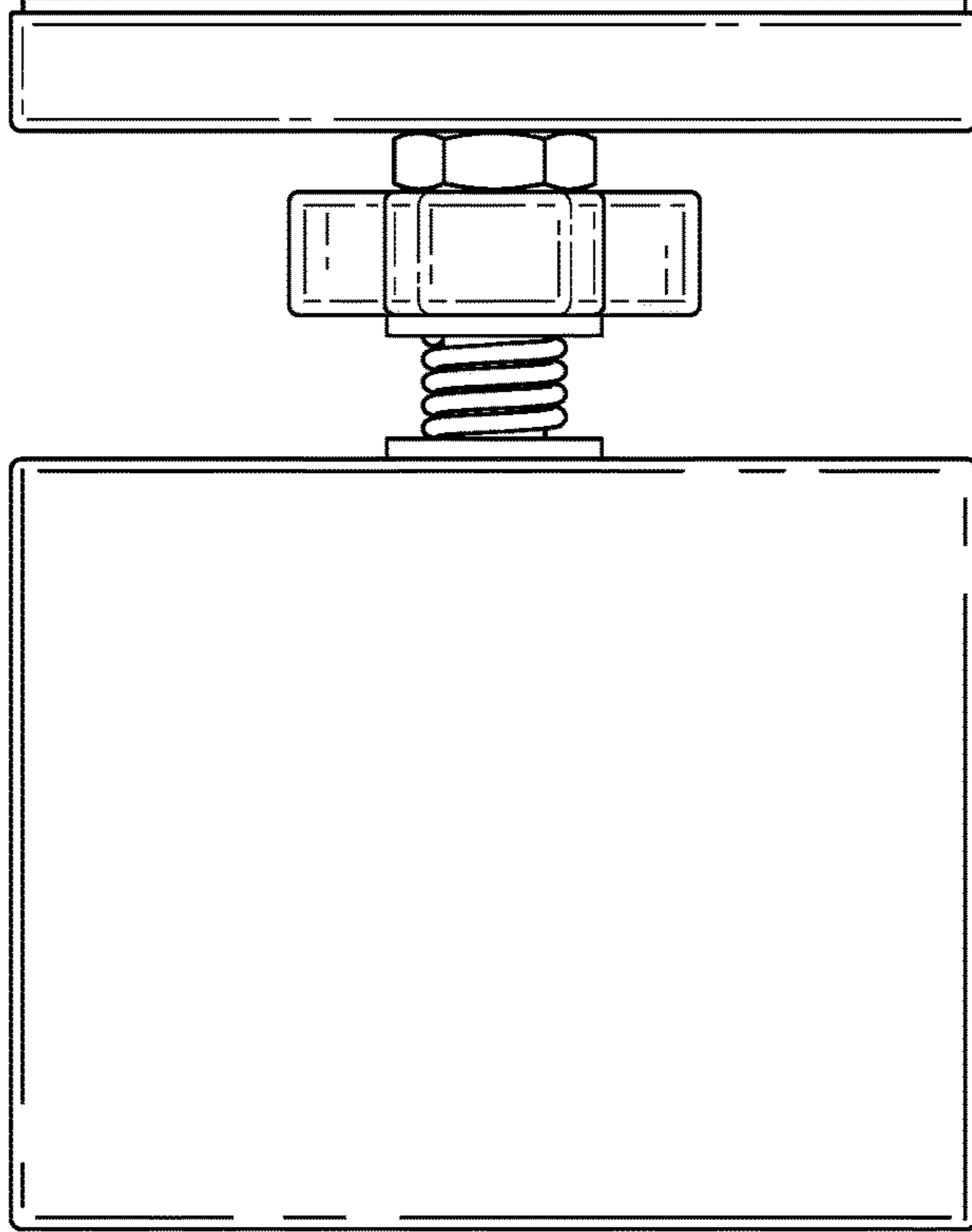


FIG. 2



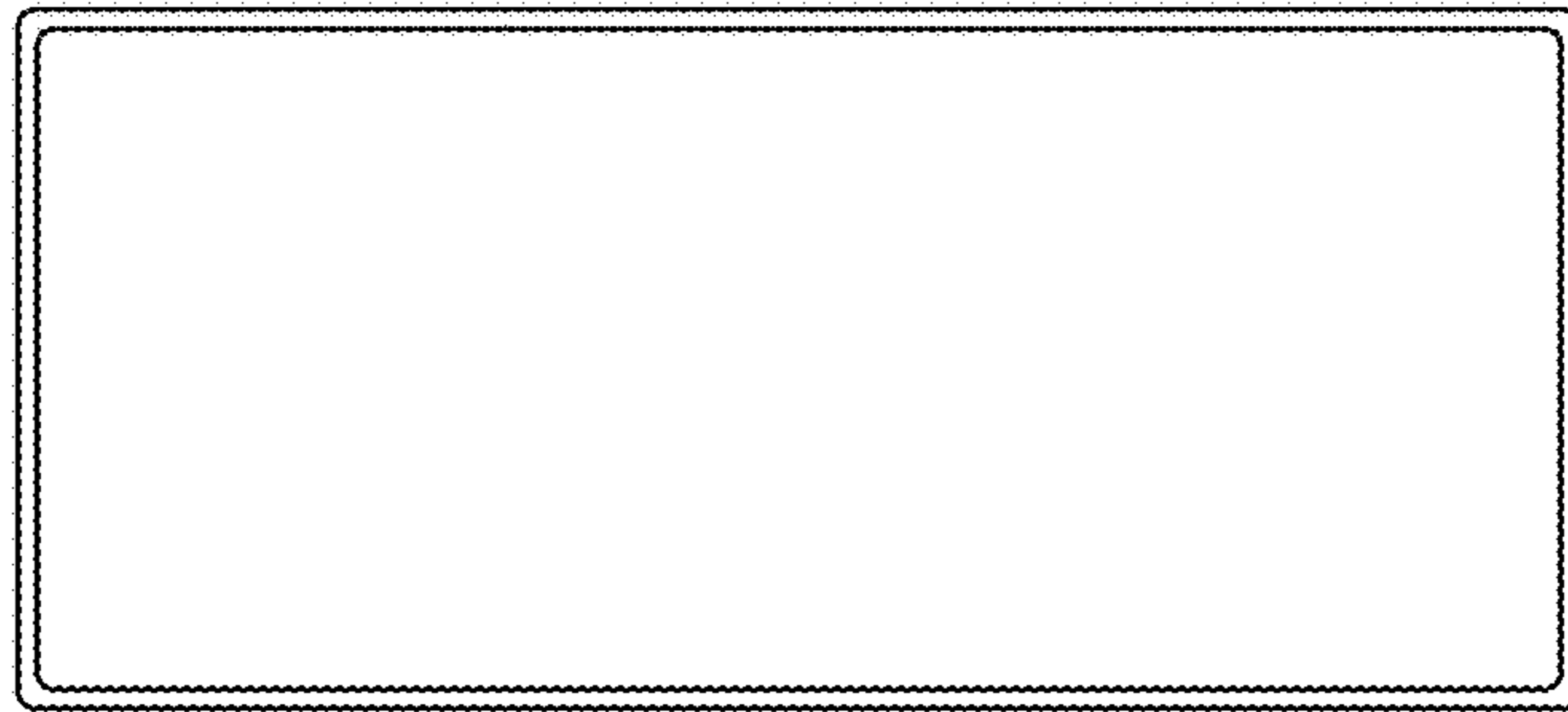


FIG. 3

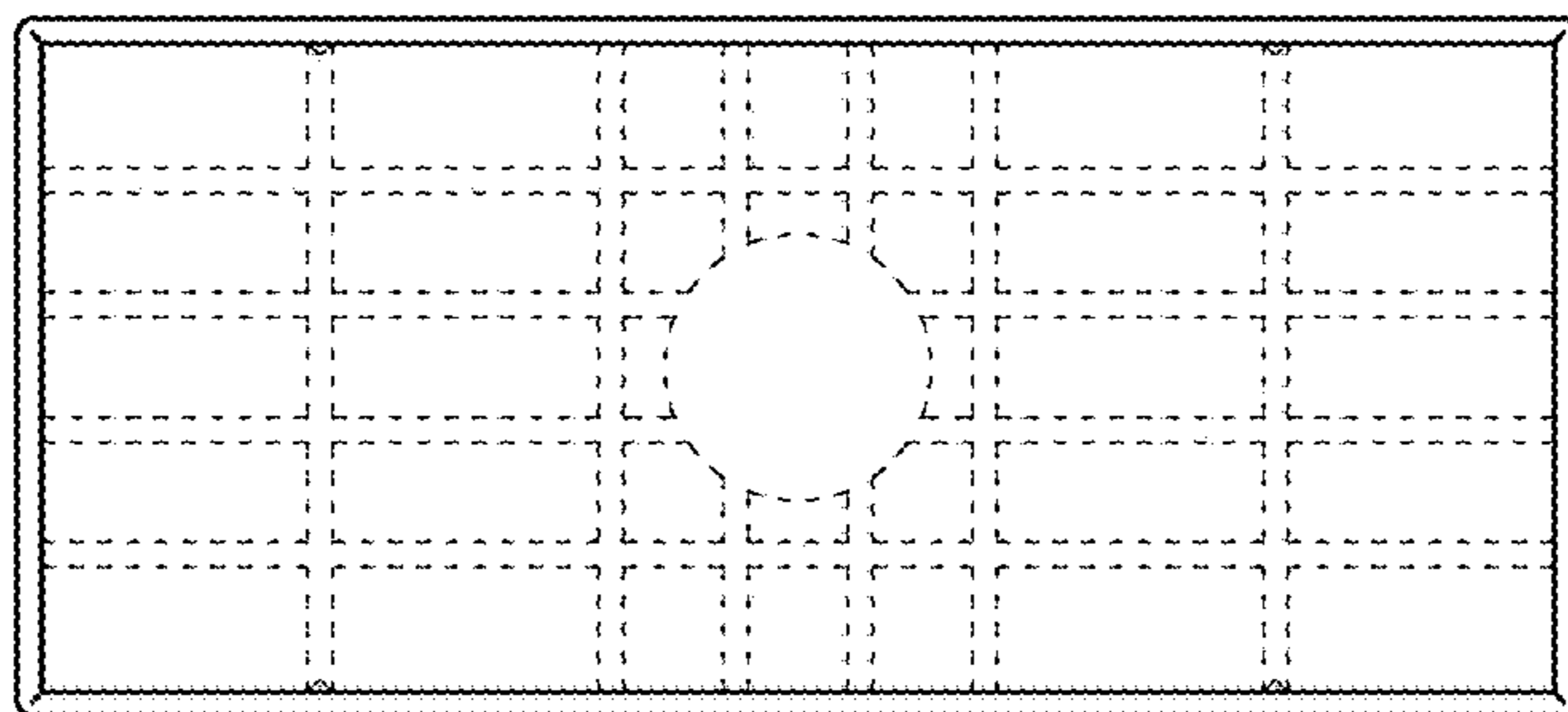


FIG. 4

FIG. 5

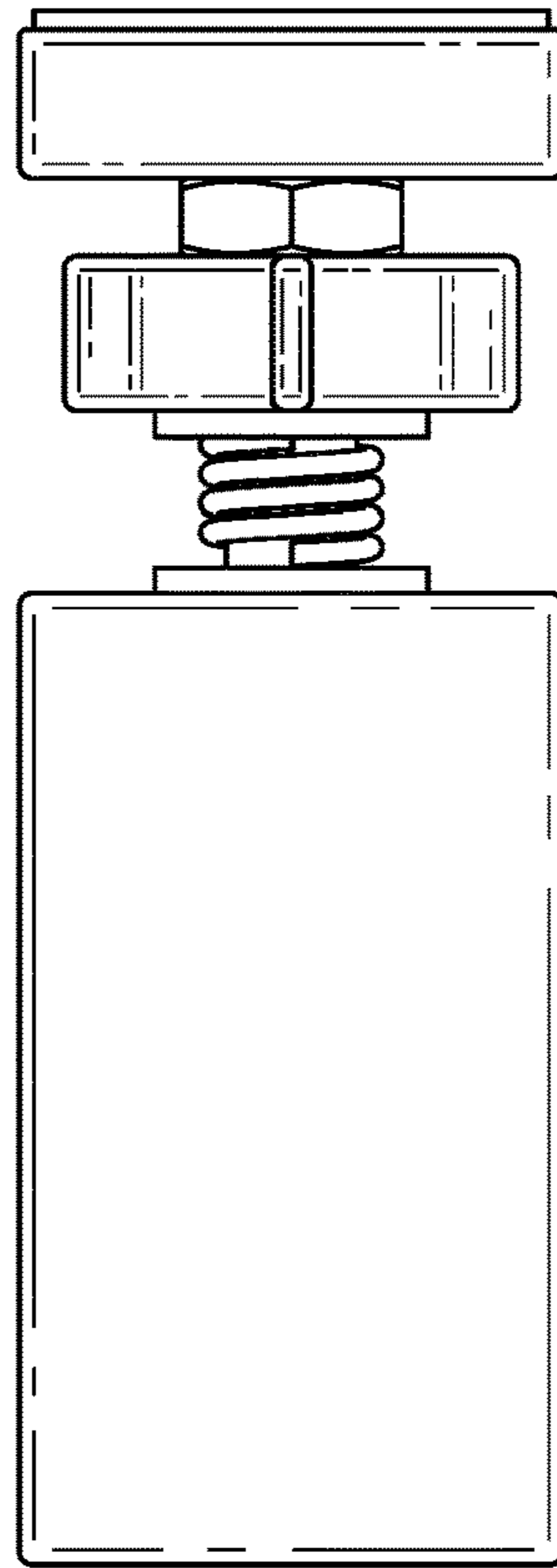


FIG. 6

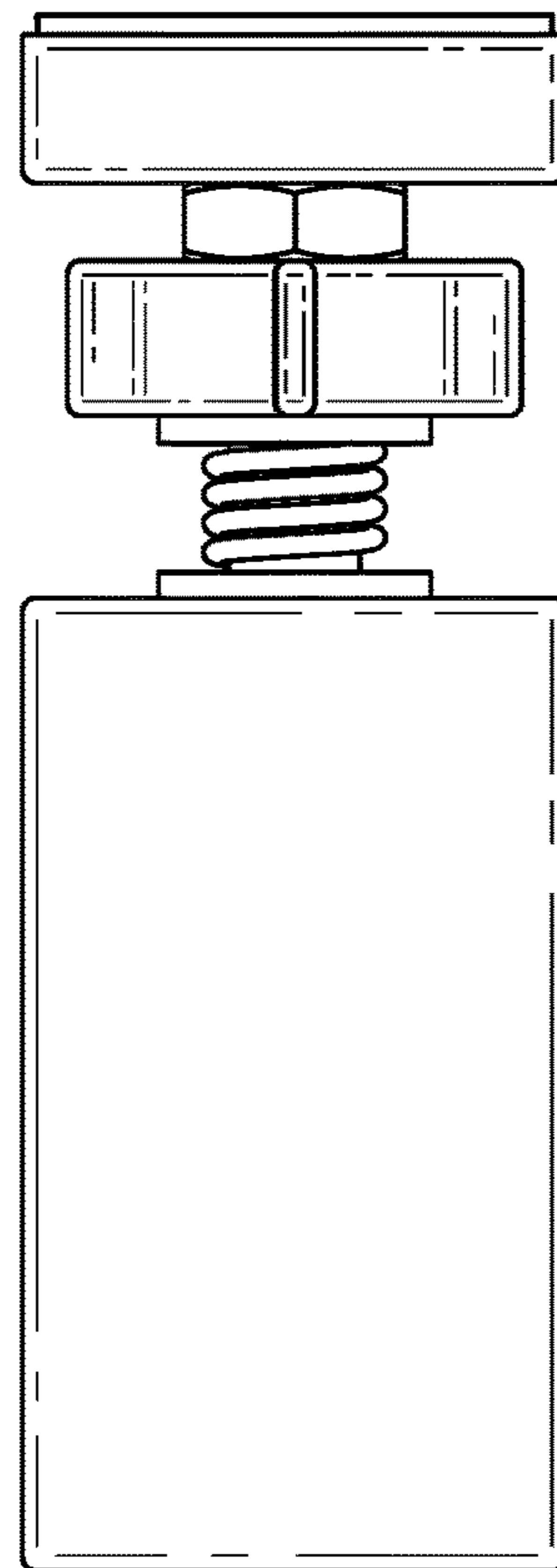


FIG. 7

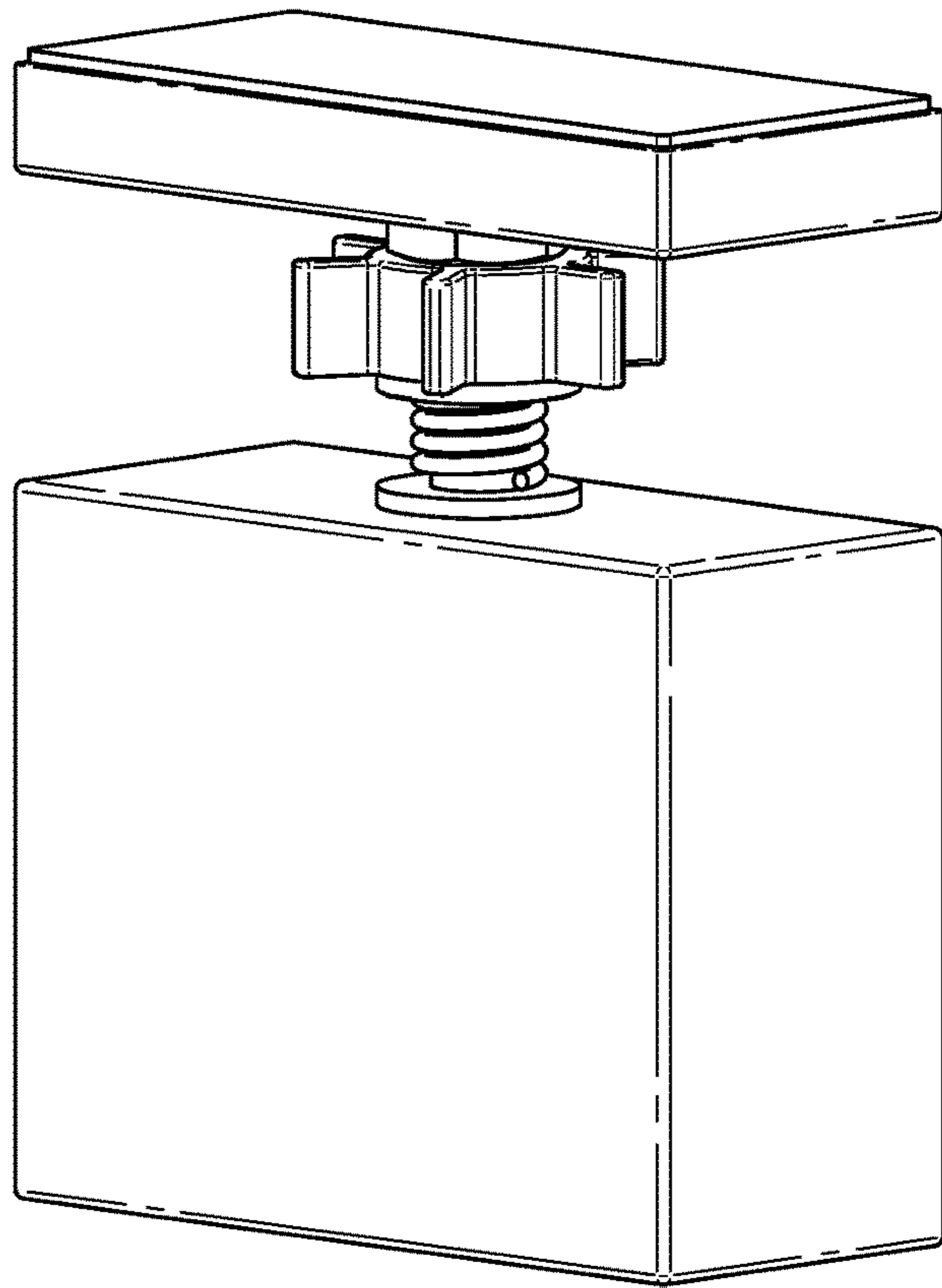


FIG. 8

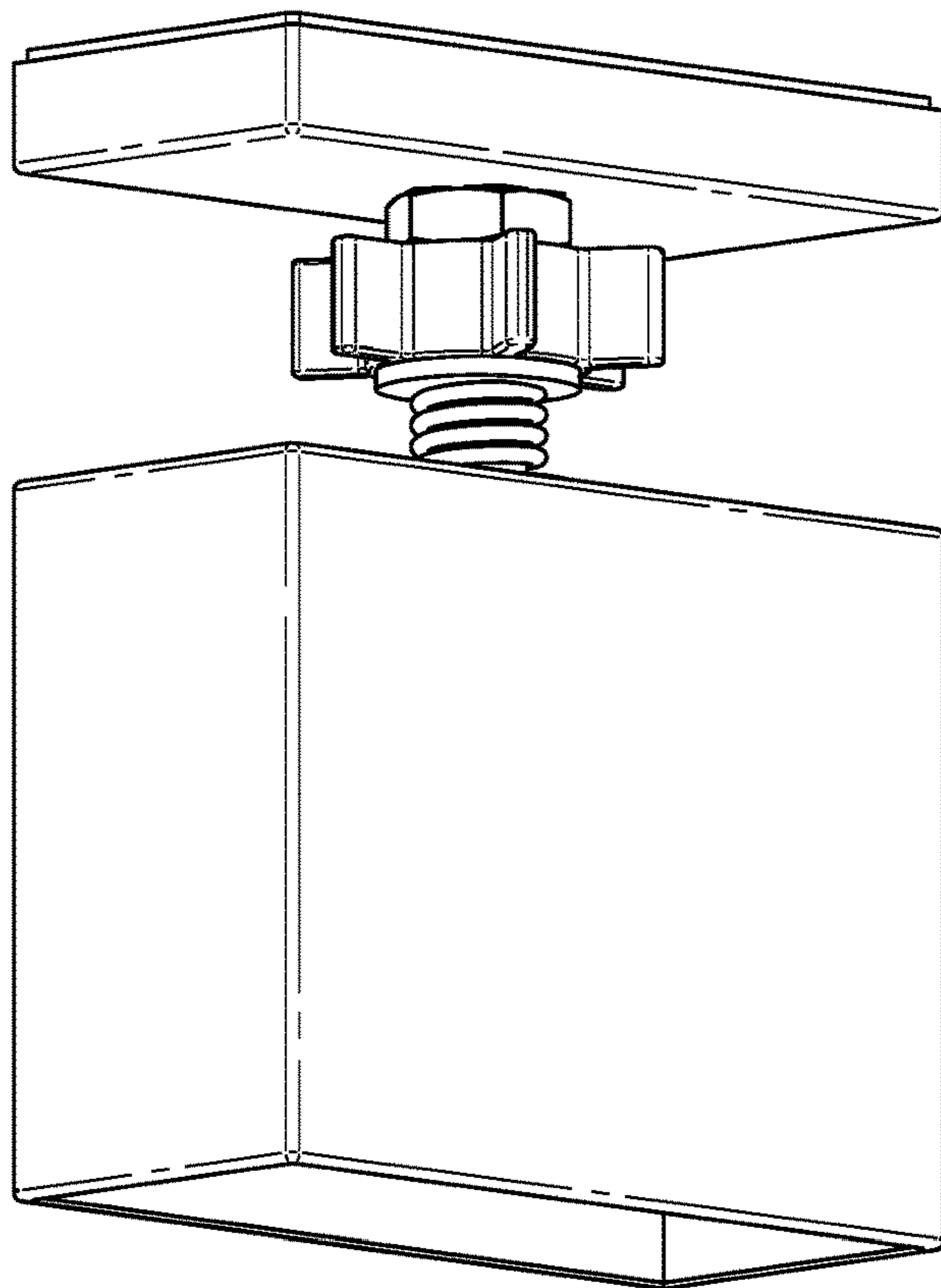


FIG. 9

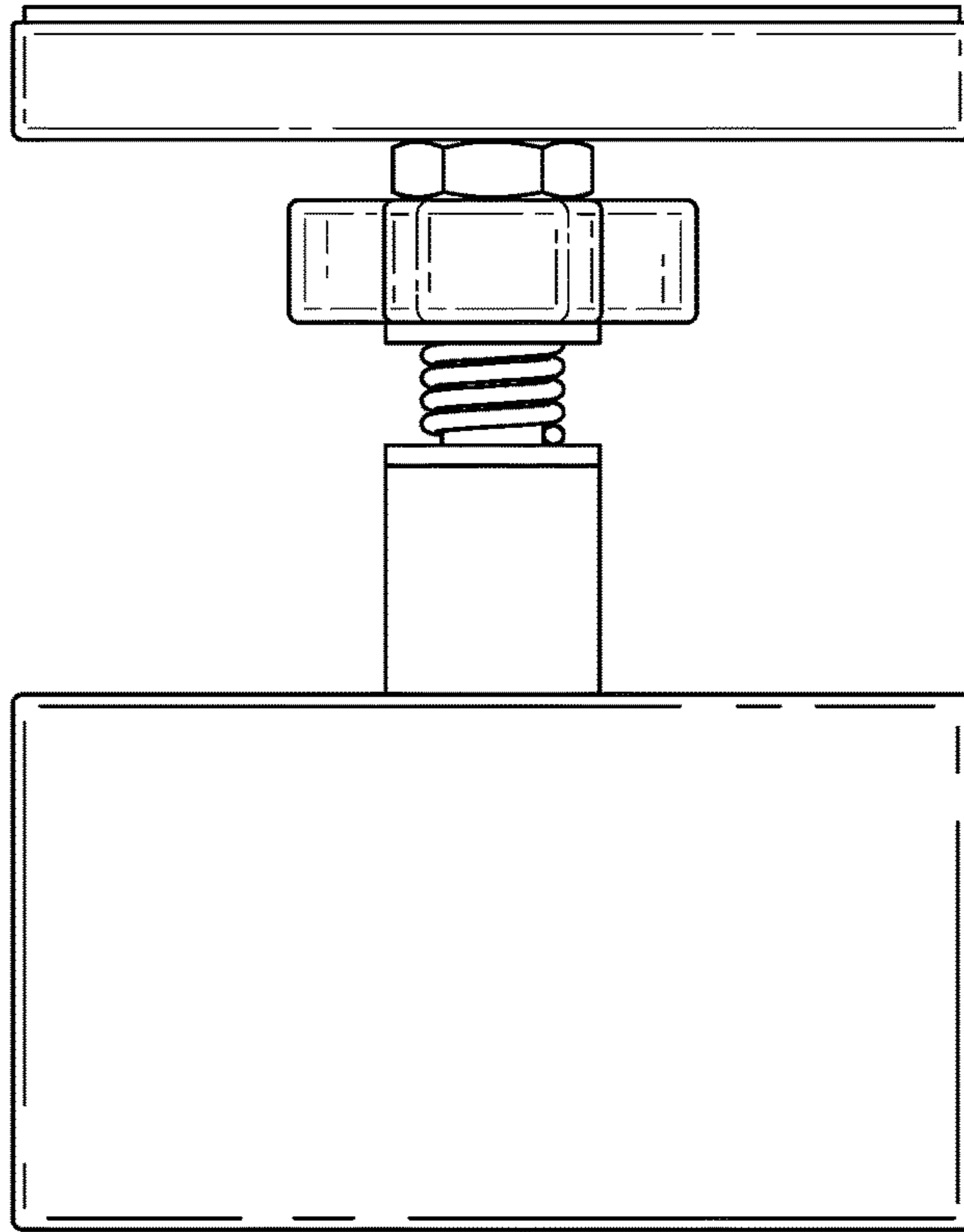
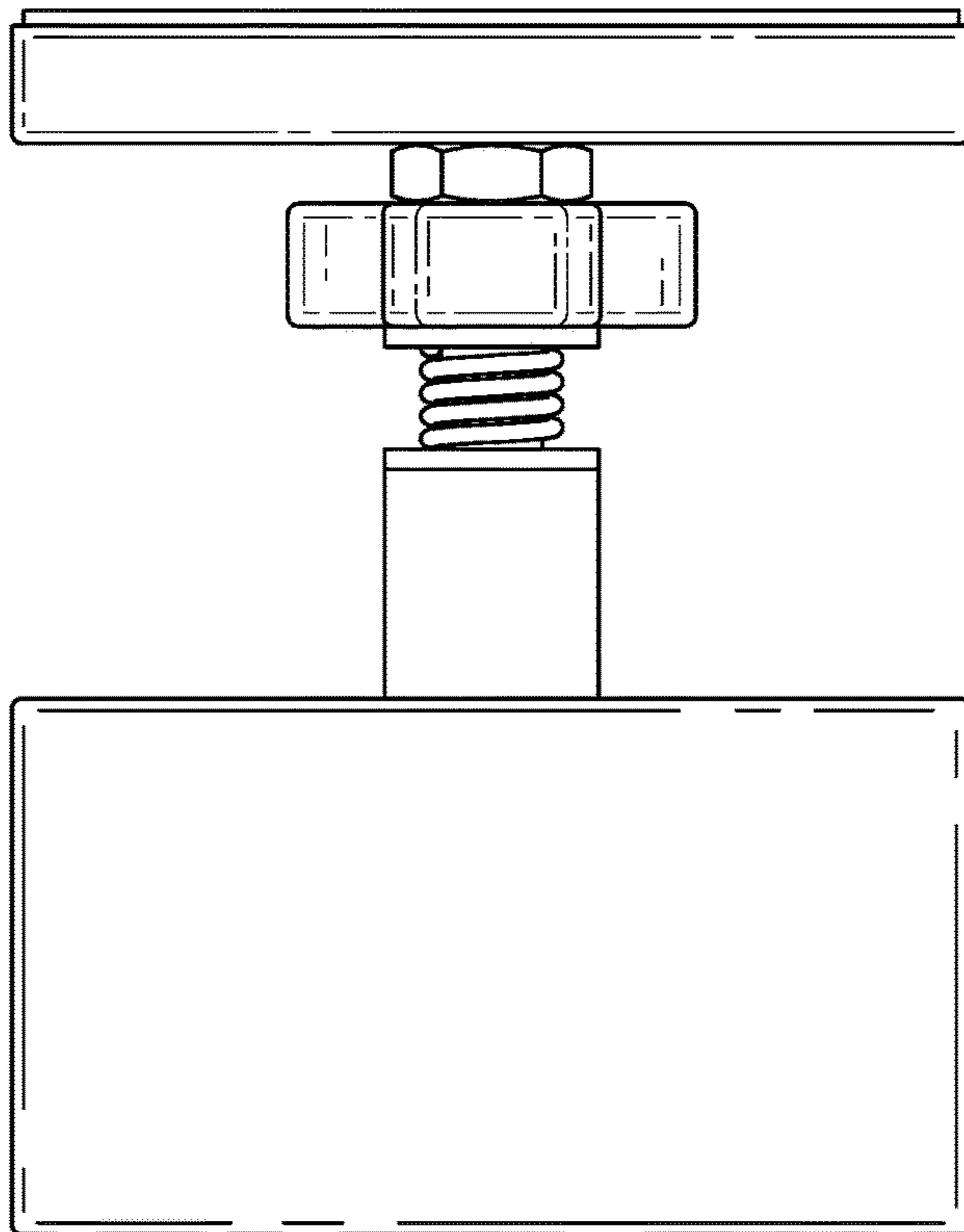


FIG. 10



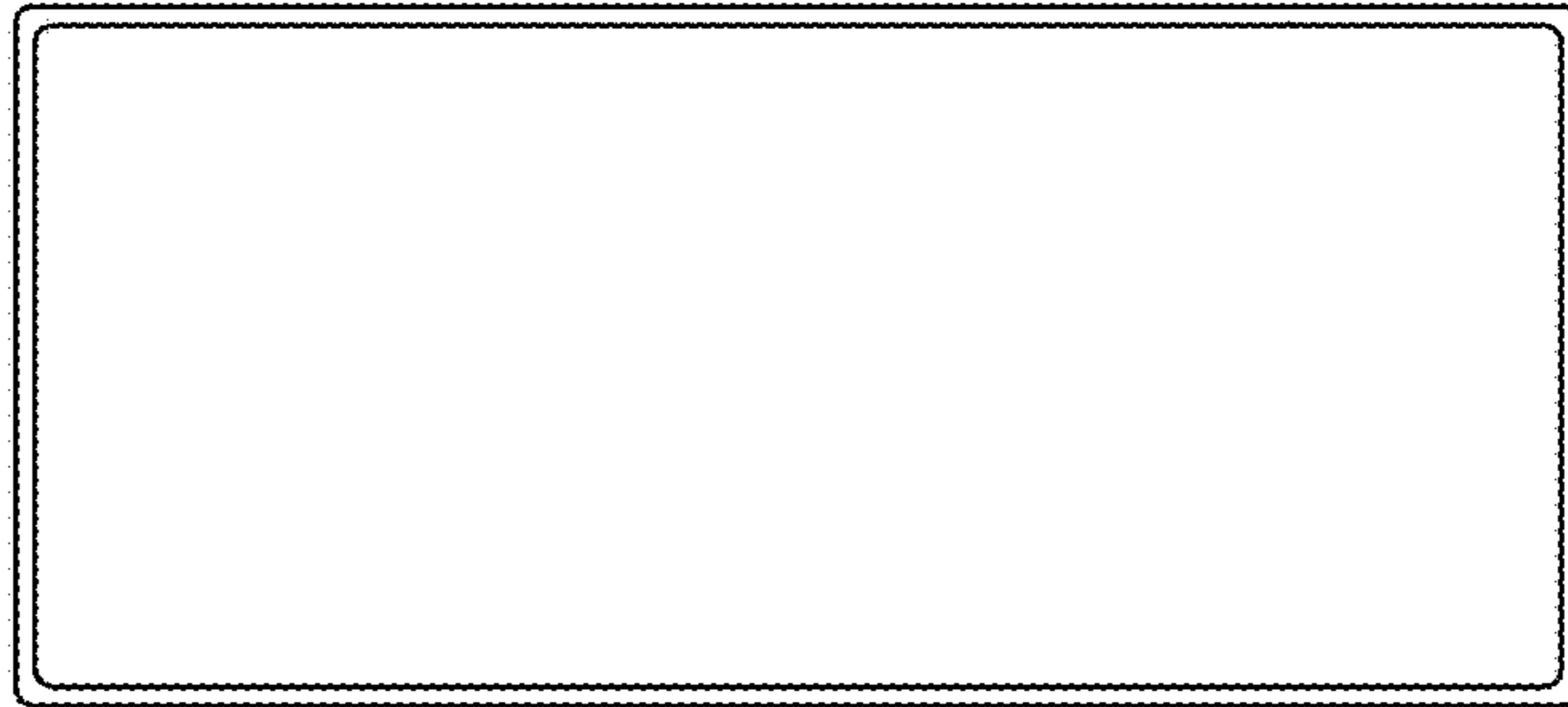


FIG. 11

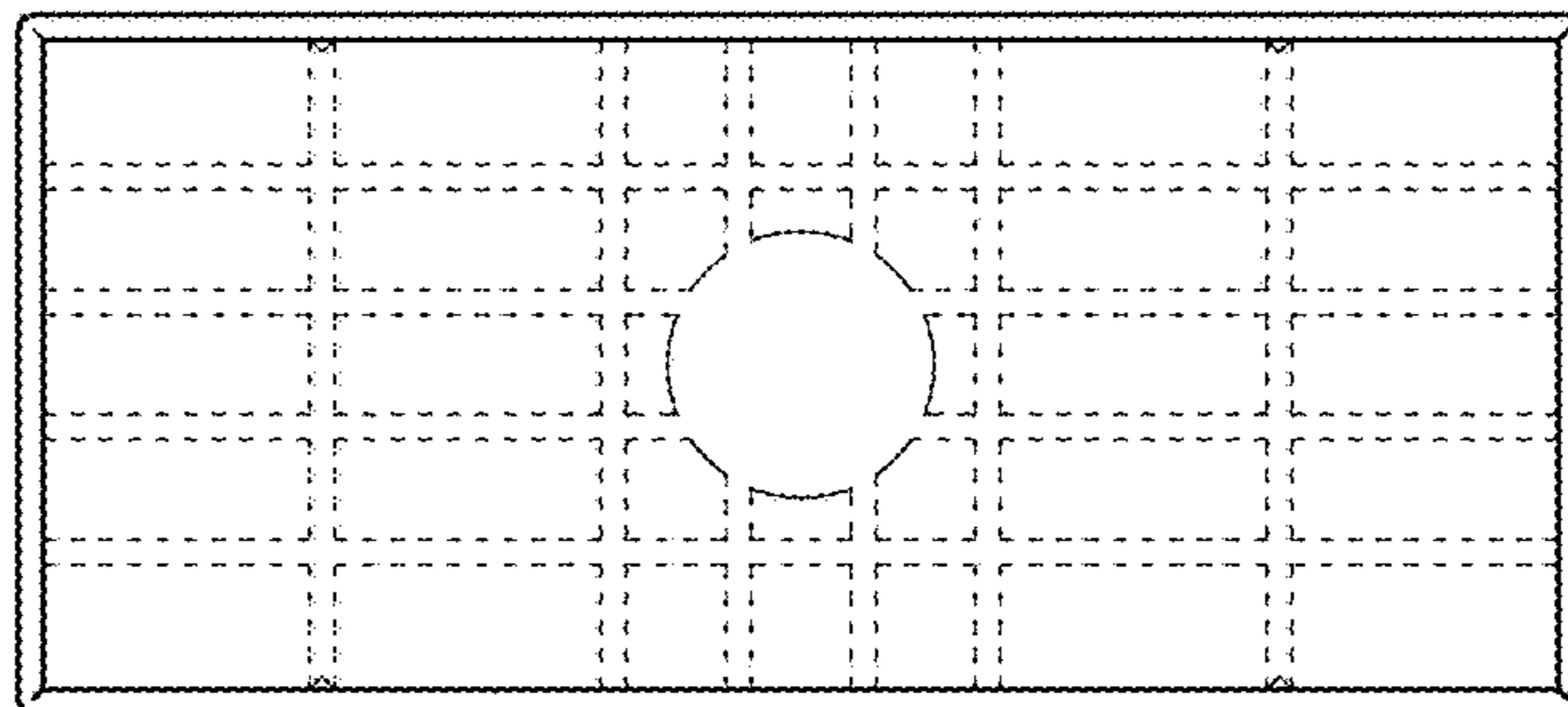


FIG. 12

FIG. 13

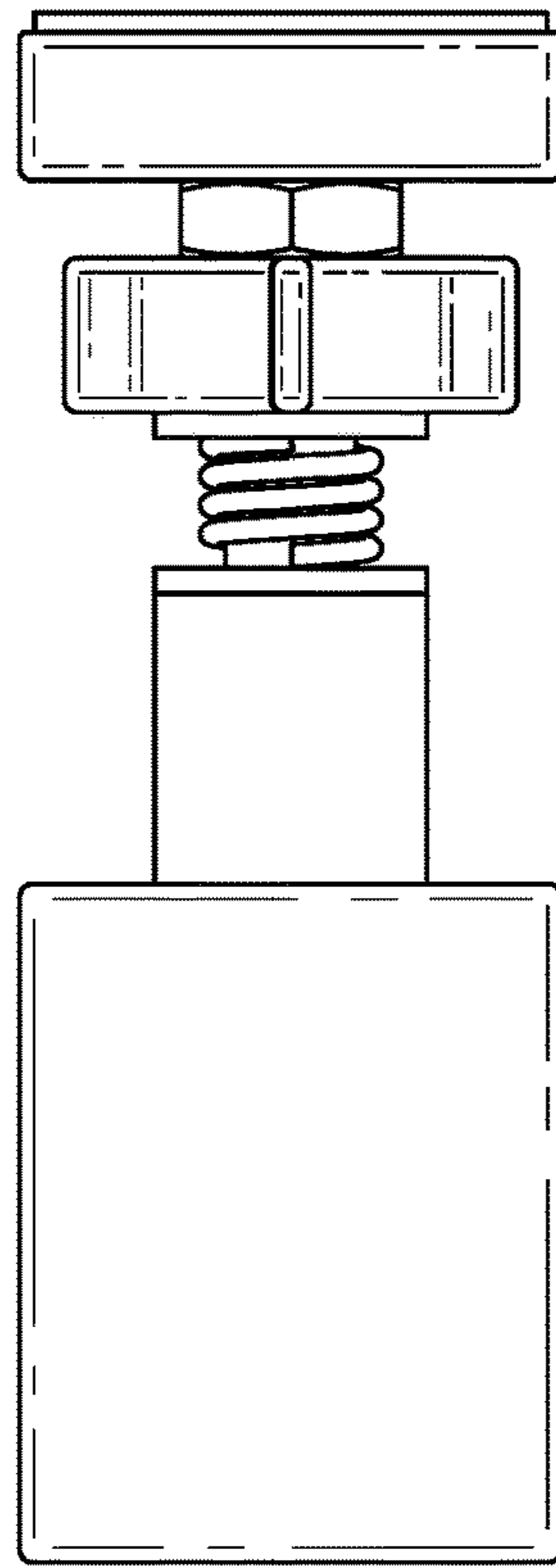


FIG. 14

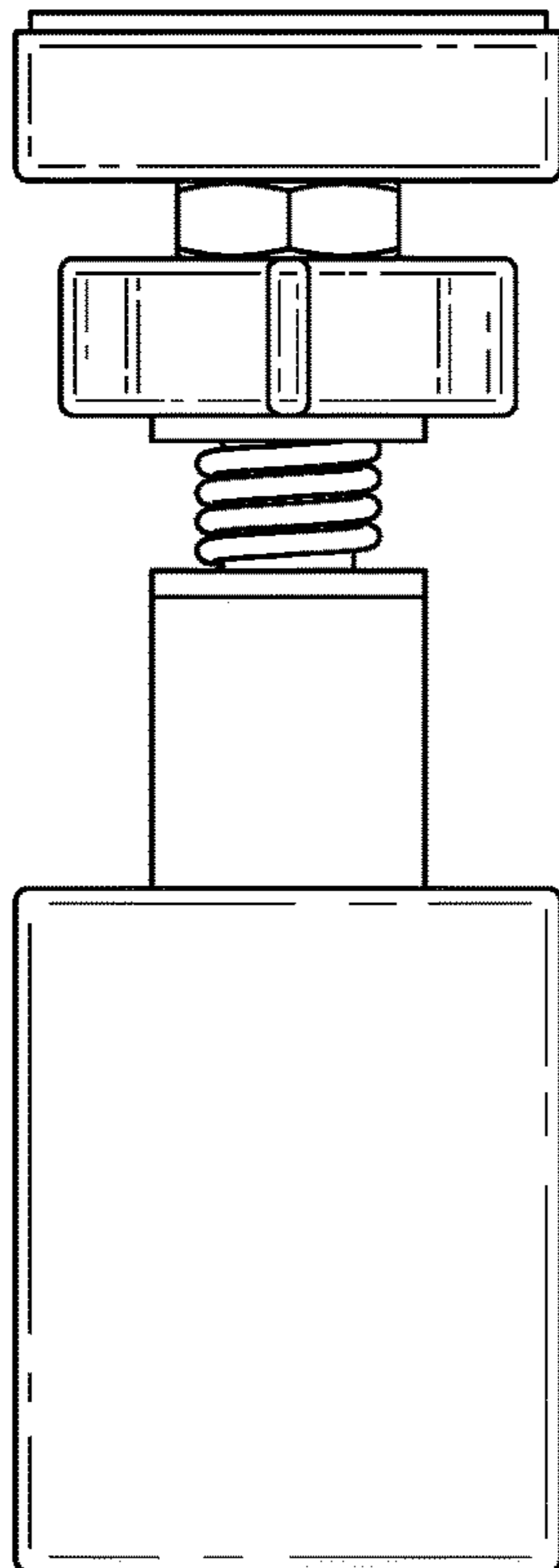


FIG. 15

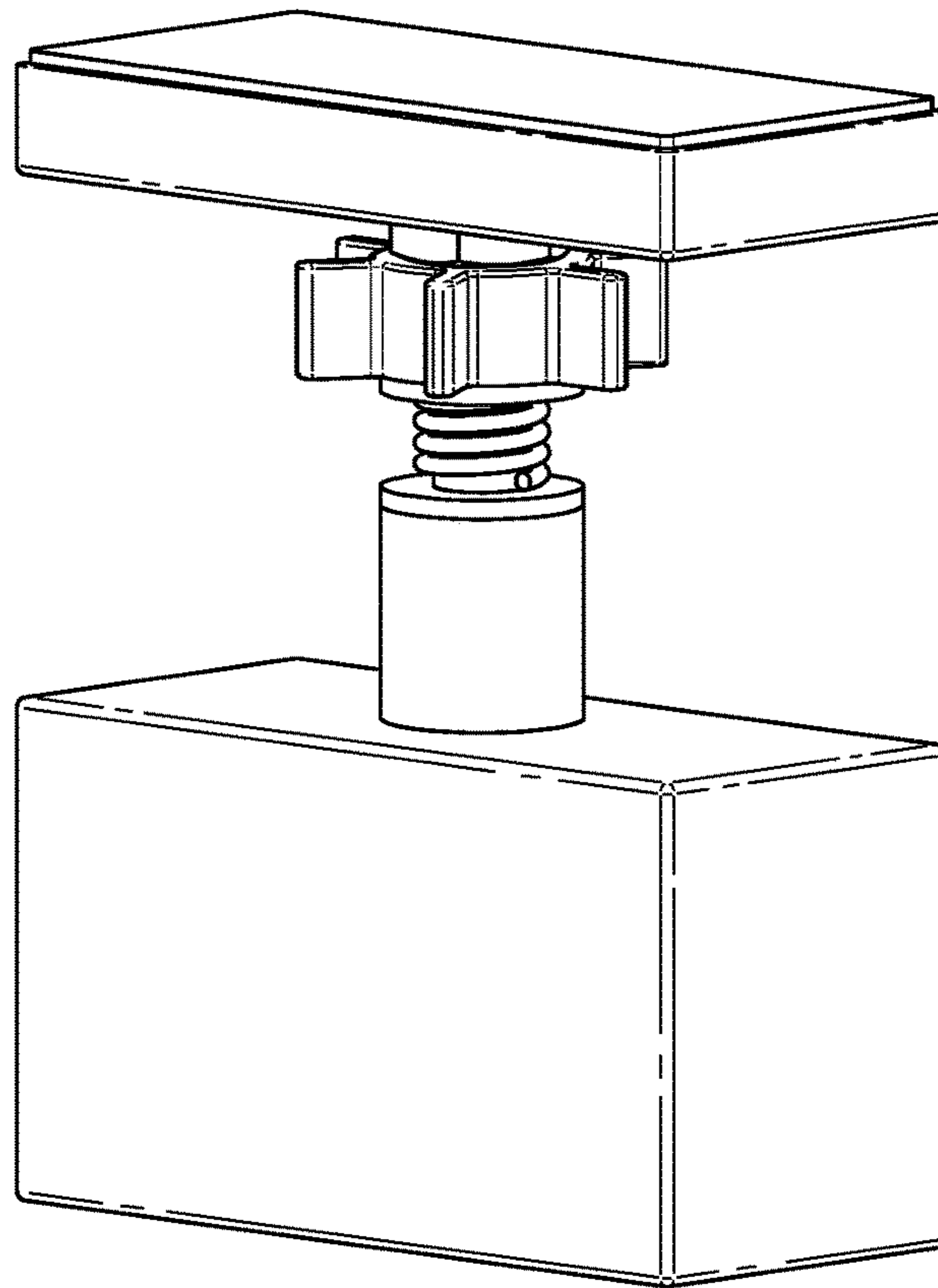


FIG. 16

