



US00D861462S

(12) **United States Design Patent** (10) **Patent No.:** **US D861,462 S**  
**Singtoroj et al.** (45) **Date of Patent:** **\*\* Oct. 1, 2019**

(54) **LOCK**  
(71) Applicant: **Spectrum Brands, Inc.**, Middleton, WI (US)  
(72) Inventors: **Yos Singtoroj**, Anaheim, CA (US); **Andy Chen**, Xiamen (CN)  
(73) Assignee: **Spectrum Brands, Inc.**, Middleton, WI (US)  
(\*\*) Term: **15 Years**  
(21) Appl. No.: **29/657,325**  
(22) Filed: **Jul. 20, 2018**  
(51) **LOC (12) Cl.** ..... **11-05**  
(52) **U.S. Cl.**  
USPC ..... **D8/353; D8/331**  
(58) **Field of Classification Search**  
USPC ..... D8/330, 331, 334, 300, 301, 302, D8/350-353; 70/14, 20-22, 57, 57.1, 70/284-286, 314, DIG. 44; 340/5.21, 340/5.54, 5.65, 5.73, 5.81, 5.85  
CPC . E05C 9/004; E05B 9/002; E05B 9/00; E05B 9/02; E05B 37/00; E05B 1/00; E05B 3/00; E05B 47/00; E05B 47/06; E05B 49/00; E05B 15/02; E05B 15/00; E05B 13/103; Y10T 70/8324; Y10T 70/8459; Y10T 70/8514; Y10T 70/8568  
See application file for complete search history.

(56) **References Cited**

**U.S. PATENT DOCUMENTS**

D271,374 S \* 11/1983 Butts ..... D8/353  
D429,142 S \* 8/2000 Monge ..... D8/350  
D437,771 S \* 2/2001 Barnes ..... D8/352  
D494,841 S \* 8/2004 Moon ..... D8/352  
D508,393 S \* 8/2005 Gao ..... D8/352  
D513,469 S \* 1/2006 Gao ..... D8/350

D553,953 S \* 10/2007 Roberts ..... D8/330  
D588,439 S \* 3/2009 Lin ..... D8/330  
D592,936 S \* 5/2009 Douglas ..... D8/330  
D593,399 S \* 6/2009 Douglas ..... D8/330  
D637,472 S \* 5/2011 Singtoroj ..... D8/330  
D637,474 S \* 5/2011 Schneider ..... D8/330  
7,984,631 B2 \* 7/2011 Case ..... E05B 15/02  
70/278.1  
D645,726 S \* 9/2011 Lu ..... D8/330  
D682,656 S \* 5/2013 Cramer ..... D8/331  
D684,842 S \* 6/2013 Chan ..... D8/331  
D699,096 S 2/2014 Chan et al.  
D706,516 S \* 6/2014 Caglia ..... D1/105  
D729,610 S \* 5/2015 Gao ..... D8/331  
D733,522 S \* 7/2015 Kim ..... D8/331  
D735,016 S \* 7/2015 Kim ..... D8/331  
D736,590 S \* 8/2015 Roberts, III ..... D8/330  
D736,591 S \* 8/2015 Groleski ..... D8/330

(Continued)

**OTHER PUBLICATIONS**

Pictures of Schlage Lock, by Schlage, 1 color sheet of photographs, disclosed unknown but prior to filing date of present application.

*Primary Examiner* — Mark A Goodwin  
(74) *Attorney, Agent, or Firm* — Banner & Witcoff, Ltd.

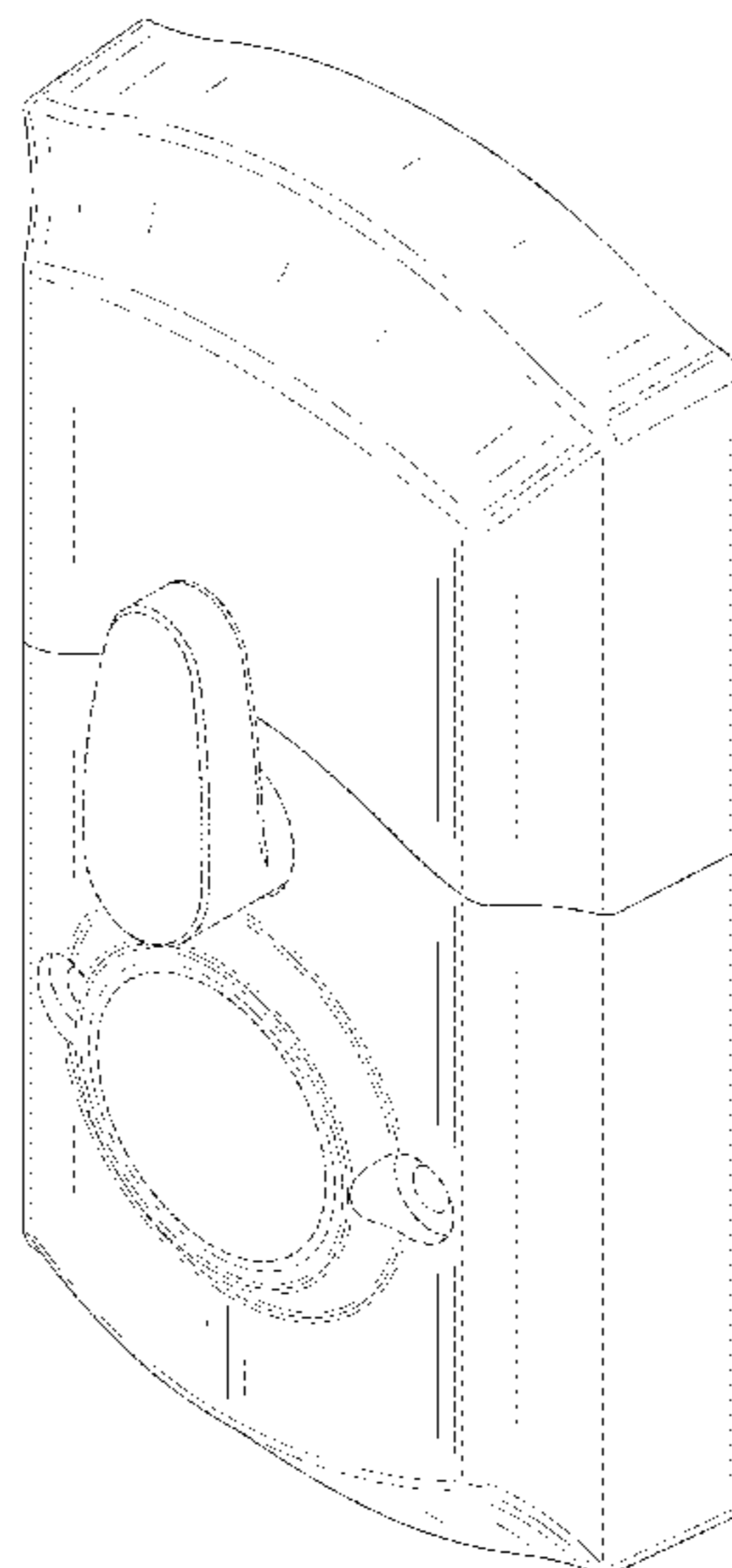
(57) **CLAIM**

The ornamental design for a lock, as shown and described.

**DESCRIPTION**

FIG. 1 is a front perspective view of a lock showing our new design;  
FIG. 2 is a front view thereof;  
FIG. 3 is a left side view thereof;  
FIG. 4 is a right side view thereof;  
FIG. 5 is a top view thereof; and,  
FIG. 6 is a bottom view thereof.  
The broken lines depicting the remainder of the lock show features that form no part of the claimed design.

**1 Claim, 6 Drawing Sheets**



(56)

**References Cited**

## U.S. PATENT DOCUMENTS

D737,657	S	*	9/2015	Nadgouda	.....	D8/331
D737,661	S	*	9/2015	Chan	.....	D8/330
D738,186	S	*	9/2015	Nadgouda	.....	D8/331
D755,036	S	*	5/2016	Lu	.....	D8/331
D756,196	S	*	5/2016	Huang	.....	D8/330
D756,748	S	*	5/2016	Lu	.....	D8/331
D760,062	S	*	6/2016	Groleski	.....	D8/331
D761,079	S	*	7/2016	Groleski	.....	D8/331
D761,082	S	*	7/2016	Lu	.....	D8/331
D767,365	S	*	9/2016	Yu	.....	D8/330
D767,972	S	*	10/2016	Huang	.....	D8/330
D768,463	S	*	10/2016	Kraus	.....	D8/330
D773,281	S	*	12/2016	Meyerhoffer	.....	D8/331
D774,875	S	*	12/2016	Yu	.....	D8/353
D778,138	S	*	2/2017	Meyerhoffer	.....	D8/334
D782,284	S	*	3/2017	Chiang	.....	D8/331
D790,319	S	*	6/2017	Schneider	.....	D8/331
D790,320	S	*	6/2017	Schneider	.....	D8/331
D790,321	S	*	6/2017	Hsu	.....	D8/331
D790,950	S	*	7/2017	Kraus	.....	D8/330
D791,569	S	*	7/2017	Chen	.....	D8/331
D802,397	S	*	11/2017	Schneider	.....	D8/331
D812,448	S	*	3/2018	Schneider	.....	D8/331

\* cited by examiner

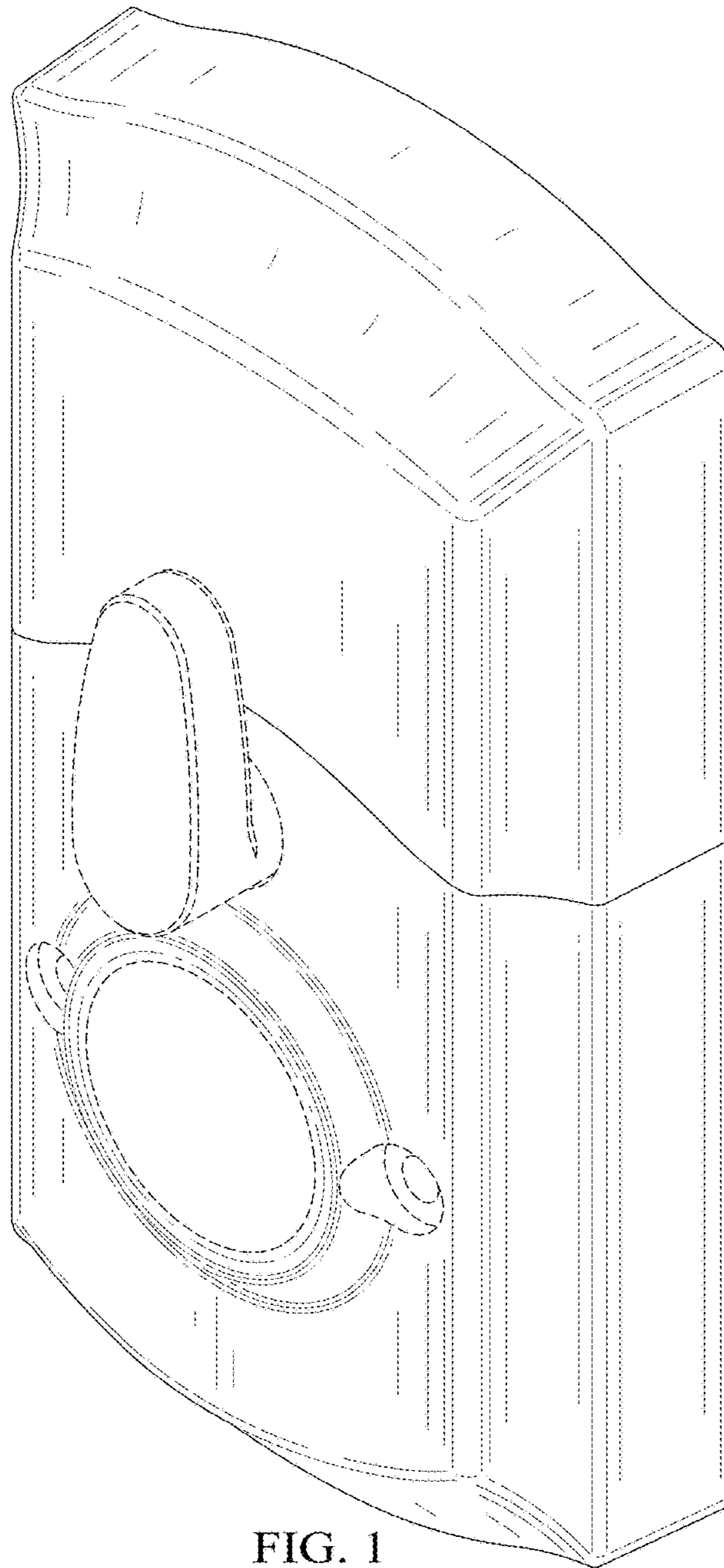


FIG. 1

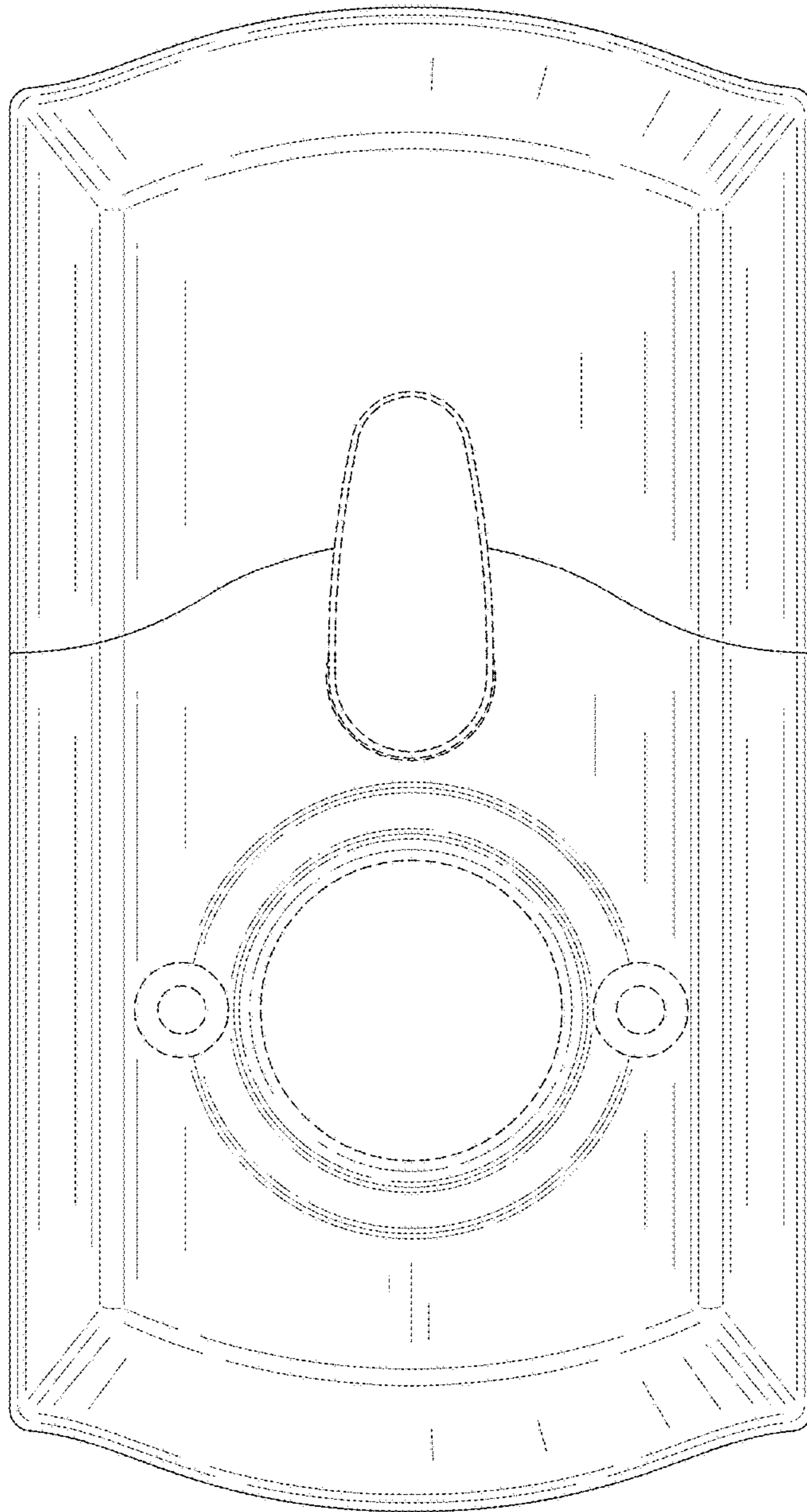


FIG. 2

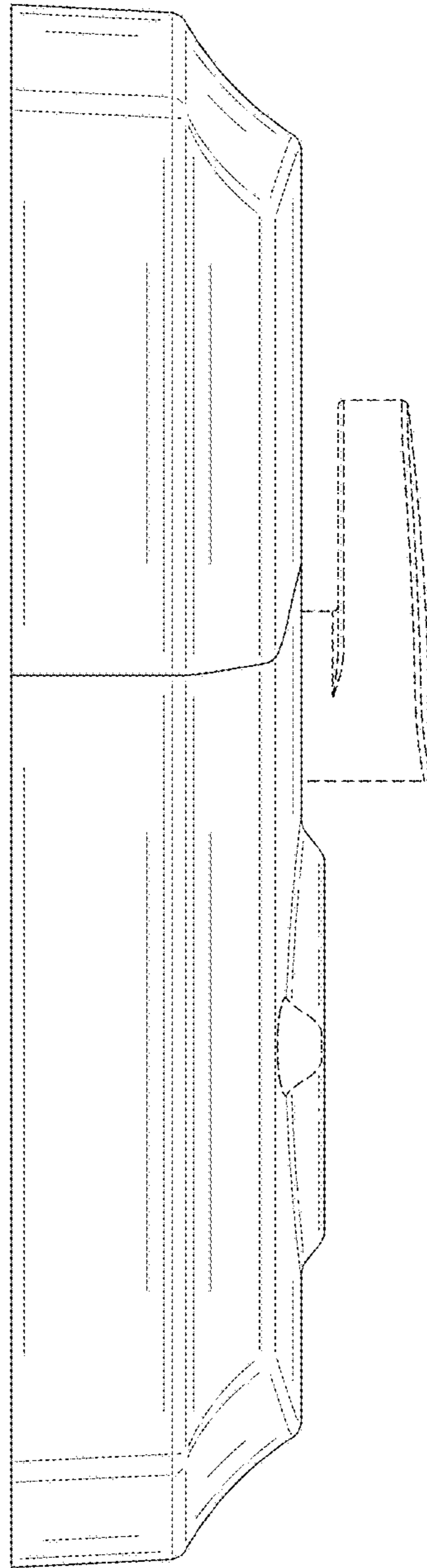


FIG. 3

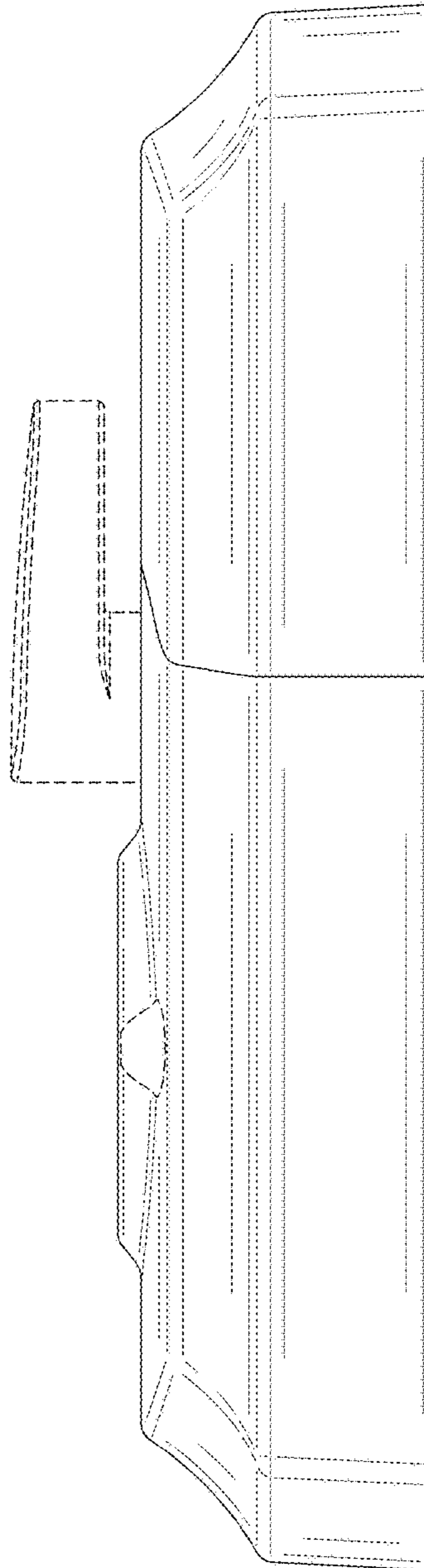


FIG. 4

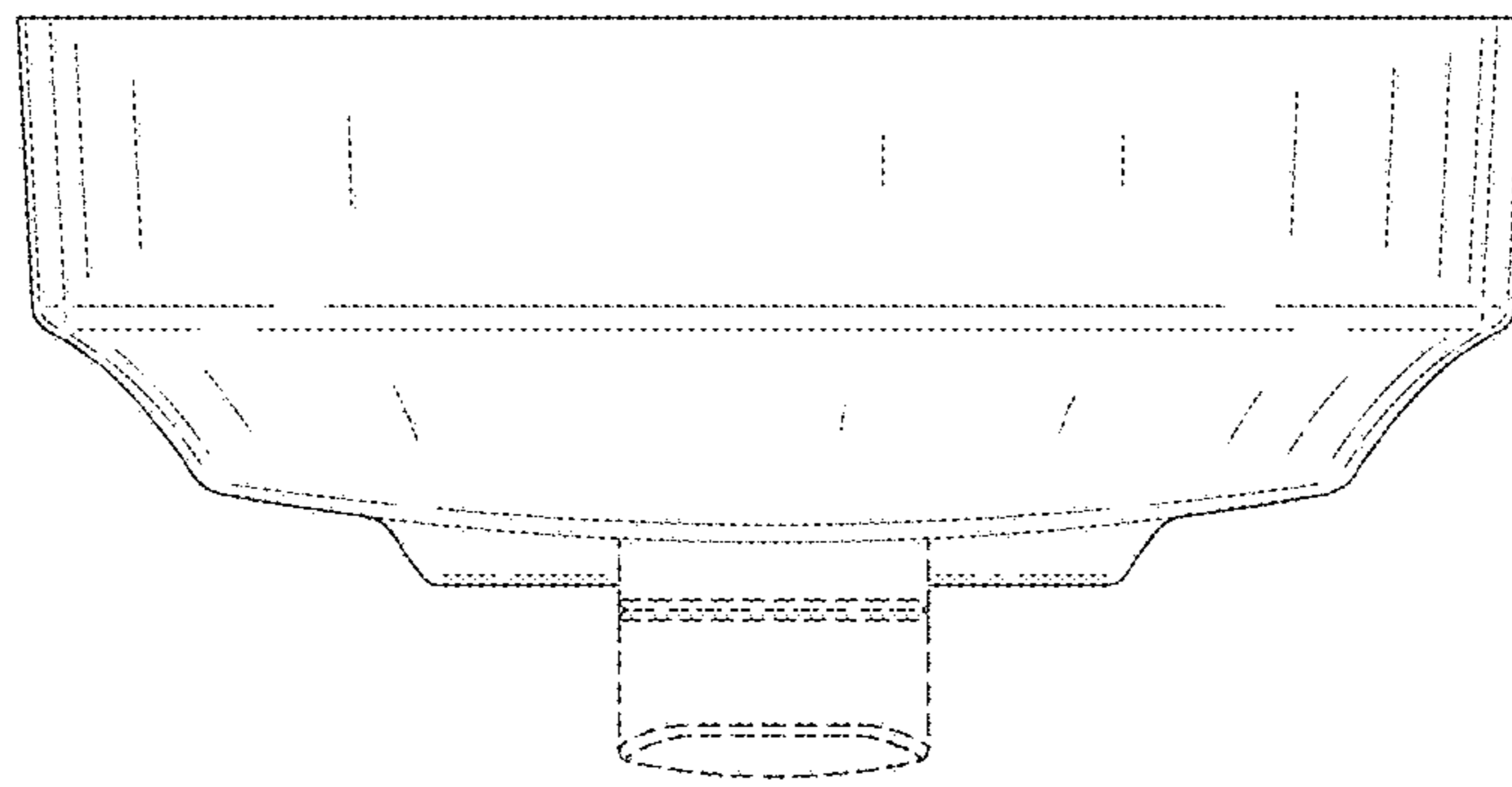


FIG. 5

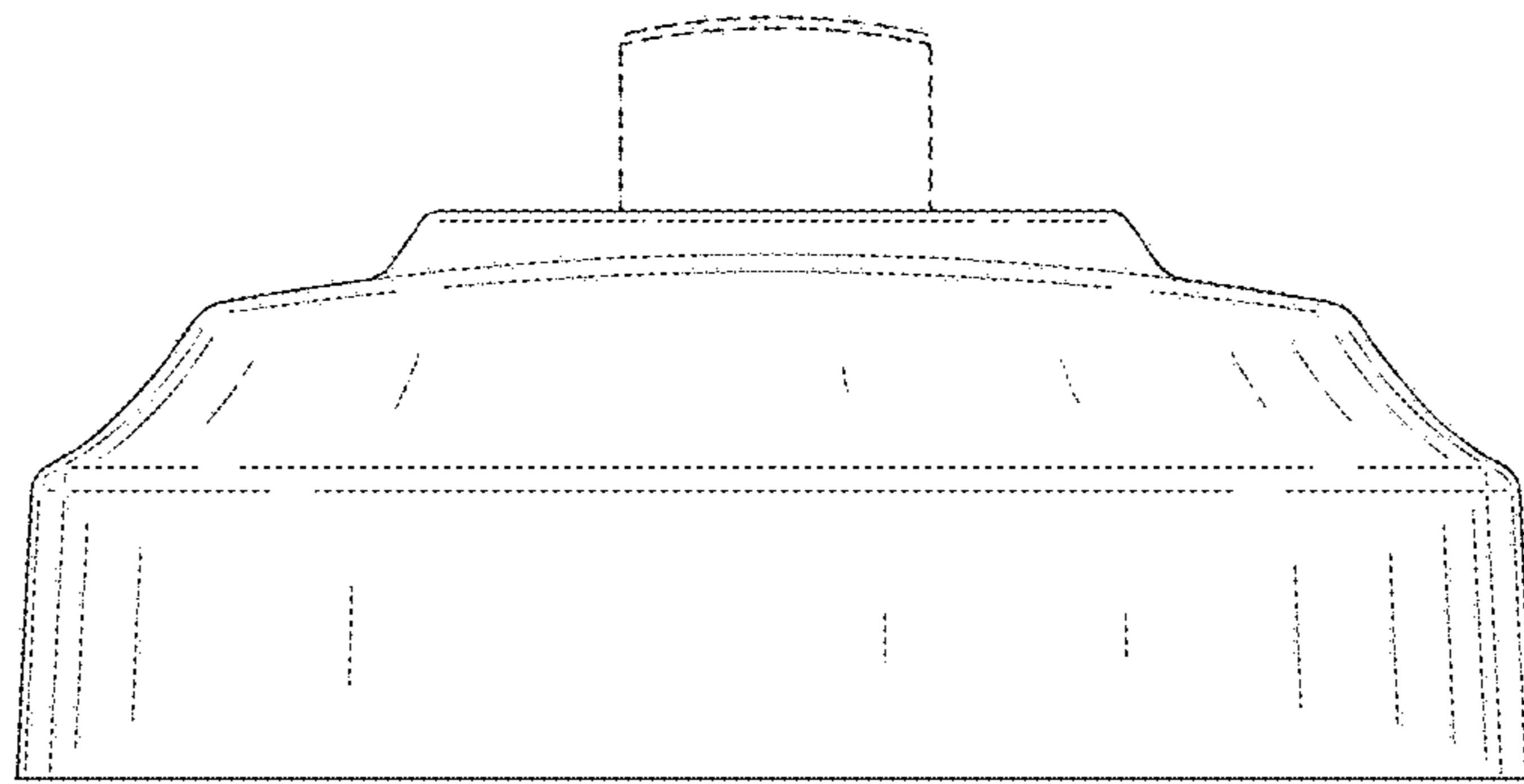


FIG. 6