



US00D861461S

(12) **United States Design Patent**
Gao

(10) **Patent No.:** **US D861,461 S**

(45) **Date of Patent:** **** Oct. 1, 2019**

- (54) **BRUSHED WALL PLATE**
- (71) Applicant: **Zhongshan Ruisu electronics Co. Ltd.**, Zhongshan (CN)
- (72) Inventor: **Qikui Gao**, Bozhou (CN)
- (73) Assignee: **Zhongshan Ruisu electronics Co. Ltd.**, Zhongshan (CN)
- (**) Term: **15 Years**
- (21) Appl. No.: **29/657,223**
- (22) Filed: **Jul. 20, 2018**
- (51) **LOC (12) Cl.** **11-05**
- (52) **U.S. Cl.**
USPC **D8/353**
- (58) **Field of Classification Search**
USPC D8/350, 353; D13/139.1–139.8, 146, D13/147, 152, 154, 156, 158, 169, 171, D13/173, 17, 184
CPC .. H01R 24/78; H01R 2103/00; H01R 13/665; H01R 13/717; H01R 25/006; H02G 3/081; H02G 3/18; H02G 3/14; H02G 3/123; F21Y 2115/10; F21Y 2101/00; F21V 33/006; F21V 33/00; F21S 8/035; H05B 33/0803; H05B 33/0809; H05B 33/0812; H05B 33/06; H05B 33/02; H01H 9/18; H01H 9/182; Y02B 20/343
See application file for complete search history.

| | | | | |
|-------------------|---------|----------|-------|----------------------|
| D573,005 S * | 7/2008 | Huang | | D8/353 |
| 7,786,380 B2 * | 8/2010 | Anderson | | H02G 3/14 174/66 |
| D644,914 S * | 9/2011 | Hoffman | | D8/353 |
| D804,287 S * | 12/2017 | Baldwin | | D8/350 |
| D819,426 S * | 6/2018 | Smith | | D8/353 |
| D849,512 S * | 5/2019 | Knight | | D8/353 |
| 2006/0072302 A1 * | 4/2006 | Chien | | F21S 8/035 362/84 |
| 2017/0222414 A1 * | 8/2017 | Smith | | H02G 3/14 |
| 2017/0222417 A1 * | 8/2017 | Smith | | H02G 3/14 |

* cited by examiner

Primary Examiner — Janice Hallmark

Assistant Examiner — Harold E Blackwell, II

(74) *Attorney, Agent, or Firm* — Gokalp Bayramoglu

(56) **References Cited**
U.S. PATENT DOCUMENTS

- 5,683,166 A * 11/1997 Lutzker H05B 33/06
250/466.1
- D387,650 S * 12/1997 Lutzker D8/353

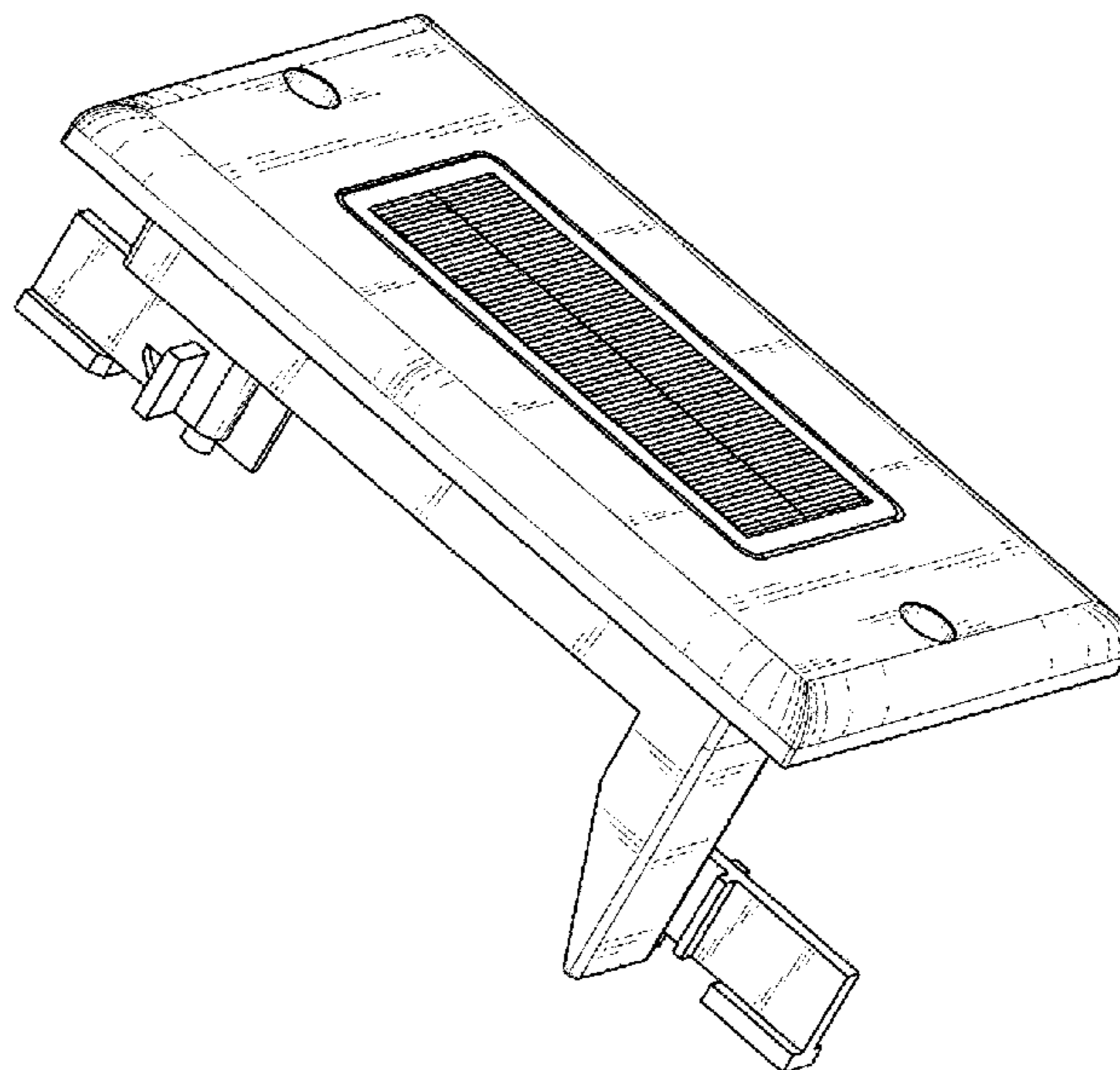
(57) **CLAIM**

The ornamental design for brushed wall plate, as shown and described.

DESCRIPTION

FIG. 1 is a perspective view of a brushed wall plate, showing our new design;
 FIG. 2 is a front view thereof;
 FIG. 3 is a back view thereof;
 FIG. 4 is a right view thereof;
 FIG. 5 is a left view thereof;
 FIG. 6 is a top view thereof;
 FIG. 7 is a bottom view thereof; and,
 FIG. 8 is another perspective view thereof.

1 Claim, 8 Drawing Sheets



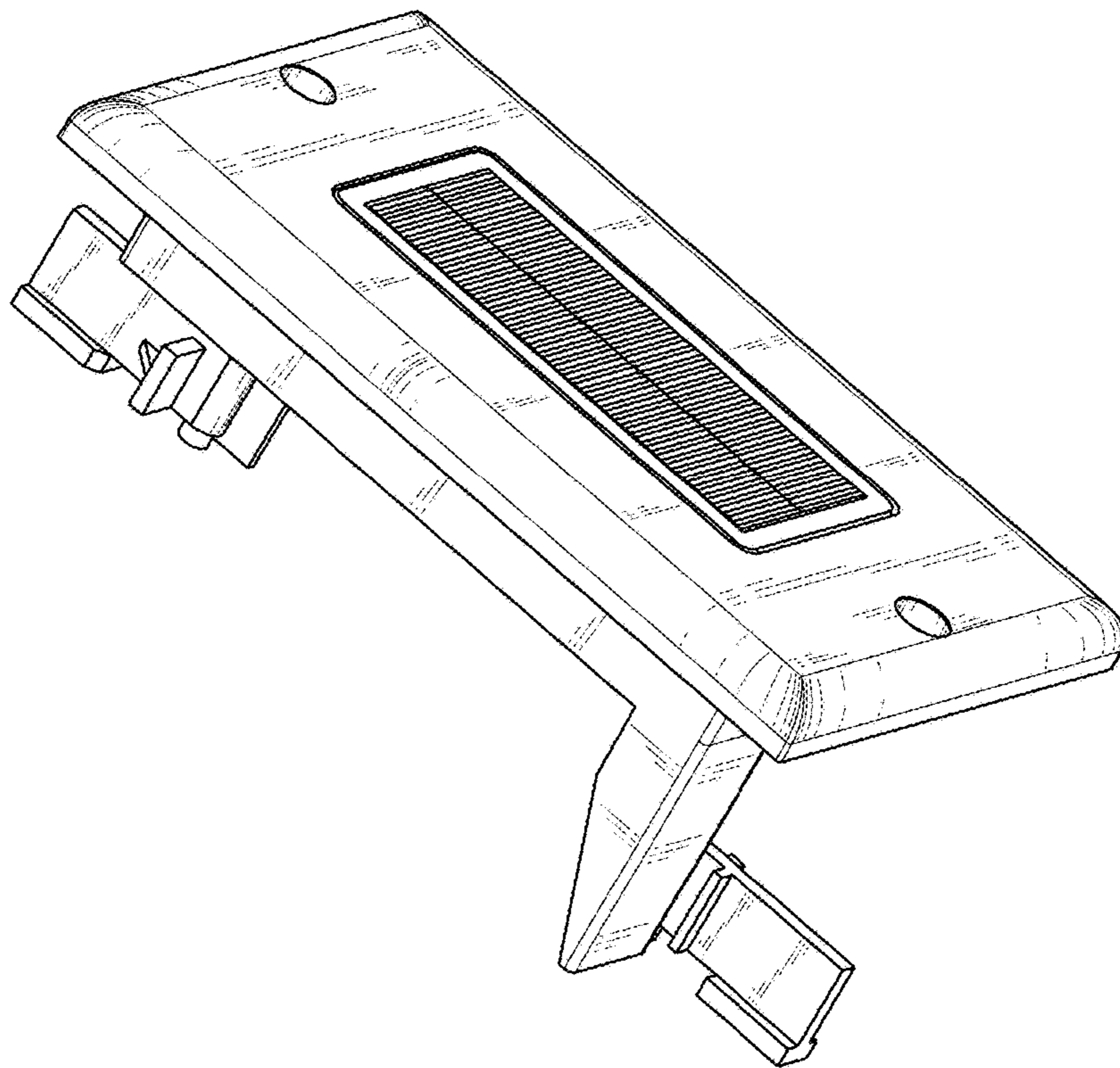


FIG. 1

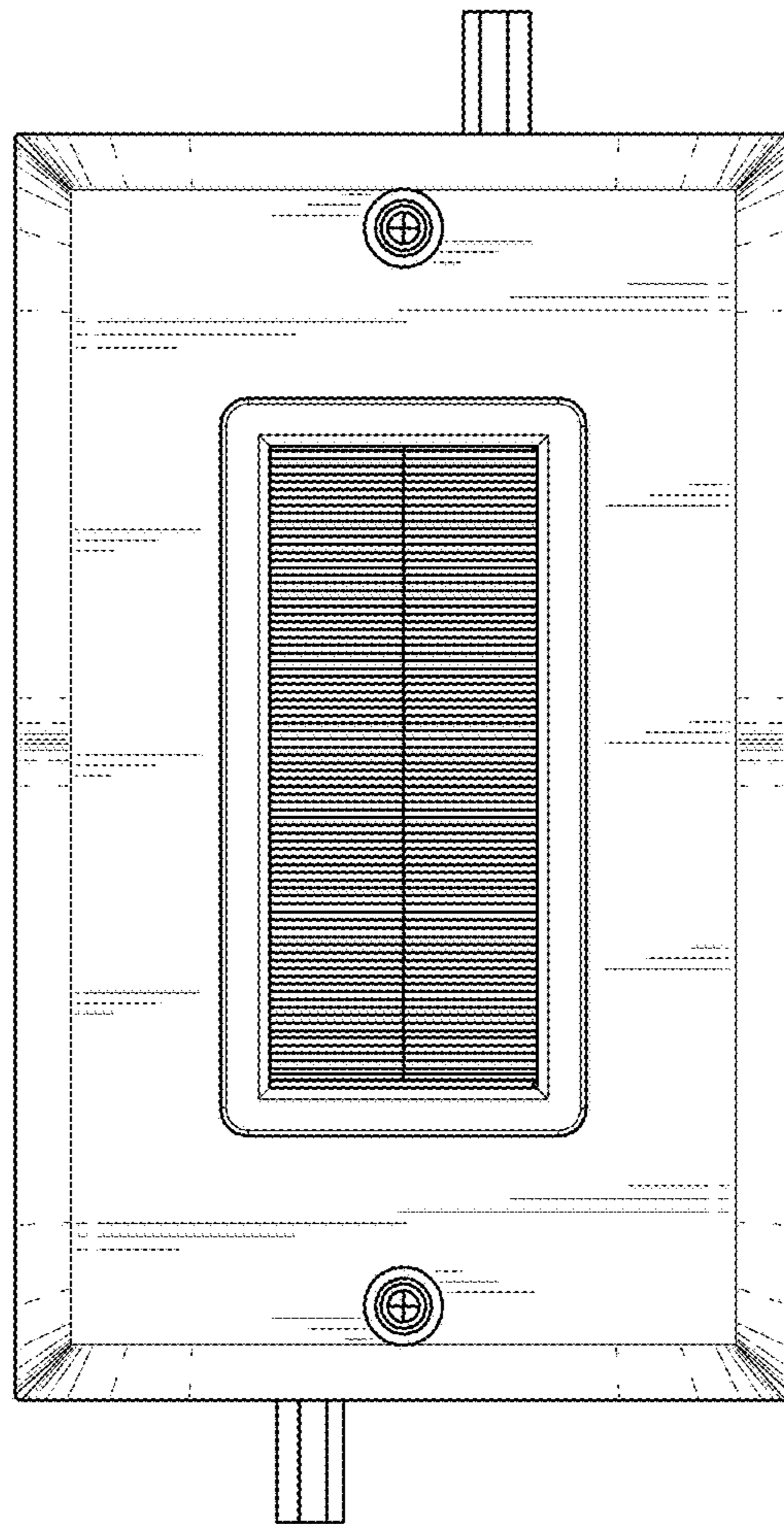


FIG. 2

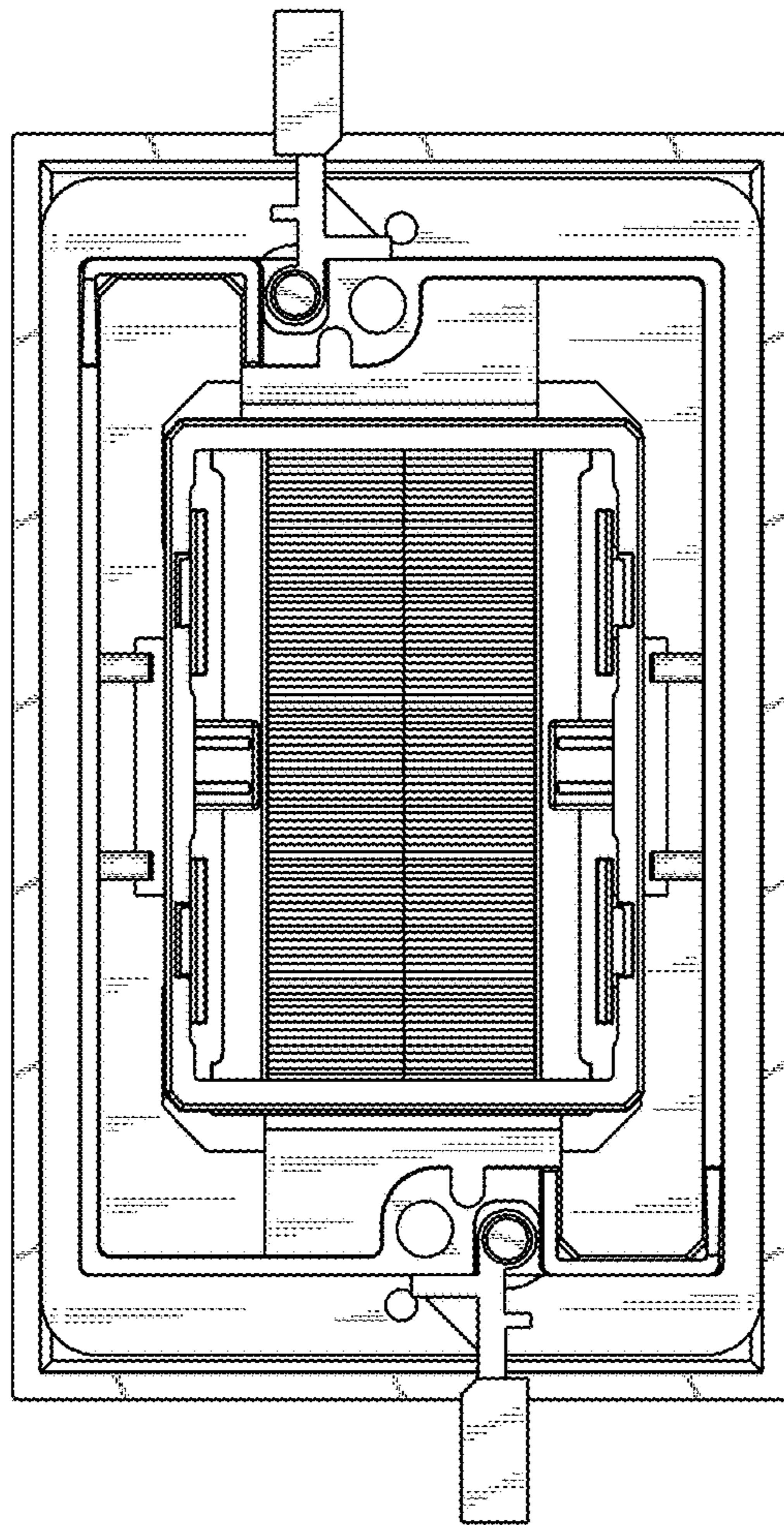


FIG. 3

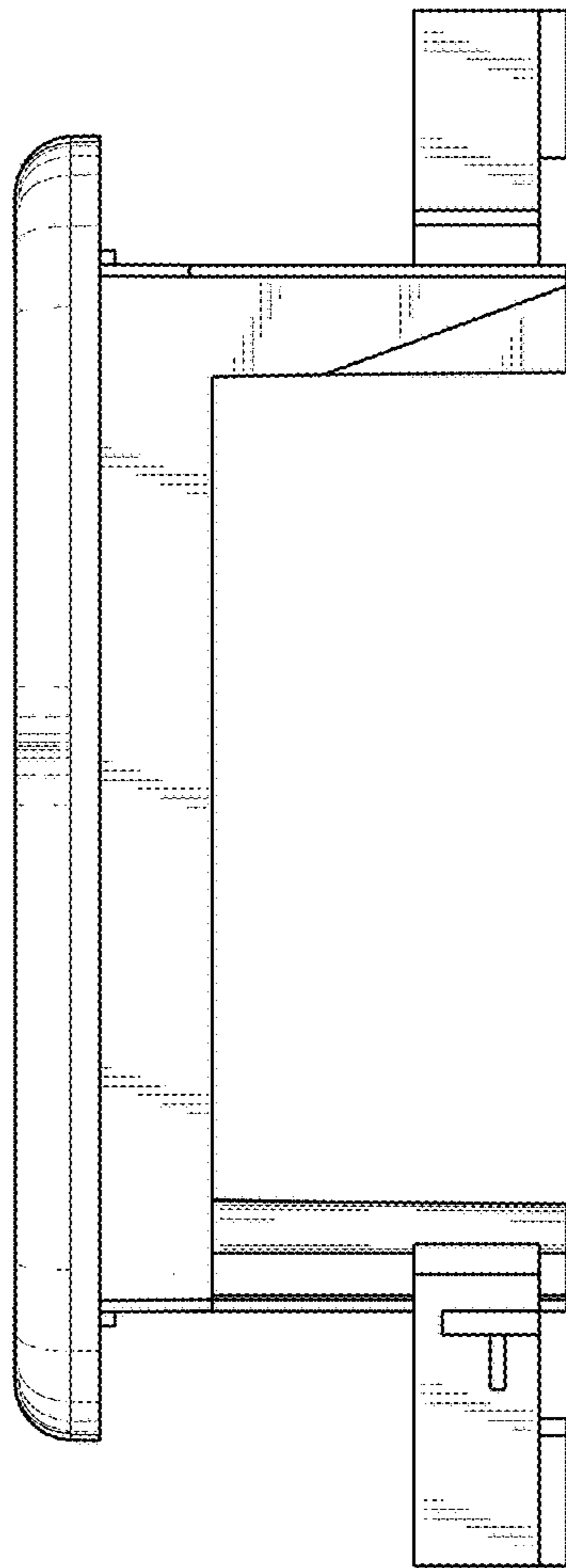


FIG. 4

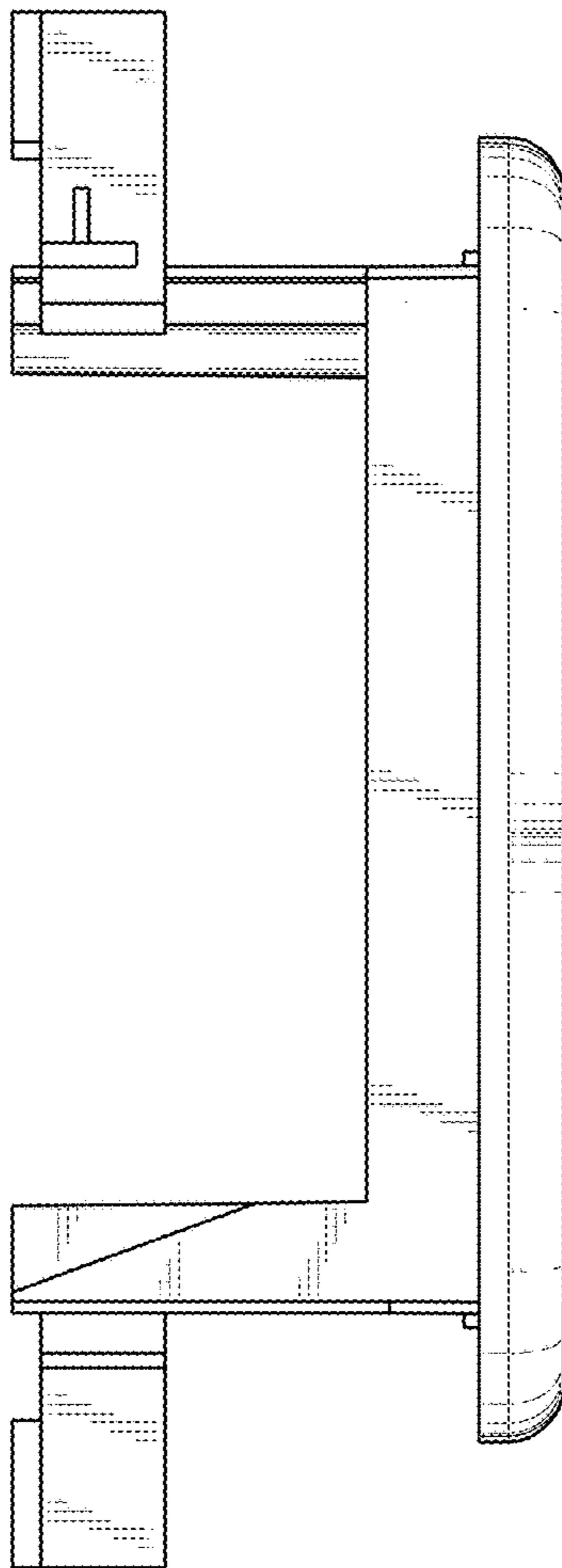


FIG. 5

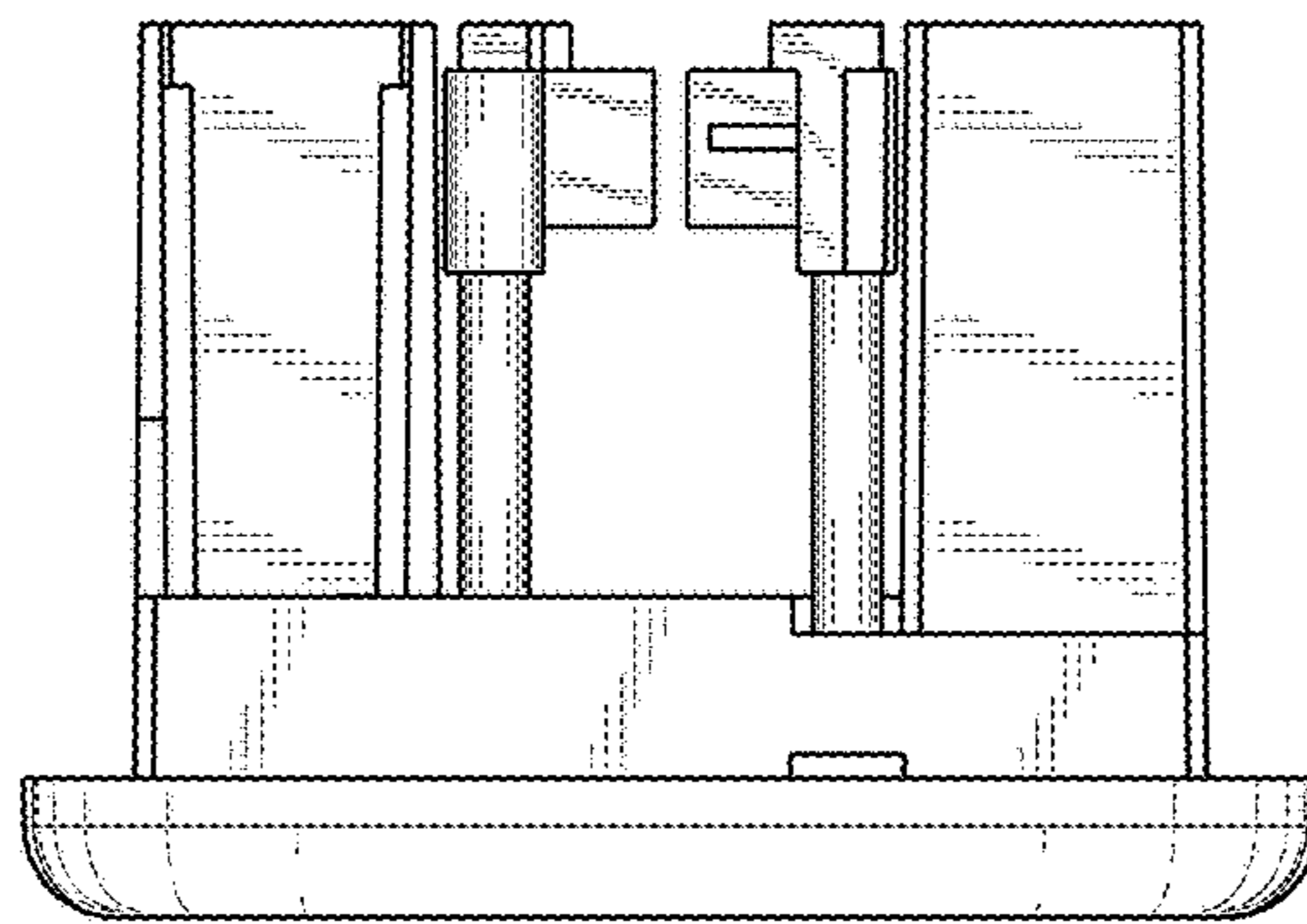


FIG. 6

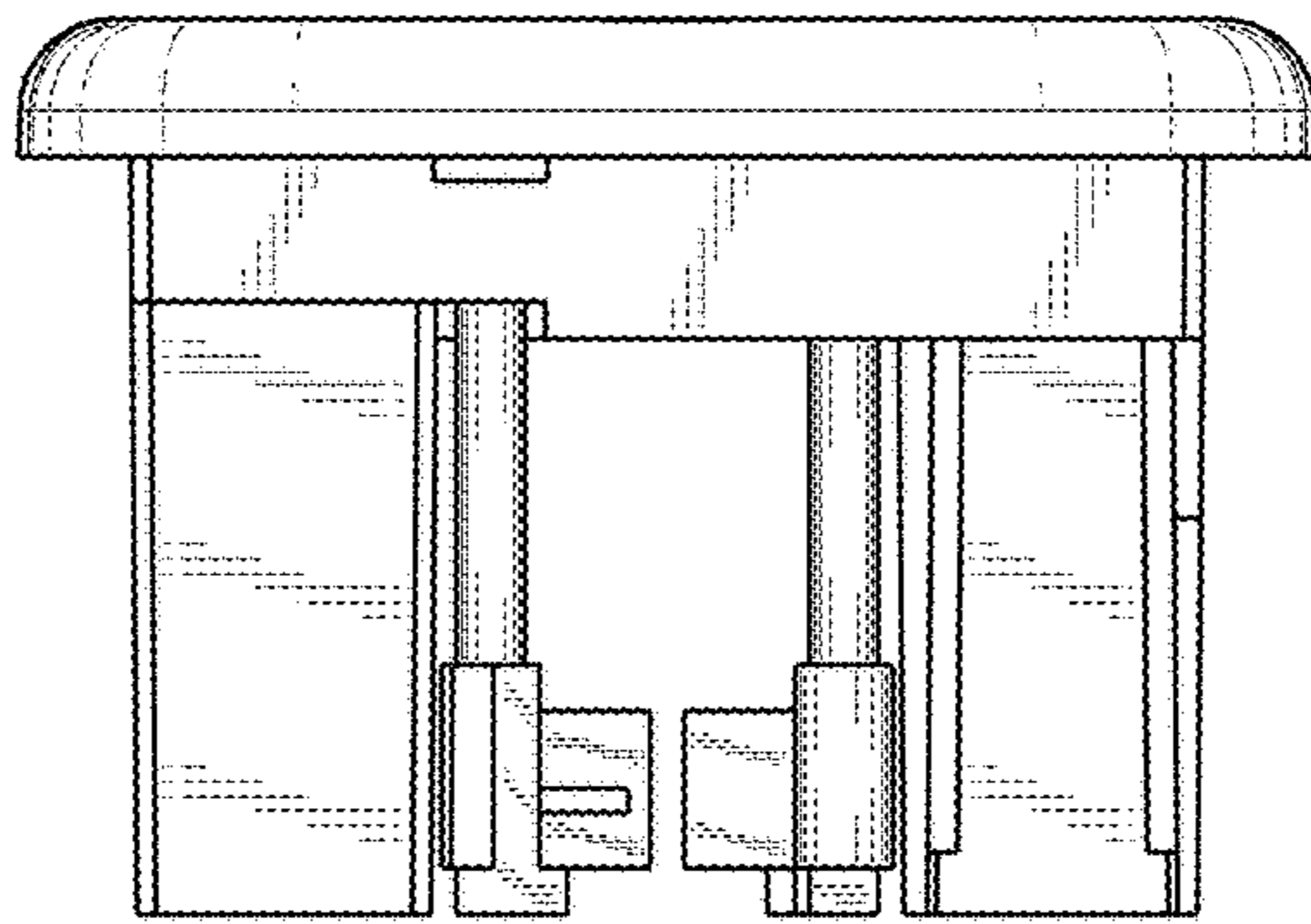


FIG. 7

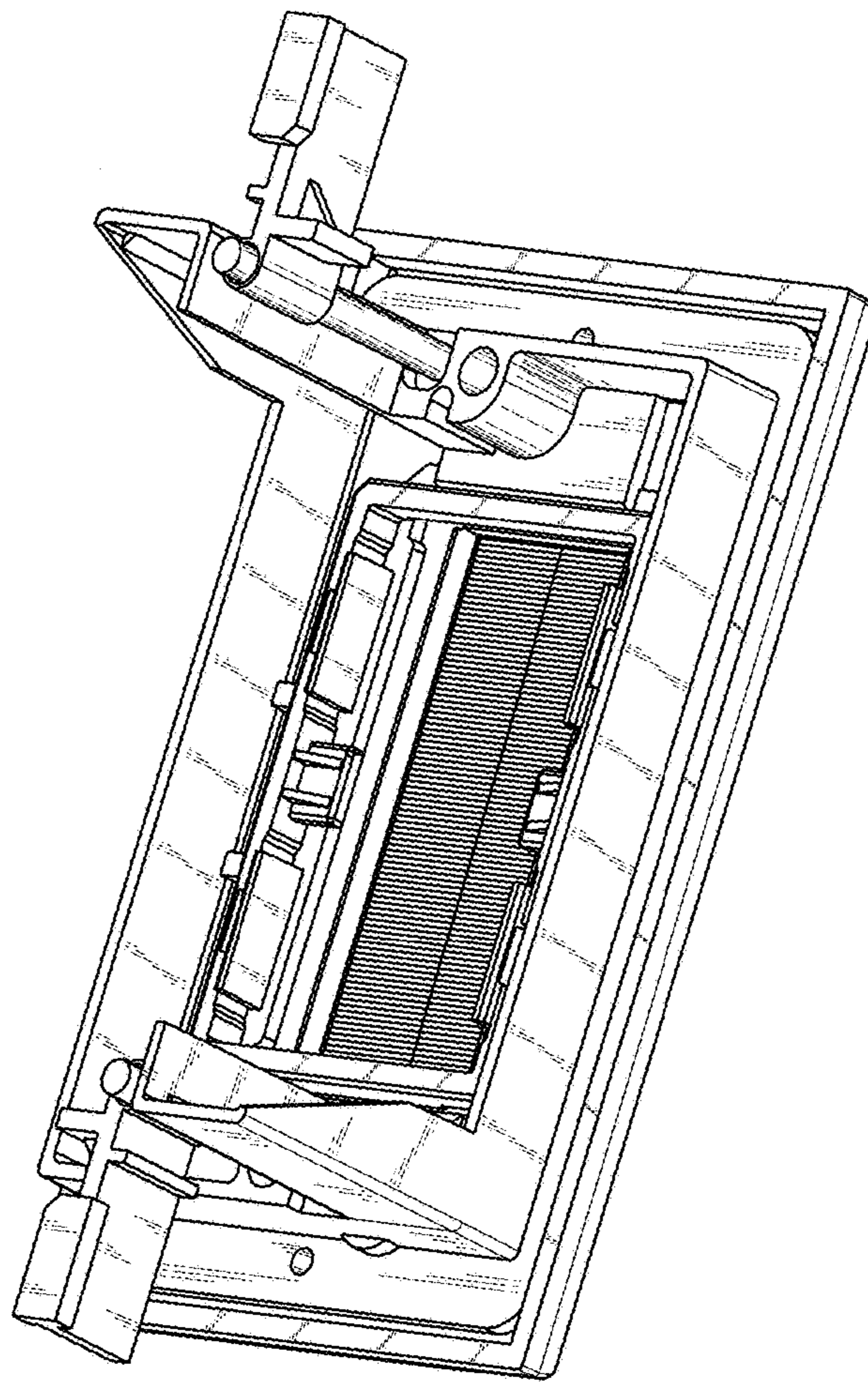


FIG. 8