



US00D861456S

(12) **United States Design Patent**
Sandoval

(10) **Patent No.:** **US D861,456 S**
(45) **Date of Patent:** **** Oct. 1, 2019**

- (54) **HINGE COVER**
- (71) Applicant: **Guido Sandoval**, North Charleston, SC (US)
- (72) Inventor: **Guido Sandoval**, North Charleston, SC (US)
- (**) Term: **15 Years**
- (21) Appl. No.: **29/679,536**
- (22) Filed: **Feb. 7, 2019**

- 4,921,028 A 5/1990 Schwartz
- 5,056,191 A * 10/1991 Love B05B 12/24
16/251
- 5,113,921 A * 5/1992 Pool B05B 12/24
156/71
- 5,198,031 A 3/1993 Derstine
- 5,224,240 A 7/1993 Smith et al.
- 5,432,979 A 7/1995 Harper
- D361,021 S * 8/1995 Harper D8/14
- 5,722,120 A 3/1998 Bindschatel et al.
- 5,882,788 A 3/1999 Raley
- D409,522 S * 5/1999 Satterfield D11/200
- 6,165,269 A 12/2000 Kathe
- 6,248,173 B1 6/2001 Dixon
- 6,317,925 B1 * 11/2001 Pietryga E05D 3/127
16/250
- 6,555,169 B2 4/2003 Lynch
- 6,579,587 B2 * 6/2003 Schnoebelen, Jr. B32B 1/04
428/40.1
- D491,046 S * 6/2004 Johnson D8/356

Related U.S. Application Data

- (63) Continuation-in-part of application No. 14/837,137, filed on Aug. 27, 2015.
- (51) **LOC (12) Cl.** **08-06**
- (52) **U.S. Cl.**
USPC **D8/323**
- (58) **Field of Classification Search**
USPC D8/323, 327, 328, 329; 16/250, 251
CPC E05D 5/12; E05D 51/02; E05D 11/082;
E05D 11/0054; B64G 1/222; E05B 12/24;
E05B 13/0292
See application file for complete search history.

Primary Examiner — Cynthia R Underwood
(74) *Attorney, Agent, or Firm* — Global Intellectual Property Agency, LLC; Daniel Boudwin

(57) **CLAIM**

The ornamental design for a hinge cover, as shown and described.

(56) **References Cited**

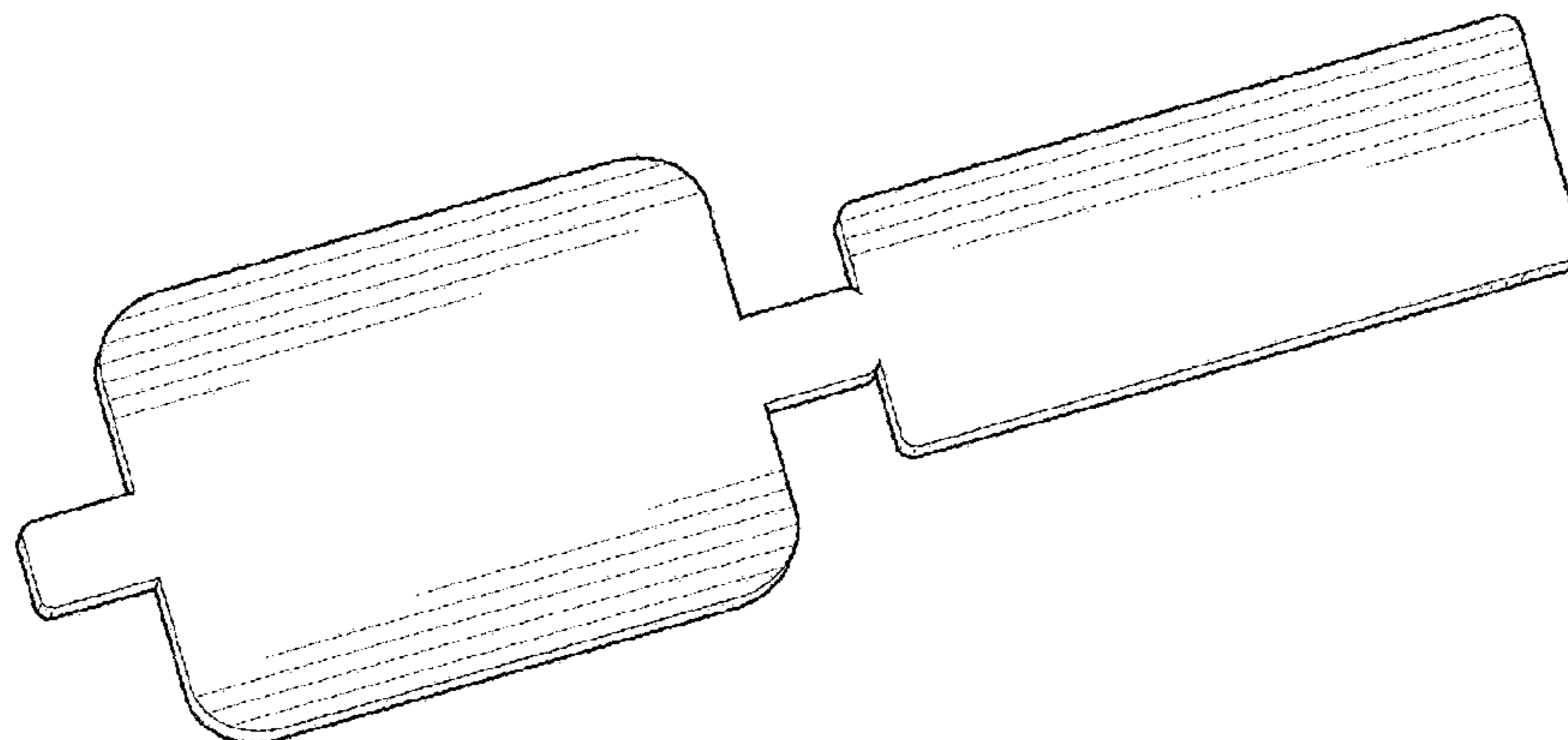
U.S. PATENT DOCUMENTS

- 2,050,045 A * 8/1936 Eden, Jr. B21K 13/02
16/250
- 3,961,602 A 6/1976 Dresser
- D246,346 S * 11/1977 Strunk D8/354
- 4,129,669 A 12/1978 Lopez
- 4,195,590 A 4/1980 Herrington
- 4,570,291 A 2/1986 Smith et al.
- D291,406 S * 8/1987 McNeese D8/323
- 4,691,409 A 9/1987 Torgerson et al.
- 4,796,330 A 1/1989 Ziegler
- 4,856,141 A 8/1989 Sassenberg

DESCRIPTION

FIG. 1 depicts a perspective view of a hinge cover.
FIG. 2 depicts a left elevated view of the hinge cover.
FIG. 3 depicts a right elevated view of the hinge cover.
FIG. 4 depicts a top elevated view of the hinge cover.
FIG. 5 depicts a bottom elevated view of the hinge cover.
FIG. 6 depicts a rear elevated view of the hinge cover; and,
FIG. 7 depicts a front elevated view of the hinge cover.
The shade lines in the Figures show contour and not surface ornamentation.

1 Claim, 2 Drawing Sheets



(56)

References Cited

U.S. PATENT DOCUMENTS

6,745,435 B2	6/2004	Bowers	9,601,880 B2 *	3/2017	Rynaski	H01R 13/72
6,854,162 B2	2/2005	Emerson et al.	D813,016 S *	3/2018	Deneau	D8/356
6,883,205 B2	4/2005	Martinez-Munoz	10,104,790 B2 *	10/2018	Lee	E05D 11/0054
D565,401 S *	4/2008	Grady	10,120,421 B1 *	11/2018	Hong	G06F 1/1681
D599,196 S *	9/2009	Ruffin	2001/0013277 A1 *	8/2001	Galkiewicz	A44B 18/0053
7,624,480 B2 *	12/2009	Coronel				100/2
			2001/0036540 A1	11/2001	Pringle et al.	
7,638,015 B2 *	12/2009	Schnoebelen, Jr.	2002/0004133 A1	1/2002	Nakib	
			2004/0013871 A1	1/2004	Pannell	
D630,328 S *	1/2011	Fishburne, Jr.	2005/0081333 A1	4/2005	Emerson et al.	
7,922,844 B2	4/2011	Schivley	2005/0161249 A1 *	7/2005	McBain	H01R 13/443
8,203,077 B2 *	6/2012	Honeycutt				174/135
			2006/0032032 A1 *	2/2006	Cheng	F16L 3/23
D666,722 S *	9/2012	Dragan				24/306
8,585,167 B2	11/2013	Takahashi et al.	2007/0084013 A1	4/2007	Henrich	
8,978,205 B2 *	3/2015	Kim	2007/0172618 A1	7/2007	Schivley	
			2008/0244867 A1	10/2008	Tuell	
D756,073 S *	5/2016	Mahoney	2010/0304324 A1 *	12/2010	Dragan	A61B 1/247
9,340,341 B2 *	5/2016	Farrell				433/31
			2015/0074944 A1	3/2015	Tung	
			2017/0246632 A1 *	8/2017	Slepian	B01L 3/502746

* cited by examiner

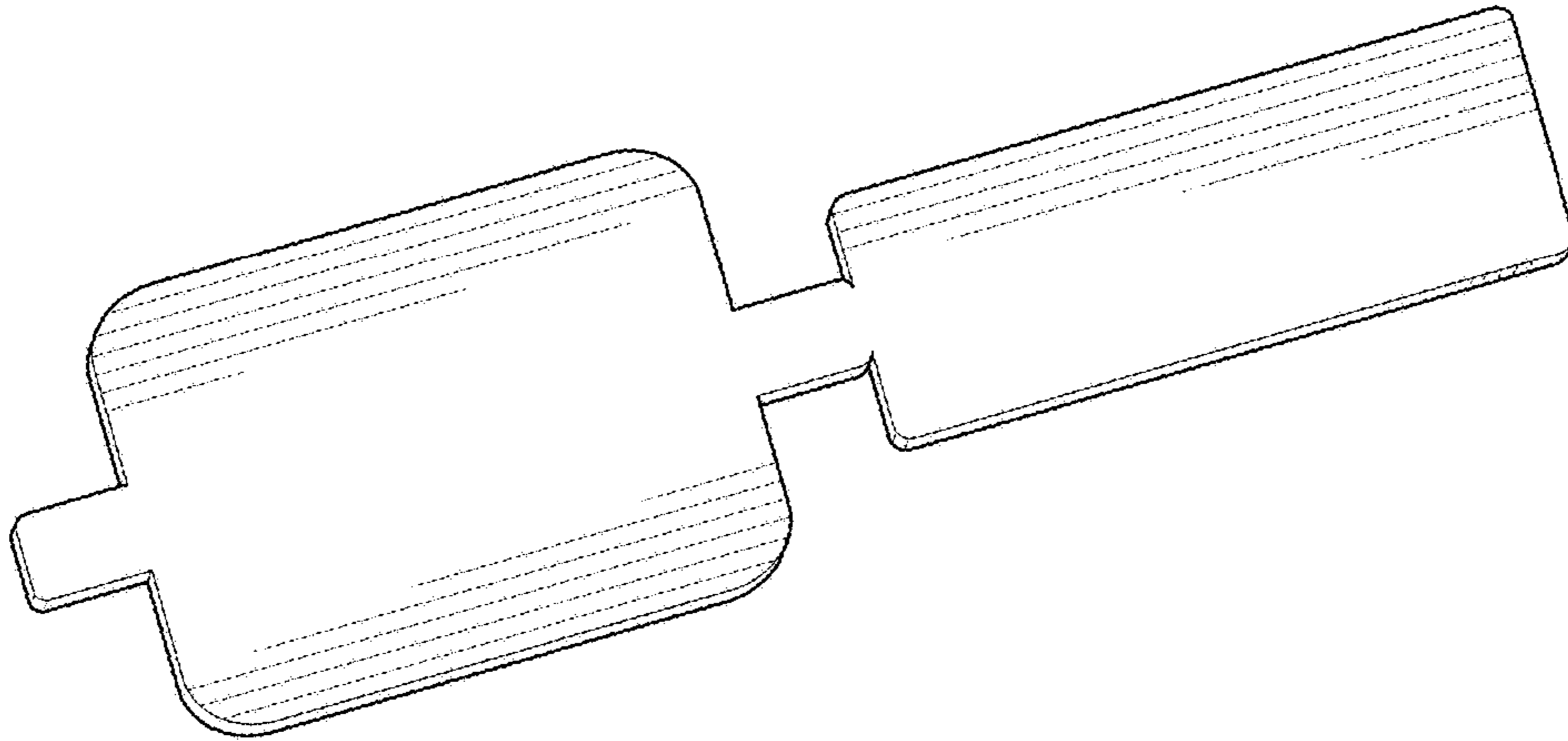


FIG. 1

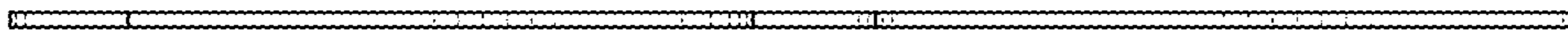


FIG. 2



FIG. 3

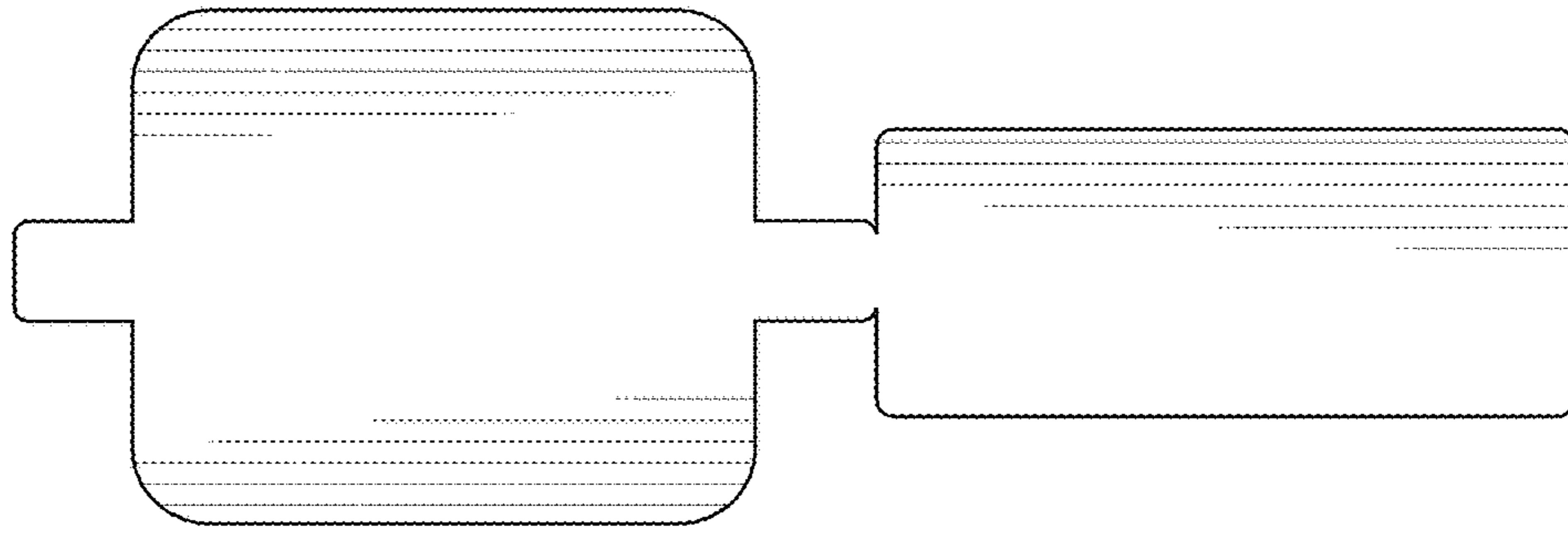


FIG. 4

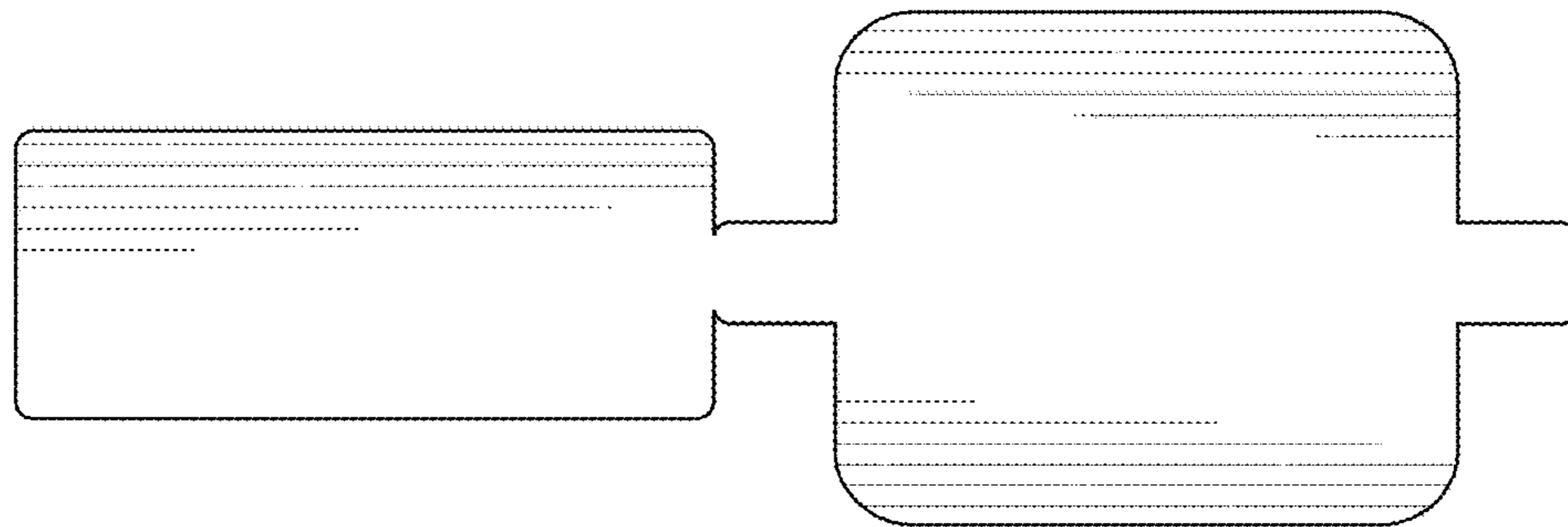


FIG. 5

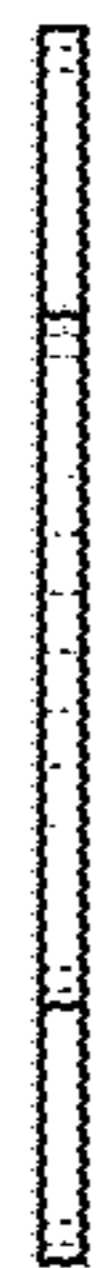


FIG. 6

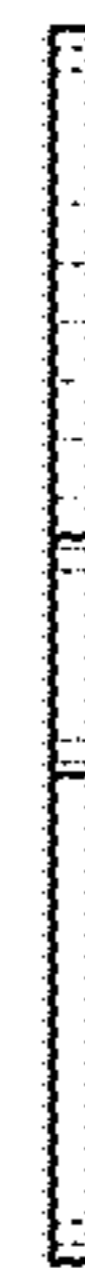


FIG. 7