



US00D861452S

(12) **United States Design Patent**  
**Cooper et al.**

(10) **Patent No.:** **US D861,452 S**  
(45) **Date of Patent:** **\*\* Oct. 1, 2019**

(54) **CIRCULAR SAW**

(71) Applicant: **BLACK & DECKER INC.**, New Britain, CT (US)

(72) Inventors: **Joseph B. Cooper**, Baltimore, MD (US); **Jason Busschaert**, Bel Air, MD (US); **Robert Schoch**, Baltimore, MD (US); **David Miller**, Aberdeen, MD (US)

(73) Assignee: **Black & Decker Inc.**, New Britain, CT (US)

(\*\*) Term: **15 Years**

(21) Appl. No.: **29/644,991**

(22) Filed: **Apr. 23, 2018**

(51) **LOC (12) Cl.** ..... **08-03**

(52) **U.S. Cl.**  
USPC ..... **D8/66**

(58) **Field of Classification Search**  
USPC .... D8/69, 68, 67, 66, 64, 61, 70; 83/698.41, 83/747, 166.3, 374, 373, 375, 376, 391, 83/377, 390, 388, 389; 125/13.01; 144/218  
CPC .... B27B 9/00; B27B 9/02; B27B 5/02; B27B 5/18; B27B 33/08; B28D 1/04; B28D 1/045; B23D 45/00

See application file for complete search history.

(56) **References Cited**

**U.S. PATENT DOCUMENTS**

D522,833 S \* 6/2006 Kokawa ..... D8/66  
D525,503 S \* 7/2006 Waldron ..... D8/66  
D527,599 S \* 9/2006 Ng ..... D8/66  
D531,473 S \* 11/2006 Lopano ..... D8/66

D555,450 S \* 11/2007 Van Wambeke ..... D8/66  
D568,705 S \* 5/2008 Lopano ..... D8/66  
D653,513 S \* 2/2012 Tirone ..... D8/66  
D654,340 S \* 2/2012 Kawase ..... D8/66  
D703,508 S \* 4/2014 Kawase ..... D8/66  
D710,172 S \* 8/2014 Tschopp ..... D8/66  
D756,738 S \* 5/2016 Itoh ..... D8/66  
D790,304 S \* 6/2017 Waldron ..... D8/66

**OTHER PUBLICATIONS**

Pictures of prior art of Porter—Cable 20v MAX 6-1/2in. Cordless Circular Saw Model PCC660B—<https://www.portercable.com/products/power-tools/saws/circular-saws/20v-max-612-in-cordless-circular-saw-tool-only/pcc660b>—accessed on Aug. 30, 2018.

\* cited by examiner

*Primary Examiner* — Austin Murphy

(74) *Attorney, Agent, or Firm* — Stephen R. Valancius

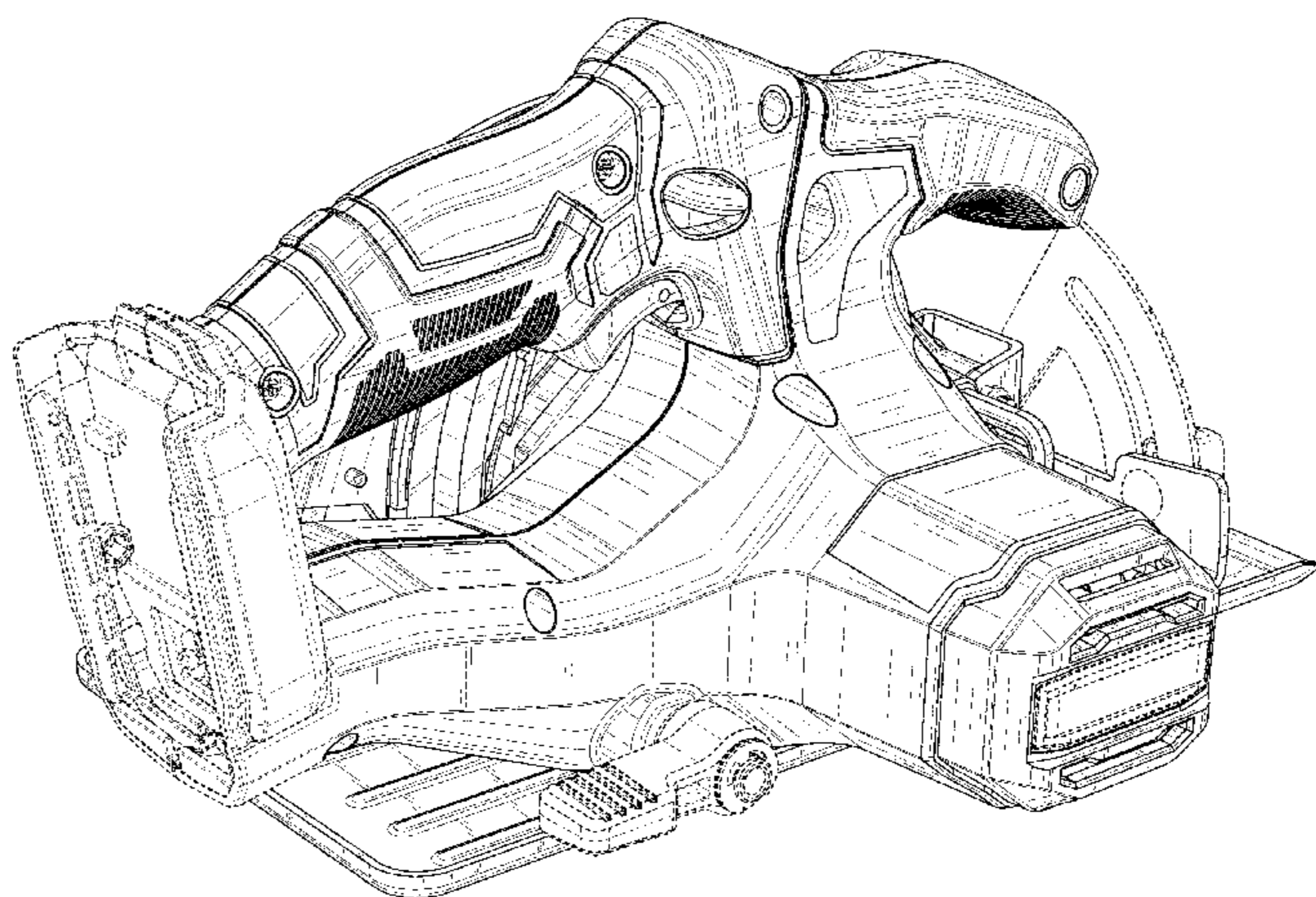
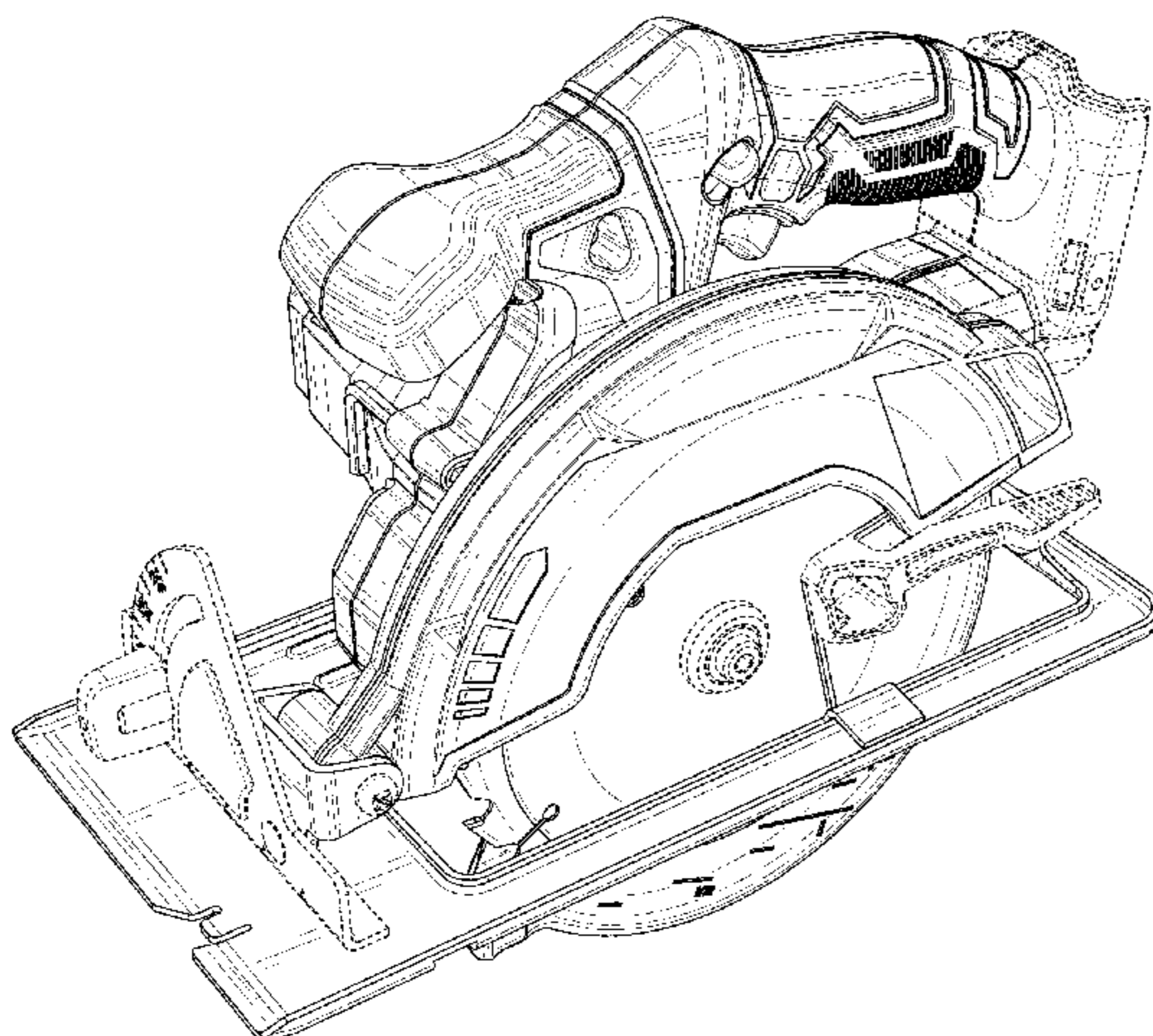
(57) **CLAIM**

The ornamental design for a circular saw, as shown and described.

**DESCRIPTION**

FIG. 1 is a perspective view of a circular saw showing our new design;  
FIG. 2 is another perspective view of a circular saw showing our new design;  
FIG. 3 is a left side view thereof;  
FIG. 4 is a right side view thereof;  
FIG. 5 is a front view thereof  
FIG. 6 is a rear view thereof;  
FIG. 7 is a top plan view thereof; and,  
FIG. 8 is a bottom plan view thereof.  
In the above drawings, the broken lines and the areas within the broken lines form no part of the claimed design.

**1 Claim, 8 Drawing Sheets**



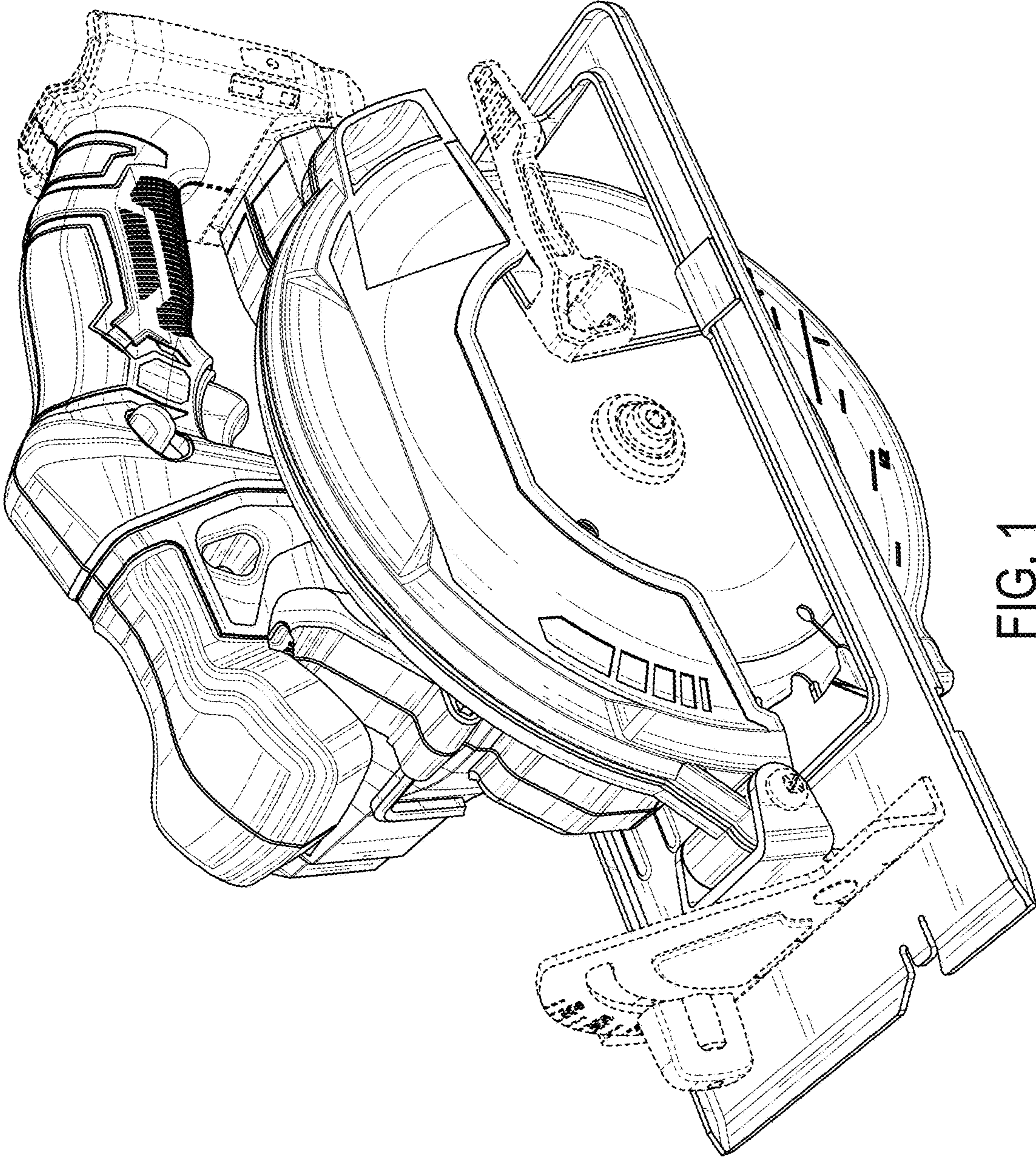


FIG. 1

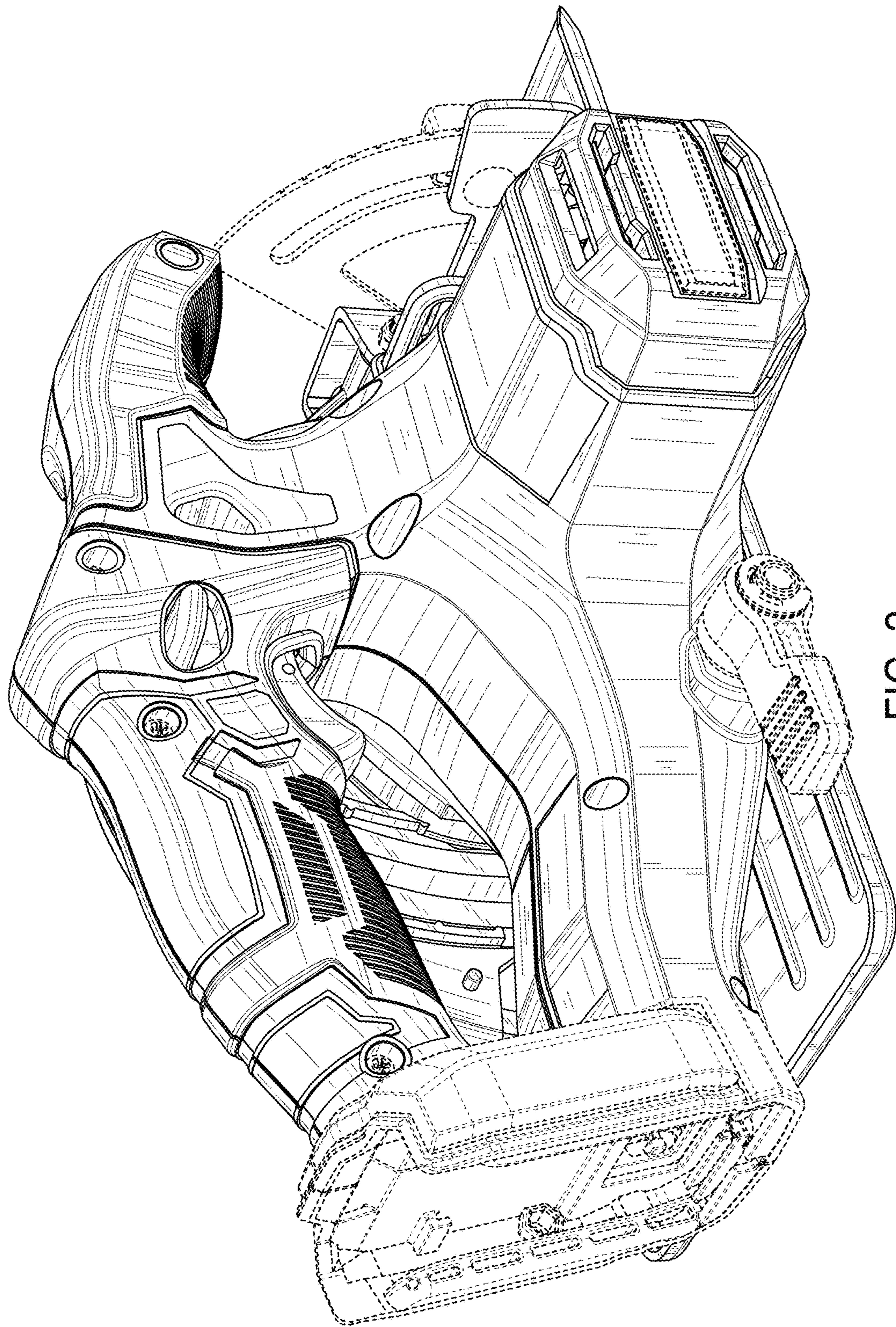


FIG. 2

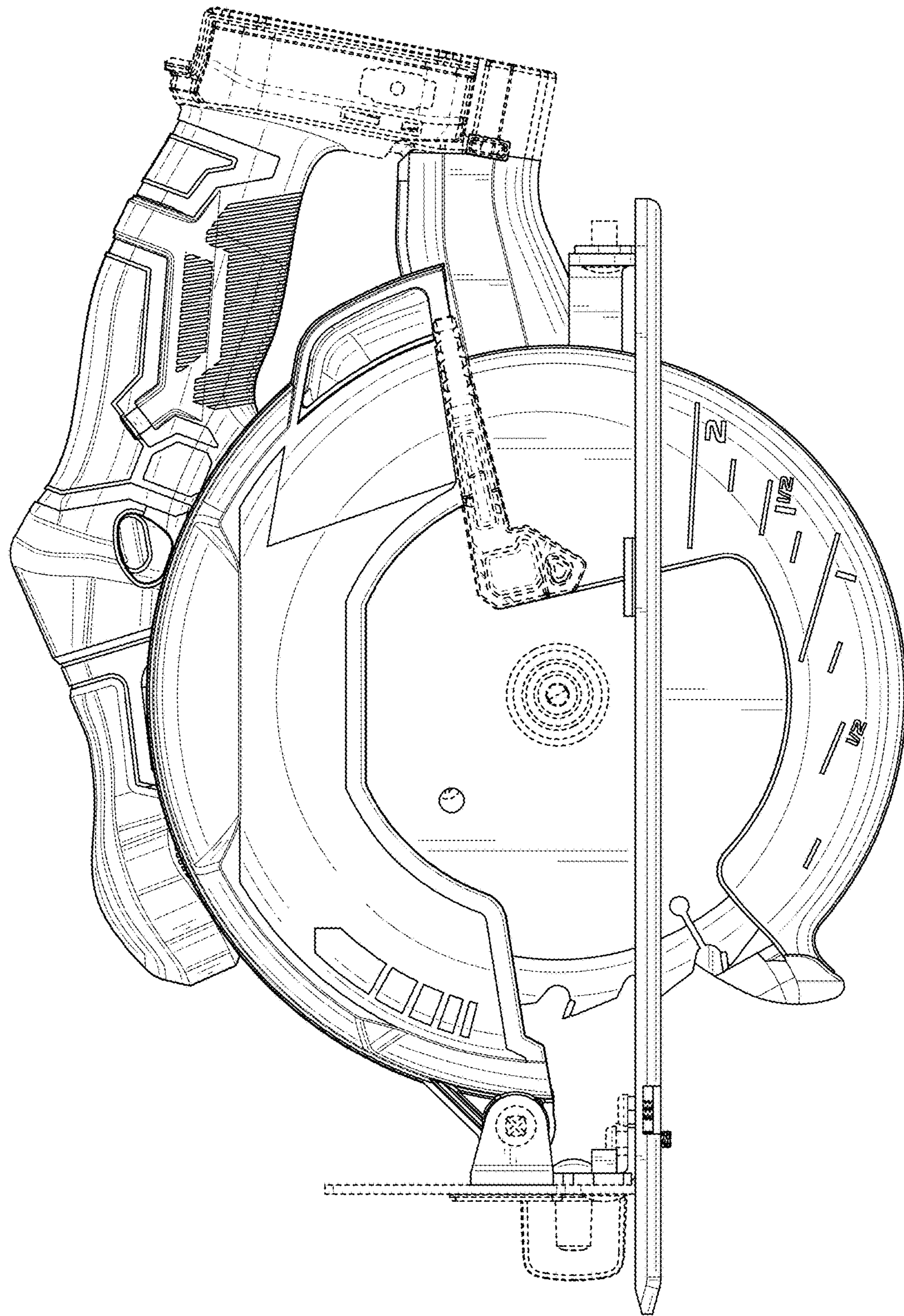


FIG. 3

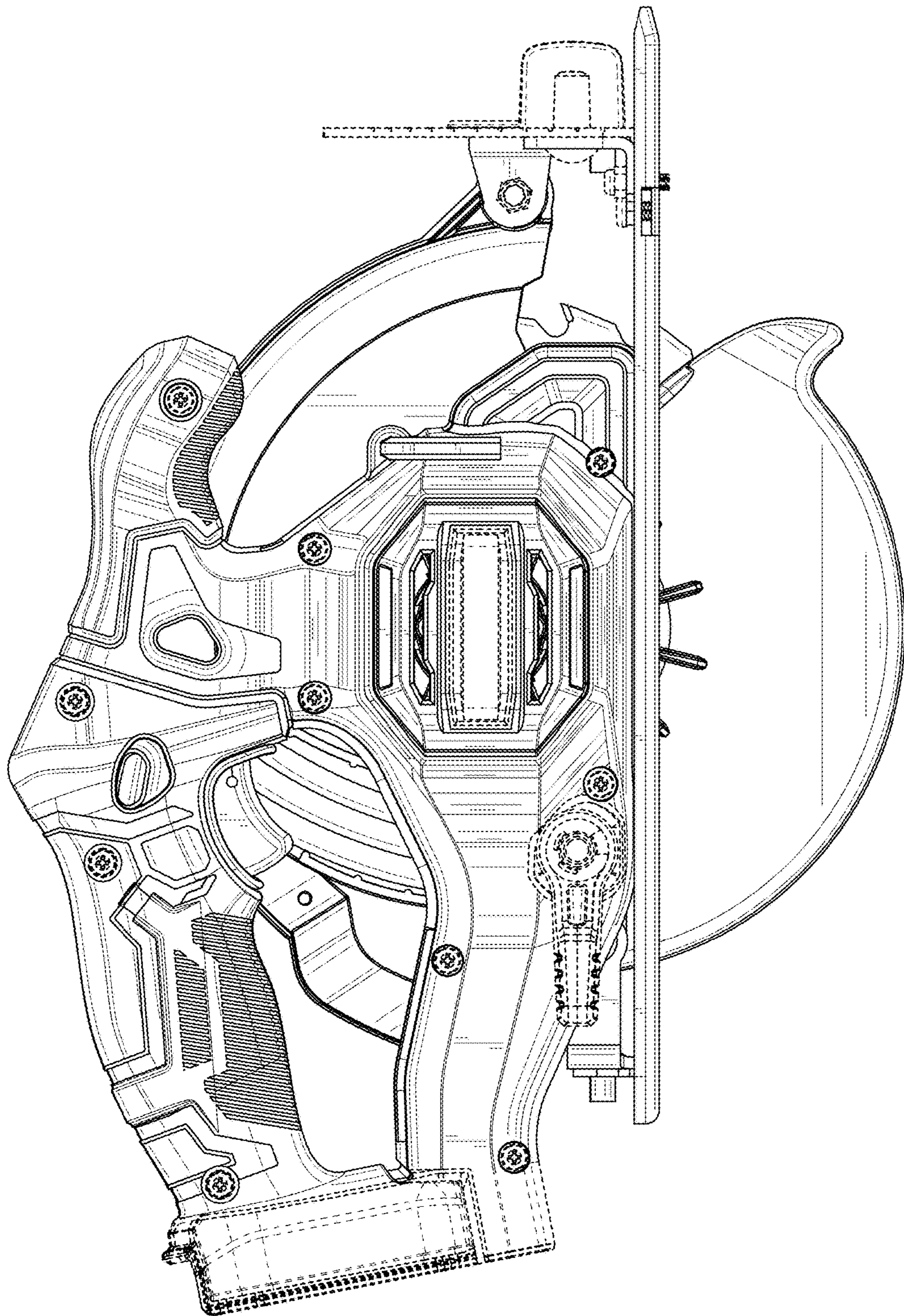


FIG. 4

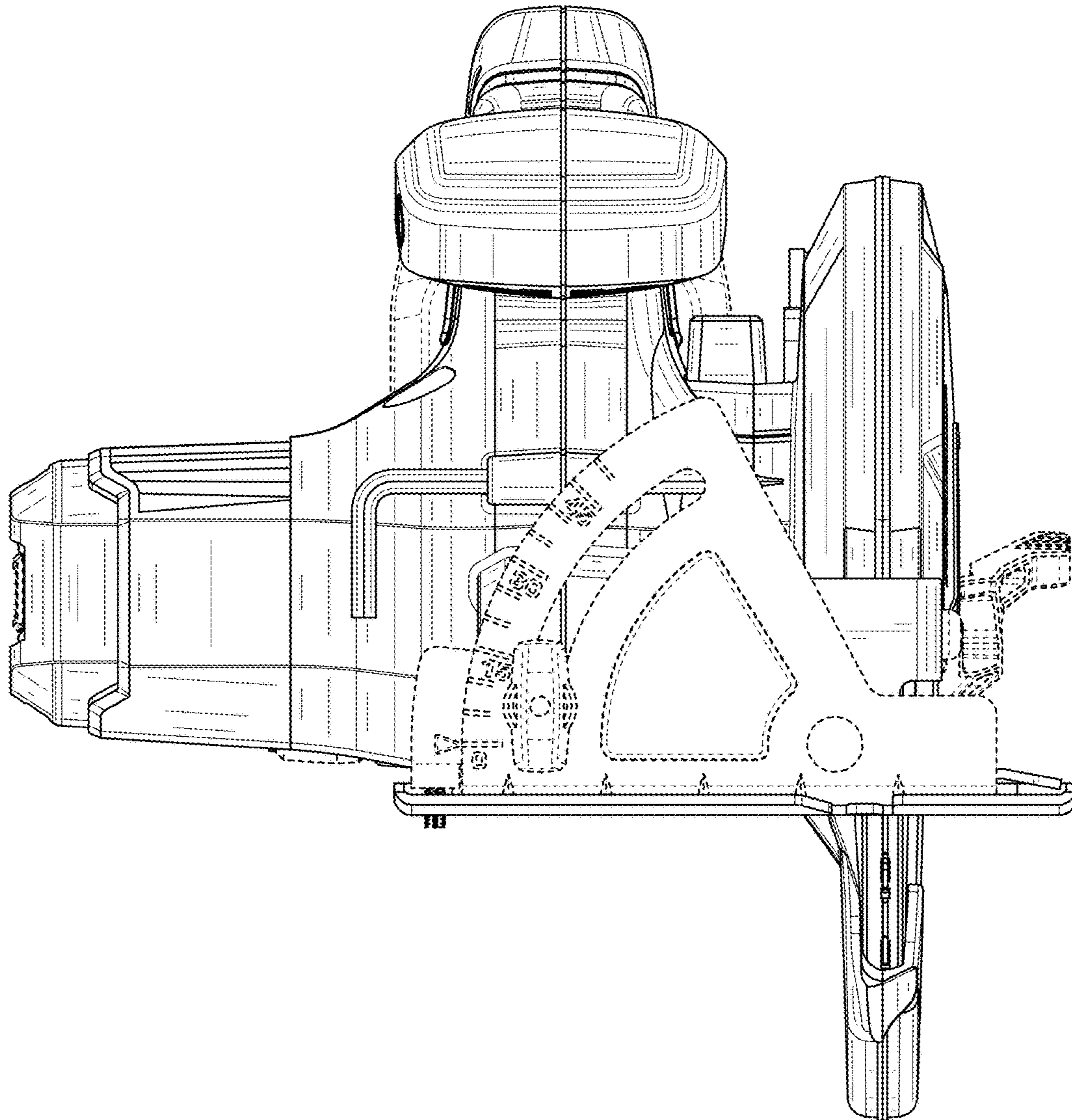


FIG. 5

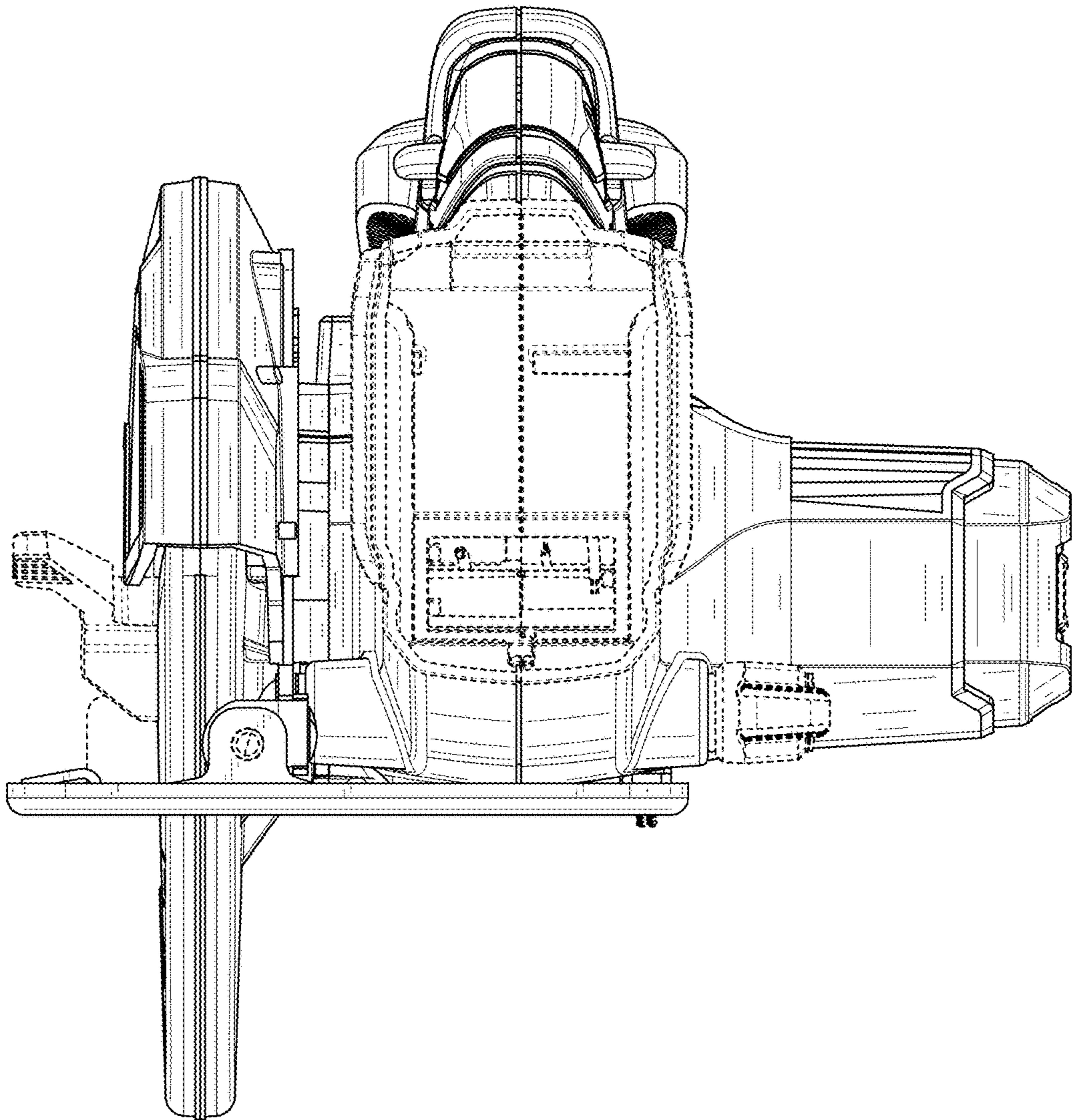


FIG. 6

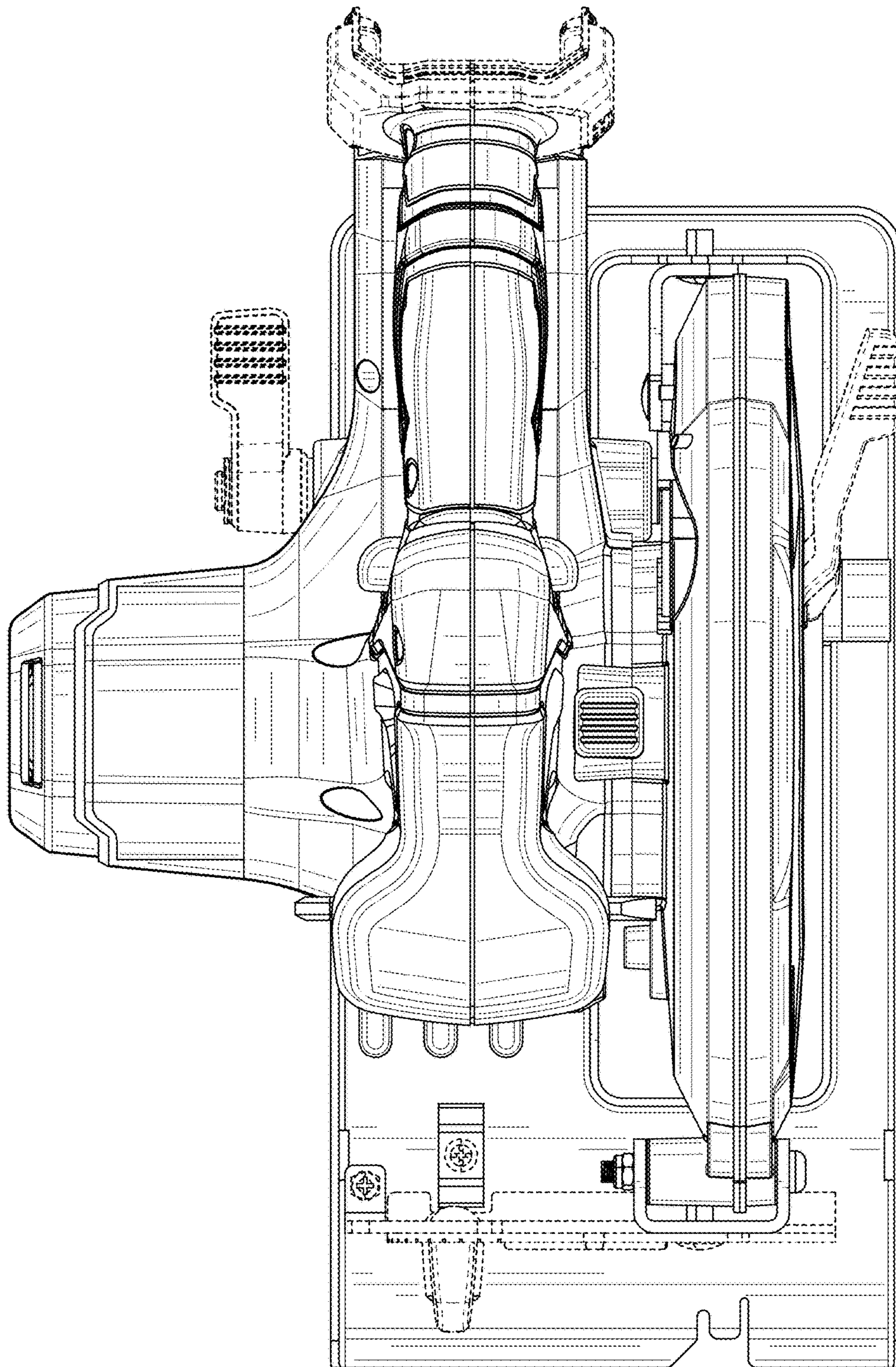


FIG. 7



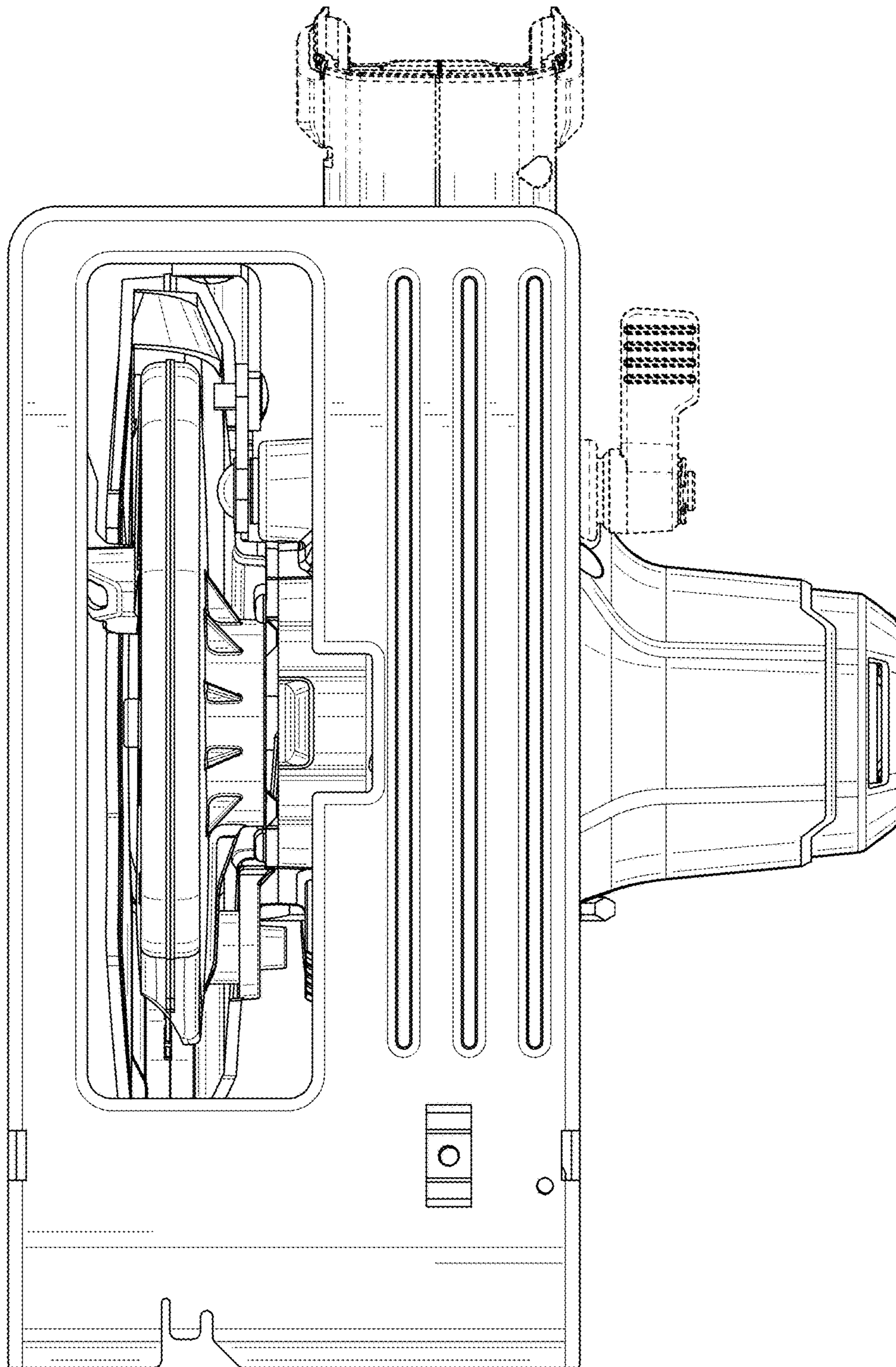


FIG. 8