



US00D861448S

(12) **United States Design Patent**
Zhang

(10) **Patent No.:** **US D861,448 S**

(45) **Date of Patent:** **** Oct. 1, 2019**

- (54) **RETRACTABLE RATCHET TIE DOWN**
- (71) Applicant: **Jinhui Zhang**, Zhangjiagang (CN)
- (72) Inventor: **Jinhui Zhang**, Zhangjiagang (CN)
- (73) Assignee: **Zhangjiagang SMK MFG. Co., Ltd.**,
Zhangjiagang, Jiangsu Province (CN)
- (**) Term: **15 Years**
- (21) Appl. No.: **29/628,864**
- (22) Filed: **Dec. 8, 2017**
- (51) **LOC (12) Cl.** **08-05**
- (52) **U.S. Cl.**
USPC **D8/44**
- (58) **Field of Classification Search**
USPC D8/14, 44, 51, 107
CPC B60P 7/06; B60P 7/08; B60P 7/083; B60P
7/0823; B60P 7/0846
See application file for complete search history.

7,350,767	B2 *	4/2008	Huang	B60P 7/083 24/68 CD
7,503,736	B1 *	3/2009	Chen	B60P 7/083 410/100
7,854,043	B2 *	12/2010	Wang	B60P 7/083 24/68 CD
D661,562	S *	6/2012	Stevens	D8/44
8,403,301	B2 *	3/2013	Huang	B60P 7/083 24/69 CT
8,905,379	B2 *	12/2014	Huang	B65H 75/4457 254/218
9,862,300	B1 *	1/2018	Anderson	B60P 7/0846
2001/0045548	A1 *	11/2001	Landy	B60P 7/083 254/217
2007/0189873	A1 *	8/2007	Breeden	B60P 7/083 410/100
2009/0119892	A1 *	5/2009	Breeden	B60P 7/083 24/68 CD
2012/0167707	A1 *	7/2012	Chang	B25G 1/04 74/491

* cited by examiner

Primary Examiner — Philip S Hyder

(57) **CLAIM**

The ornamental design for a retractable ratchet tie down, as shown and described.

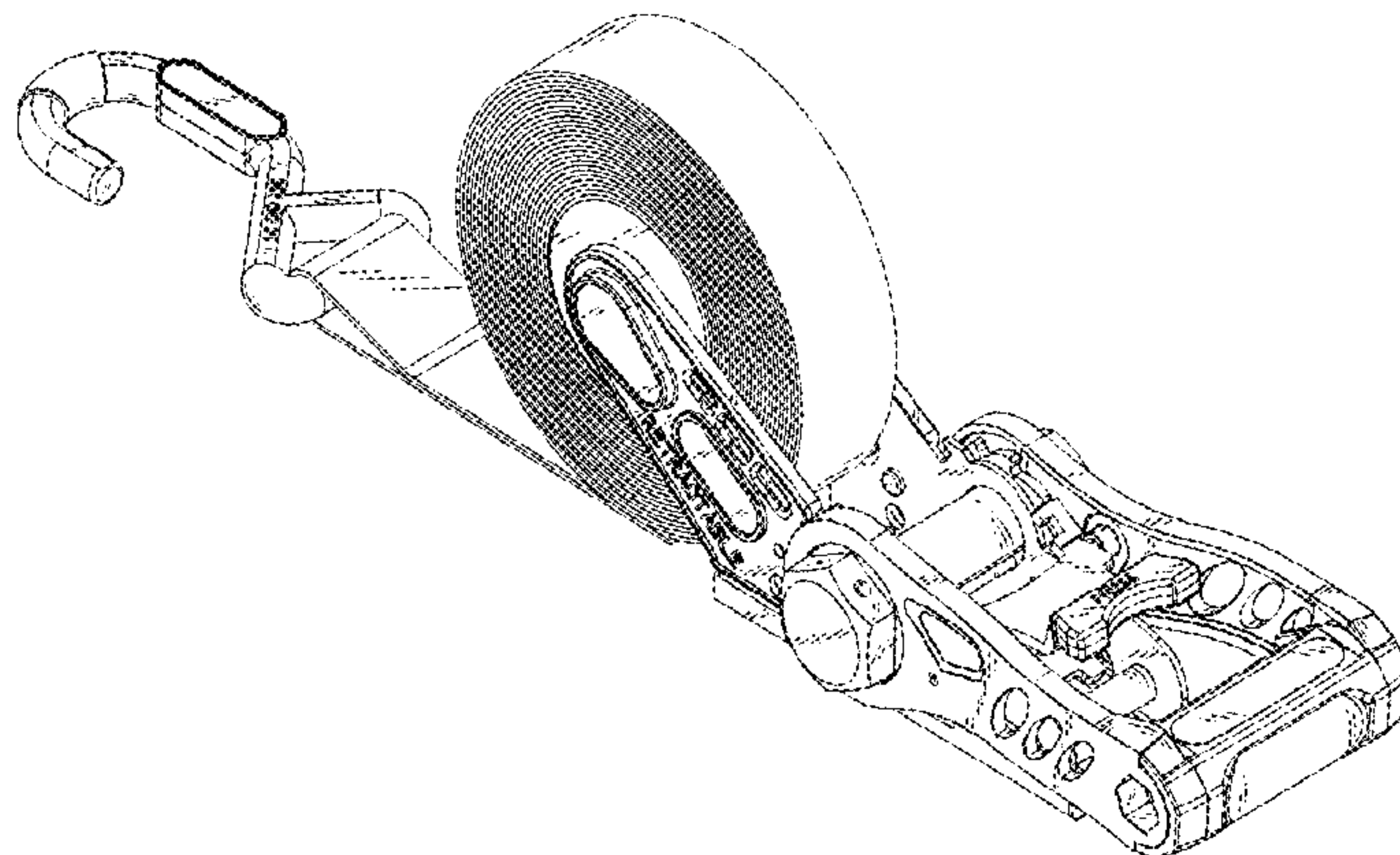
DESCRIPTION

FIG. 1 is a perspective view of a retractable ratchet tie down showing my new design;
 FIG. 2 is a front elevational view thereof;
 FIG. 3 is a rear elevational view thereof;
 FIG. 4 is a left side elevational view thereof;
 FIG. 5 is a right side elevational view thereof;
 FIG. 6 is a top plan view thereof;
 FIG. 7 is a bottom plan view thereof;
 FIG. 8 is another perspective view thereof; and,
 FIG. 9 is another perspective view thereof.

1 Claim, 8 Drawing Sheets

(56) **References Cited**
U.S. PATENT DOCUMENTS

4,185,360	A *	1/1980	Prete, Jr.	B25B 25/00 24/68 CD
D266,828	S *	11/1982	Prete, Jr.	D8/383
5,103,536	A *	4/1992	Kamper	B60P 7/083 24/68 CD
D328,840	S *	8/1992	Jensen	D8/44
5,271,606	A *	12/1993	Kamper	B60P 7/083 254/217
5,943,742	A *	8/1999	Huang	A44B 11/125 24/68 B
6,195,848	B1 *	3/2001	Jackson	B60P 7/083 24/68 CD
6,880,810	B1 *	4/2005	Hu	B60P 7/083 24/69 ST
7,100,902	B1 *	9/2006	Lu	B60P 7/0846 24/69 ST



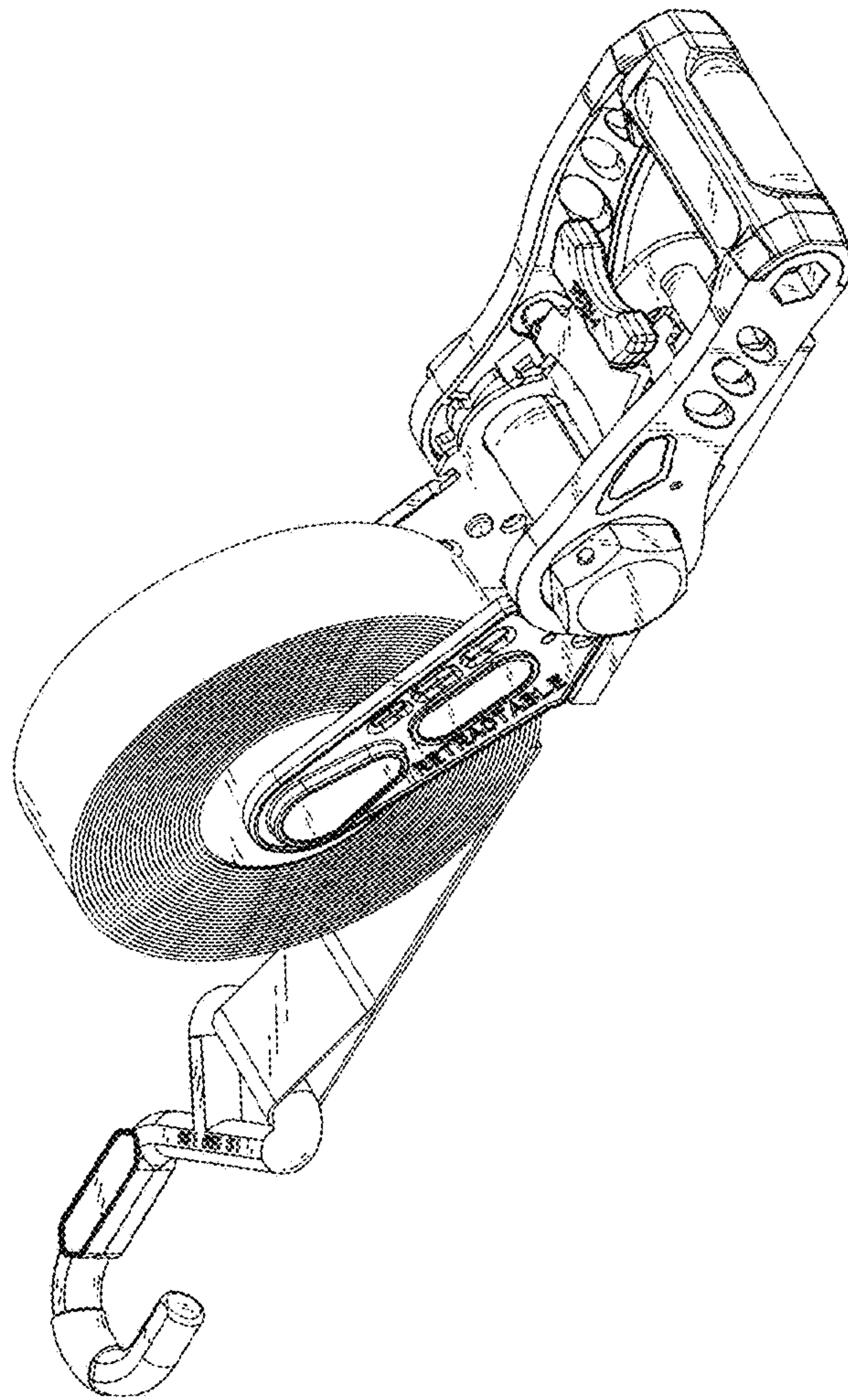


Fig.1

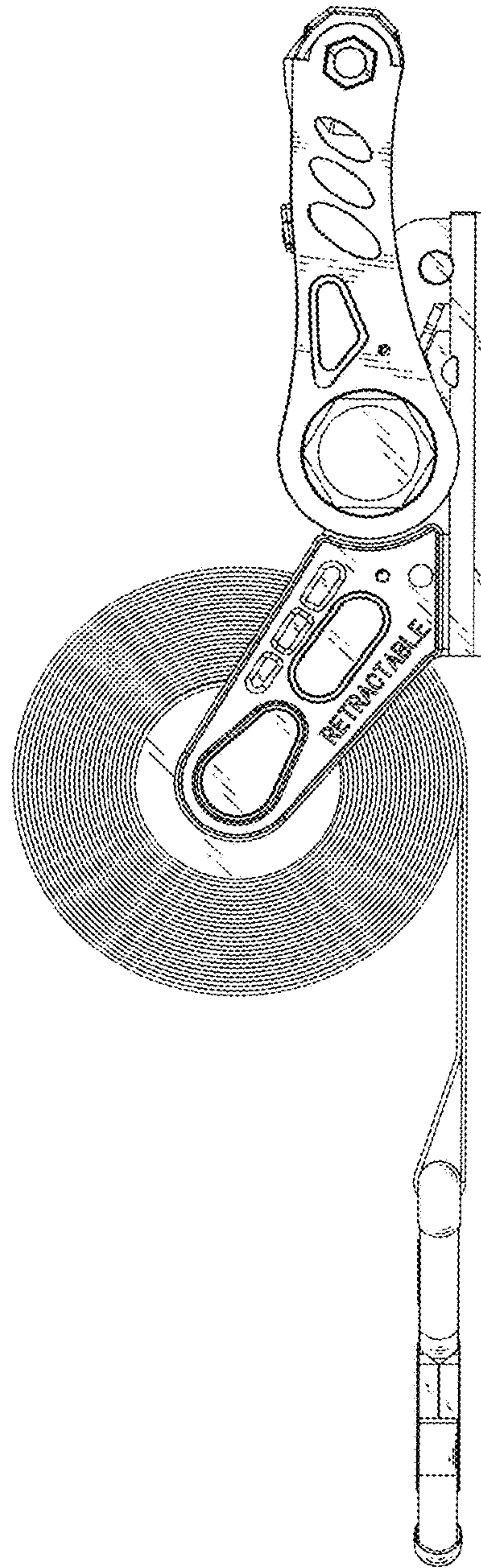


Fig.2

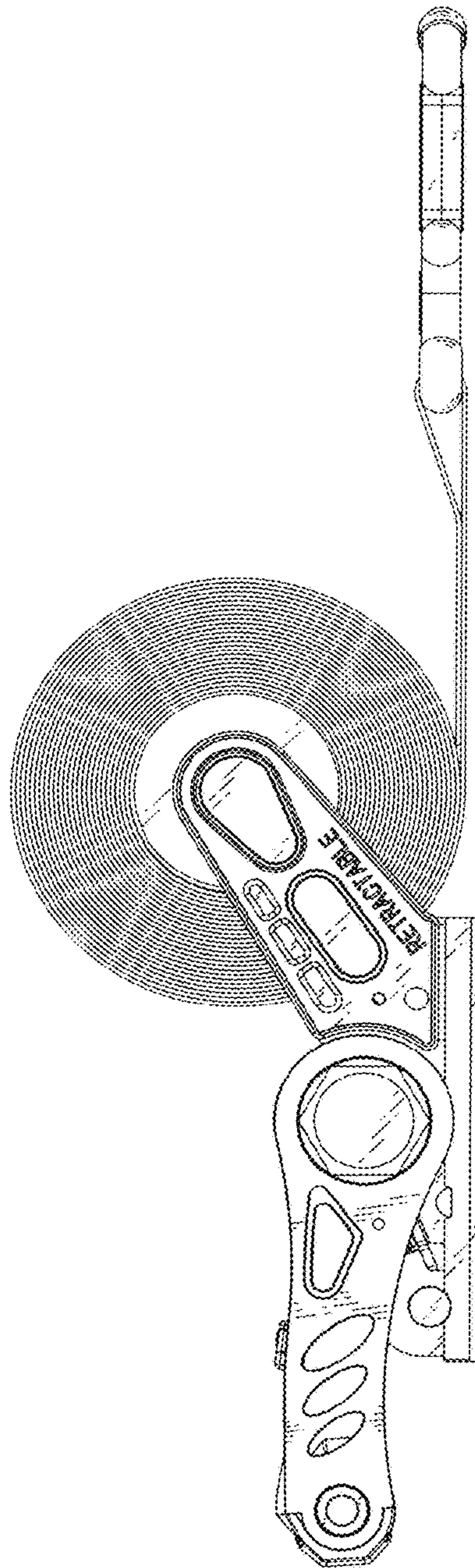


Fig.3

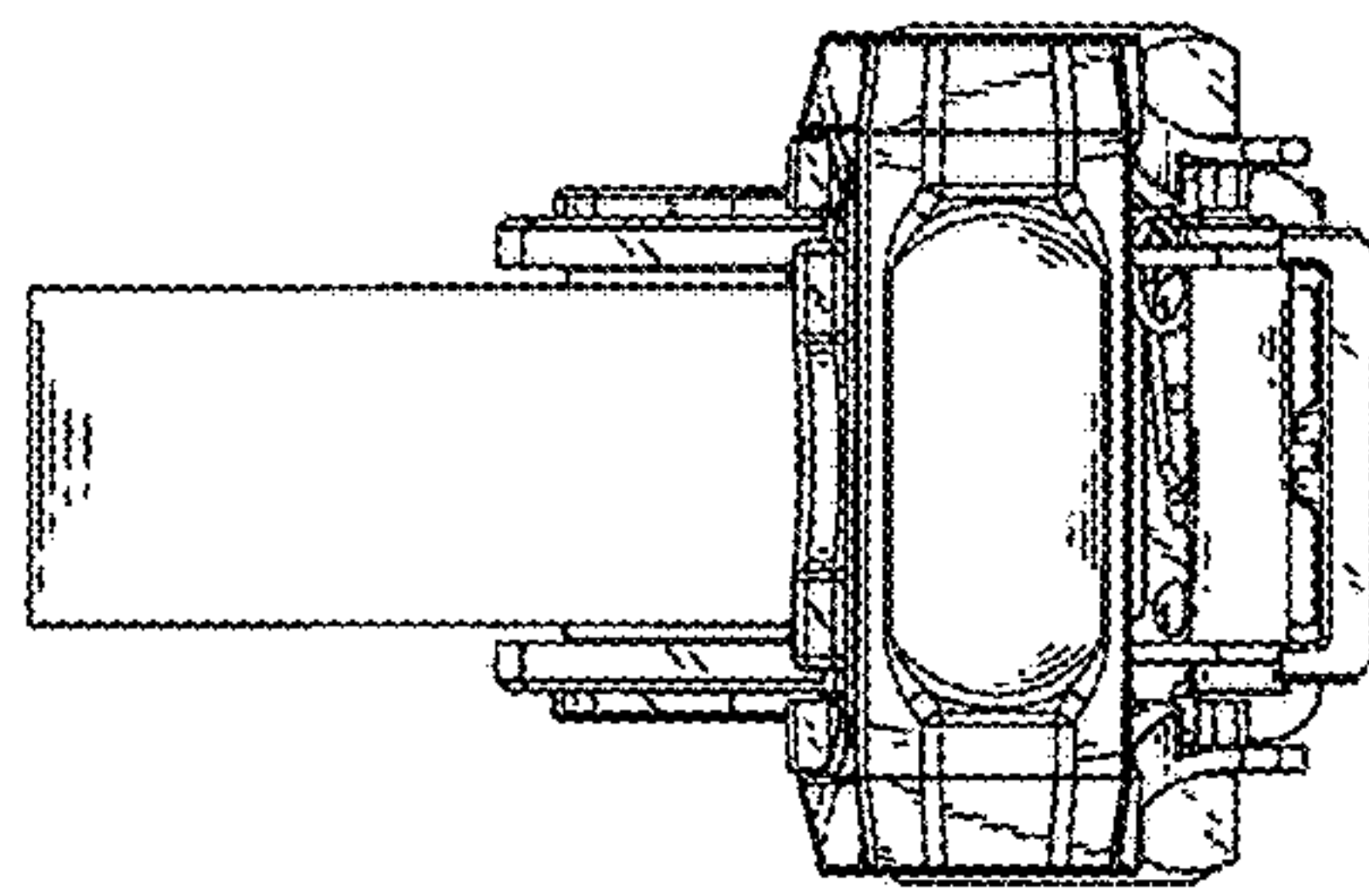


Fig.5

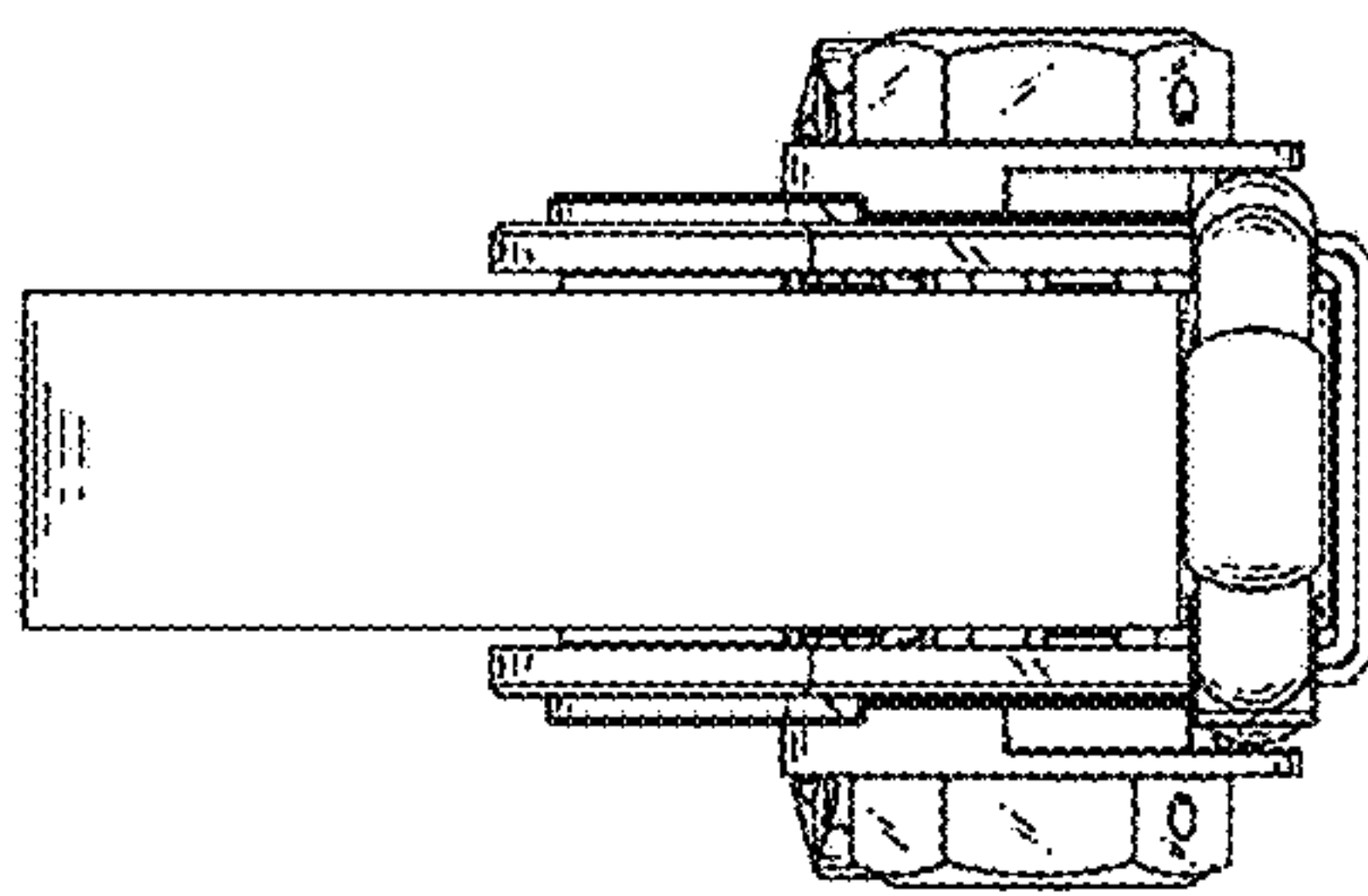


Fig.4

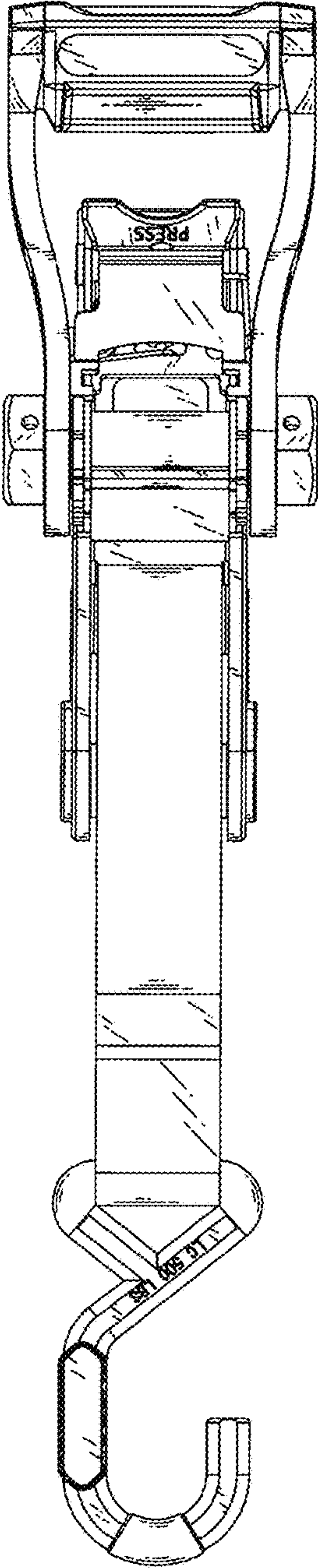


Fig.6

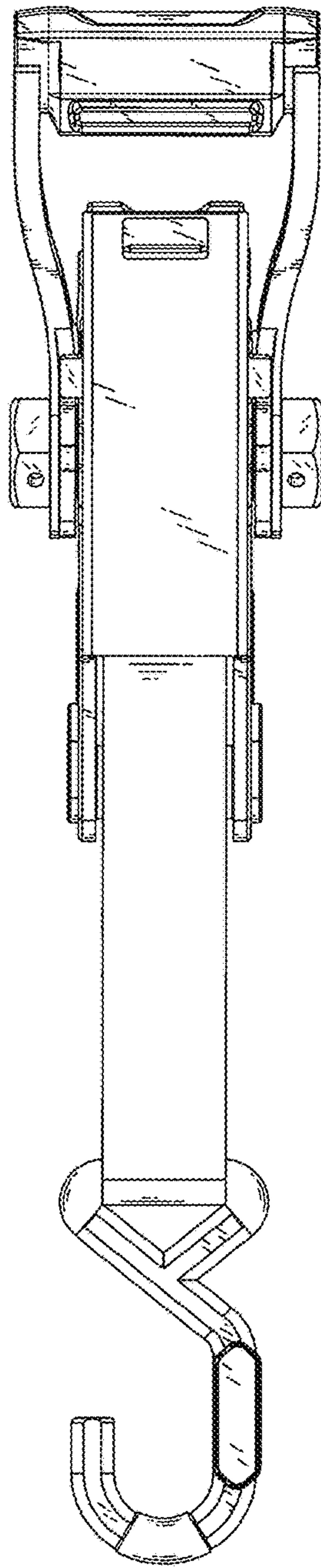


Fig.7

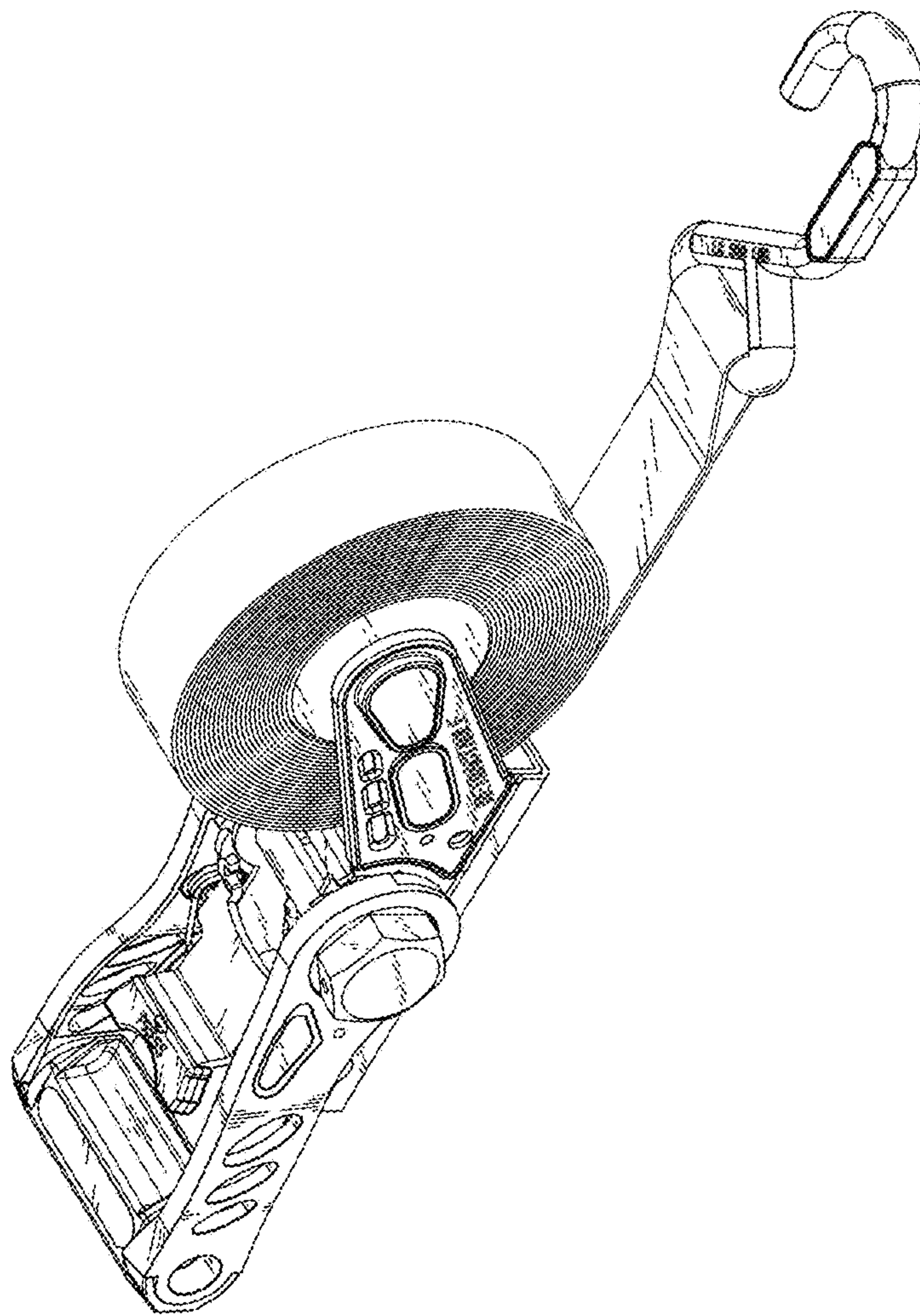


Fig. 8

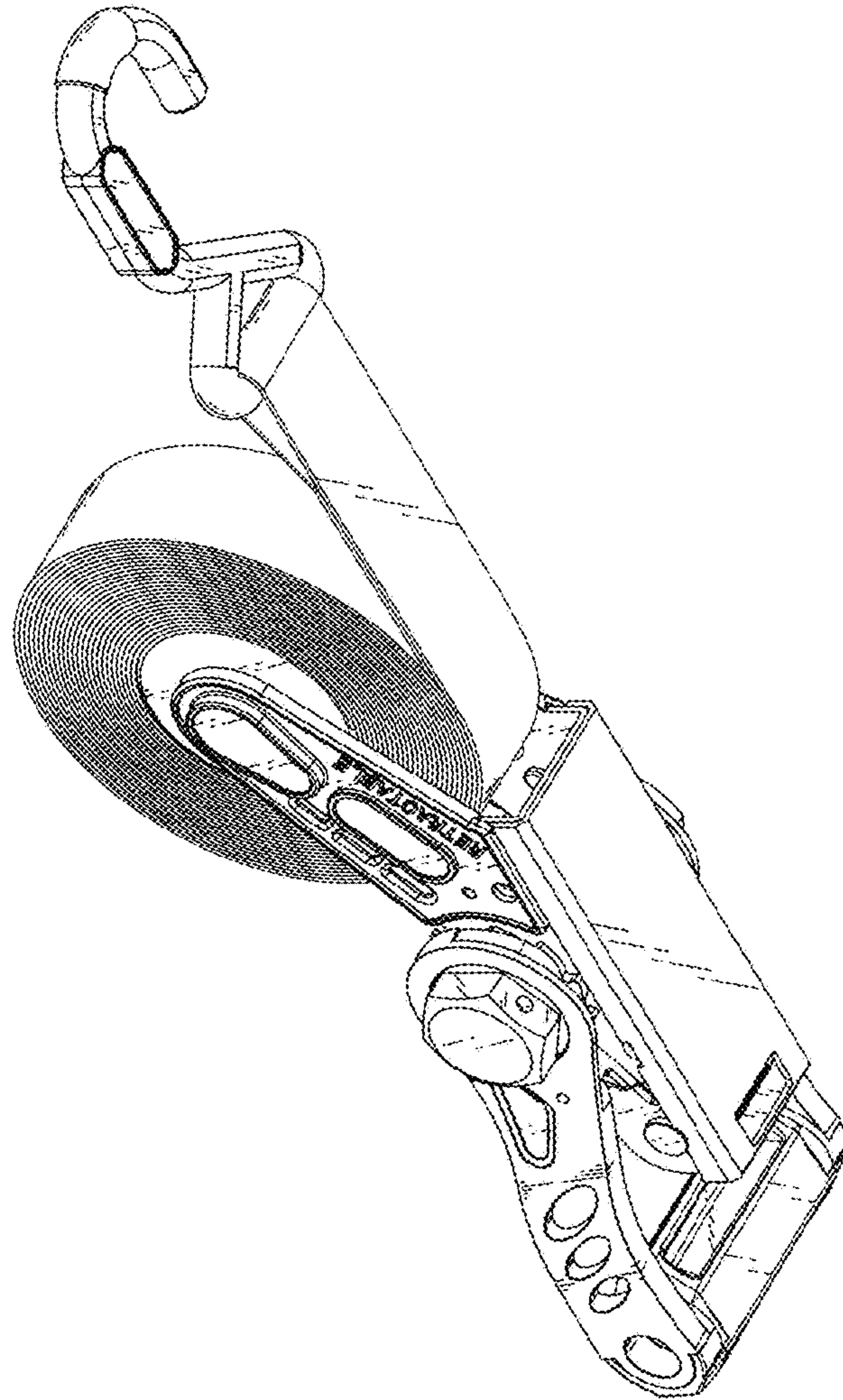


Fig.9