



US00D861447S

(12) **United States Design Patent**
Strickland

(10) **Patent No.:** **US D861,447 S**
(45) **Date of Patent:** **** Oct. 1, 2019**

(54) **POWER FLOOR GRINDING AND SANDING DRIVER DISC**

(71) Applicant: **Onfloor Technologies, L.L.C.**,
Newburgh, NY (US)

(72) Inventor: **Timothy A. Strickland**, Raeford, NC
(US)

(73) Assignee: **ONFLOOR TECHNOLOGIES, L.L.C.**,
Newburgh, NY (US)

(**) Term: **15 Years**

(21) Appl. No.: **29/634,219**

(22) Filed: **Jan. 19, 2018**

(51) **LOC (12) Cl.** **08-05**

(52) **U.S. Cl.**
USPC **D8/32**

(58) **Field of Classification Search**
USPC D7/368, 387, 665, 672, 676, 677; D8/62,
D8/70, 71, 90, 98; D15/124, 125, 126,
D15/138, 139; D23/259-261
CPC B24B 7/0076; B24B 7/12; B24B 7/186
See application file for complete search history.

(56) **References Cited**

U.S. PATENT DOCUMENTS

| | | | |
|----------------|---------|----------|-----------------------|
| 5,458,532 A | 10/1995 | Cannone | |
| D486,839 S * | 2/2004 | Sunagawa | D15/126 |
| D506,376 S * | 6/2005 | Hede | D8/70 |
| D509,121 S * | 9/2005 | Hede | D8/70 |
| D535,863 S * | 1/2007 | Cho | D8/70 |
| 7,261,623 B1 * | 8/2007 | Palushi | B24B 7/186 451/350 |
| D585,466 S * | 1/2009 | Park | D15/126 |
| D592,229 S * | 5/2009 | Park | D15/126 |
| D593,641 S * | 6/2009 | Plank | D23/259 |
| D612,874 S * | 3/2010 | Nilsson | D15/138 |
| D626,978 S * | 11/2010 | Huh | D15/126 |
| D646,542 S * | 10/2011 | Wackwitz | D8/70 |

| | | | |
|--------------|---------|-----------|---------|
| D653,523 S * | 2/2012 | Wackwitz | D15/138 |
| D664,571 S * | 7/2012 | Beyer | D15/125 |
| D665,242 S * | 8/2012 | Wackwitz | D15/140 |
| D687,471 S * | 8/2013 | Fu | D15/126 |
| D689,913 S * | 9/2013 | Fu | D15/126 |
| D697,777 S * | 1/2014 | Bozic | D8/70 |
| D737,873 S * | 9/2015 | Shinozaki | D15/126 |
| D740,637 S * | 10/2015 | Finnas | D8/70 |
| D743,455 S * | 11/2015 | Shinozaki | D15/126 |
| D743,456 S * | 11/2015 | Shinozaki | D15/126 |
| D754,764 S * | 4/2016 | Rudge | D15/123 |

(Continued)

FOREIGN PATENT DOCUMENTS

| | | |
|----|---------|--------|
| CN | 2035778 | 4/1989 |
| CN | 2249144 | 3/1997 |

(Continued)

OTHER PUBLICATIONS

<http://www.superabrasive.us/>.
<http://www.lavinagrinder.com/lavina-foam-plate-resin-holders/>.
<https://www.cimex.us/product/big-wheel-kit/>.

Primary Examiner — Garth Rademaker
Assistant Examiner — Fritzgerald L Butac
(74) *Attorney, Agent, or Firm* — Reising Ethington P.C.

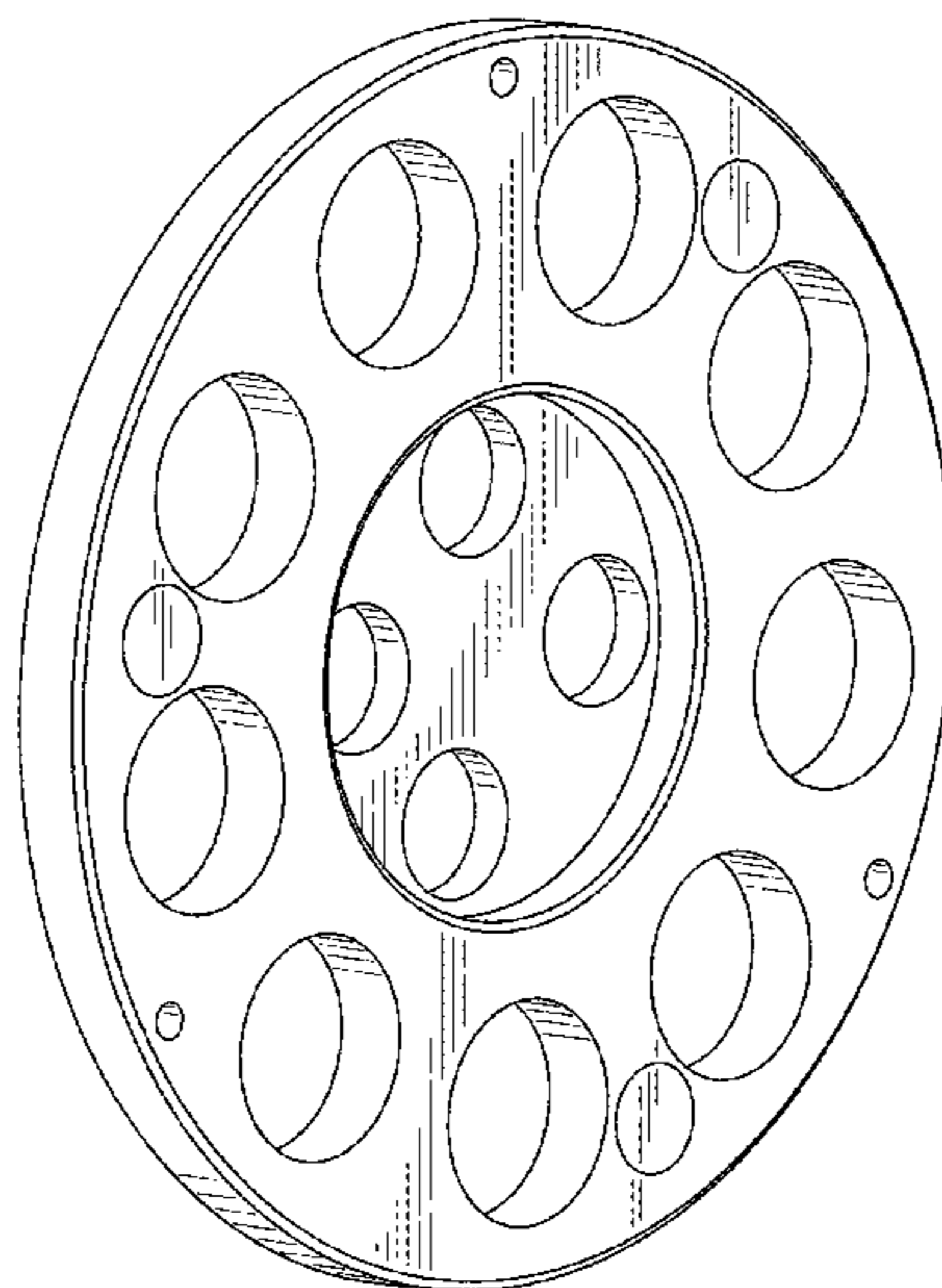
(57) **CLAIM**

The ornamental design for power floor grinding and sanding driver disc, as shown and described.

DESCRIPTION

FIG. 1 is bottom perspective view of a power floor grinding and sanding driver disc showing my new design; FIG. 2 is a top perspective view thereof; FIG. 3 is a bottom plan view thereof; FIG. 4 is a top plan view thereof; and, FIG. 5 is a side elevational view thereof.

1 Claim, 2 Drawing Sheets



(56)

References Cited

U.S. PATENT DOCUMENTS

D796,458 S * 9/2017 Jang D13/182
D802,546 S * 11/2017 Jang D13/182
D805,878 S * 12/2017 Rassat D8/354
D814,267 S * 4/2018 Verbowski D8/354
D816,132 S * 4/2018 Nymark D15/126
D822,437 S * 7/2018 Hosey B01F 7/00458
D7/412
2004/0077300 A1 4/2004 Thysell et al.
2005/0260940 A1* 11/2005 Palushaj A46B 13/008
451/490
2011/0300784 A1* 12/2011 Tchakarov B24B 7/186
451/259
2013/0189908 A1* 7/2013 Strickland A47L 11/16
451/259
2013/0324021 A1* 12/2013 Ryan B24D 11/00
451/529

FOREIGN PATENT DOCUMENTS

CN 201295202 8/2009
CN 201394761 2/2010
DE 4215802 11/1993
DE 102008062746 6/2010
GB 2033214 5/1980
GM 2413264 10/2005
JP 2000093371 4/2000
NL 1014015 7/2001

* cited by examiner

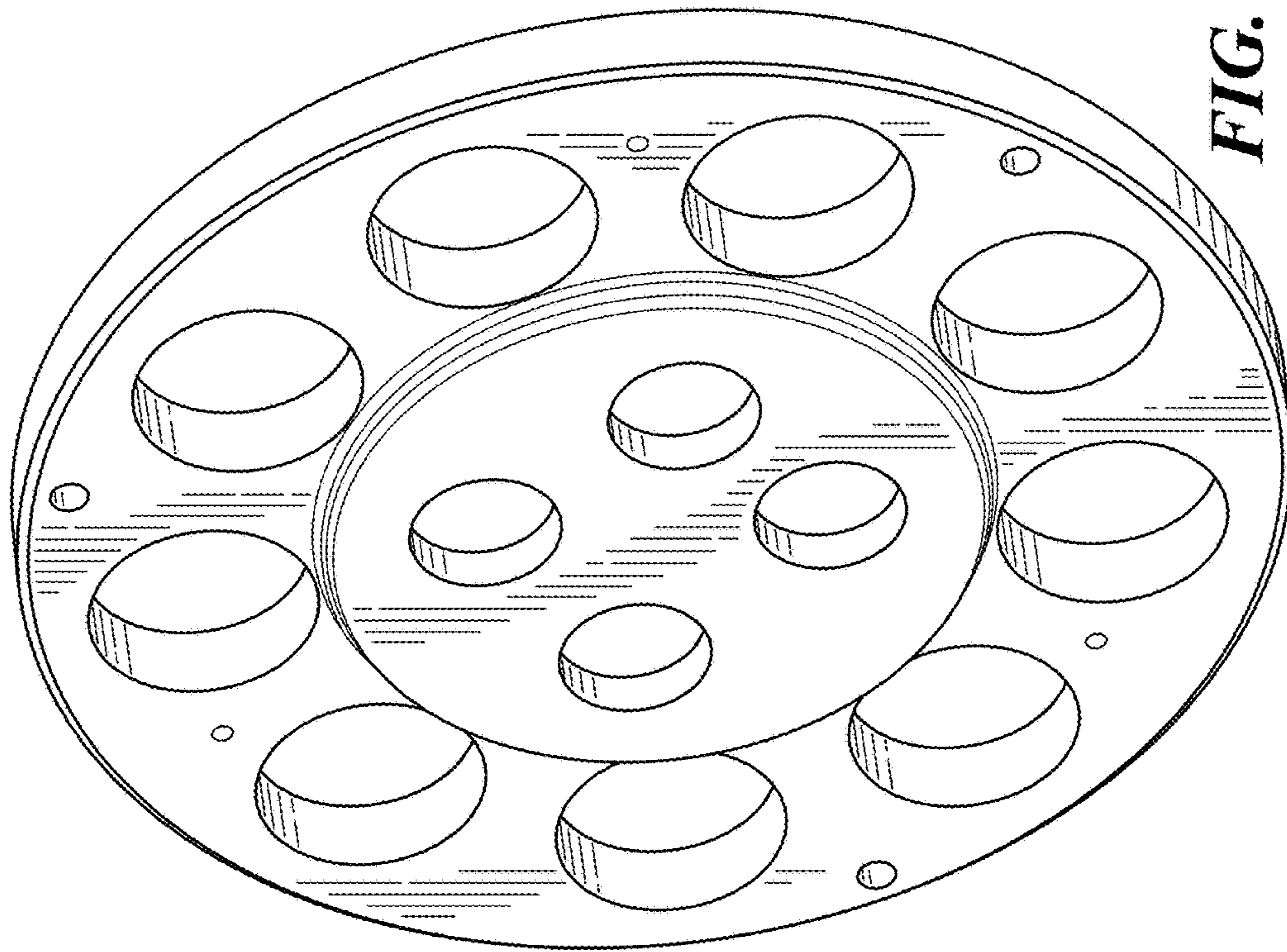


FIG. 2

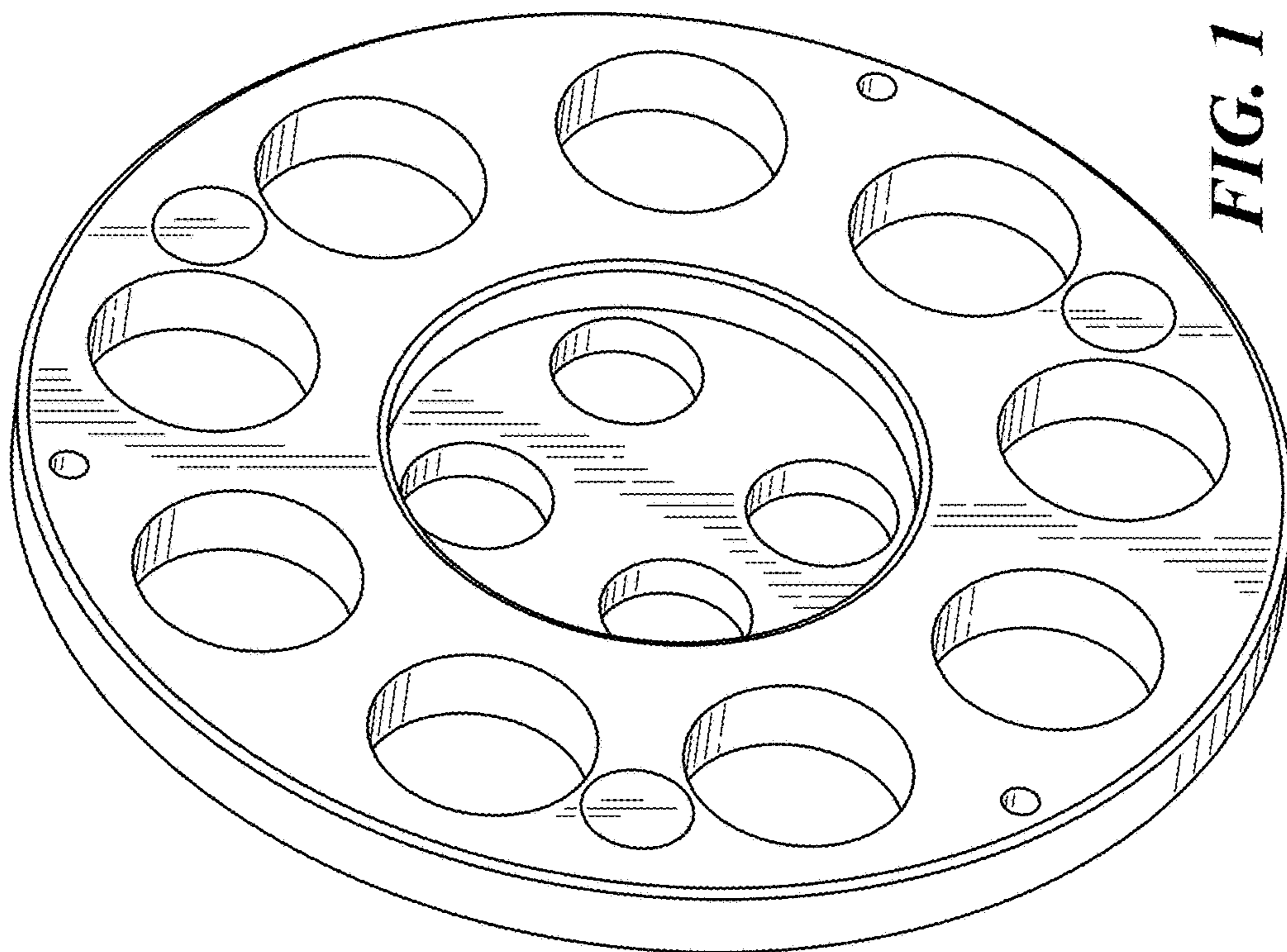


FIG. 1



FIG. 5

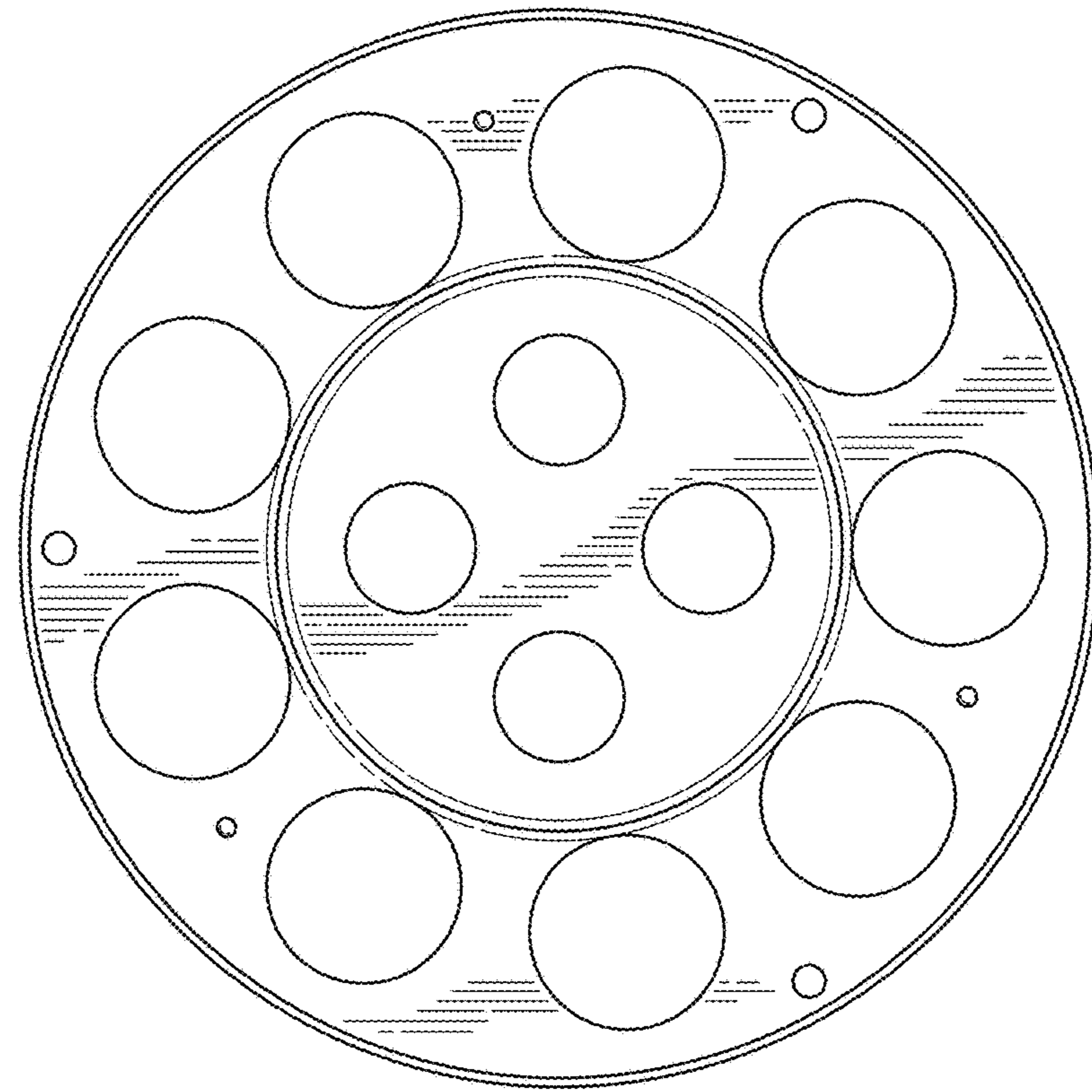


FIG. 4

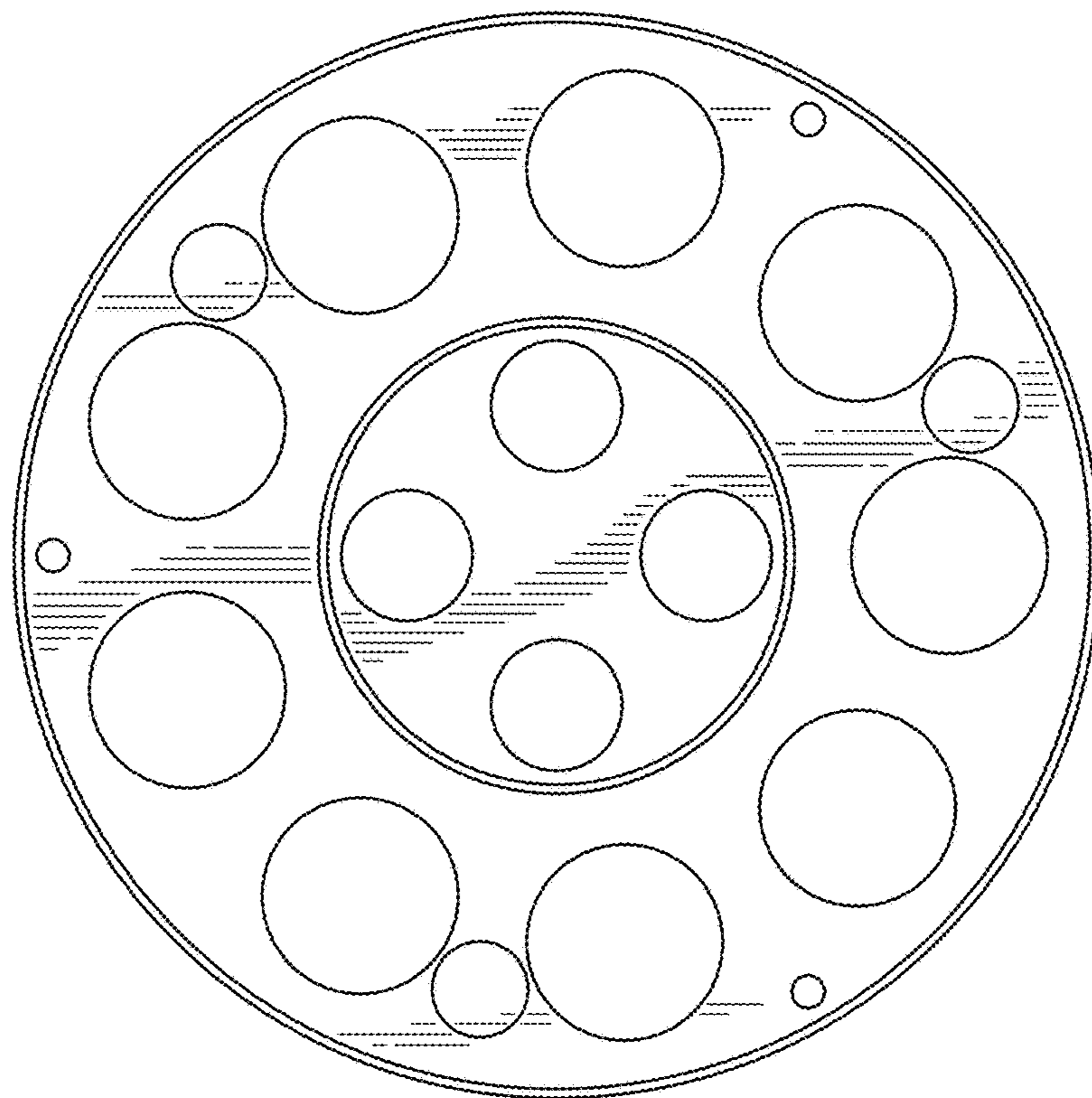


FIG. 3