



US00D861446S

(12) **United States Design Patent**  
**Gilbert**

(10) **Patent No.:** **US D861,446 S**

(45) **Date of Patent:** **\*\* Oct. 1, 2019**

(54) **SOCKET TOOL**

D784,099 S \* 4/2017 Mitchell ..... D8/21  
D795,030 S \* 8/2017 Angeloff ..... D8/29

\* cited by examiner

(71) Applicant: **Kyle W. Gilbert**, Altamont, UT (US)

*Primary Examiner* — Randall H Gholson

(72) Inventor: **Kyle W. Gilbert**, Altamont, UT (US)

(74) *Attorney, Agent, or Firm* — Workman Nydegger

(\*\*) Term: **15 Years**

(57) **CLAIM**

The ornamental design for a socket tool, as shown and described.

(21) Appl. No.: **29/634,931**

**DESCRIPTION**

(22) Filed: **Jan. 25, 2018**

FIG. 1 is a rear perspective view of a socket tool according to the present invention.

(51) **LOC (12) Cl.** ..... **08-05**

FIG. 2 is a front perspective view of the socket tool of FIG. 1.

(52) **U.S. Cl.**

USPC ..... **D8/29**

(58) **Field of Classification Search**

USPC ..... D8/29; 81/60, 177.1, 177.85, 121.1,  
81/124.3, 165-170, 110.1, 176.2, 124.6,  
81/176.1, 176.15, 177.2; 16/110.1

CPC ..... B25B 13/06; B25B 13/065  
See application file for complete search history.

FIG. 3 is a first side view of the socket tool of FIG. 1, the opposite side view being identical thereto. The top and bottom views are also identical thereto, and are therefore not shown.

FIG. 4 is a rear view of the socket tool of FIG. 1.

FIG. 5 is a front view of the socket tool of FIG. 1.

FIG. 6 is a rear perspective view of another embodiment of a socket tool.  
FIG. 7 is a front perspective view of the socket tool of FIG. 6.

FIG. 8 is a rear perspective view of another embodiment of a socket tool; and,

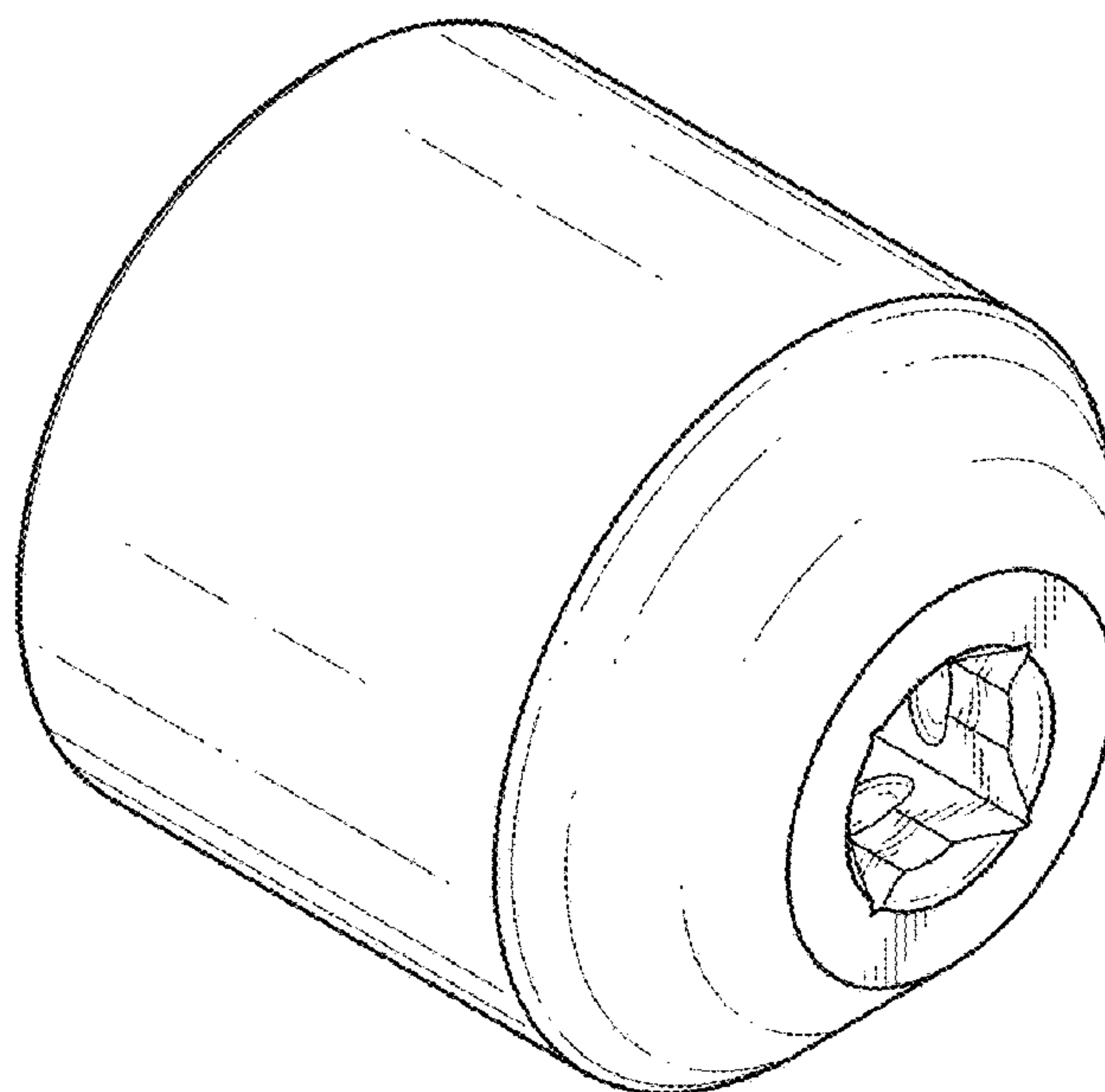
FIG. 9 is a front perspective view of the socket tool of FIG. 8.

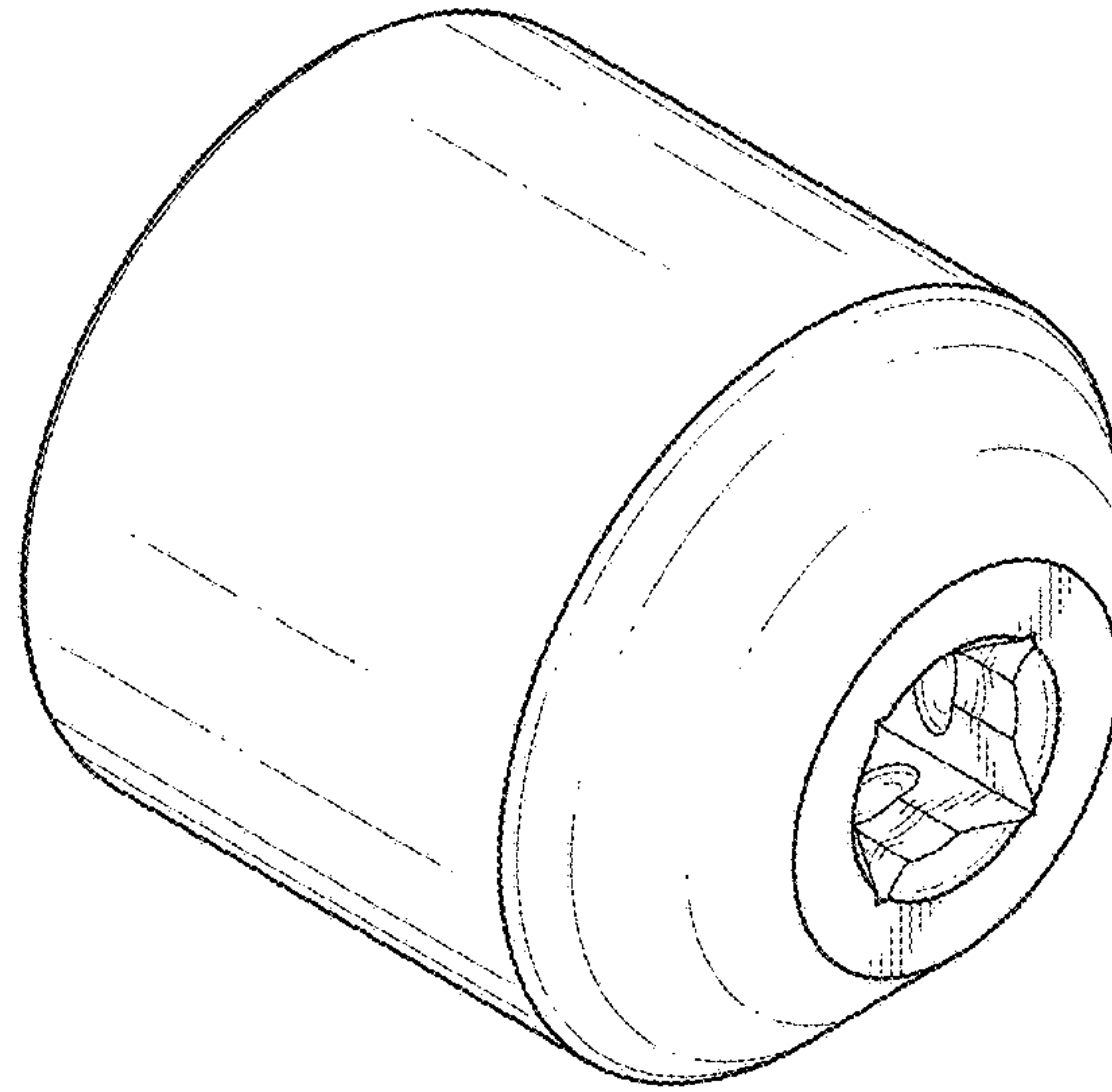
(56) **References Cited**

**U.S. PATENT DOCUMENTS**

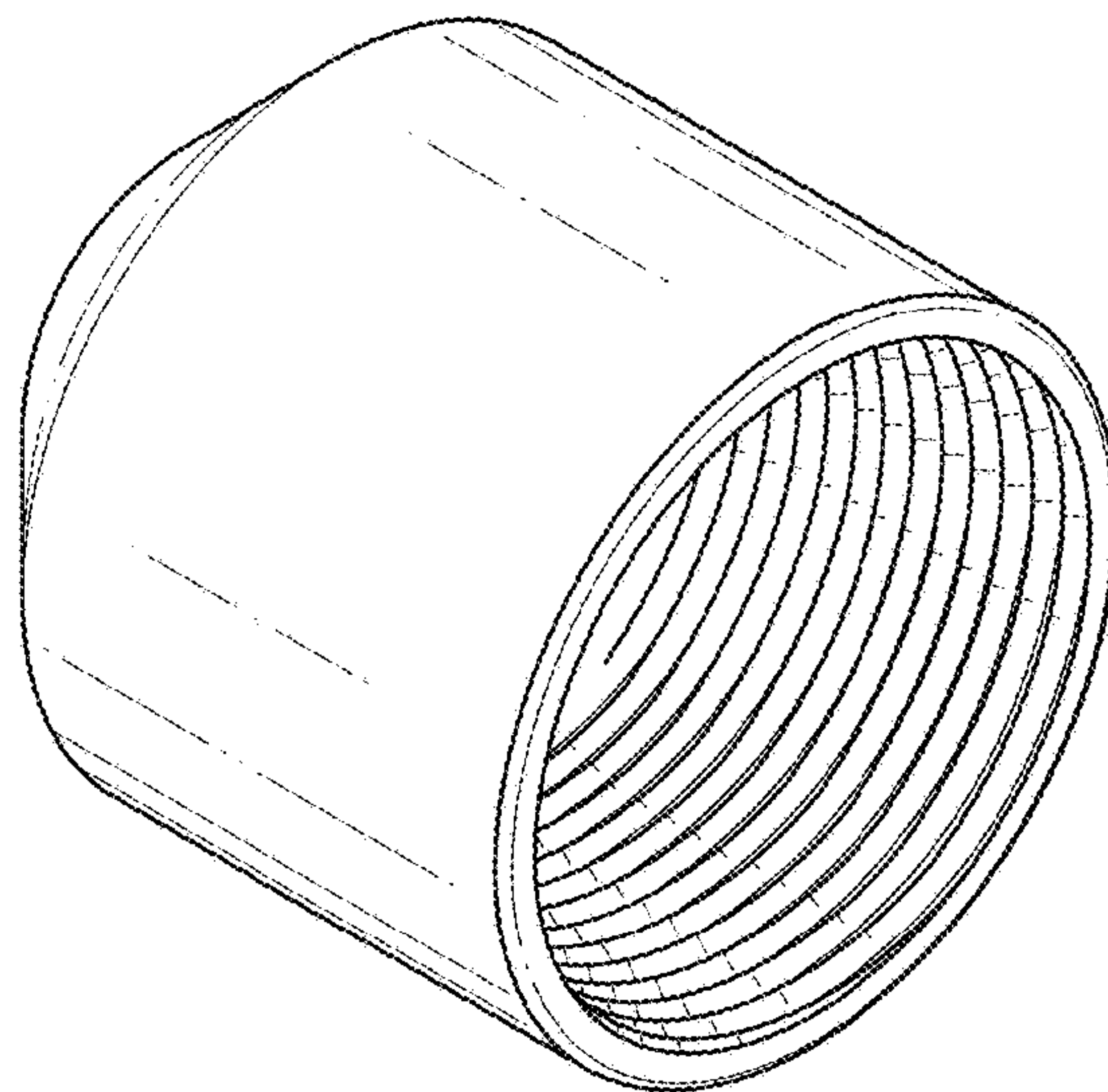
D250,167 S \* 11/1978 D'Oporto ..... D8/29  
7,281,310 B2 \* 10/2007 Moore ..... B25B 13/06  
29/456  
D611,789 S \* 3/2010 Taylor, Jr. .... D8/29  
D630,920 S \* 1/2011 Smith ..... D8/29

**1 Claim, 4 Drawing Sheets**





**FIG. 1**



**FIG. 2**

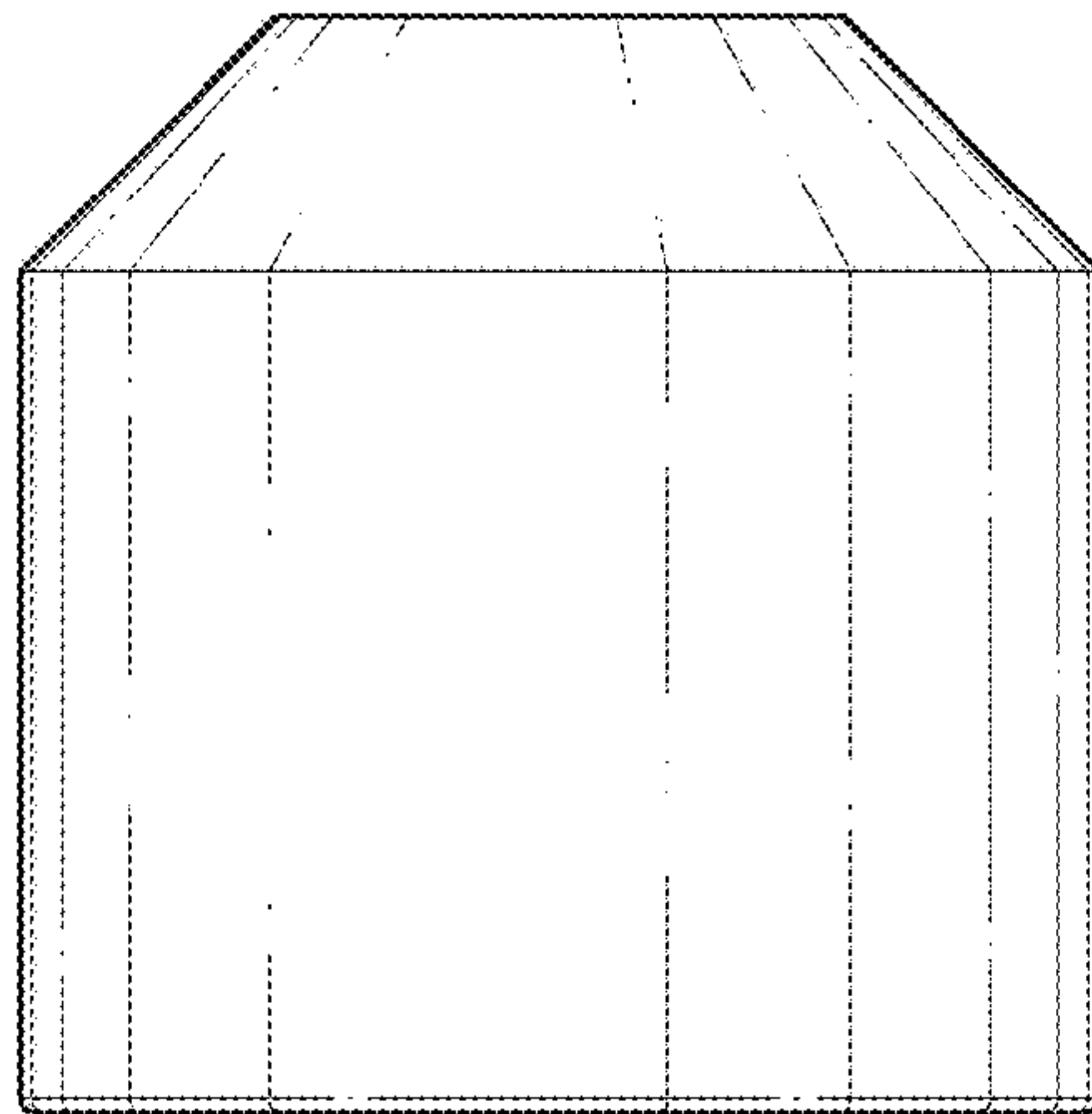


FIG. 3

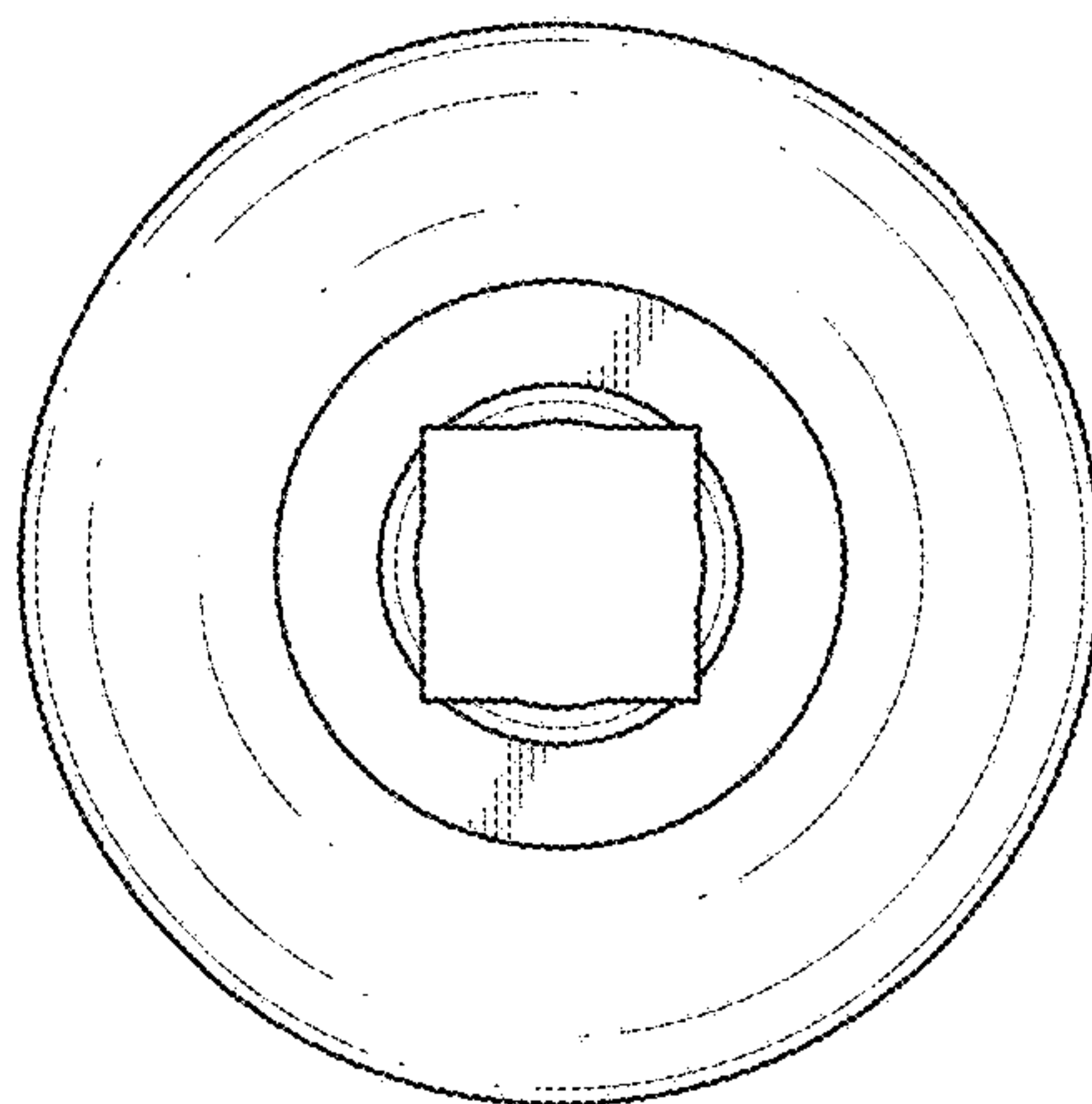


FIG. 4

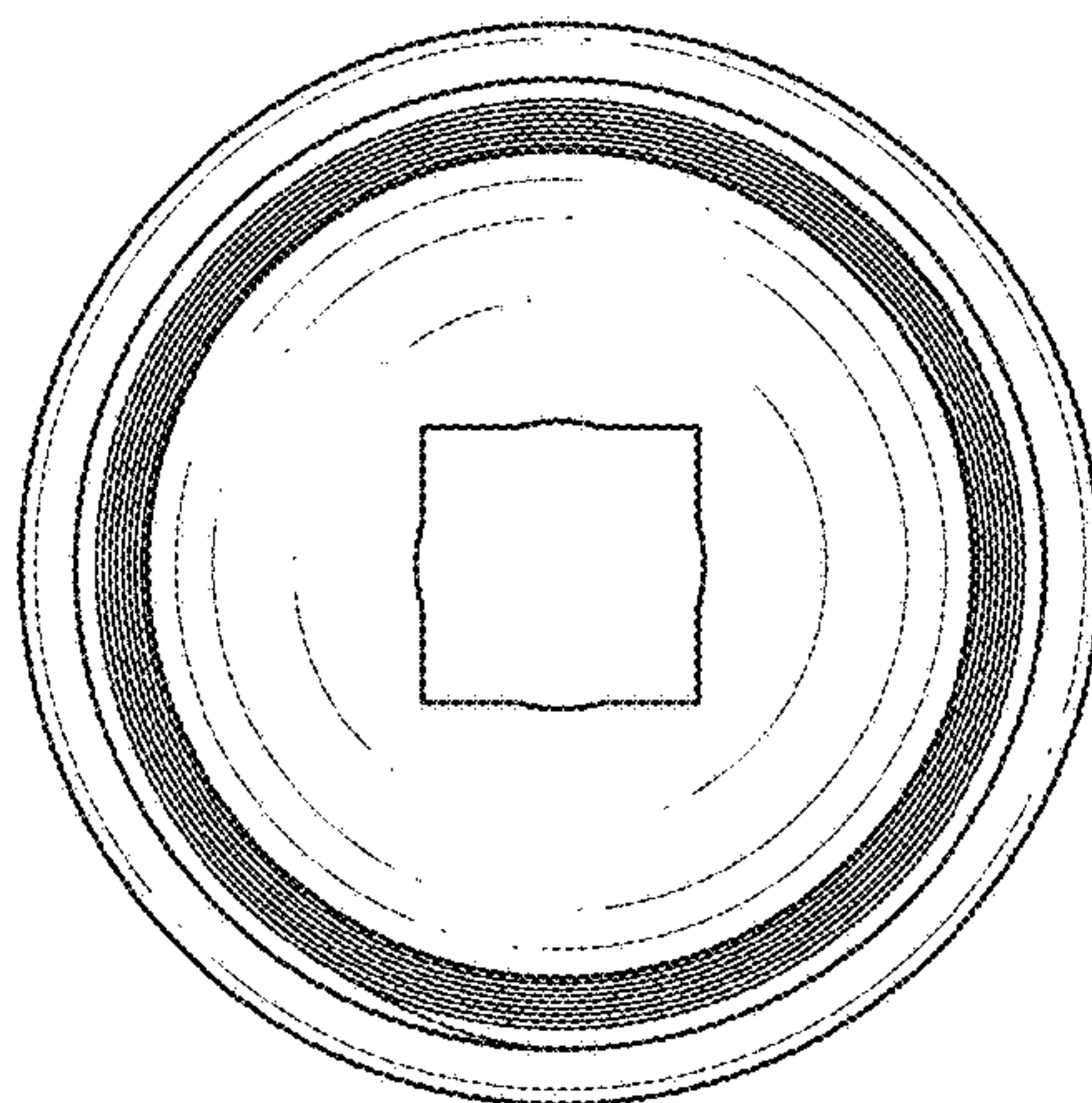
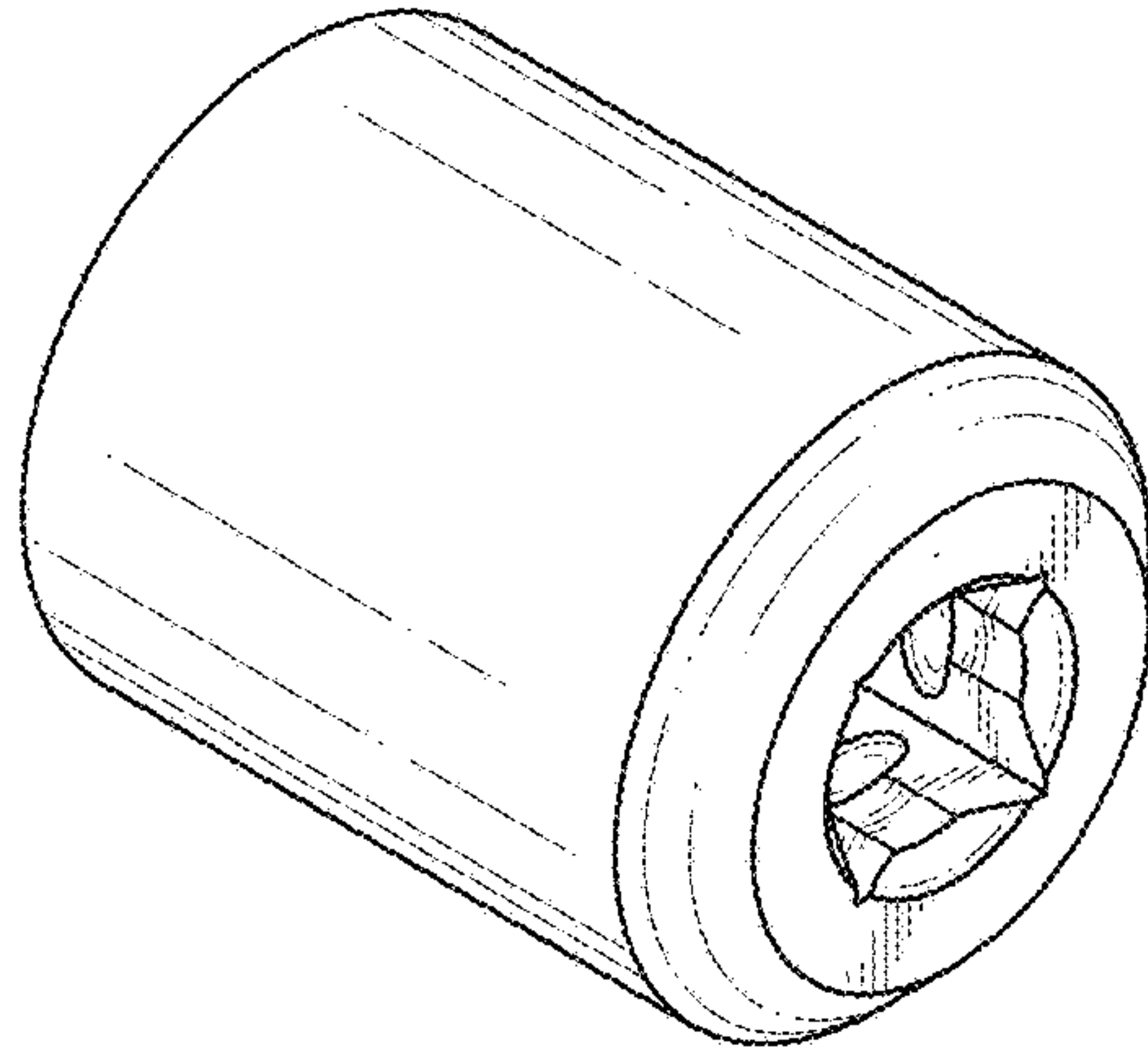
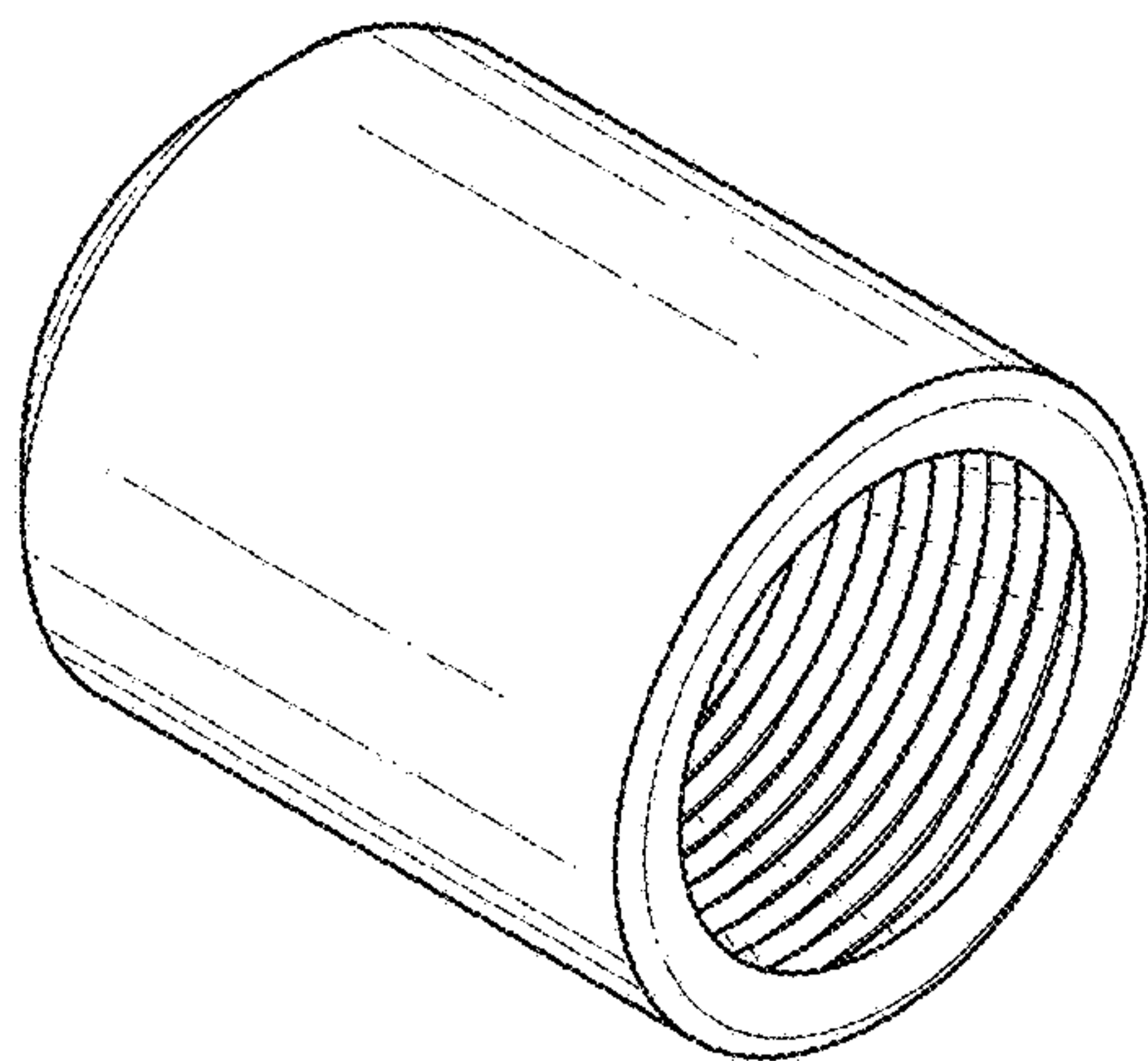


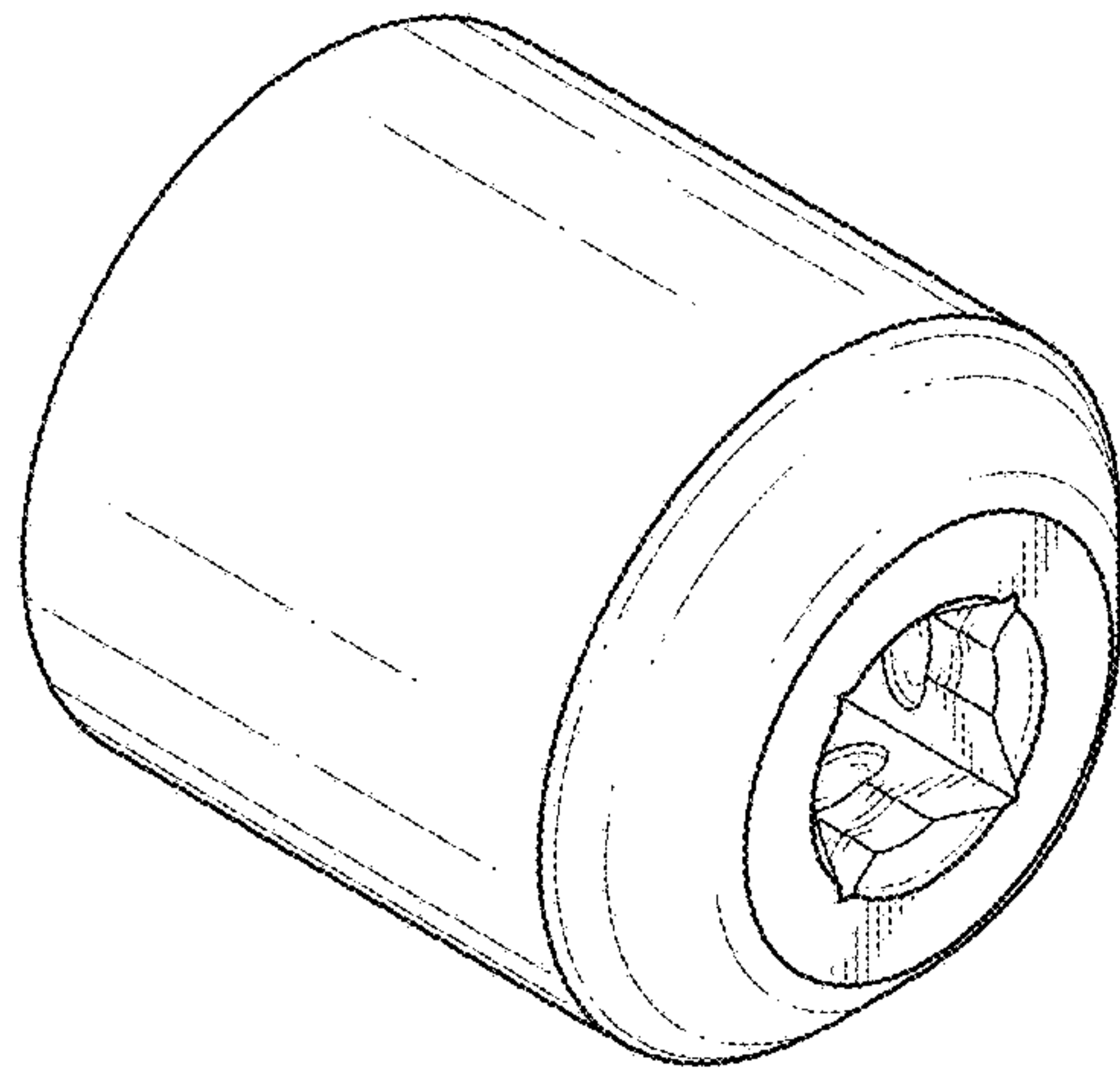
FIG. 5



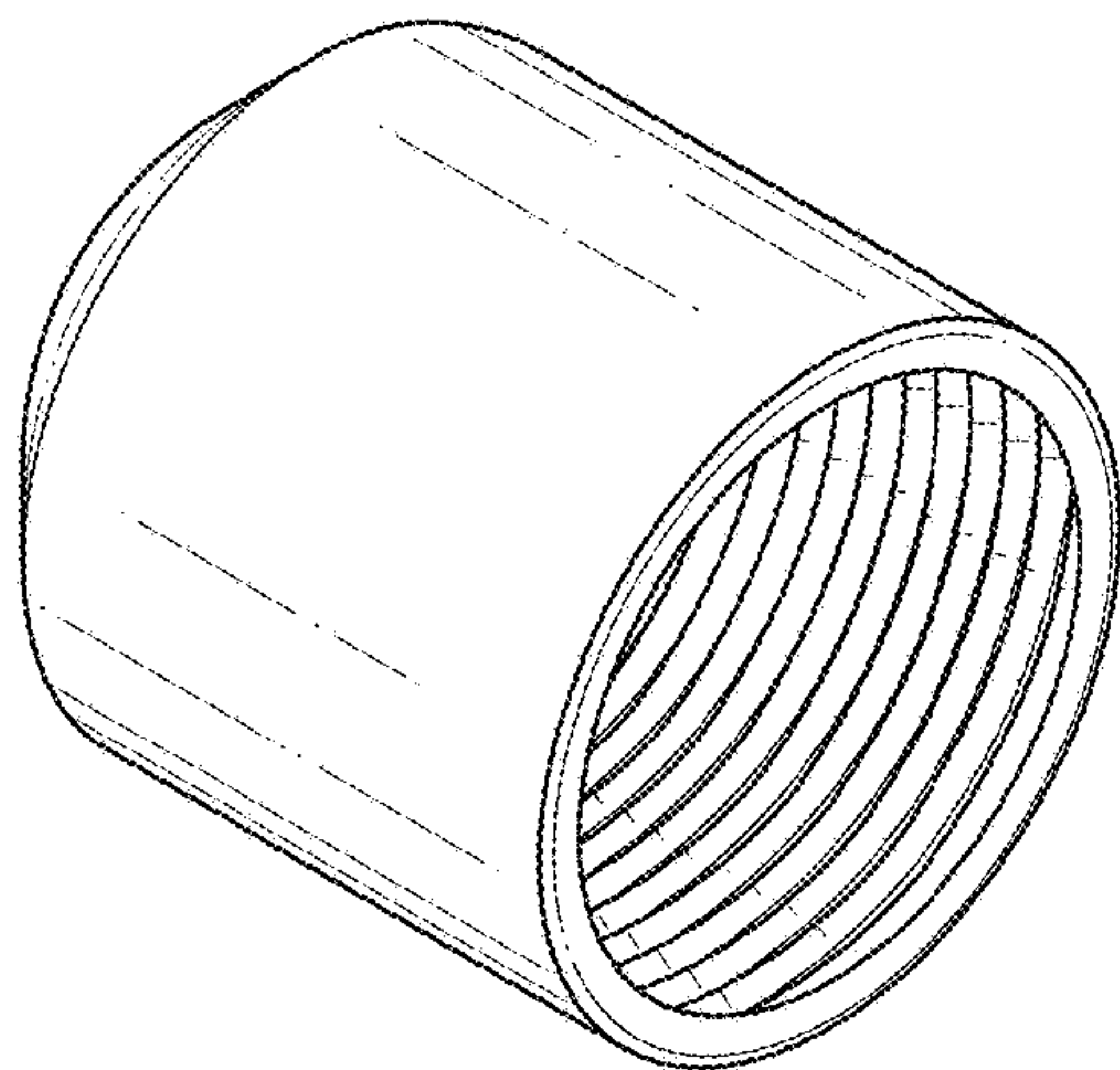
**FIG. 6**



**FIG. 7**



**FIG. 8**



**FIG. 9**