



US00D861445S

(12) **United States Design Patent**
Orikawa

(10) **Patent No.:** **US D861,445 S**

(45) **Date of Patent:** **** Oct. 1, 2019**

(54) **REMOTE MANIPULATION DEVICE**

D631,330 S * 1/2011 Richards D8/356

* cited by examiner

(71) Applicant: **NAGAKI SEIKI CO., LTD.**, Daito-shi,
Osaka (JP)

Primary Examiner — Randall H Gholson

(72) Inventor: **Tomohiro Orikawa**, Aomori (JP)

(74) *Attorney, Agent, or Firm* — Rabin & Berdo, P.C.

(73) Assignee: **NAGAKI SEIKI CO., LTD.**,
Daito-Shi, Osaka (JP)

(57) **CLAIM**

(**) Term: **15 Years**

The ornamental design for a remote manipulation device, as shown and described.

(21) Appl. No.: **29/621,087**

(22) Filed: **Oct. 4, 2017**

DESCRIPTION

(30) **Foreign Application Priority Data**

Jul. 12, 2017 (JP) 2017-015026

(51) **LOC (12) Cl.** **08-05**

(52) **U.S. Cl.**
USPC **D8/29; D8/107**

(58) **Field of Classification Search**
USPC D8/21, 25, 29, 60, 97, 107; 81/177.1,
81/177.85, 121.1, 124.3, 165-170, 110.1,
81/176.2, 124.6, 176.1, 176.15, 177.2,
81/467, 476, 478, 480; 16/110.1;
192/44, 45, 54.52; D24/133, 145, 147;
606/54, 59, 62, 63, 60, 64
CPC .. B25G 1/00; B25B 1/00; B25B 13/00; B25B
23/00

See application file for complete search history.

FIG. 1 is a front view of the remote manipulation device;
FIG. 2 is a rear view thereof;
FIG. 3 is a top view thereof;
FIG. 4 is a bottom view thereof;
FIG. 5 is a right side view thereof;
FIG. 6 is a left side view thereof;
FIG. 7 is a reduced front view thereof;
FIG. 8 is an enlarged view of cross-sectional surface A-A'
thereof;
FIG. 9 is an enlarged view of cross-sectional surface B-B'
thereof;
FIG. 10 is an enlarged view of cross-sectional surface C-C'
thereof;
FIG. 11 is an enlarged view of cross-sectional surface D-D'
thereof;
FIG. 12 is an enlarged right side view thereof;
FIG. 13 is an enlarged left side view thereof;
FIG. 14 is reduced perspective view thereof;
FIG. 15 is an enlarged view of cross-sectional surface E-E'
thereof; and,
FIG. 16 is an enlarged view of cross-sectional surface F-F'
thereof.

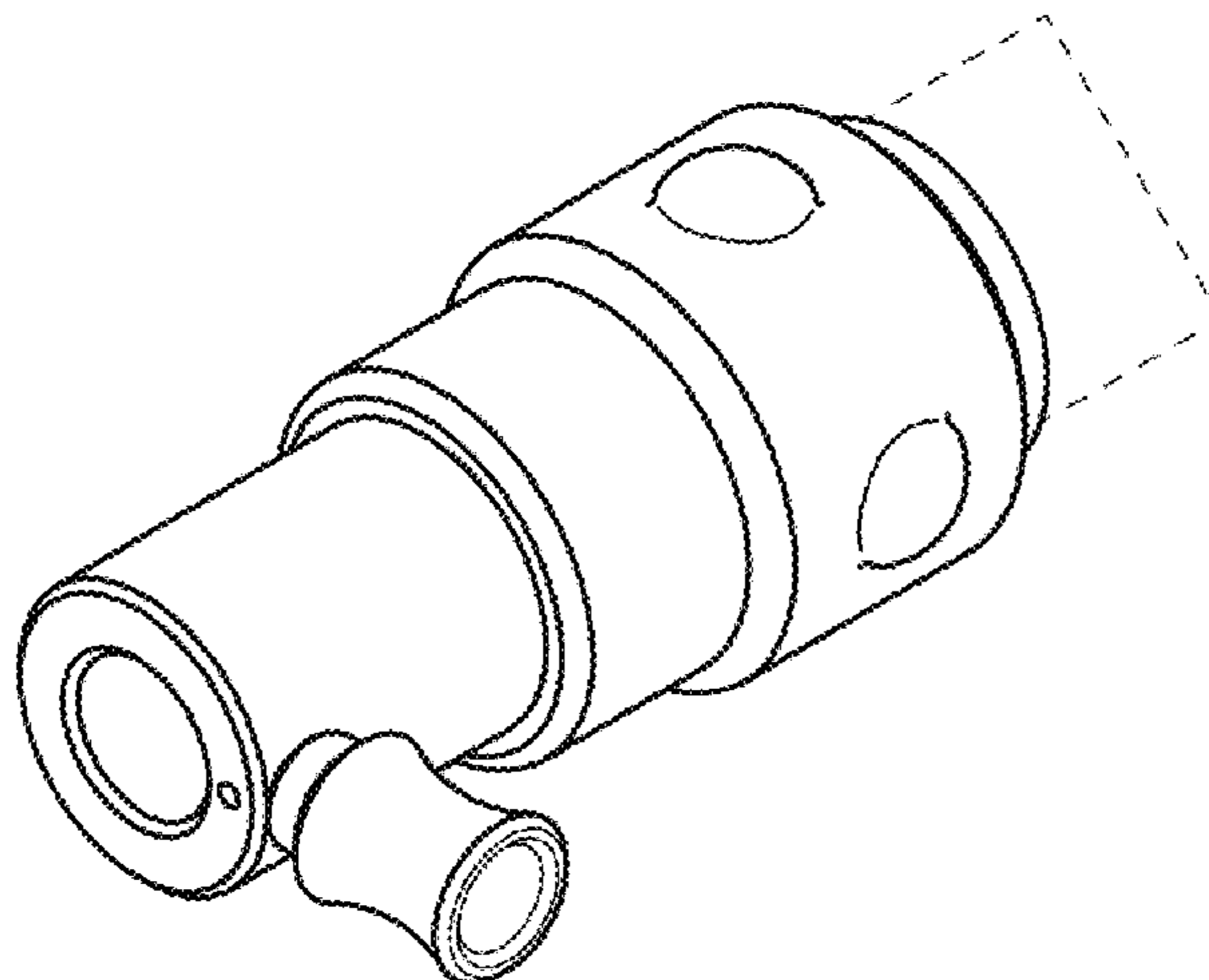
The broken lines illustrate unclaimed subject matter and form no part of the claimed invention.

(56) **References Cited**

U.S. PATENT DOCUMENTS

D358,310 S * 5/1995 Nygards D8/29
6,364,690 B1 * 4/2002 Nehm-Engelberts
H01R 9/031
439/394
D519,820 S * 5/2006 Newman D8/1

1 Claim, 4 Drawing Sheets



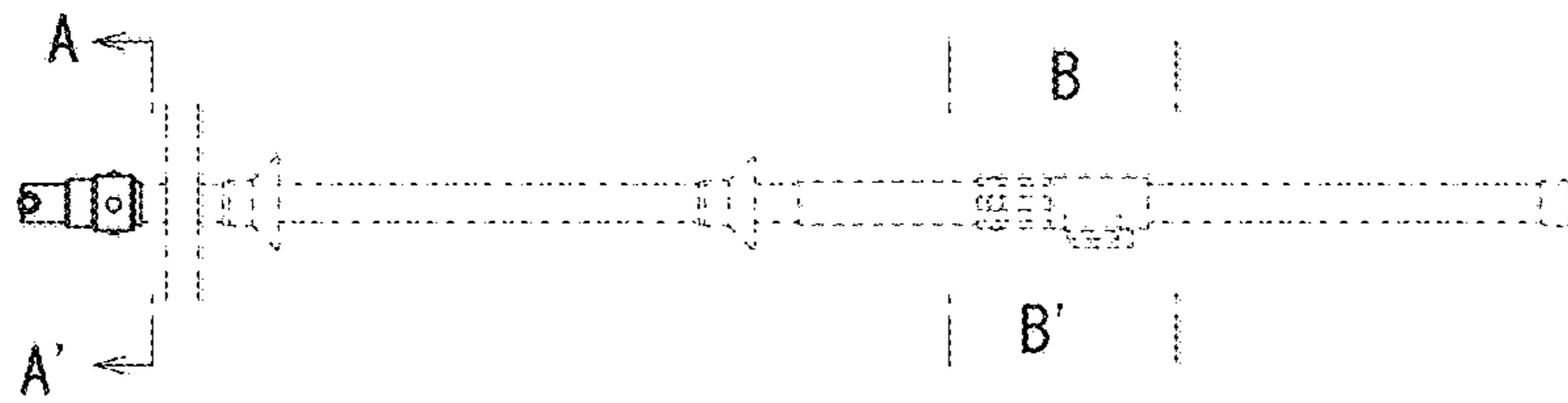


FIG. 1

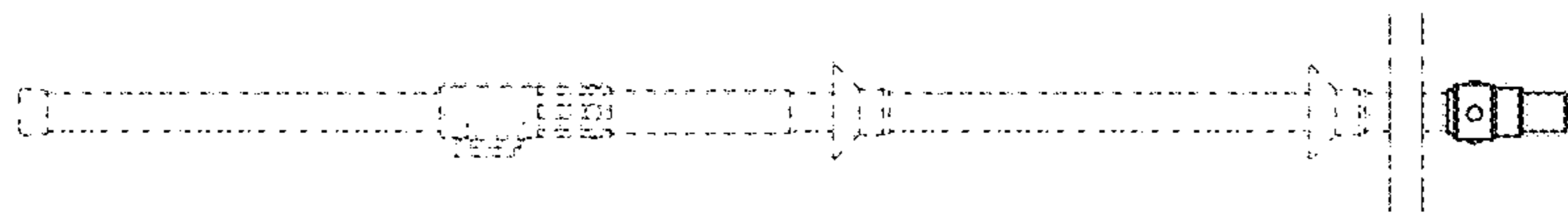


FIG. 2

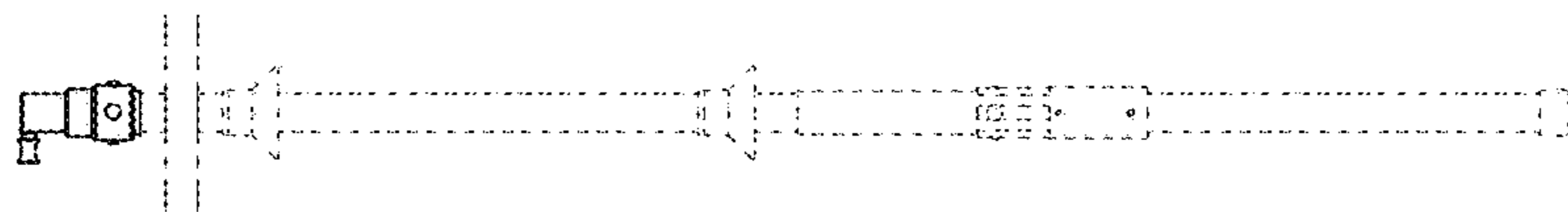


FIG. 3

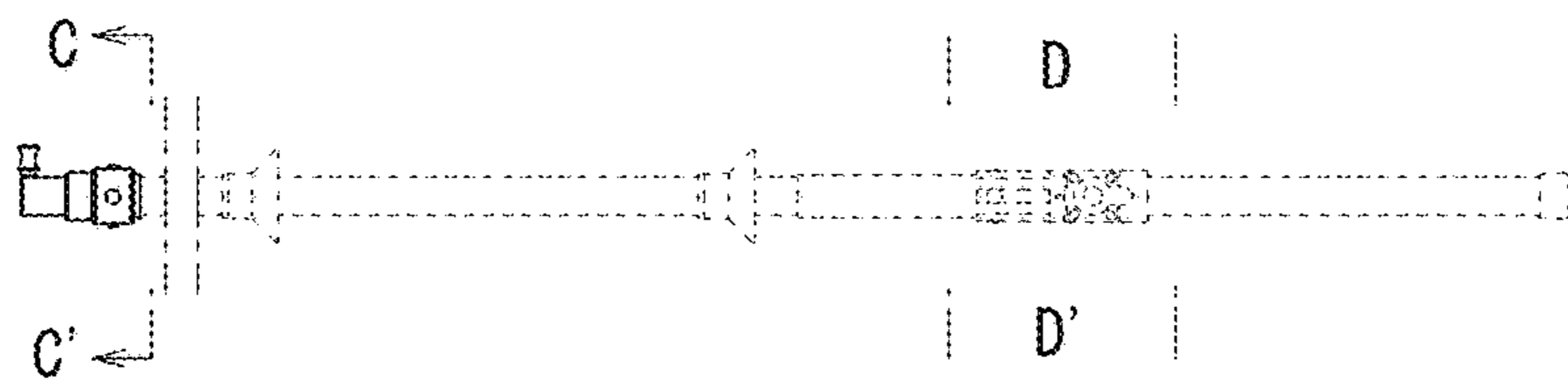


FIG. 4



FIG. 5



FIG. 6

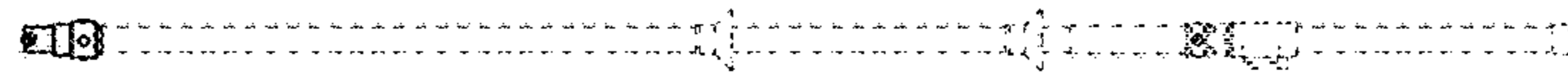


FIG. 7

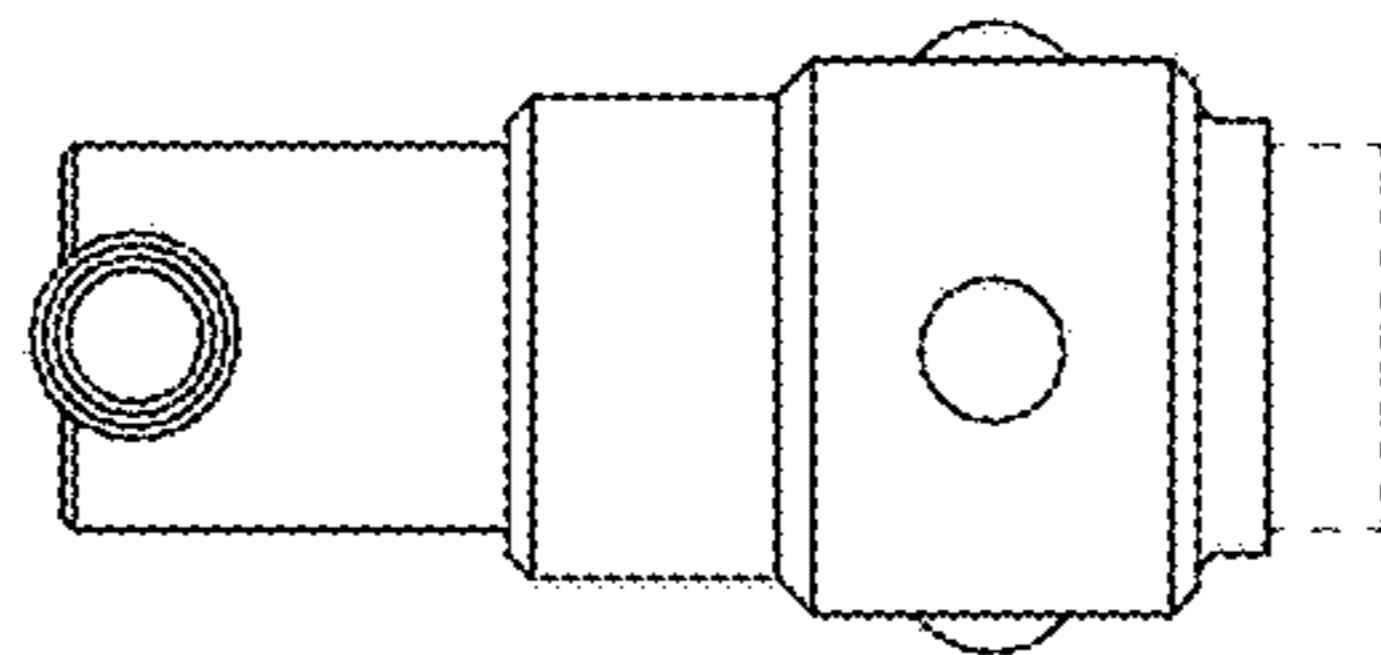


FIG. 8

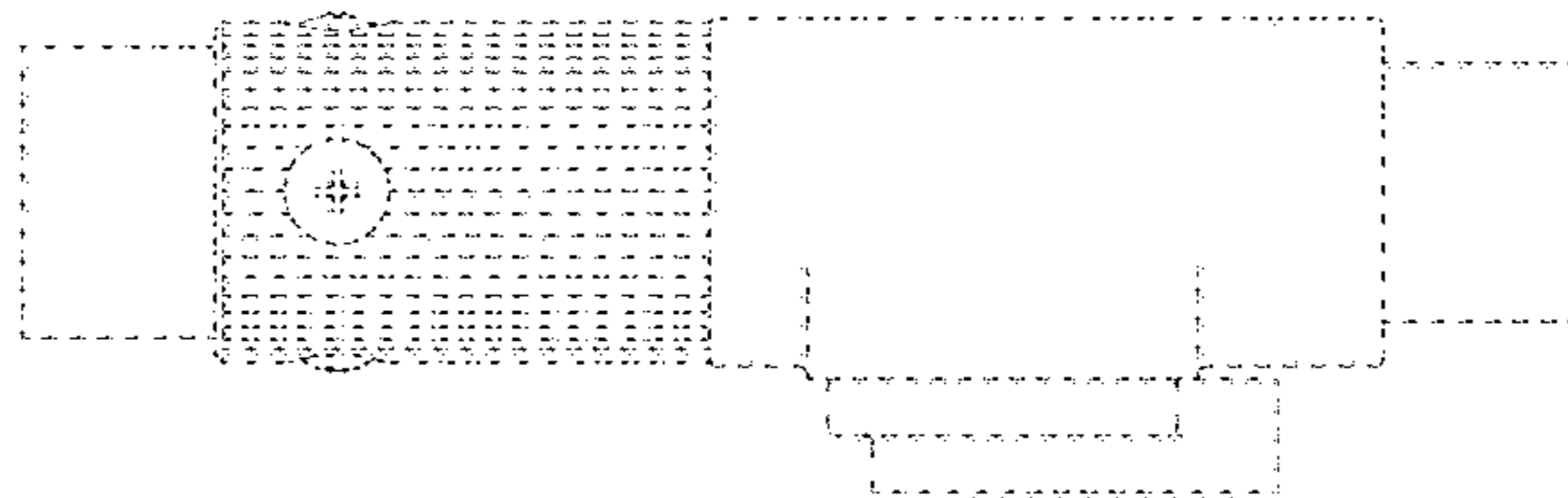


FIG. 9

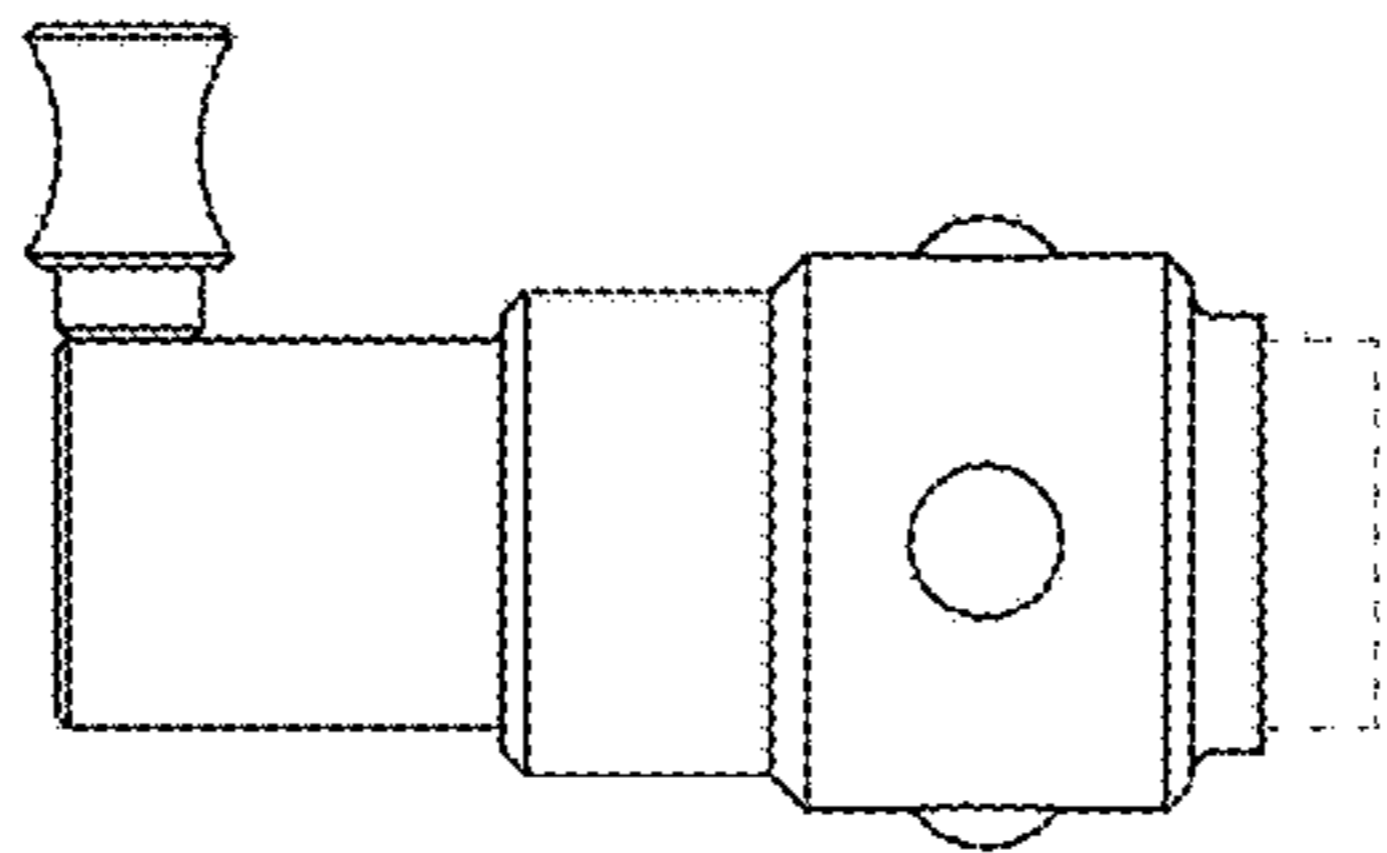


FIG. 10

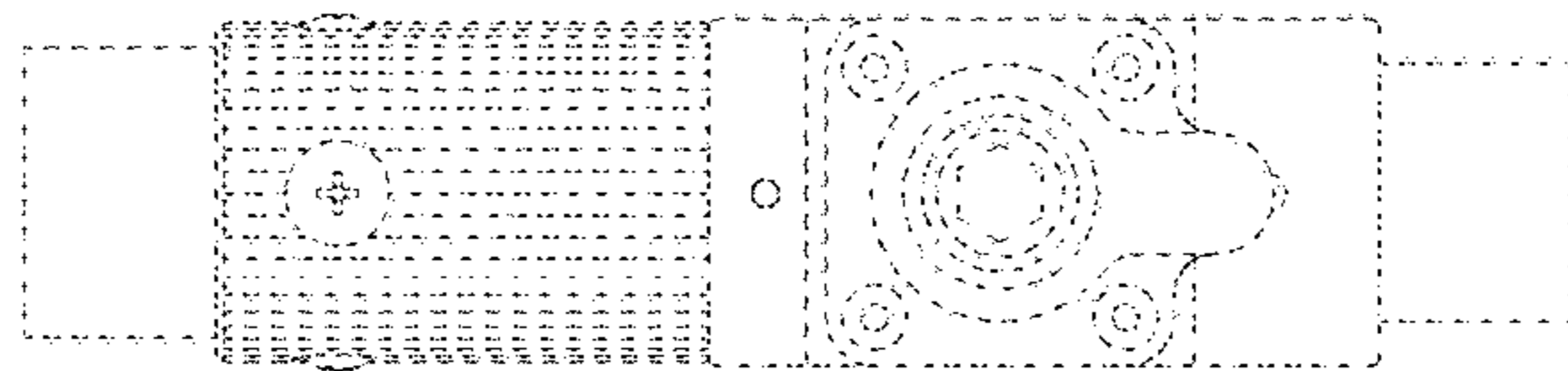


FIG. 11

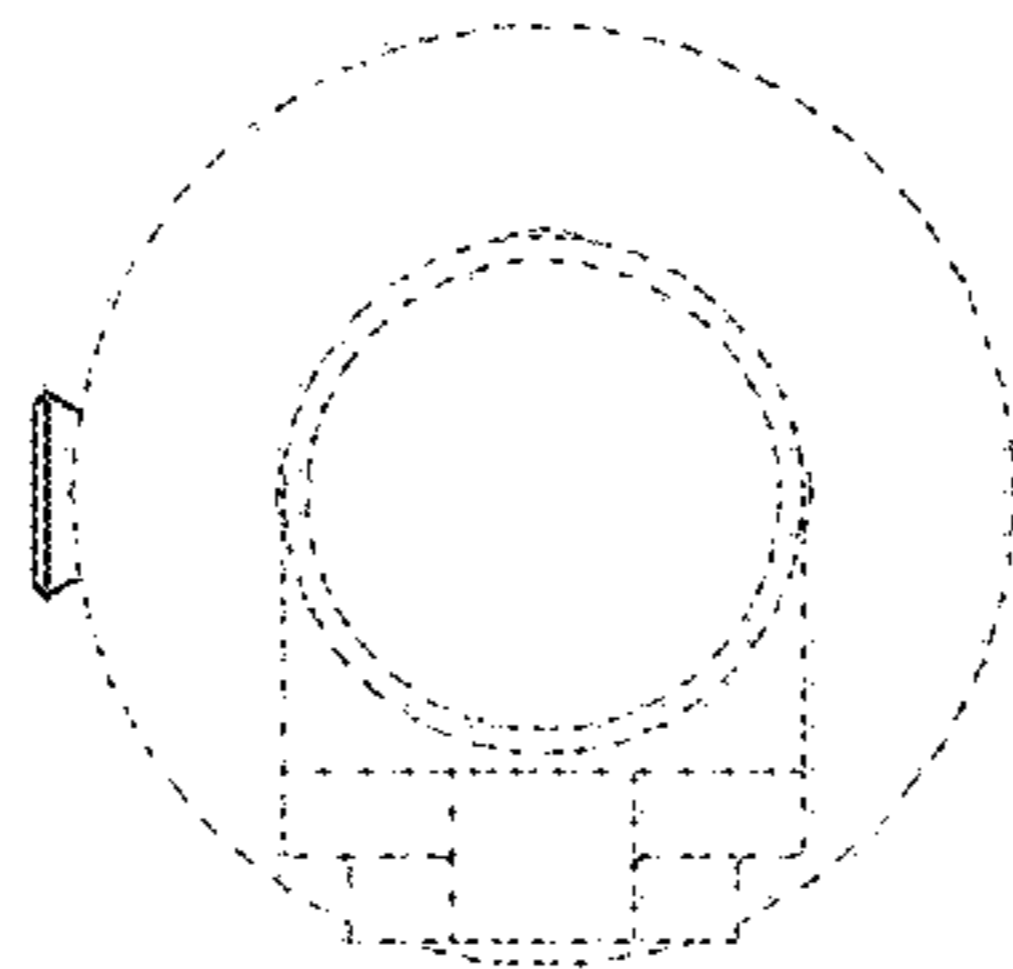


FIG. 12

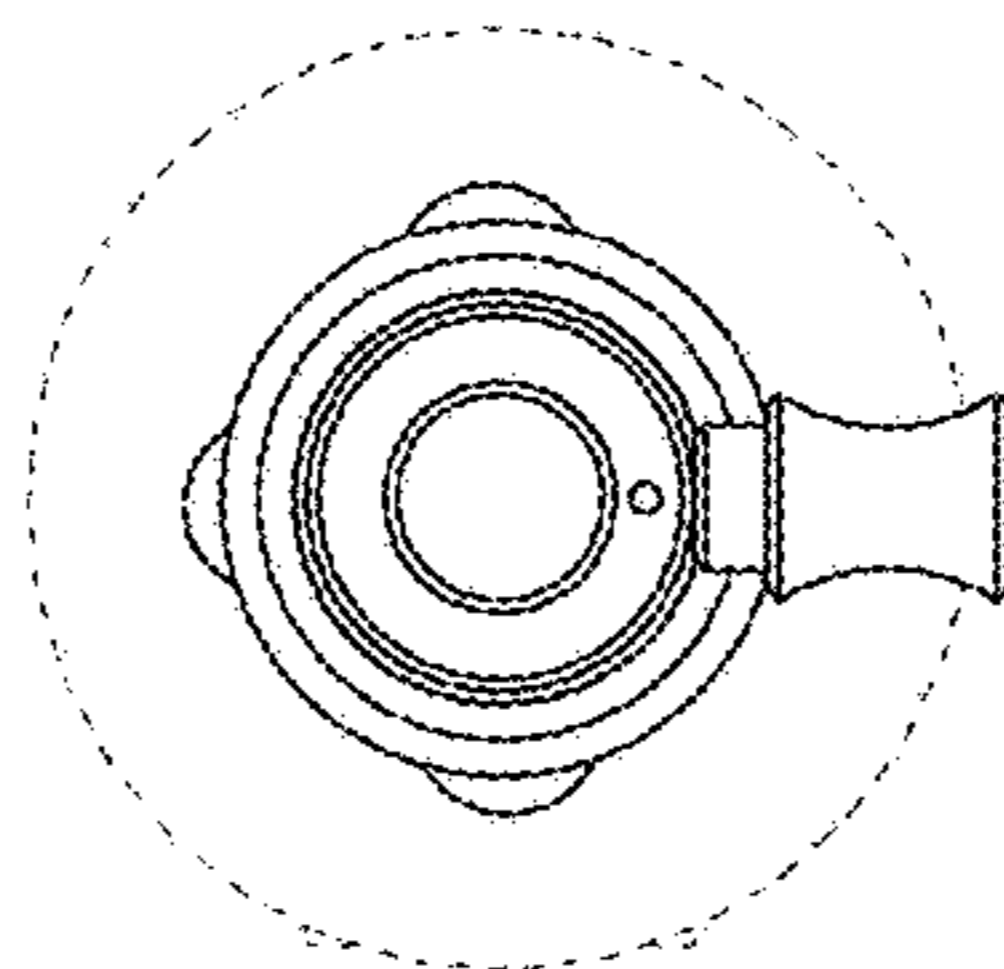


FIG. 13

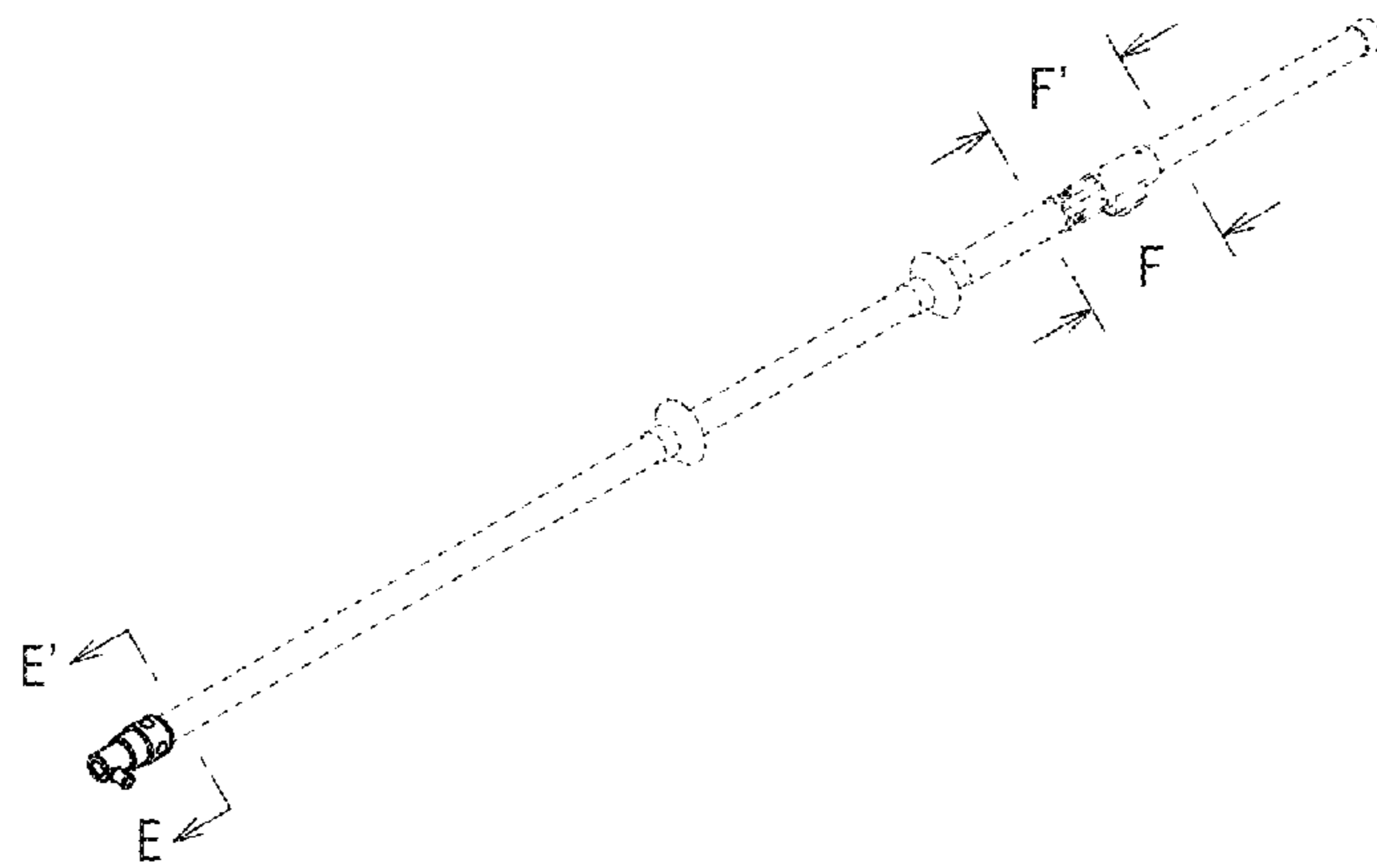


FIG. 14

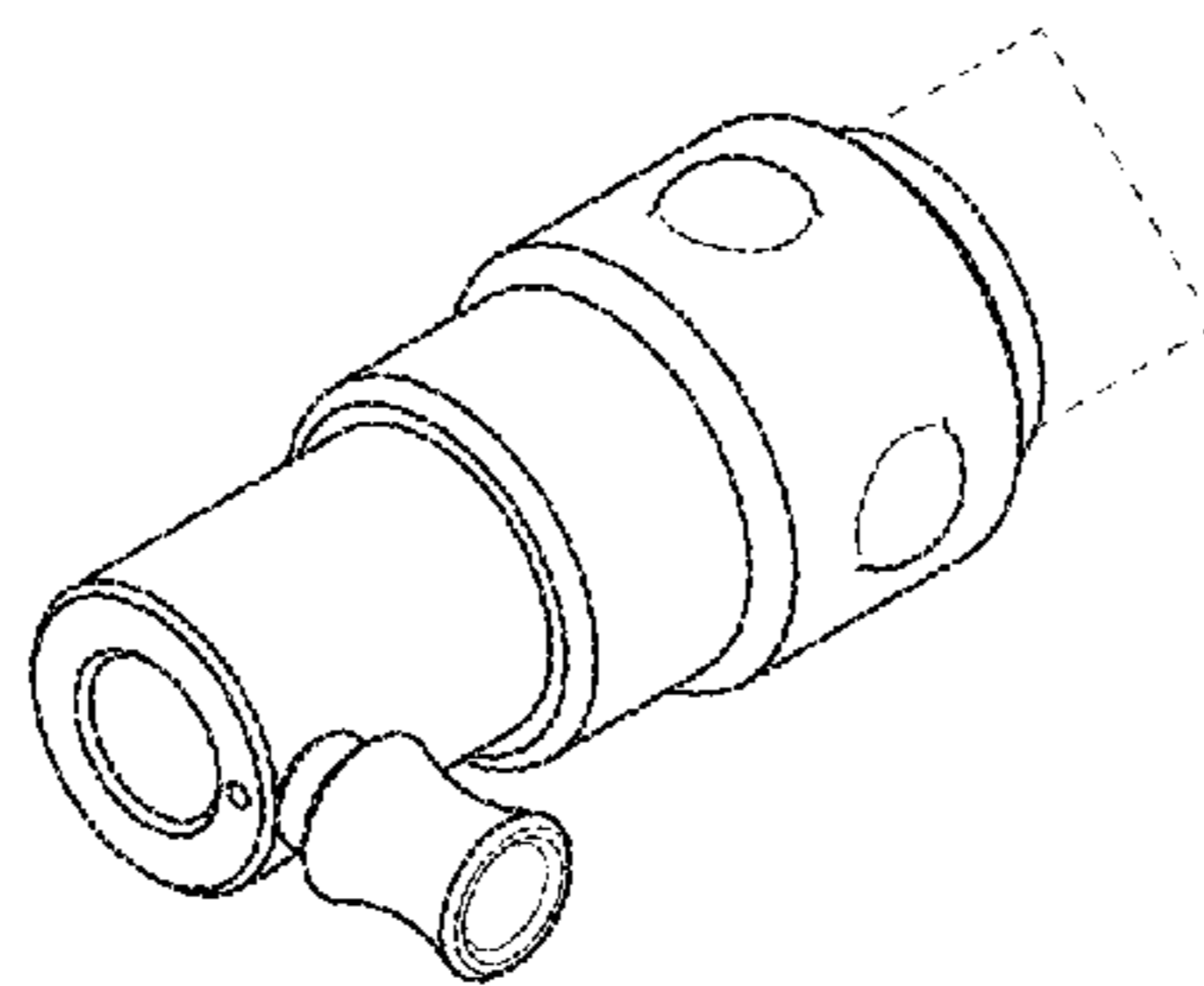


FIG. 15

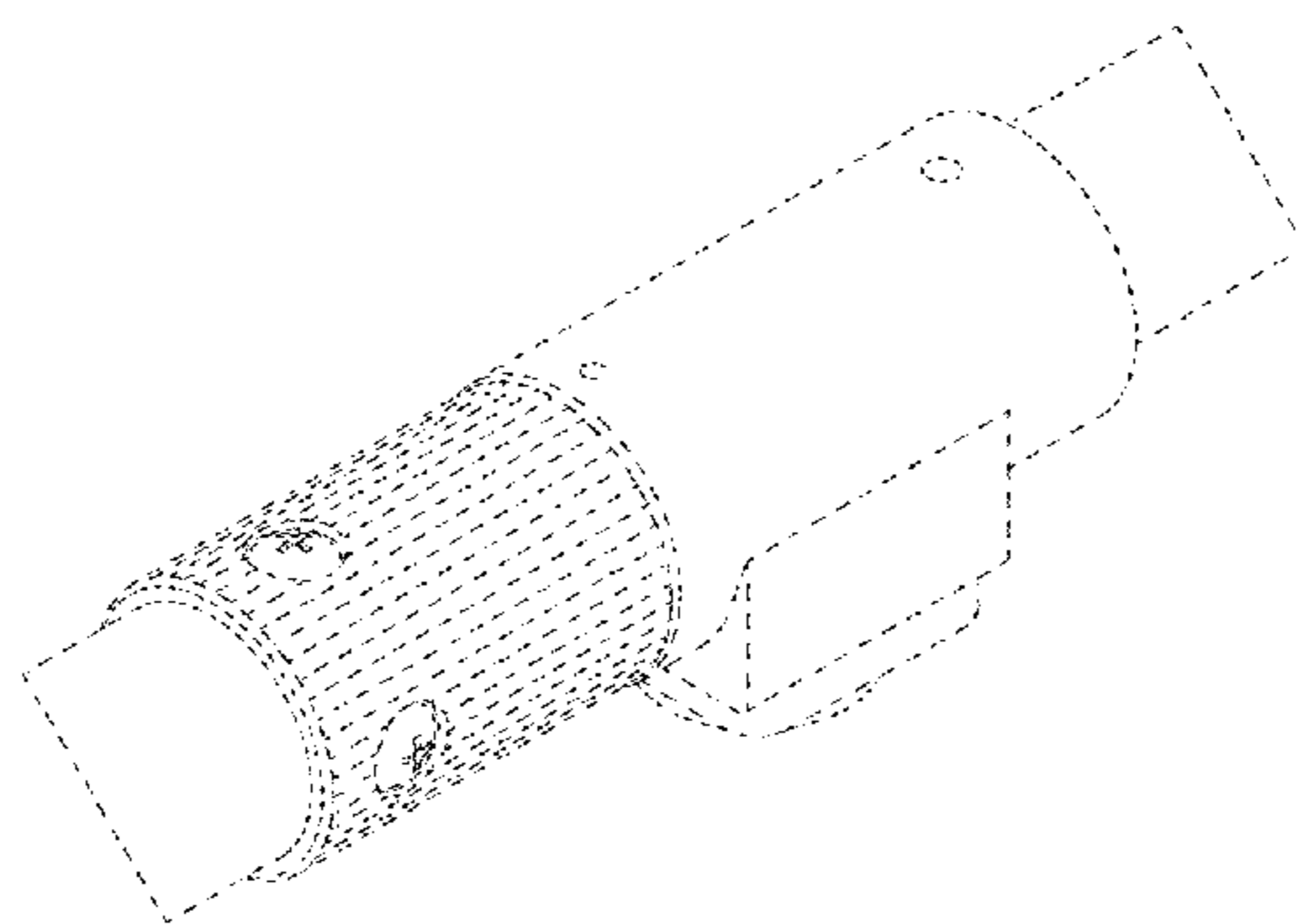


FIG. 16