



US00D861438S

(12) **United States Design Patent** (10) **Patent No.:** **US D861,438 S**
Pietola (45) **Date of Patent:** **** Oct. 1, 2019**

(54) **COOLER FOR BEVERAGES**

(71) Applicant: **NORDIC 24/7 SERVICES OY**, Espoo (FI)

(72) Inventor: **Paavo Pietola**, Helsinki (FI)

(73) Assignee: **Nordic 24/7 Services OY**, Espoo (FI)

(**) Term: **15 Years**

(21) Appl. No.: **29/647,801**

(22) Filed: **May 15, 2018**

(30) **Foreign Application Priority Data**

Dec. 15, 2017 (EM) 004548618-0001

(51) **LOC (12) Cl.** **07-01**

(52) **U.S. Cl.**
USPC **D7/605**

(58) **Field of Classification Search**

USPC D7/605-608, 629, 630
 CPC B65D 81/3888; B65D 81/38;
 B65D 81/3813; B65D 81/3816; B65D
 81/3818; B65D 81/3823; B65D 81/3858;
 B65D 81/383; B65D 3/22; A45C 11/20;
 A45C 5/14; A45C 5/03; A45C 9/00;
 A45F 3/46; F25D 3/02; F25D 3/04; F25D
 3/06; F25D 3/08; F25D 3/11; F25D 3/14;
 F25D 2331/804; F25D 31/005; A47B
 77/08; A47J 41/022; A47G 19/2288;
 B26B 3/003; F25B 19/00

See application file for complete search history.

(56) **References Cited**

U.S. PATENT DOCUMENTS

3,182,884 A * 5/1965 Waldron B65D 3/22
 206/592
 4,347,713 A * 9/1982 Morrison B65D 81/383
 62/371
 D270,985 S * 10/1983 Hill D7/608
 5,277,328 A * 1/1994 Tocco A45C 11/20
 206/315.3
 D369,525 S * 5/1996 Winters D7/608
 D490,274 S * 5/2004 Irvine D7/523

* cited by examiner

Primary Examiner — Terry A Wallace

(74) *Attorney, Agent, or Firm* — Hoffmann & Baron, LLP

(57) **CLAIM**

The ornamental design for a cooler for beverages, as shown and described.

DESCRIPTION

FIG. 1 is a perspective view showing the top, front and left side view of the cooler for beverages of my new design in the open position;
 FIG. 2 is a right side view thereof in the closed position;
 FIG. 3 is a front view thereof in the open position;
 FIG. 4 is a front view thereof in the closed position;
 FIG. 5 is a rear view thereof in the closed position;
 FIG. 6 is a top view thereof; and,
 FIG. 7 is a bottom view thereof.

1 Claim, 7 Drawing Sheets

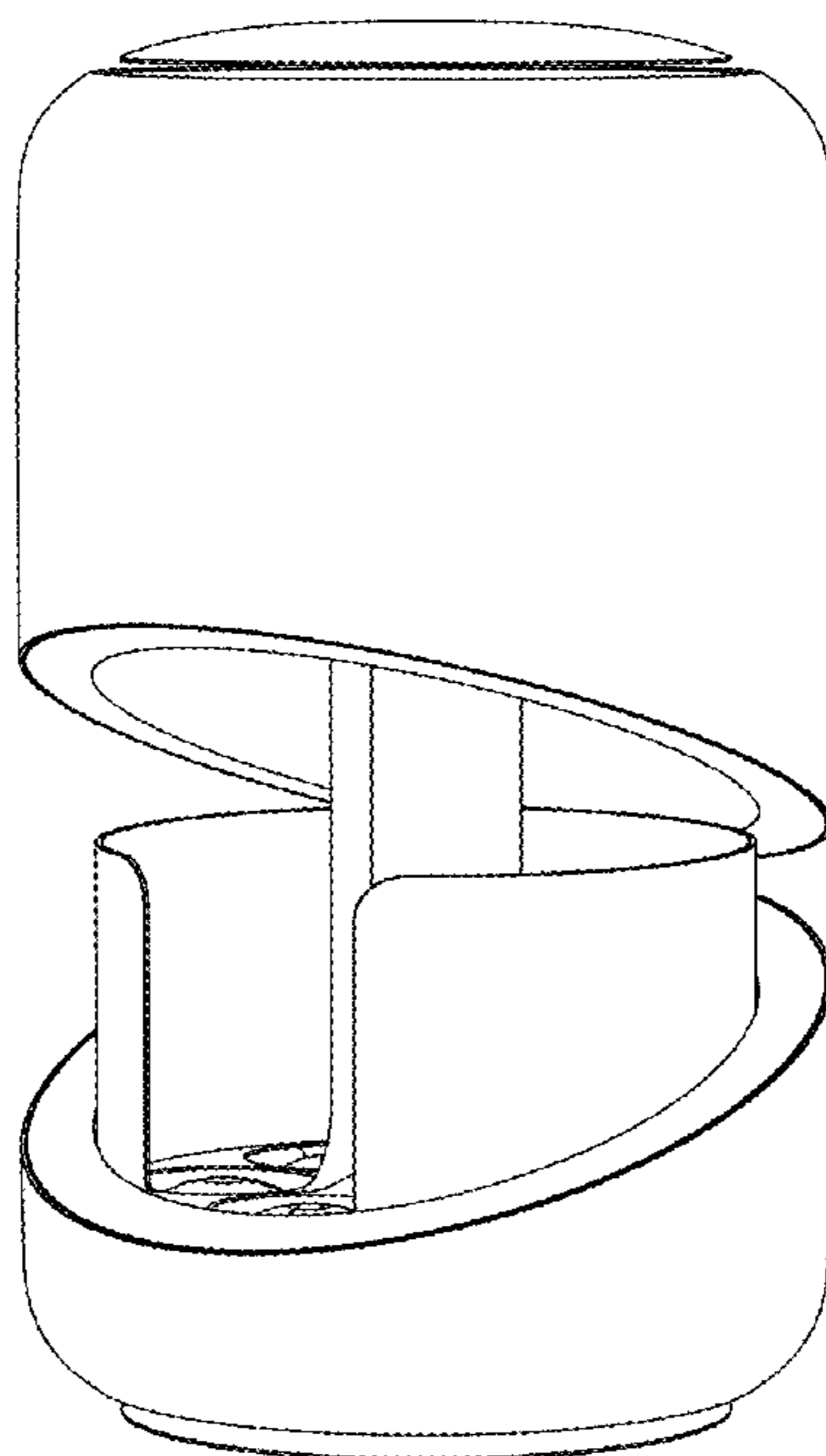


FIG. 1

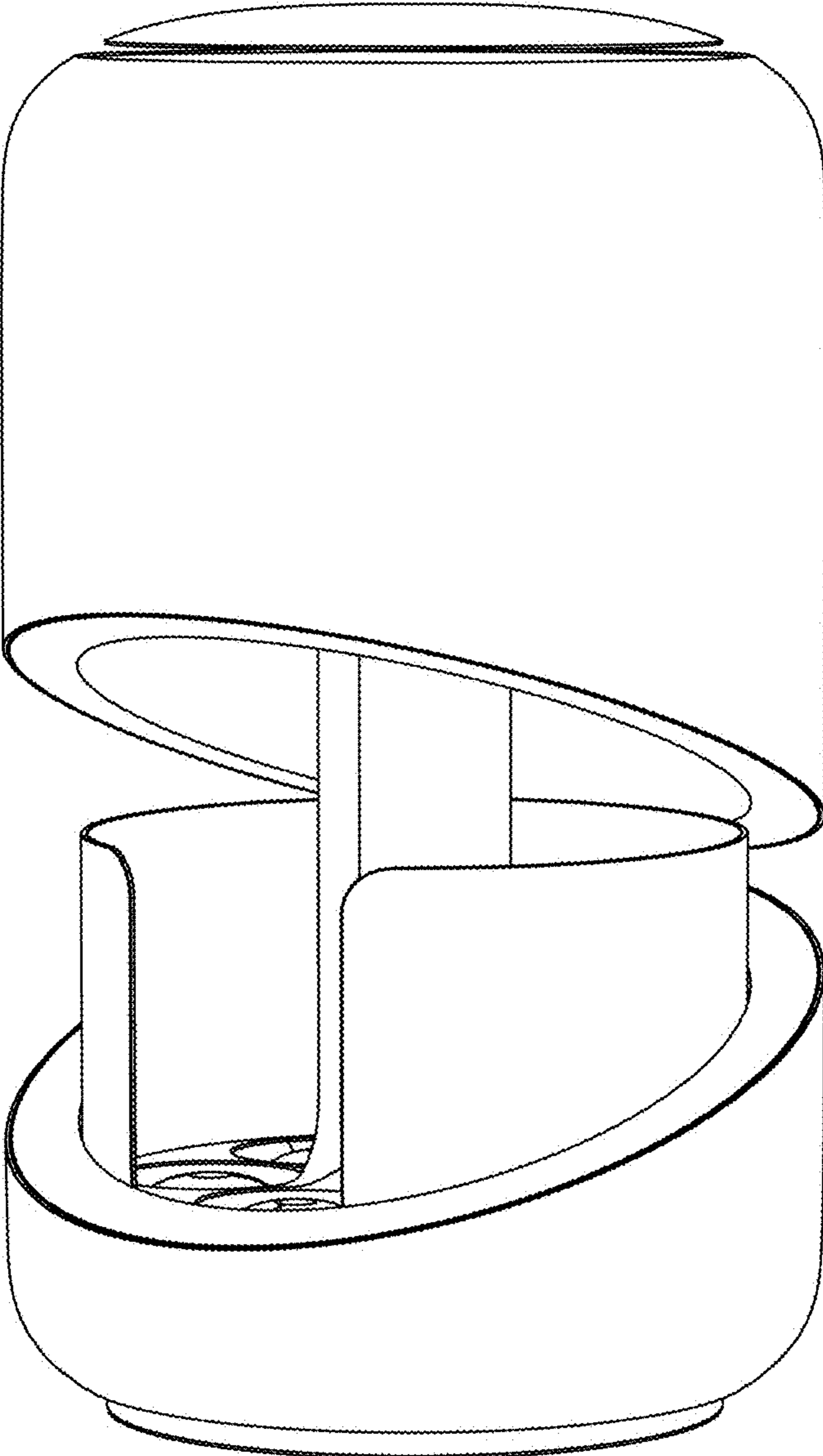


FIG. 2

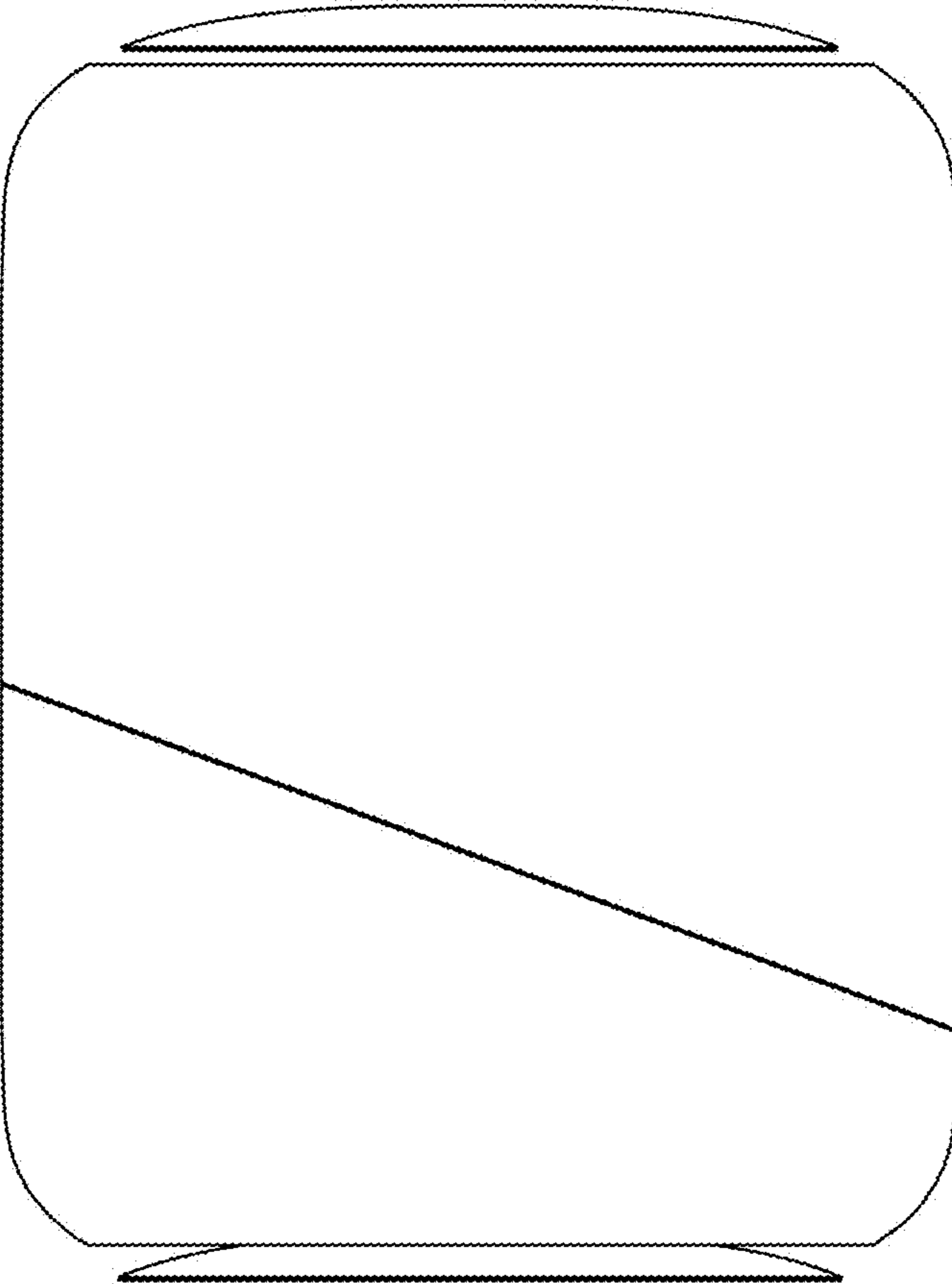


FIG. 3

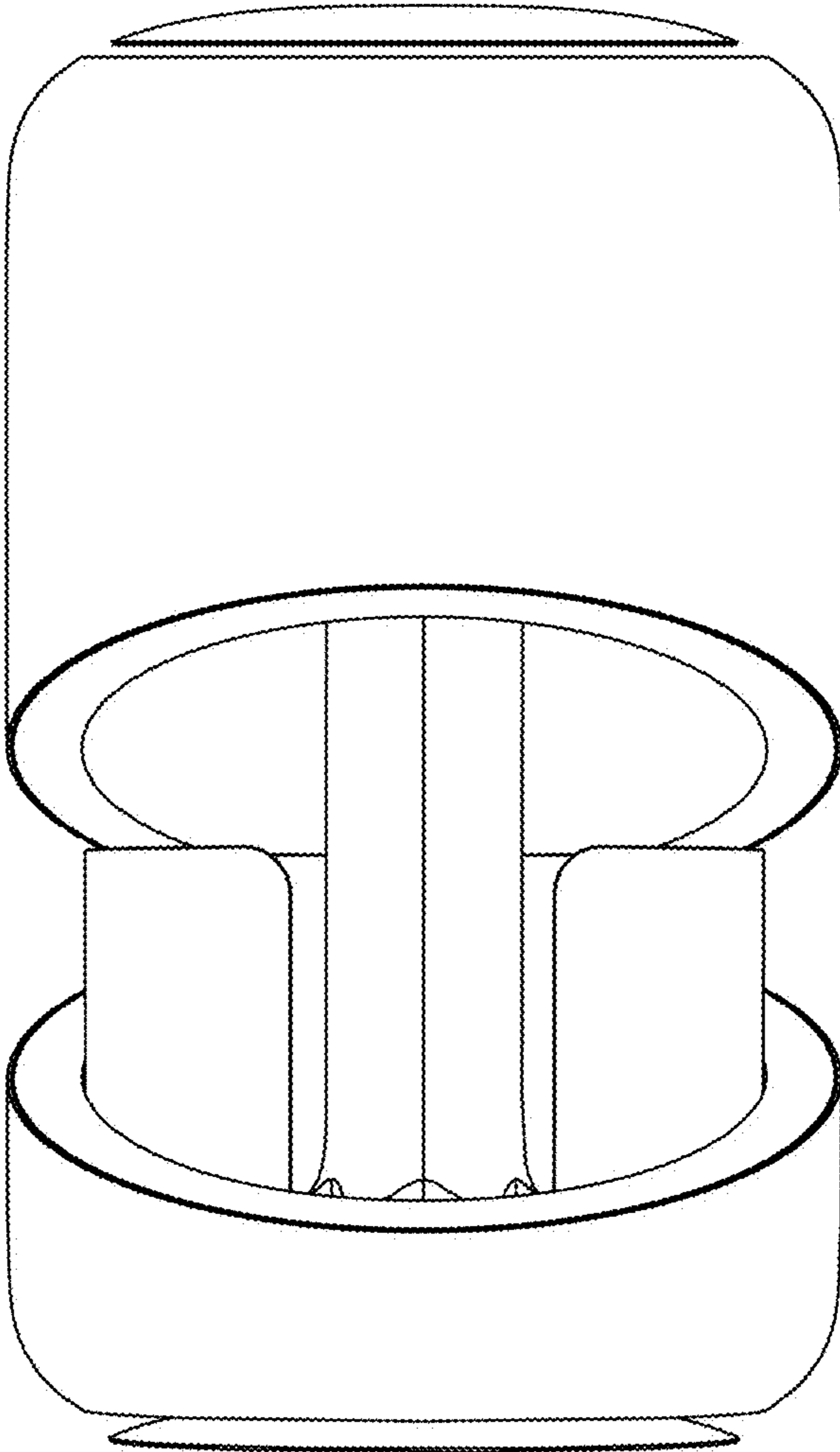


FIG. 4

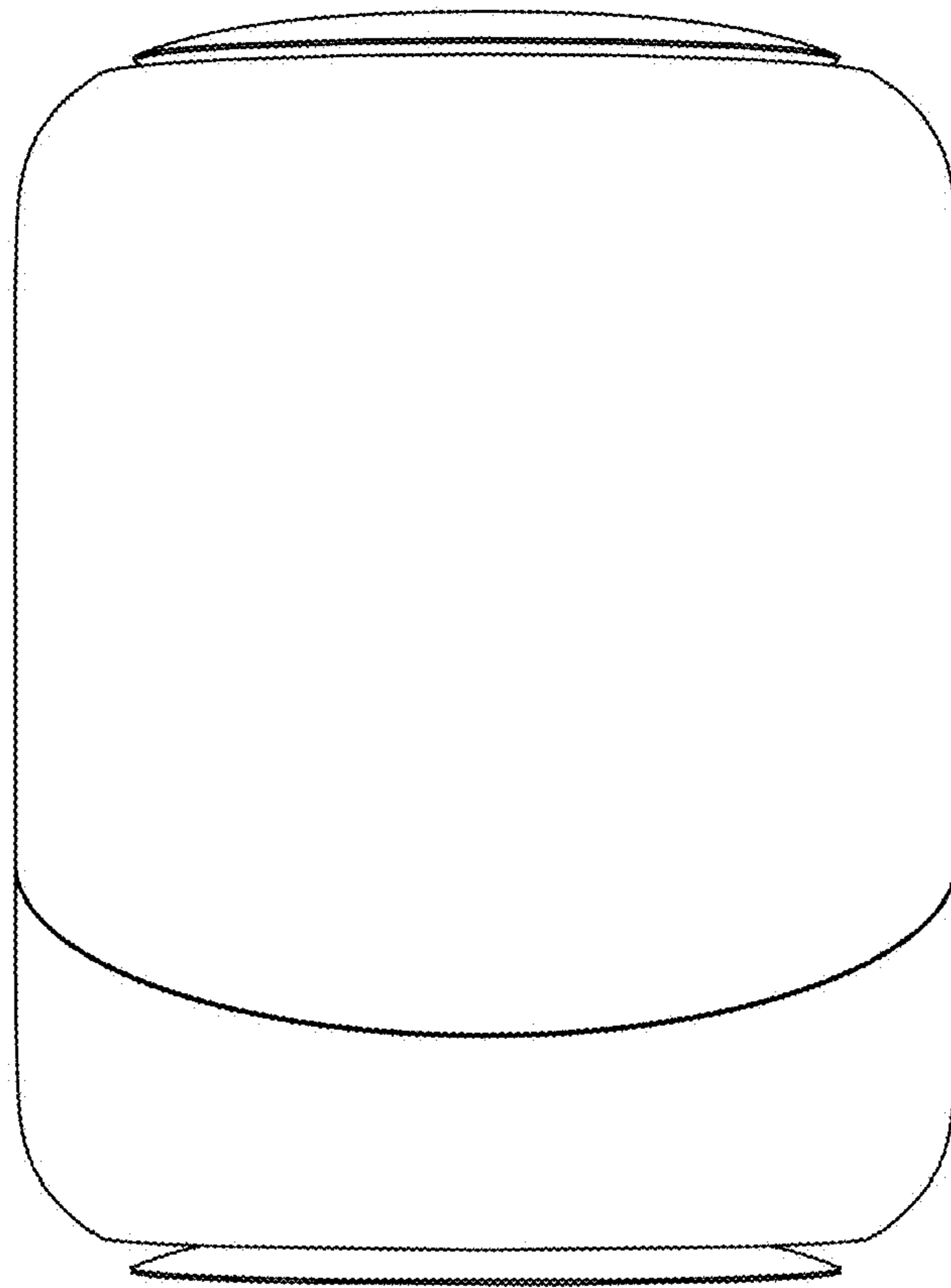


FIG. 5

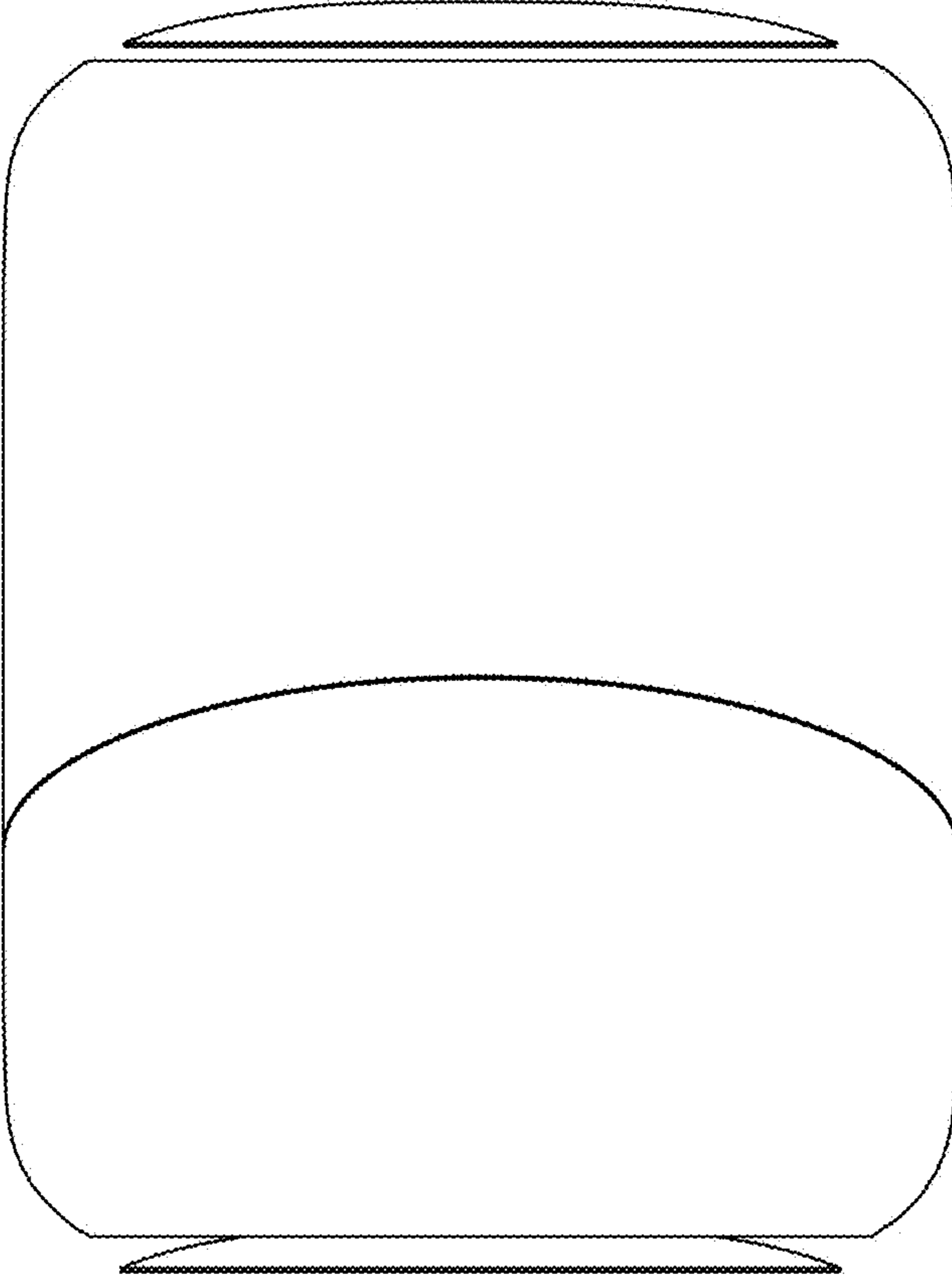


FIG. 6

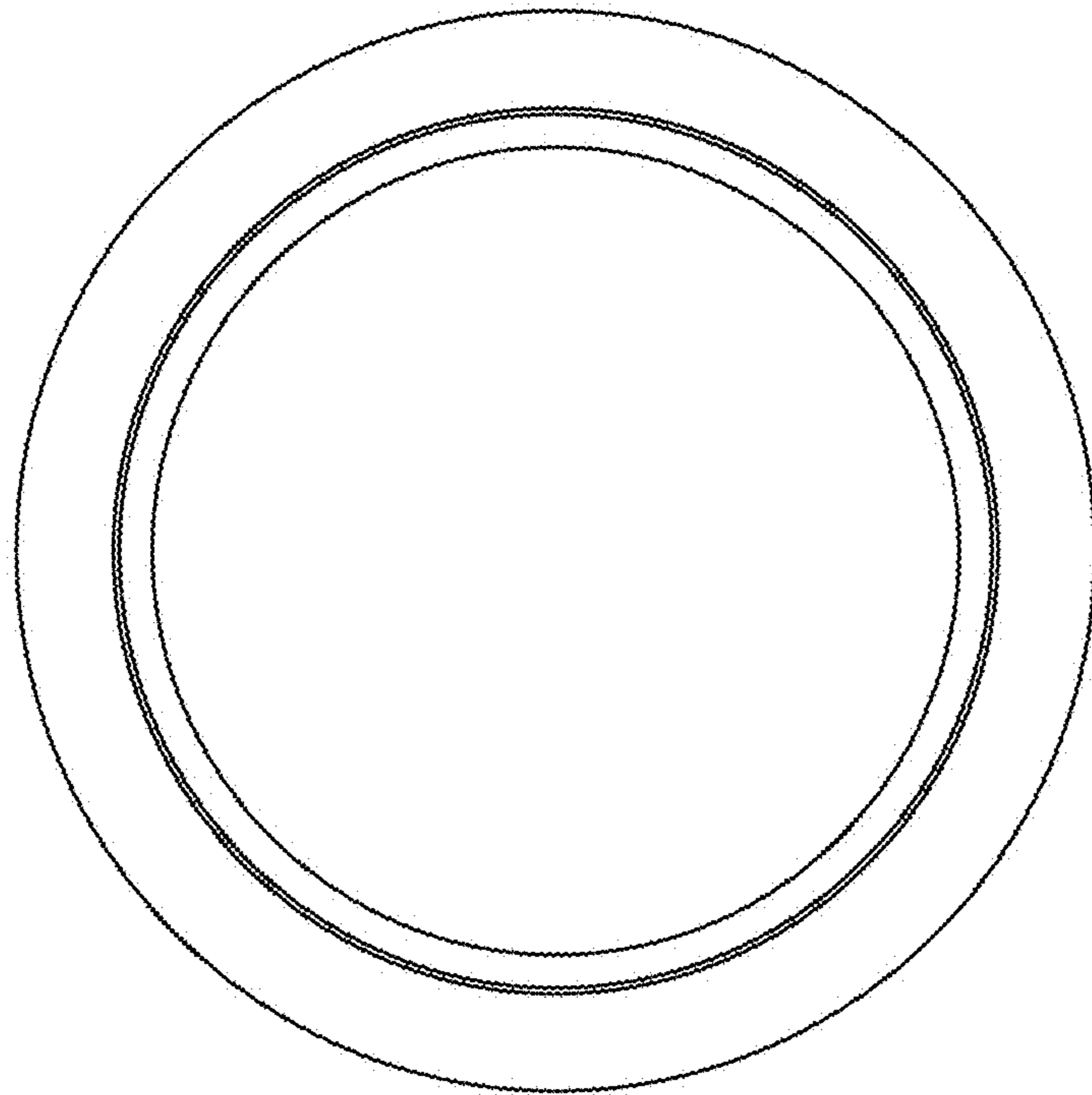


FIG. 7

