

US00D861435S

(12) **United States Design Patent**
Yang

(10) **Patent No.:** **US D861,435 S**
(45) **Date of Patent:** **** Oct. 1, 2019**

- (54) **COLLAPSIBLE CUP**
- (71) Applicant: **Newsun Silicone Products Co., Ltd.,**
Shenzhen (CN)
- (72) Inventor: **Haoyang Yang,** Lufeng (CN)
- (73) Assignee: **Newsun Silicone Products Co., Ltd.,**
Shenzhen (CN)
- (**) Term: **15 Years**
- (21) Appl. No.: **29/682,676**
- (22) Filed: **Mar. 7, 2019**
- (51) **LOC (12) Cl.** **07-01**
- (52) **U.S. Cl.**
USPC **D7/512; D7/532; D7/510**
- (58) **Field of Classification Search**
USPC D7/300.1, 510, 511, 598, 599, 600, 608,
D7/515, 512, 532; D9/680; D22/112;
102/486; D29/125, 126; 220/713, 715, 8
CPC B65D 1/40; B65D 21/086; A47G 21/18;
A45F 2003/205; A47J 41/0055; A47J
41/0022
See application file for complete search history.

D710,650 S	8/2014	Blum	
8,887,942 B2 *	11/2014	Miksovsky B65D 1/40 206/218
9,119,507 B2 *	9/2015	Abrams A47J 41/0022
D756,705 S *	5/2016	Abrams D7/510
D803,625 S *	11/2017	Garcia D7/532
D819,406 S *	6/2018	Rivera D7/532
D825,993 S *	8/2018	Sadhvani D7/510
D832,051 S *	10/2018	Charleson D7/512
2013/0277364 A1 *	10/2013	Kusuma A45F 3/20 220/8
2015/0041478 A1 *	2/2015	Abrams A47J 41/0022 220/592.17

* cited by examiner

Primary Examiner — Marianne N Pandozzi

(57) **CLAIM**

The ornamental design for a collapsible cup, as shown and described.

DESCRIPTION

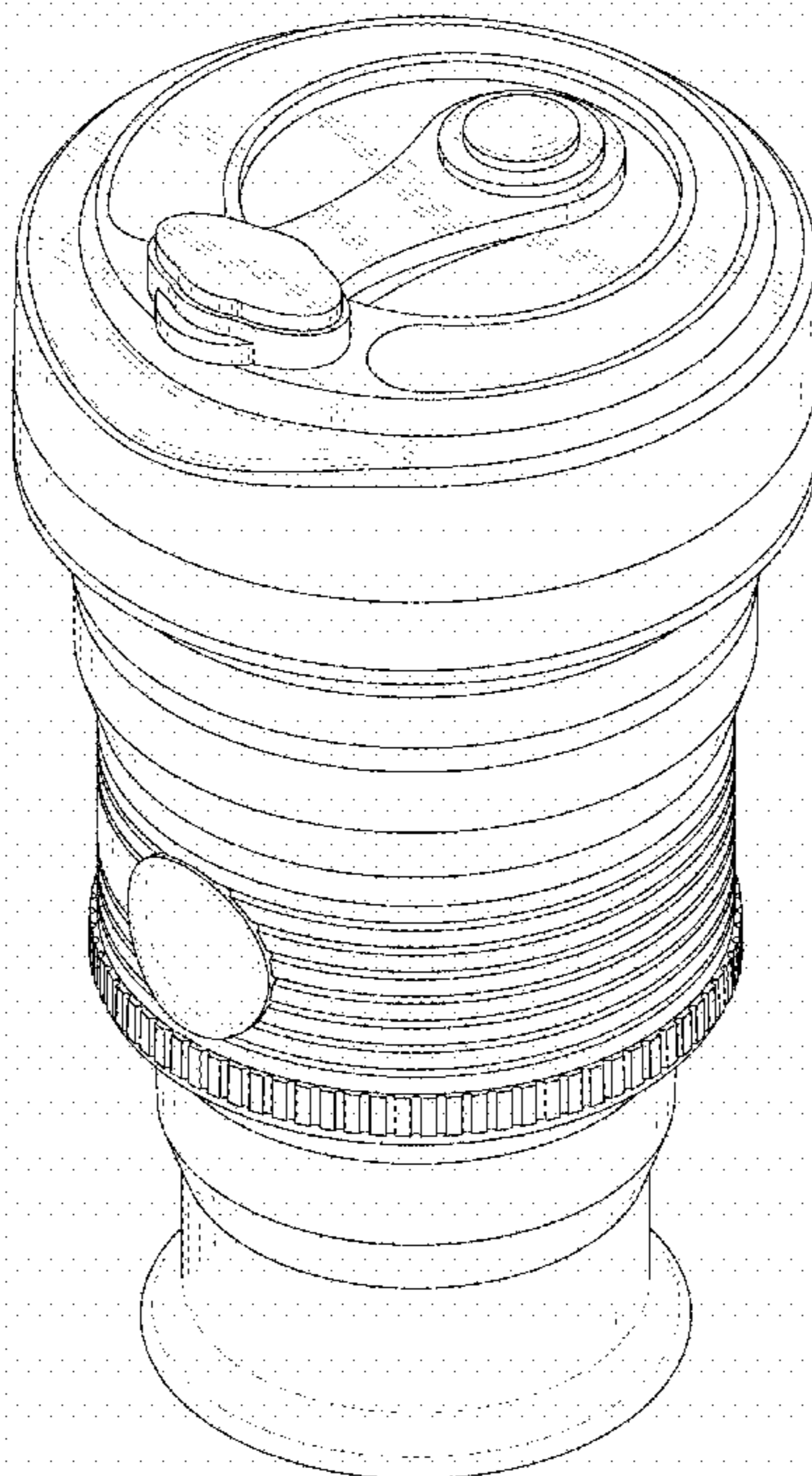
FIG. 1 is a first perspective view of a collapsible cup showing my design;
 FIG. 2 is a second perspective view thereof;
 FIG. 3 is a front view thereof;
 FIG. 4 is a back view thereof;
 FIG. 5 is a left side view thereof;
 FIG. 6 is a right side view thereof;
 FIG. 7 is a top view thereof; and,
 FIG. 8 is a bottom view thereof.
 The broken lines shown in the drawings depict portions of the collapsible cup in which the design is embodied that form no part of the claimed design.

1 Claim, 8 Drawing Sheets

(56) **References Cited**

U.S. PATENT DOCUMENTS

D347,359 S *	5/1994	Robbins, III D7/512
D479,669 S *	9/2003	Norris D7/532
D544,303 S	6/2007	Strepkoff	
D550,036 S	9/2007	Holcomb et al.	
D664,003 S *	7/2012	Nagoya D7/400
D675,482 S *	2/2013	Heggestad D7/400



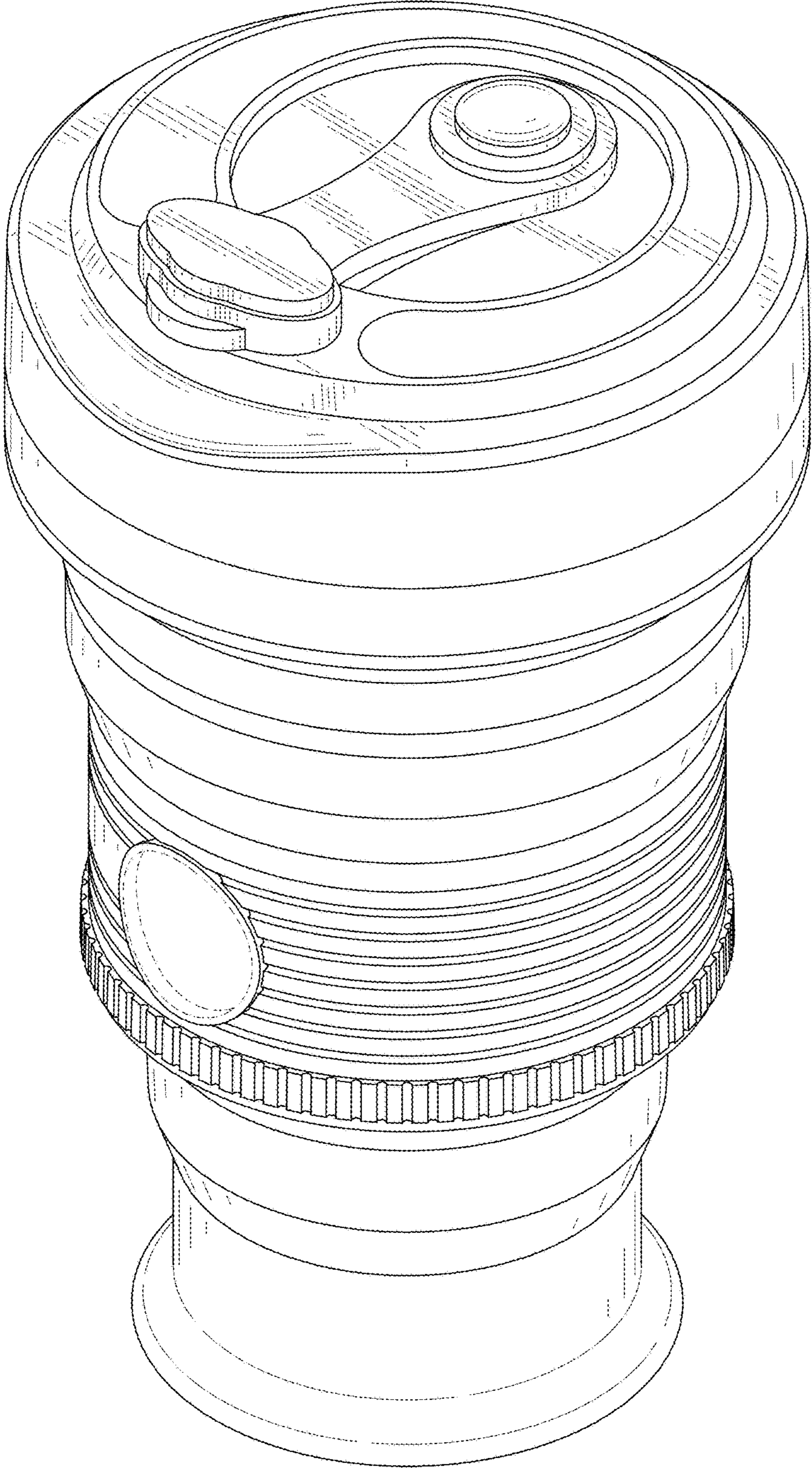


FIG. 1

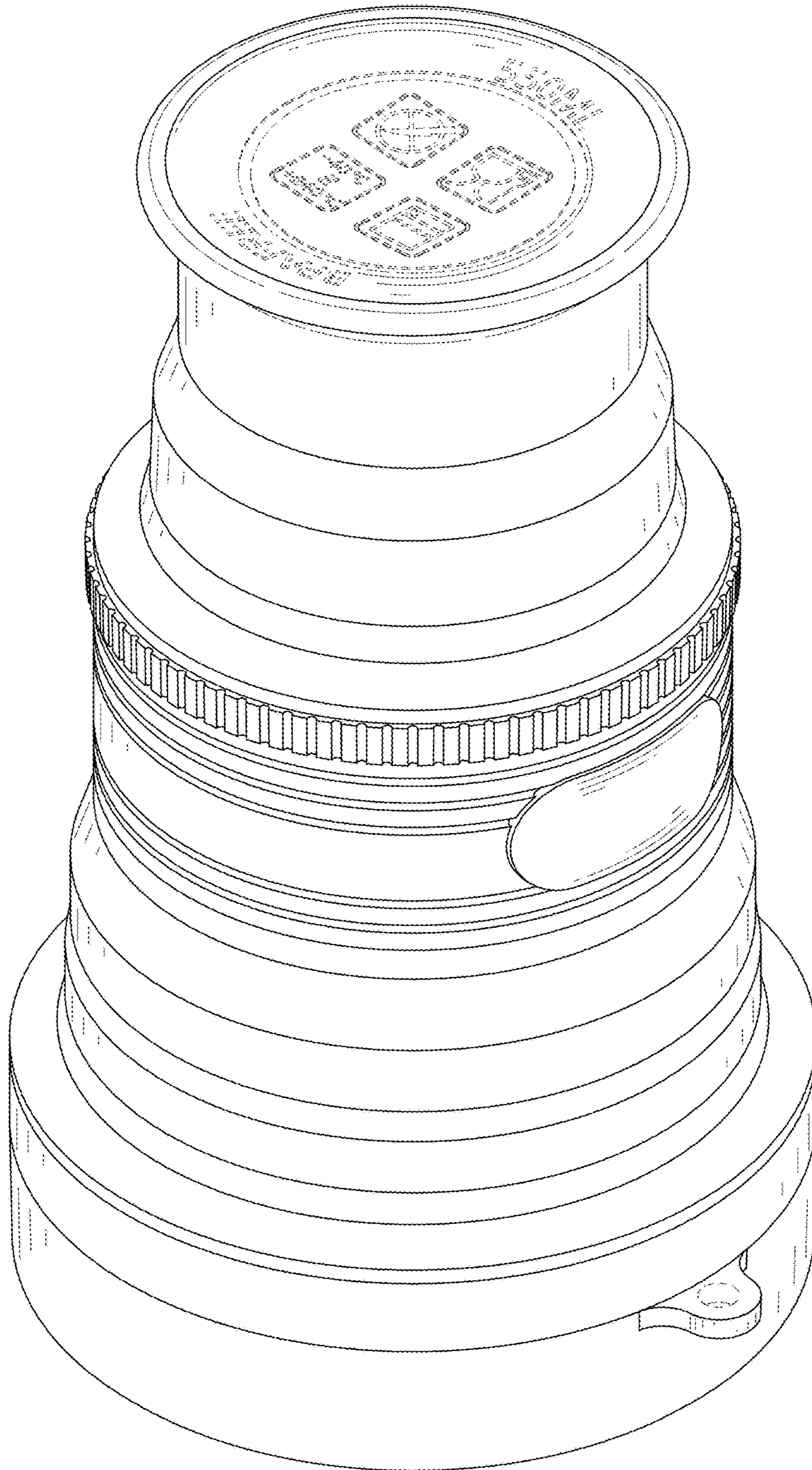


FIG. 2

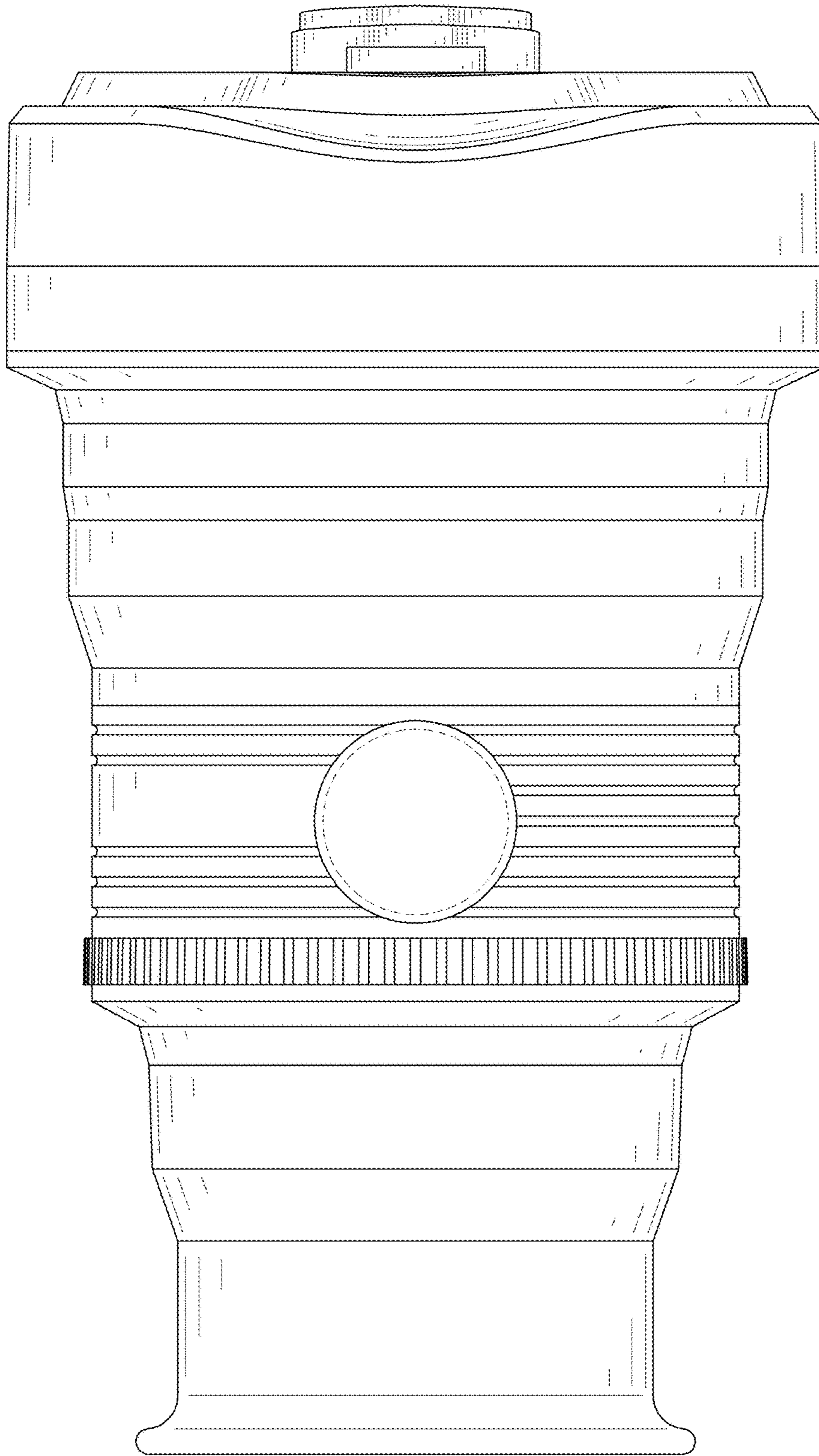


FIG. 3

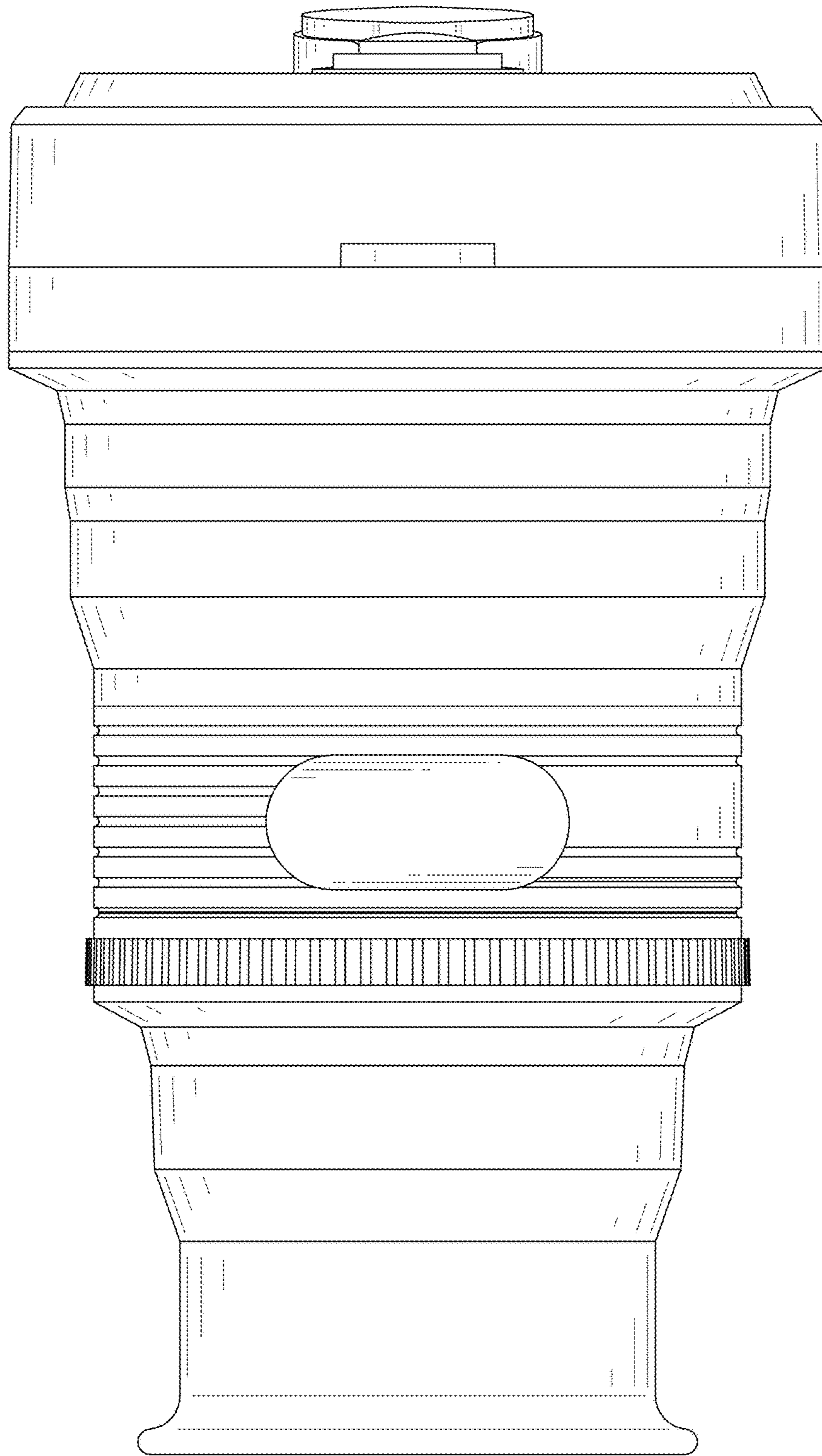


FIG. 4

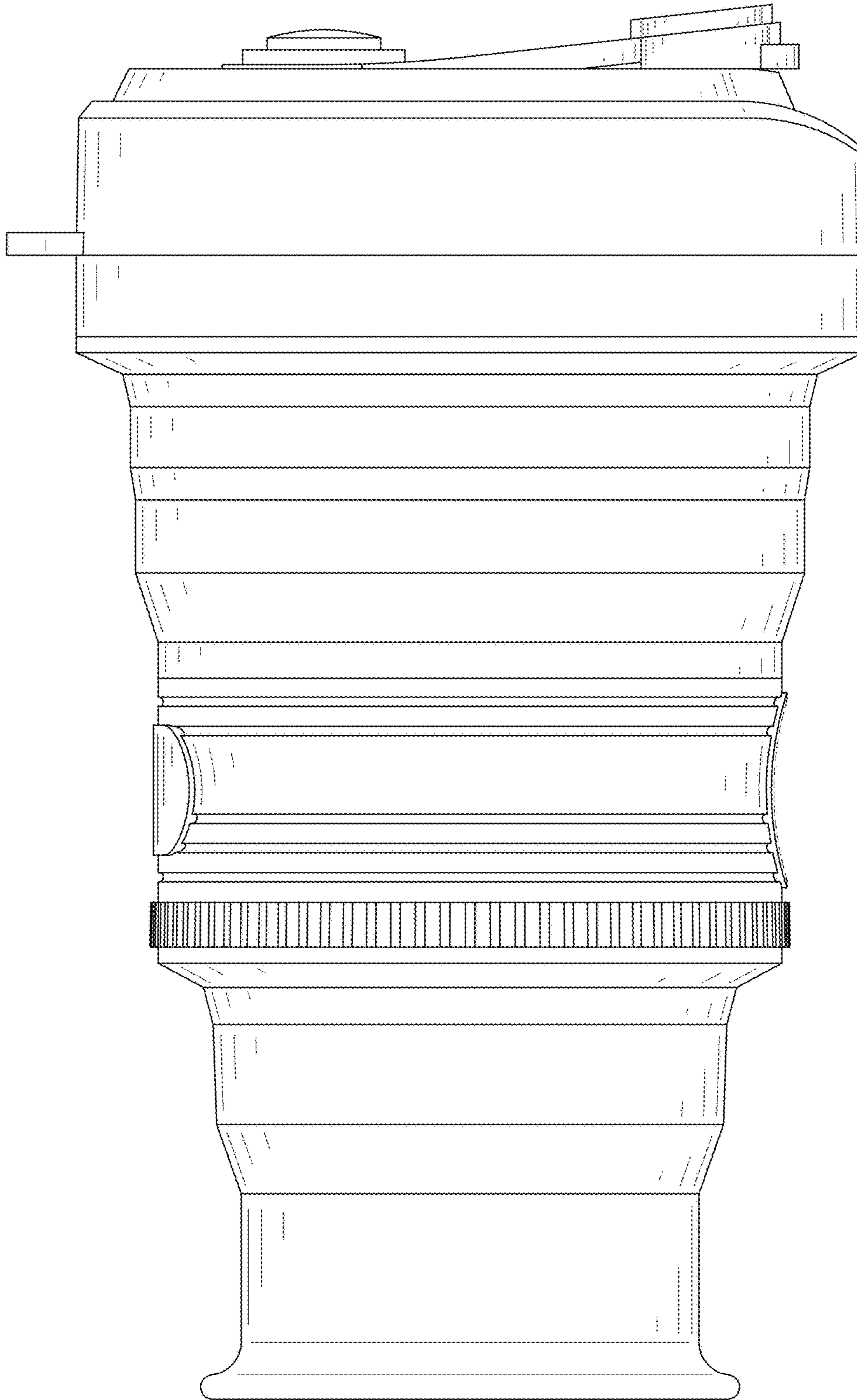


FIG. 5

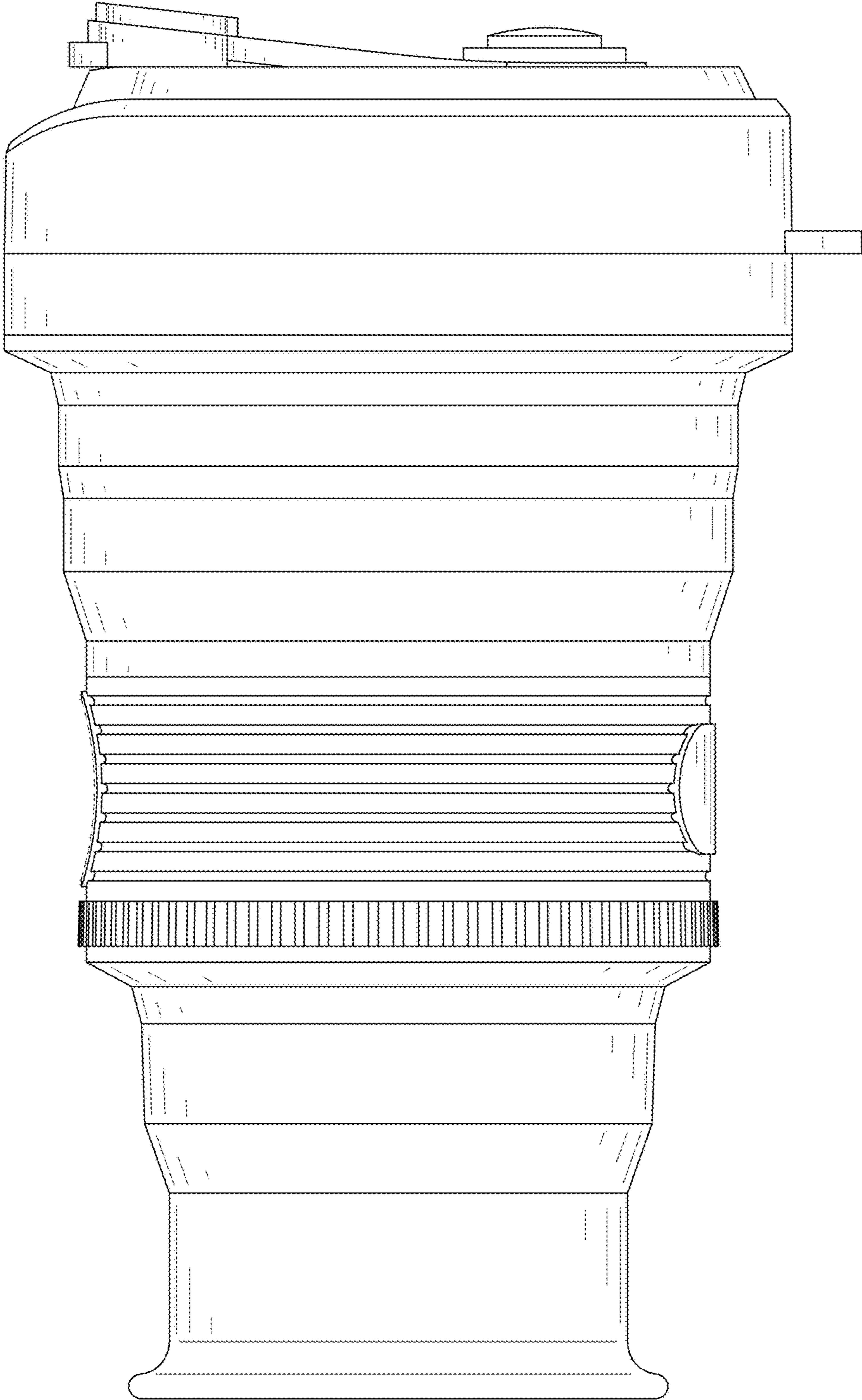


FIG. 6

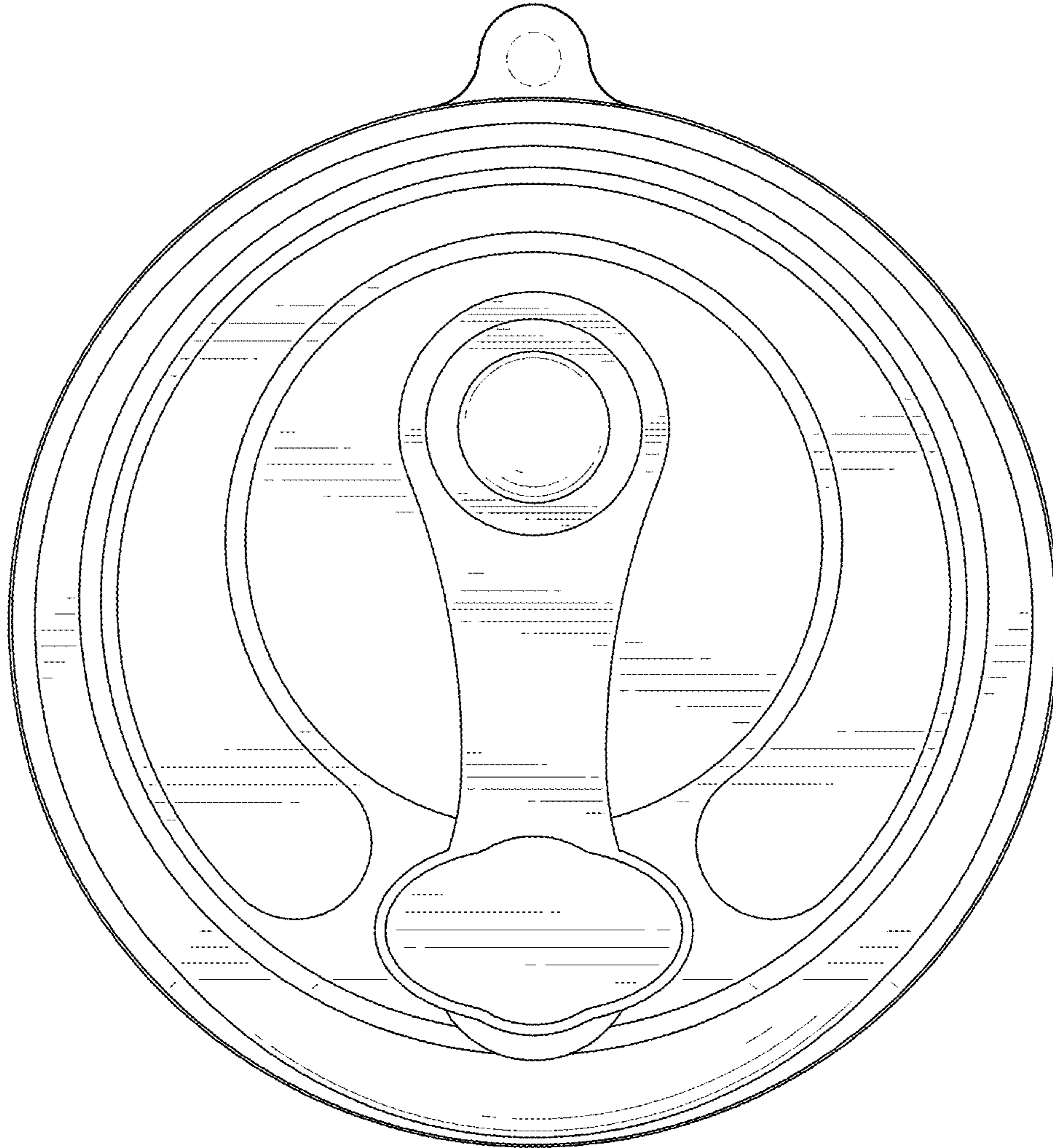


FIG. 7

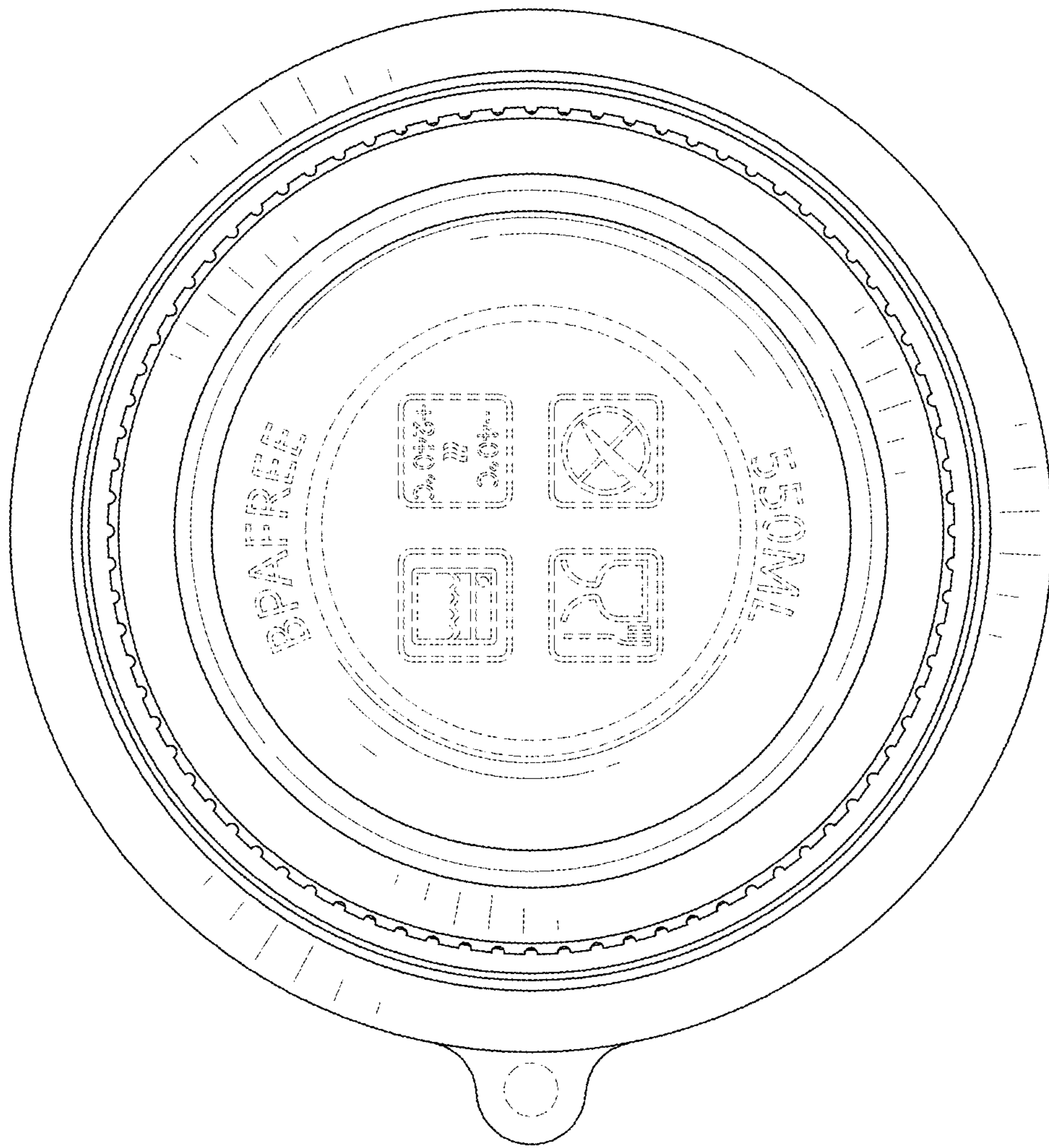


FIG. 8