



US00D861433S

(12) **United States Design Patent**
Busch

(10) **Patent No.:** **US D861,433 S**

(45) **Date of Patent:** **** Oct. 1, 2019**

(54) **DRINKING GLASS**

(71) Applicant: **Taylor Precision Products, Inc.**,
Seattle, WA (US)

(72) Inventor: **Madeleine Busch**, Seattle, WA (US)

(73) Assignee: **TAYLOR PRECISION PRODUCTS, INC.**,
Seattle, WA (US)

(**) Term: **15 Years**

(21) Appl. No.: **29/635,078**

(22) Filed: **Jan. 26, 2018**

(51) **LOC (12) Cl.** **07-01**

(52) **U.S. Cl.**
USPC **D7/509**

(58) **Field of Classification Search**
USPC D7/509, 523, 387, 396.1, 396.2; D9/516,
D9/520, 549, 566
CPC A47G 19/22; A47G 19/2205; B65D 1/10;
A45F 3/20
See application file for complete search history.

(56) **References Cited**

U.S. PATENT DOCUMENTS

D666,061 S * 8/2012 Ying D7/629
D679,959 S * 4/2013 Lane D7/615

D763,044 S * 8/2016 Ruotsalainen D7/629
D773,250 S * 12/2016 Miller D7/523
D780,283 S * 2/2017 Burrow D22/116
D784,137 S * 4/2017 Cates D9/500
D793,809 S * 8/2017 Bodum D7/509
D811,821 S * 3/2018 Arora D7/523

* cited by examiner

Primary Examiner — Derrick E Holland

Assistant Examiner — Andrew Kerr

(74) *Attorney, Agent, or Firm* — Tutunjian & Bitetto, P.C.

(57) **CLAIM**

The ornamental design for a drinking glass, as shown and described.

DESCRIPTION

FIG. 1 is a top perspective view of a drinking glass showing my new design.

FIG. 2 is a bottom perspective view thereof.

FIG. 3 is a top plan view thereof.

FIG. 4 is a bottom plan view thereof.

FIG. 5 is a front elevational view thereof.

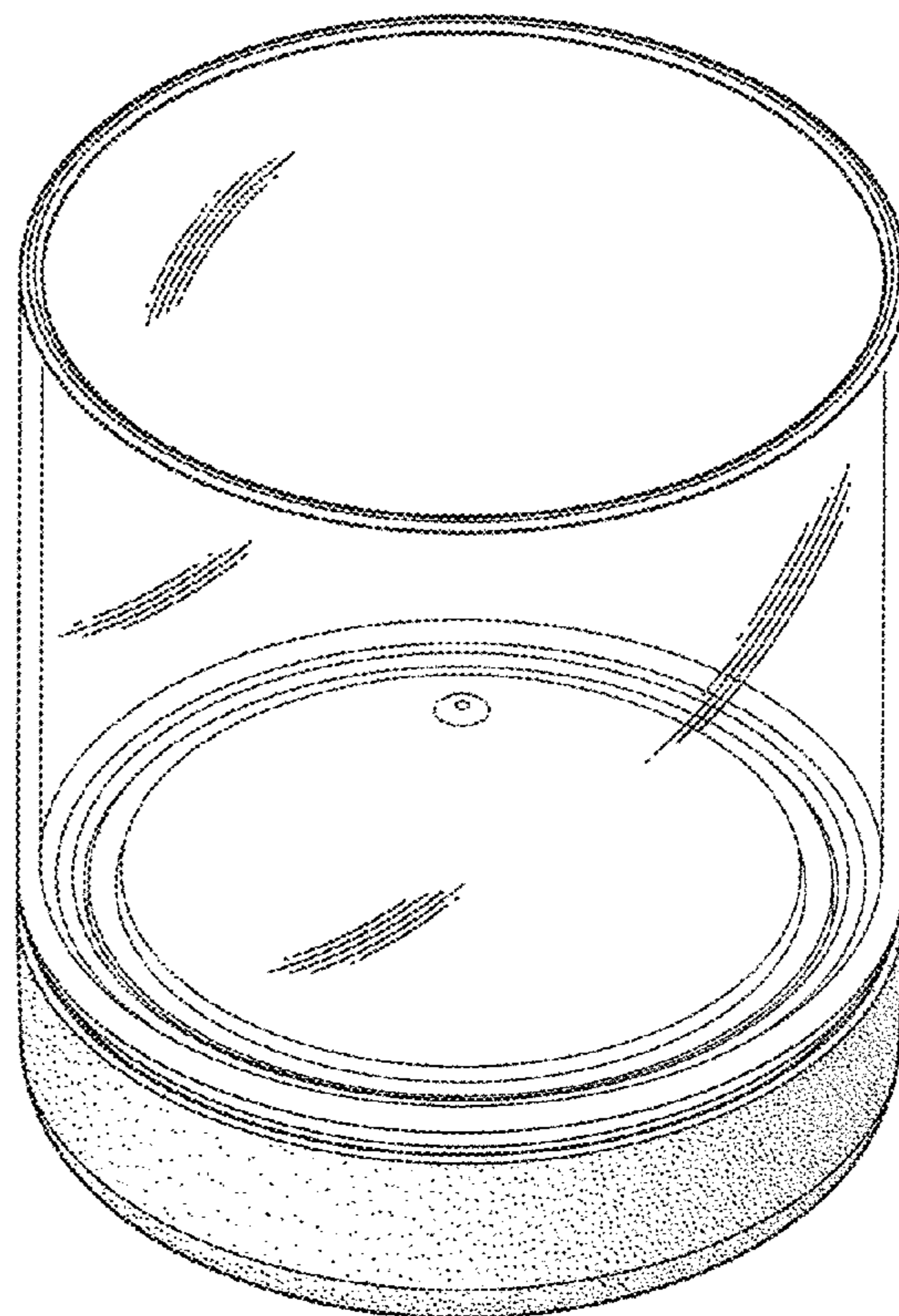
FIG. 6 is a rear elevational view thereof.

FIG. 7 is a left side elevational view thereof; and,

FIG. 8 is a right side elevational view thereof.

The broken lines shown represent the portions of the drinking glass that form no part of the claimed design.

1 Claim, 4 Drawing Sheets



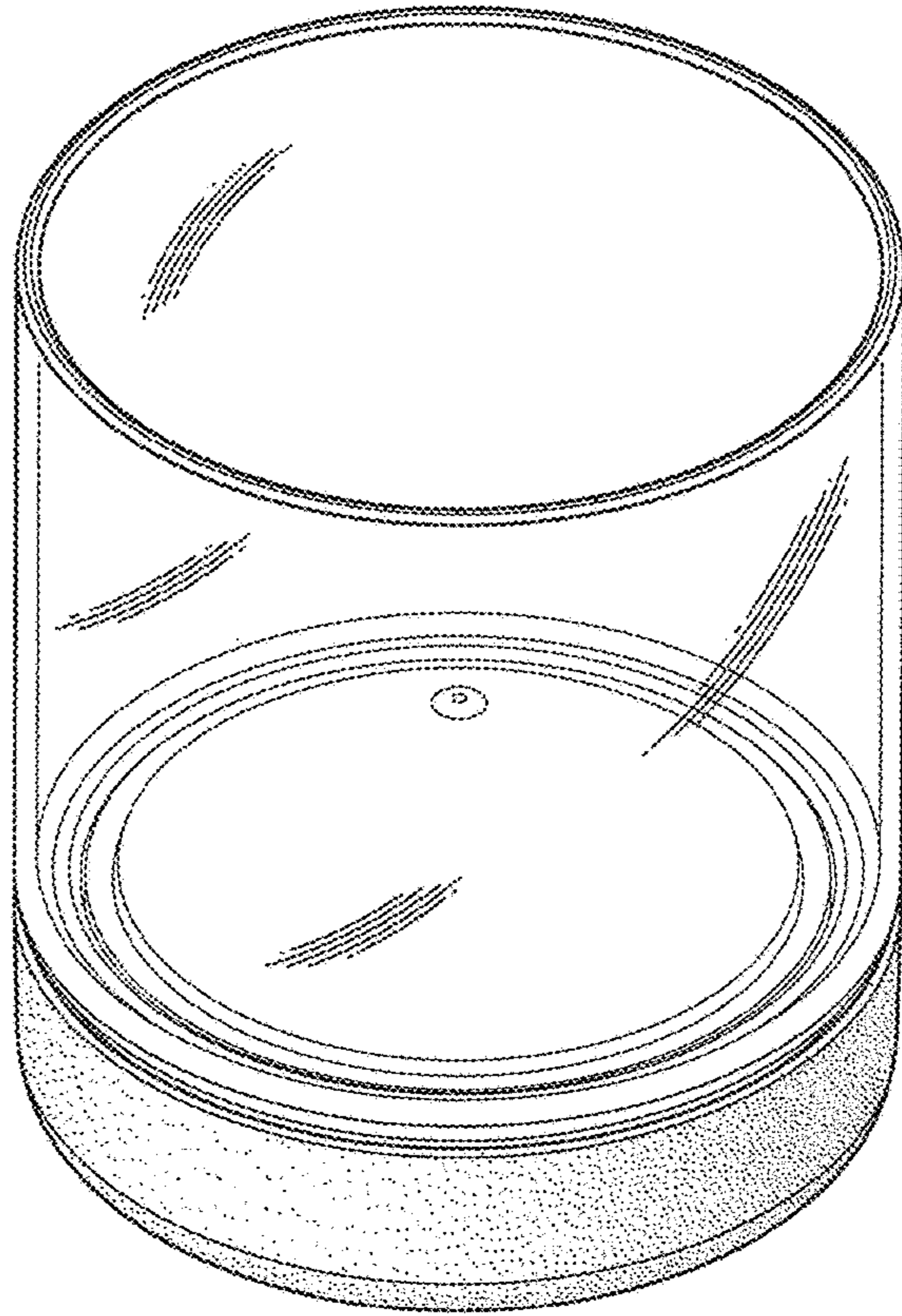


FIG. 1

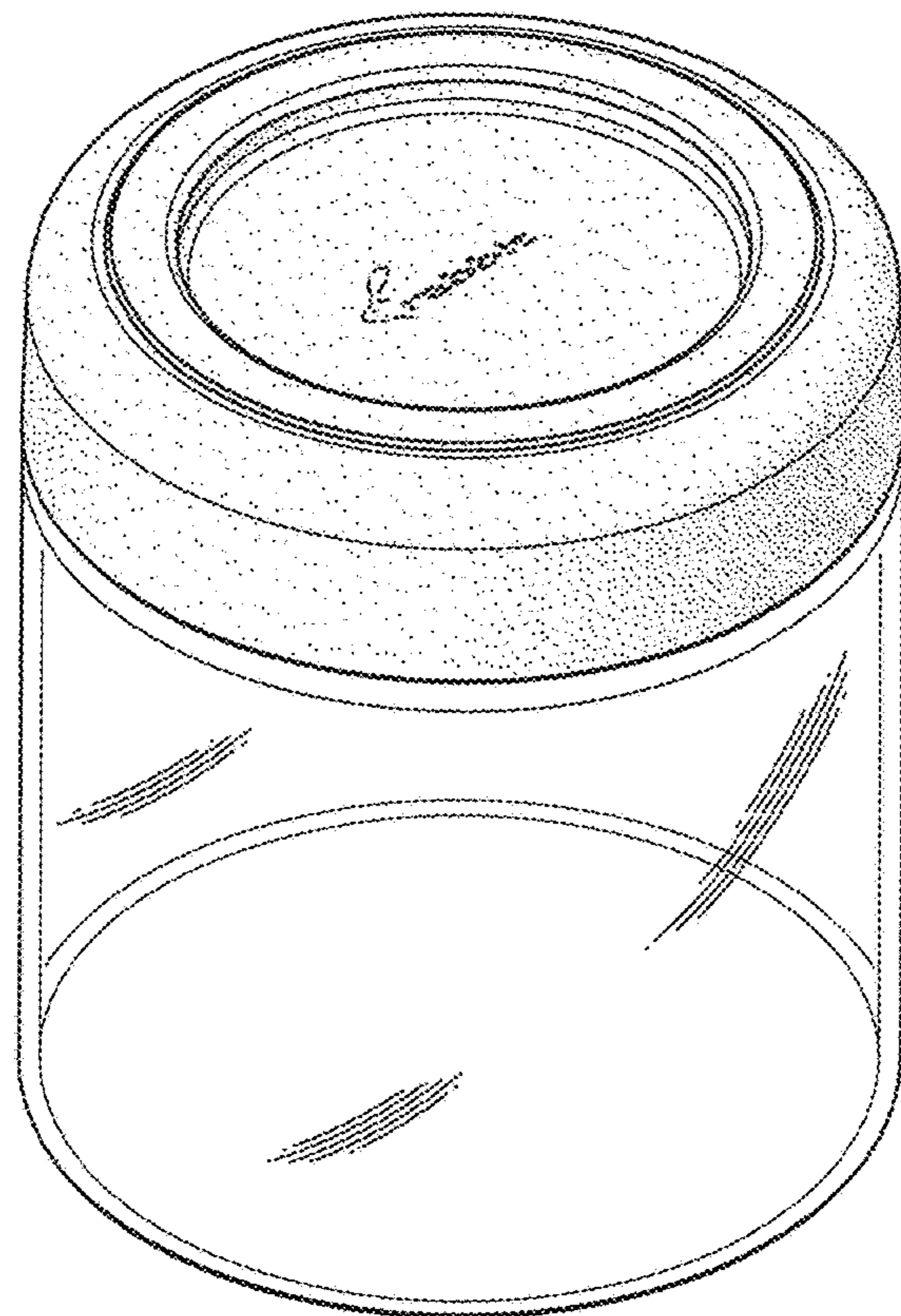


FIG. 2

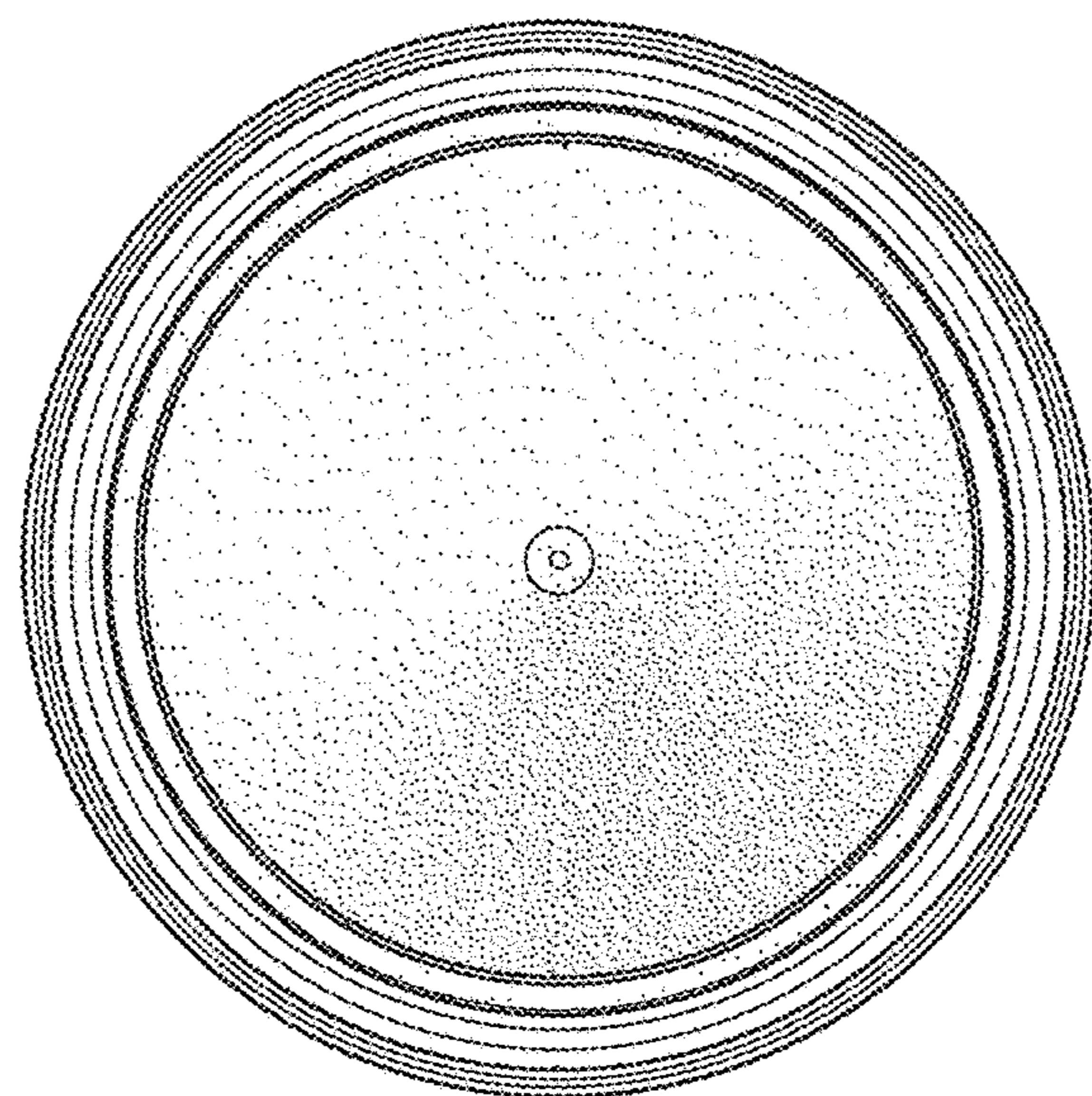


FIG. 3

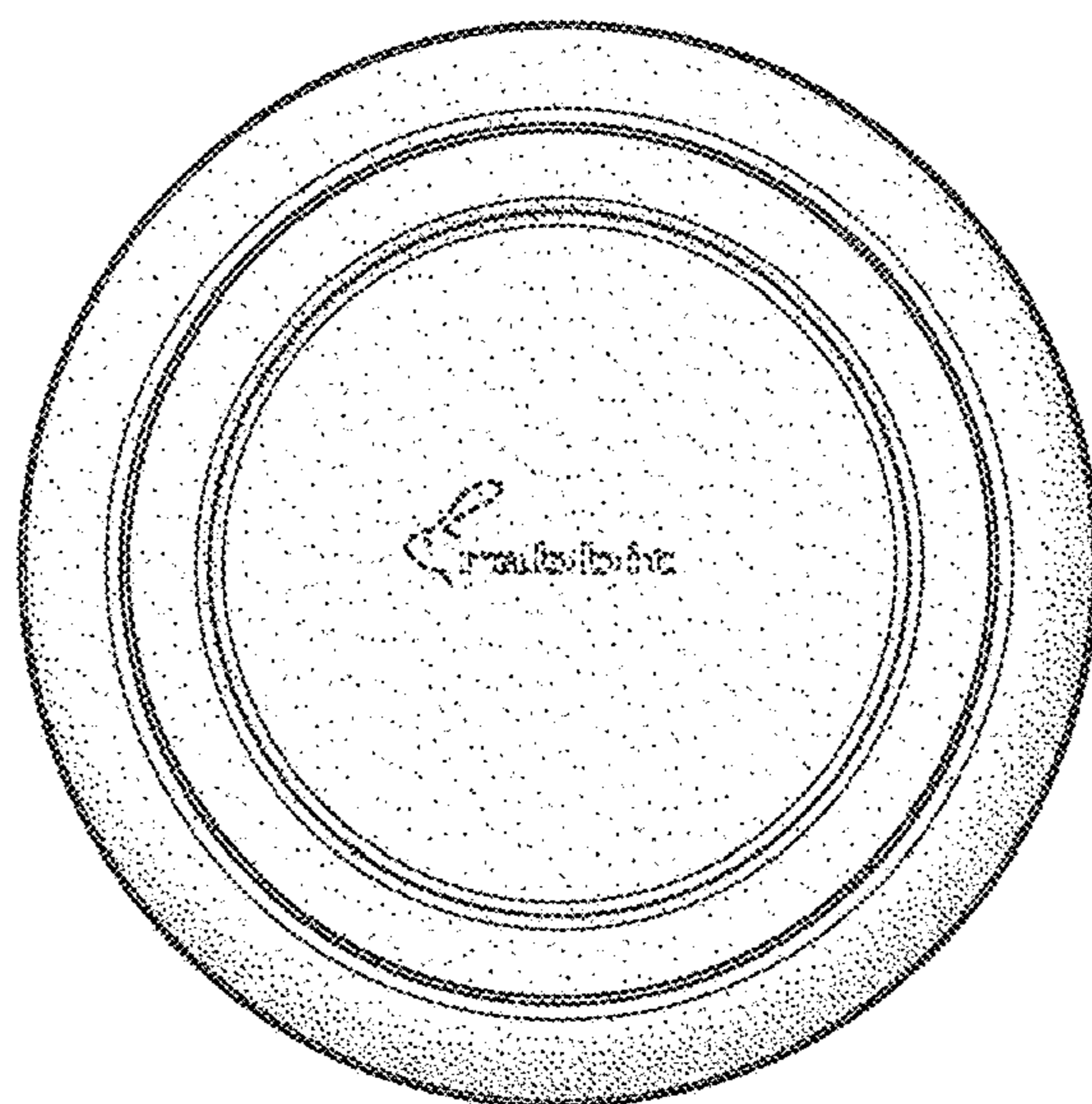


FIG. 4

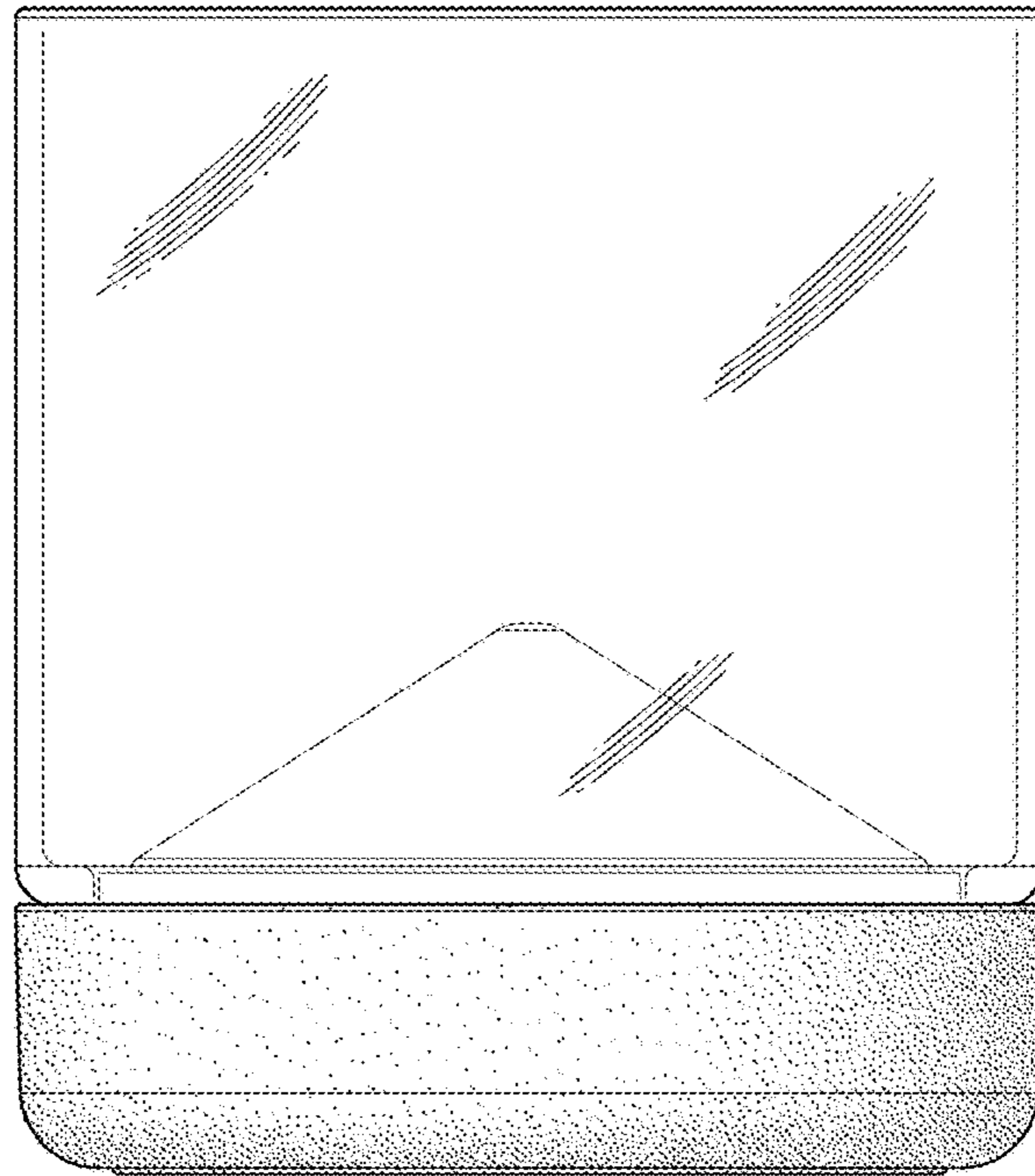


FIG. 5

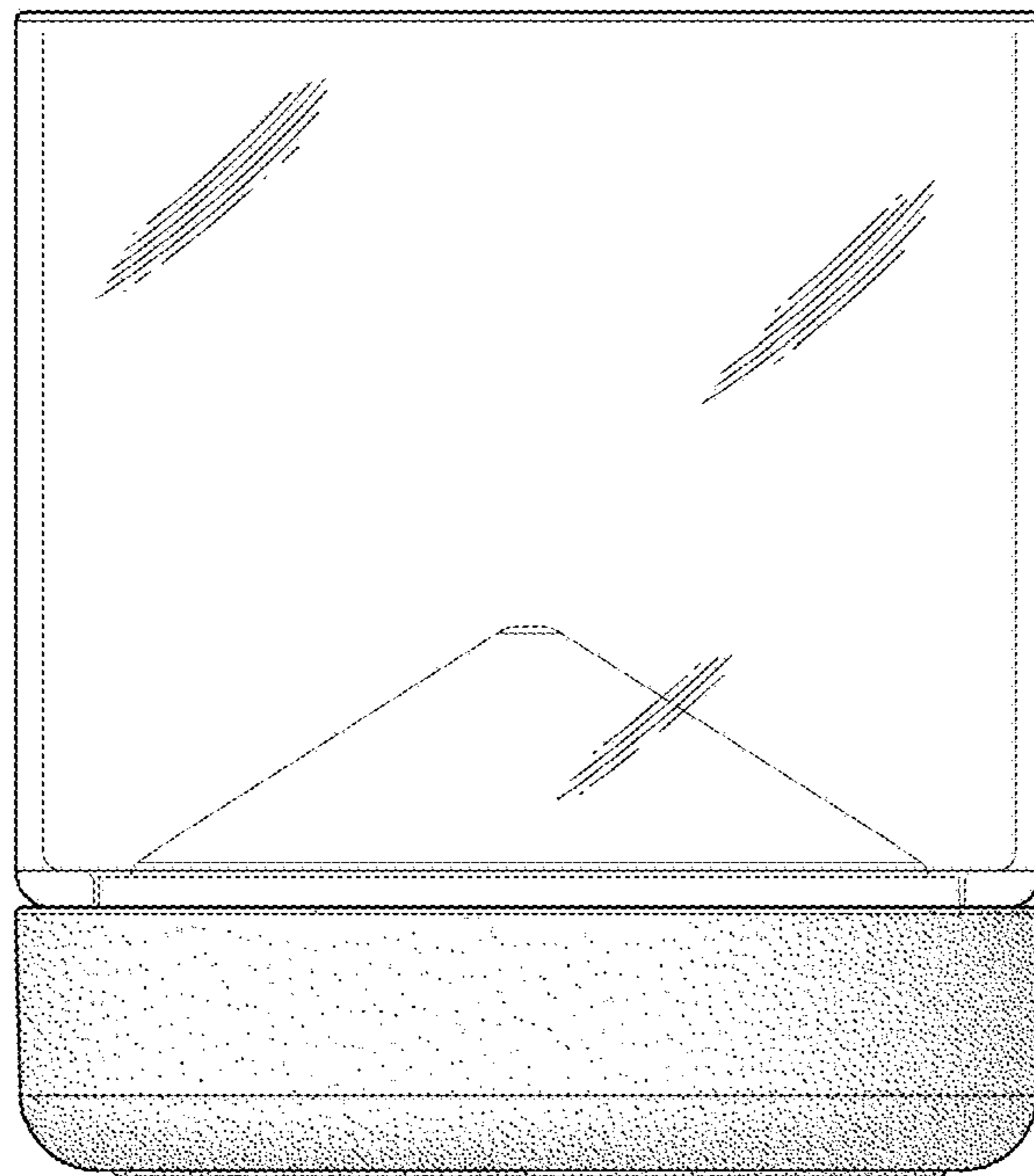


FIG. 6

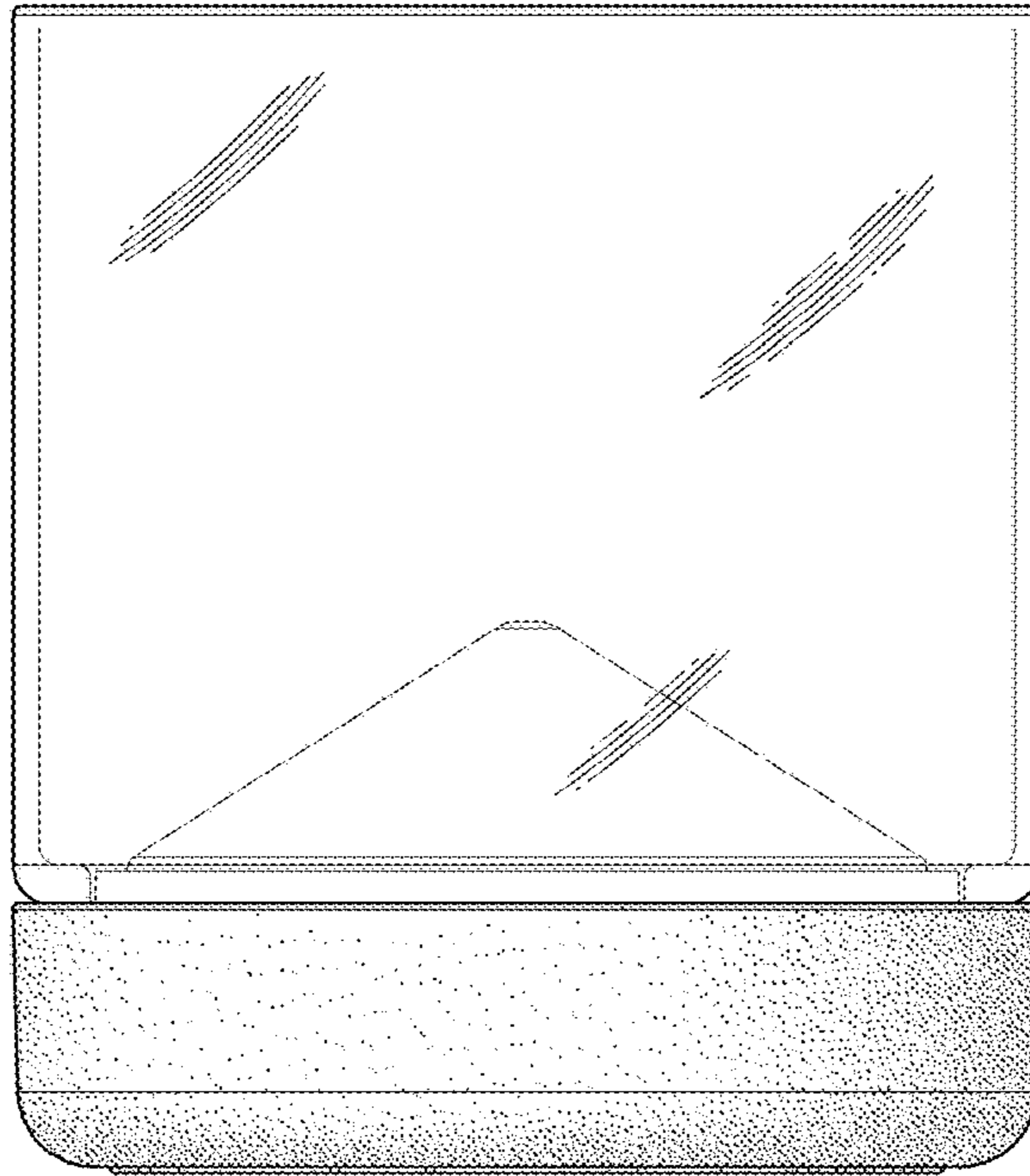


FIG. 7

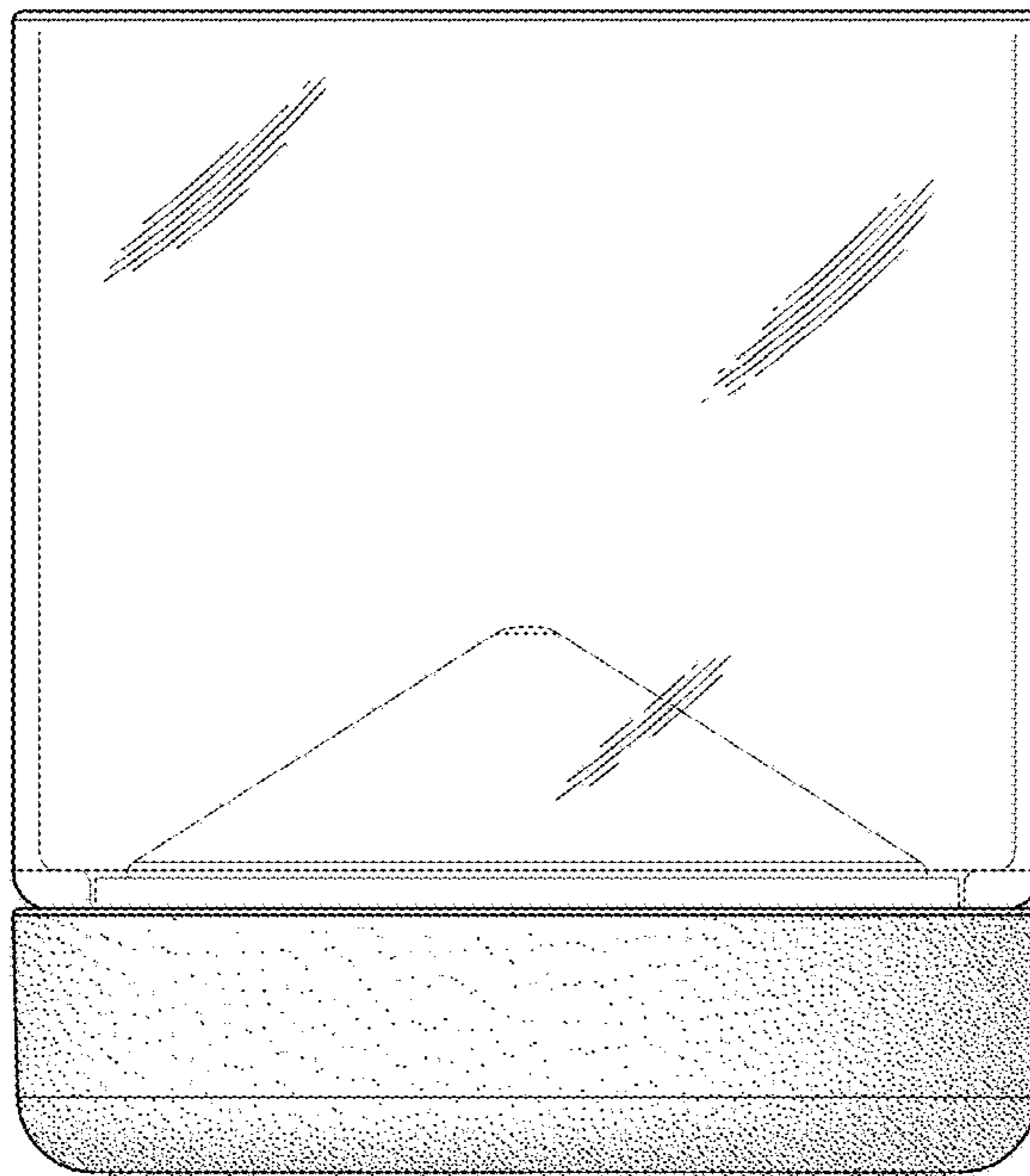


FIG. 8