



US00D861431S

(12) **United States Design Patent**  
**Demopoulos**

(10) **Patent No.:** **US D861,431 S**  
(45) **Date of Patent:** **\*\* Oct. 1, 2019**

(54) **COMBINATION CONTAINER AND WINE GLASS**

(71) Applicant: **Jonathan Demopoulos**, Mattituck, NY (US)

(72) Inventor: **Jonathan Demopoulos**, Mattituck, NY (US)

(\*\*) Term: **15 Years**

(21) Appl. No.: **29/644,280**

(22) Filed: **Apr. 16, 2018**

(51) **LOC (12) Cl.** ..... **07-01**

(52) **U.S. Cl.**  
USPC ..... **D7/507; D7/523; D7/532; D9/738; D9/500; D9/516**

(58) **Field of Classification Search**

USPC ..... D7/507, 509, 510, 511, 523, 570, 529, D7/524, 537, 526, 528, 532, 393, 213, D7/514, 515, 513, 530, 396.6, 387, 396.2, D7/397, 398; 220/592.16, 592.17; D10/118; D9/500, 501, 503, 516, 517, D9/518, 548, 549, 558, 715, 716, 719, D9/738, 746, 520  
CPC ..... A47G 19/2205; A47G 19/2227; A47G 19/22; A45F 3/20

See application file for complete search history.

(56) **References Cited**

**U.S. PATENT DOCUMENTS**

3,223,305 A \* 12/1965 Edwards ..... B65D 1/265 206/519  
D395,197 S \* 6/1998 Jank ..... D7/396.2  
D404,608 S \* 1/1999 Michaeli ..... D7/396.2  
D535,520 S \* 1/2007 Cundieff ..... D7/396.2  
D564,883 S \* 3/2008 Rica ..... D9/500  
D572,083 S \* 7/2008 Tien ..... D7/509  
D576,043 S \* 9/2008 Rica ..... D9/500

D629,693 S \* 12/2010 Rica ..... D9/500  
D639,114 S \* 6/2011 Swinford ..... D7/396.2  
D661,544 S \* 6/2012 Enghard ..... D7/213  
D662,767 S \* 7/2012 Hotell ..... D7/396.2  
D679,187 S \* 4/2013 Zuchetta ..... D9/500  
D679,188 S \* 4/2013 Zuchetta ..... D9/500  
D682,621 S \* 5/2013 Penttinen ..... D7/524  
D701,428 S \* 3/2014 Lapsker ..... D7/532  
D717,171 S \* 11/2014 Delacourt ..... D9/500  
D727,171 S \* 4/2015 Marina ..... D7/300.1  
D735,853 S \* 8/2015 Pa ..... D24/129  
D743,259 S \* 11/2015 Delacourt ..... D9/500  
D746,634 S \* 1/2016 Lapsker ..... D7/510  
D753,950 S \* 4/2016 Feeley ..... D7/392.1  
D758,864 S \* 6/2016 Eisen ..... D9/500  
D768,507 S \* 10/2016 Hotell ..... D9/738  
D773,660 S \* 12/2016 Shiozaki ..... D24/130  
D799,890 S \* 10/2017 McClory ..... D7/375  
D815,528 S \* 4/2018 Lee ..... D9/500

(Continued)

*Primary Examiner* — Marianne N Pandozzi

*Assistant Examiner* — Jae Liang

(74) *Attorney, Agent, or Firm* — Quickpatents, LLC; Kevin Prince

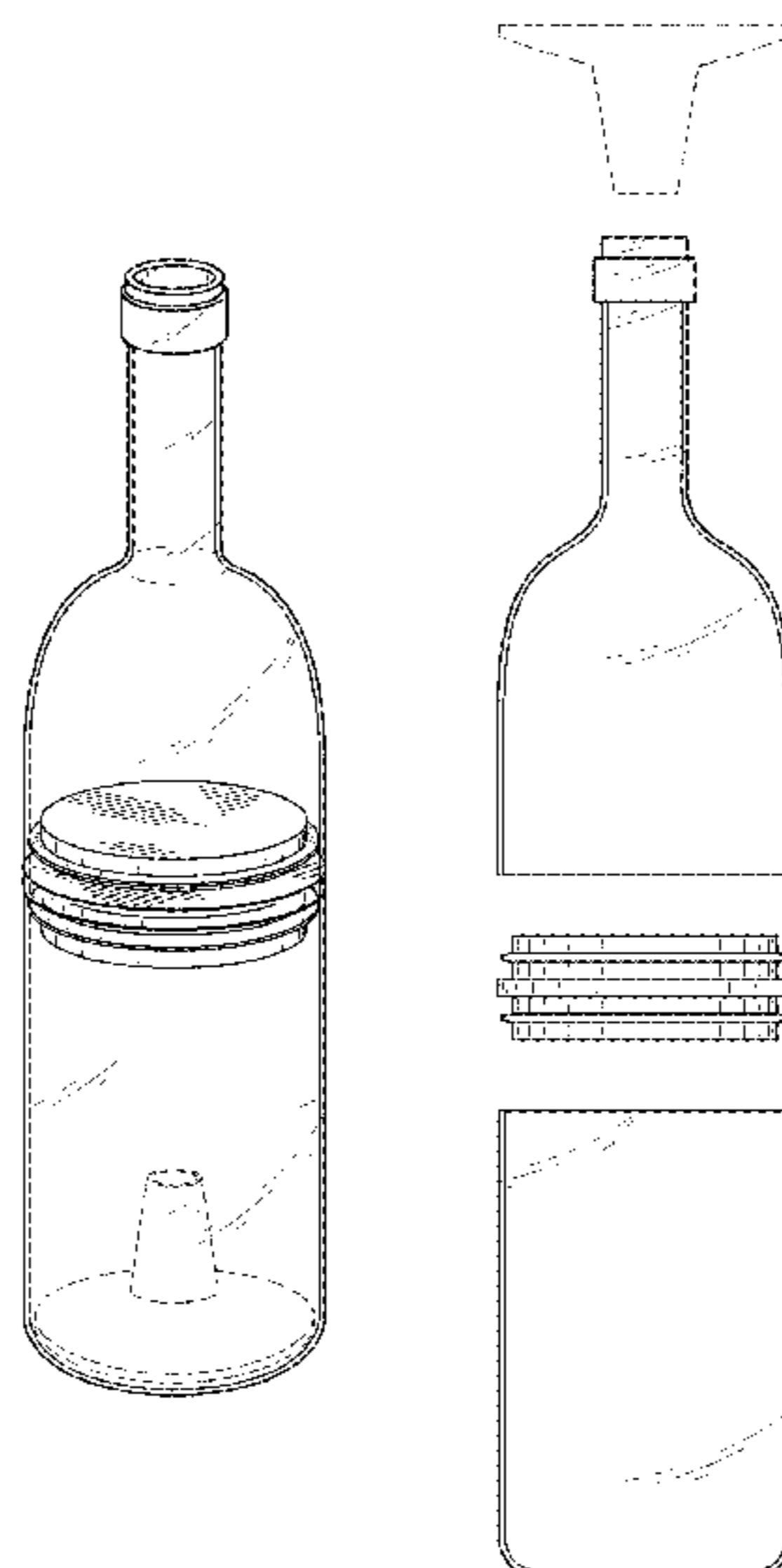
(57) **CLAIM**

I claim the ornamental design for a combination container and wine glass, as shown and described.

**DESCRIPTION**

FIG. 1 is a perspective view of a combination container and wine glass showing my new design; FIG. 2 is an exploded perspective view of FIG. 1; FIG. 3 is an exploded front elevational view of FIG. 1, the rear elevational view being a mirror image thereof; FIG. 4 is an exploded top plan view of FIG. 1; and, FIG. 5 is an exploded bottom plan view of FIG. 1. The broken lines showing a wine glass stand in the figures depict environmental matter and form no part of the claimed design.

**1 Claim, 3 Drawing Sheets**



(56)

**References Cited**

U.S. PATENT DOCUMENTS

D826,051 S \* 8/2018 Lauret ..... D9/500  
D836,443 S \* 12/2018 Eisen ..... D9/500  
D840,223 S \* 2/2019 Marina ..... D9/437  
2011/0303633 A1 \* 12/2011 Bernstein ..... B65D 1/06  
215/377  
2017/0349329 A1 \* 12/2017 McCarthy ..... B65D 25/04  
2019/0009969 A1 \* 1/2019 Kite ..... B65D 81/3211

\* cited by examiner



FIG. 1

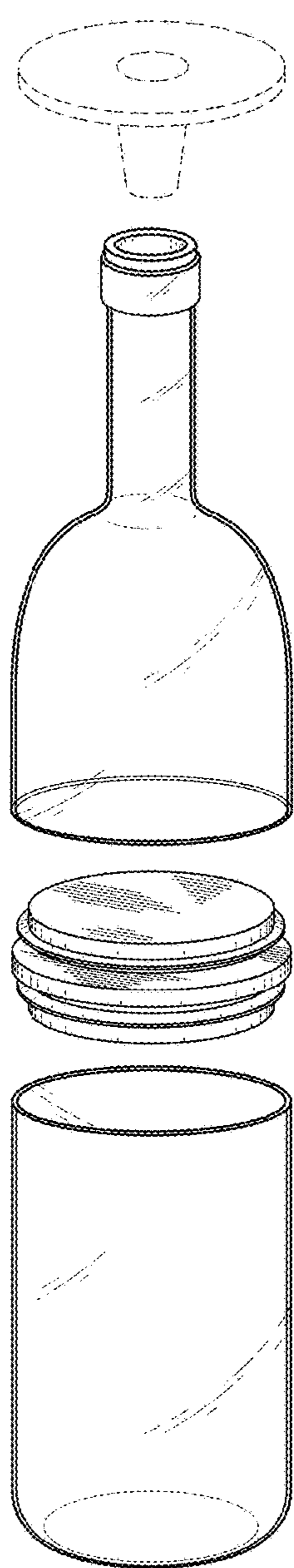


FIG. 2

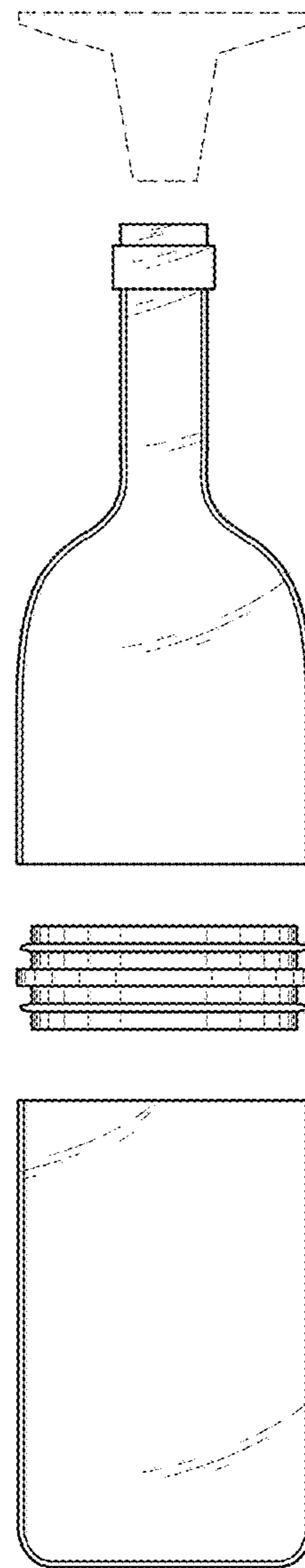


FIG. 3

FIG. 4

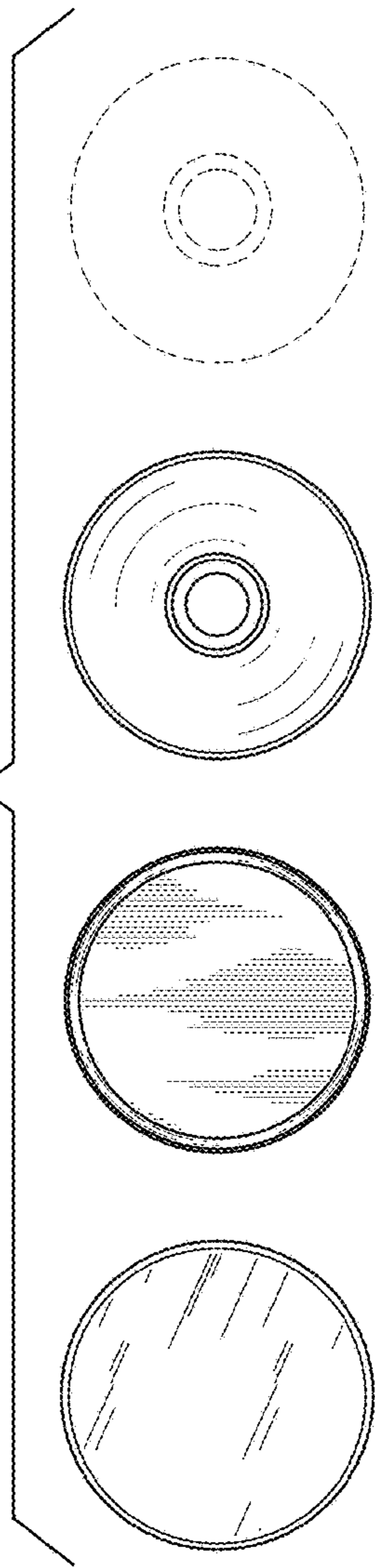


FIG. 5

