



US00D861430S

(12) **United States Design Patent** (10) **Patent No.:** **US D861,430 S**  
**Yueh** (45) **Date of Patent:** **\*\* Oct. 1, 2019**

(54) **BUBBLE WATER BOTTLE**  
(71) Applicants: **Oivita Creative Co., Ltd.**, Taipei (TW); **Chao-Yu Yueh**, Taipei (TW)  
(72) Inventor: **Chao-Yu Yueh**, Taipei (TW)  
(73) Assignees: **OIVITA CREATIVE CO., LTD.**, Taipei (TW); **Chao-Yu Yueh**, Taipei (TW)

(\*\*) Term: **15 Years**

(21) Appl. No.: **29/615,369**

(22) Filed: **Aug. 29, 2017**

(51) **LOC (12) Cl.** ..... **07-01**

(52) **U.S. Cl.**  
USPC ..... **D7/507**; D7/510; D7/523; D7/532

(58) **Field of Classification Search**  
USPC ..... D7/505, 507, 509, 510, 511, 523, 532, D7/608, 300.1, 213, 392.1, 396.2, 387, D7/396.6, 624.1, 624.2; D9/500, 501, D9/502, 503, 504, 505, 516, 530, 556, D9/569, 537, 549, 557; D14/216, 221, D14/204, 209.1, 215, 217, 212  
CPC . A47G 19/2205; A47G 19/2272; A47J 43/27; A47J 41/02; A45F 3/16  
See application file for complete search history.

(56) **References Cited**

**U.S. PATENT DOCUMENTS**

D276,889 S \* 12/1984 Biesecker ..... D9/500  
5,390,804 A \* 2/1995 Beggins ..... B65D 23/0885  
215/12.1  
D479,951 S \* 9/2003 Segura ..... D7/608  
D524,157 S \* 7/2006 Bolden ..... D7/607

D546,685 S \* 7/2007 Blake ..... D9/500  
D572,591 S \* 7/2008 Blake ..... D9/500  
D604,163 S \* 11/2009 Nelson ..... D9/504  
D612,240 S \* 3/2010 Cresswell ..... D9/454  
D654,761 S \* 2/2012 Herbst ..... D11/146  
D684,813 S \* 6/2013 Eyal ..... D7/392  
D687,677 S \* 8/2013 Sturgess ..... D7/507  
D772,014 S \* 11/2016 Ayres ..... D7/507  
D801,753 S \* 11/2017 Piper ..... D7/624.2  
D820,051 S \* 6/2018 Nash ..... D7/624.2  
2016/0166115 A1\* 6/2016 Schlesinger ..... A47J 43/27  
220/568  
2018/0312322 A1\* 11/2018 Canales Kell ..... B65D 81/3283

\* cited by examiner

*Primary Examiner* — Marianne N Pandozzi

*Assistant Examiner* — Jae Liang

(74) *Attorney, Agent, or Firm* — McClure, Qualey & Rodack, LLP

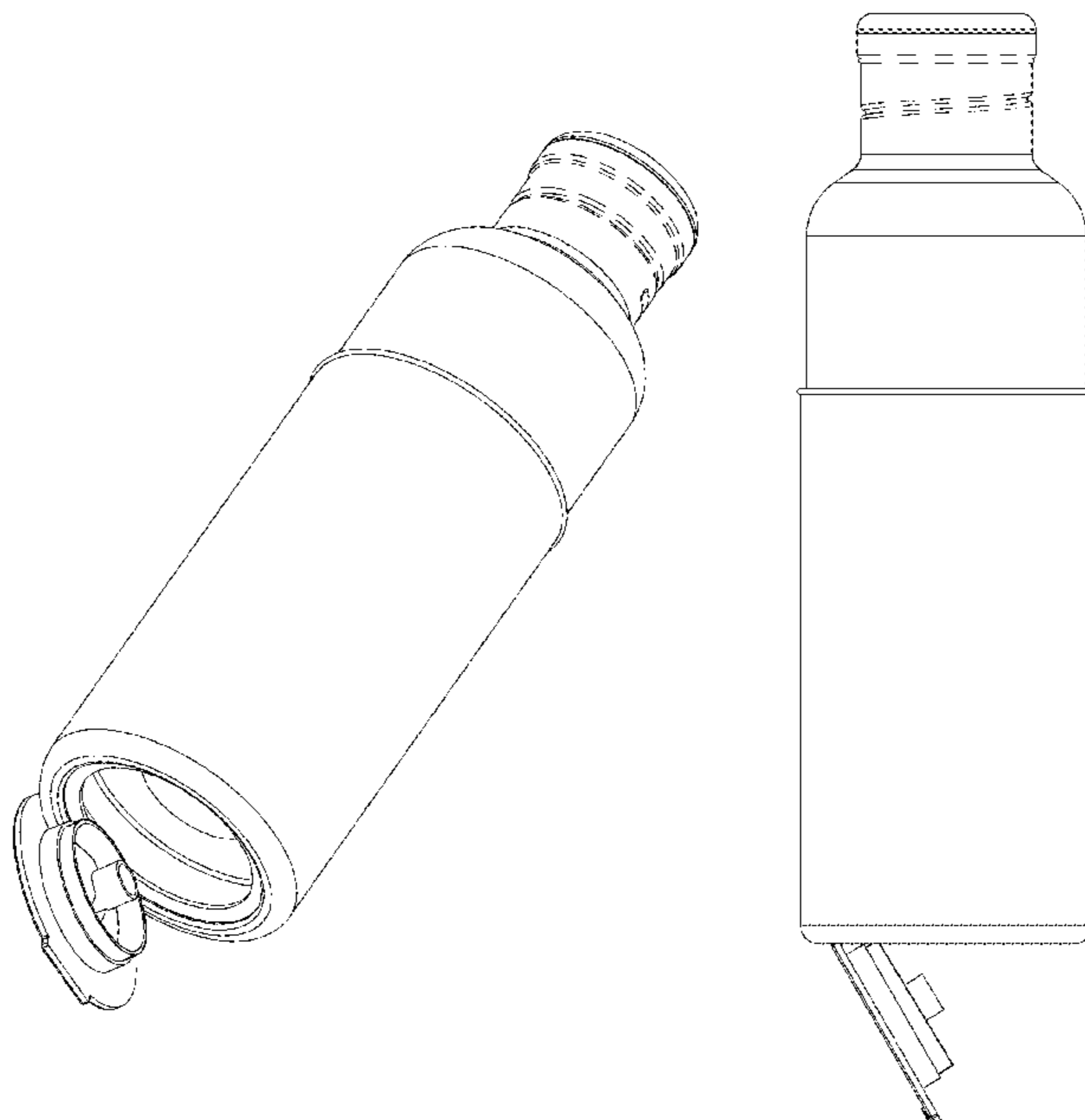
(57) **CLAIM**

The ornamental design for a bubble water bottle, as shown and described.

**DESCRIPTION**

FIG. 1 is a perspective view of a bubble water bottle showing our new design.  
FIG. 2 is a front view thereof;  
FIG. 3 is a rear view thereof;  
FIG. 4 is a right side view thereof;  
FIG. 5 is an enlarged left side view thereof;  
FIG. 6 is an enlarged top view thereof; and,  
FIG. 7 is an enlarged bottom plan view thereof; and,  
FIG. 8 is a bottom perspective view for the bubble water bottle, wherein the bottom cover is in its closed position.  
The broken lines in the drawings depict portions of the bubble water bottle that form no part of the claimed design.

**1 Claim, 7 Drawing Sheets**



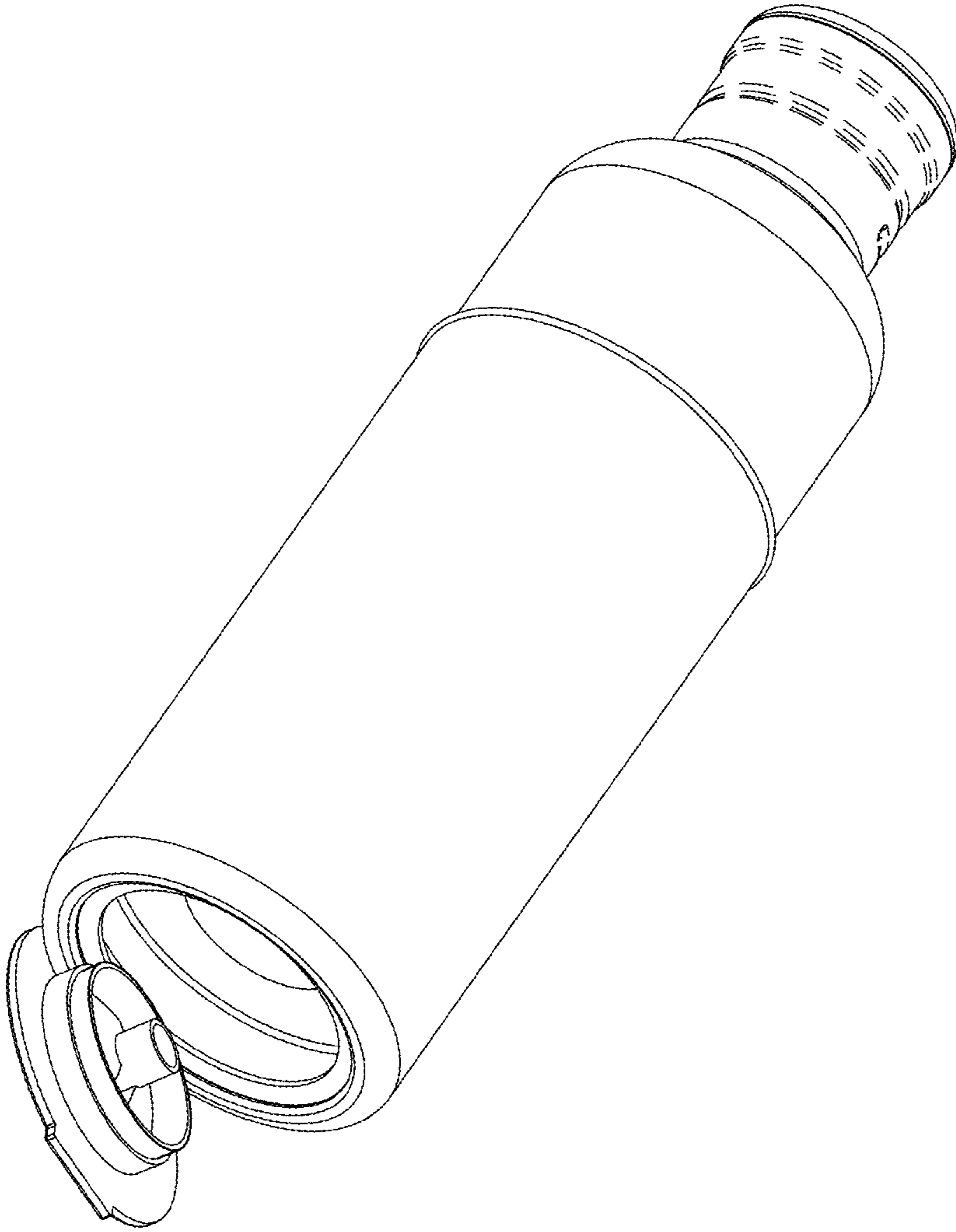


FIG. 1

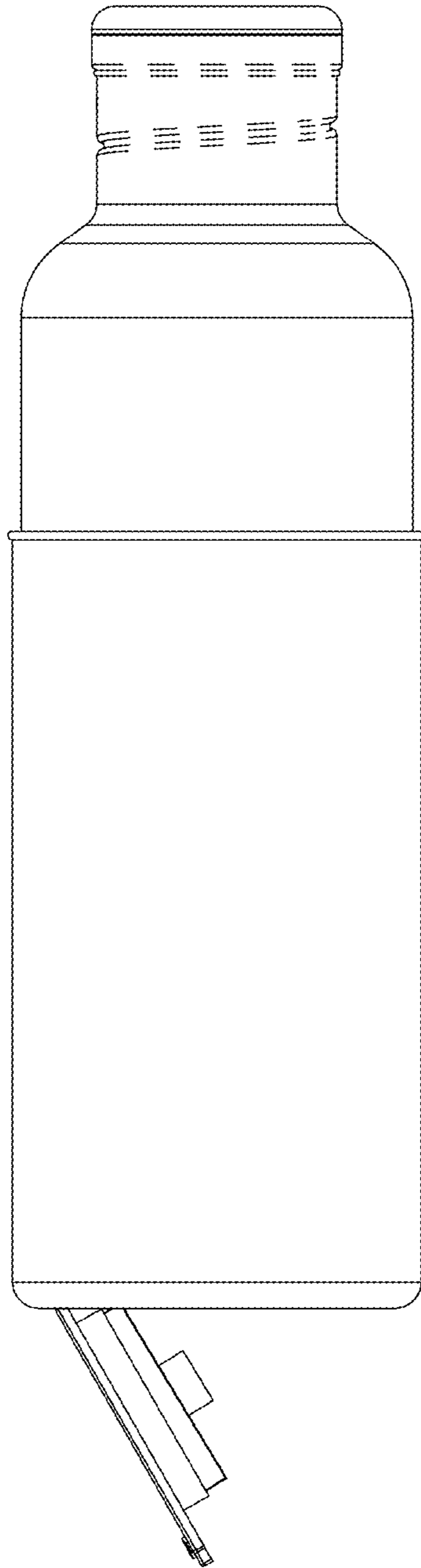


FIG. 2

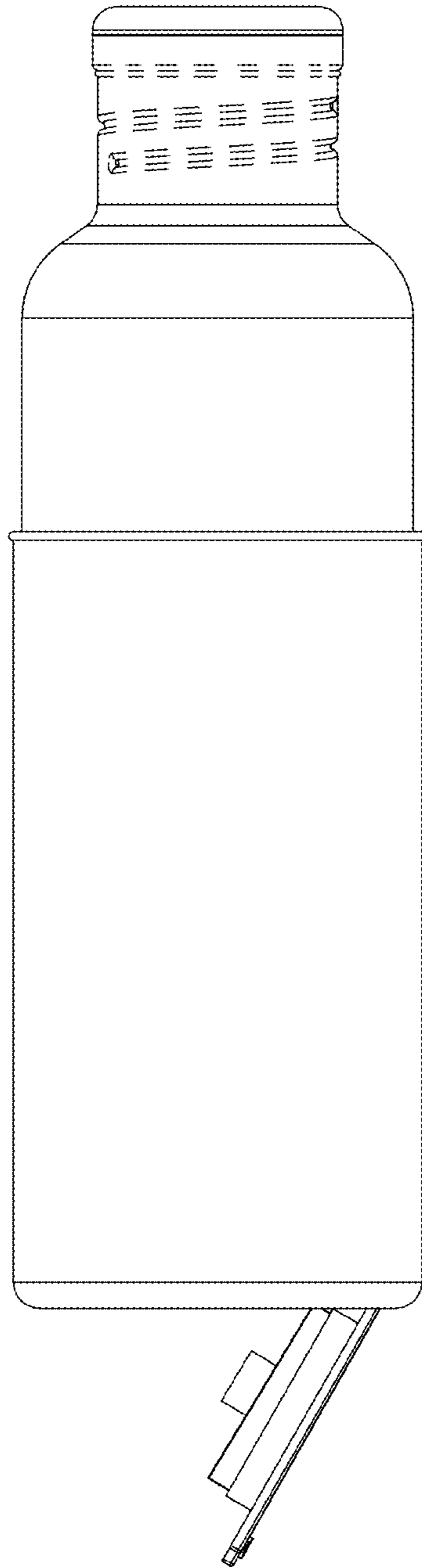


FIG. 3

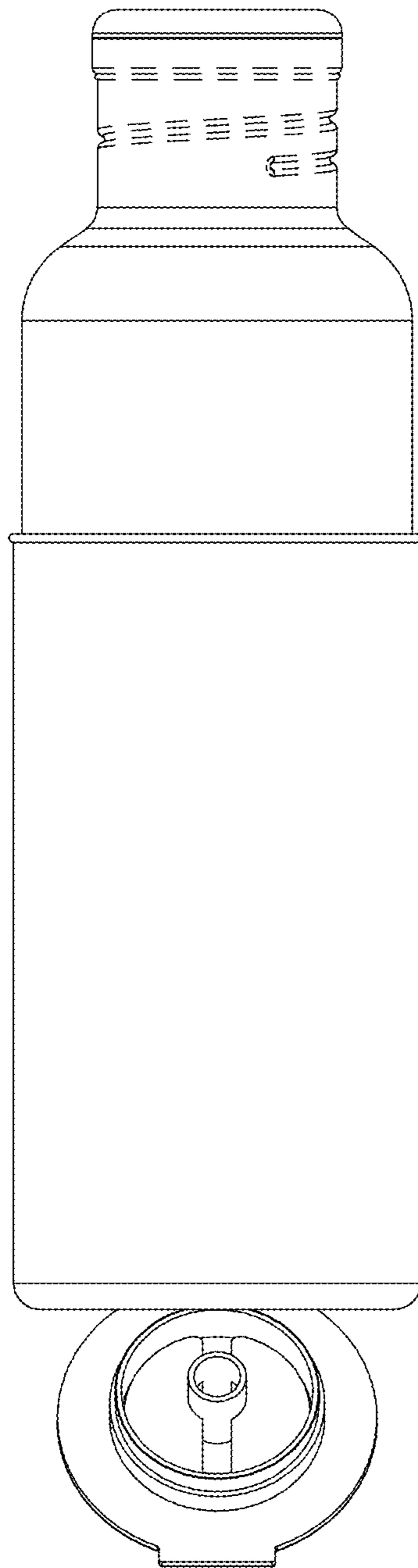


FIG. 4

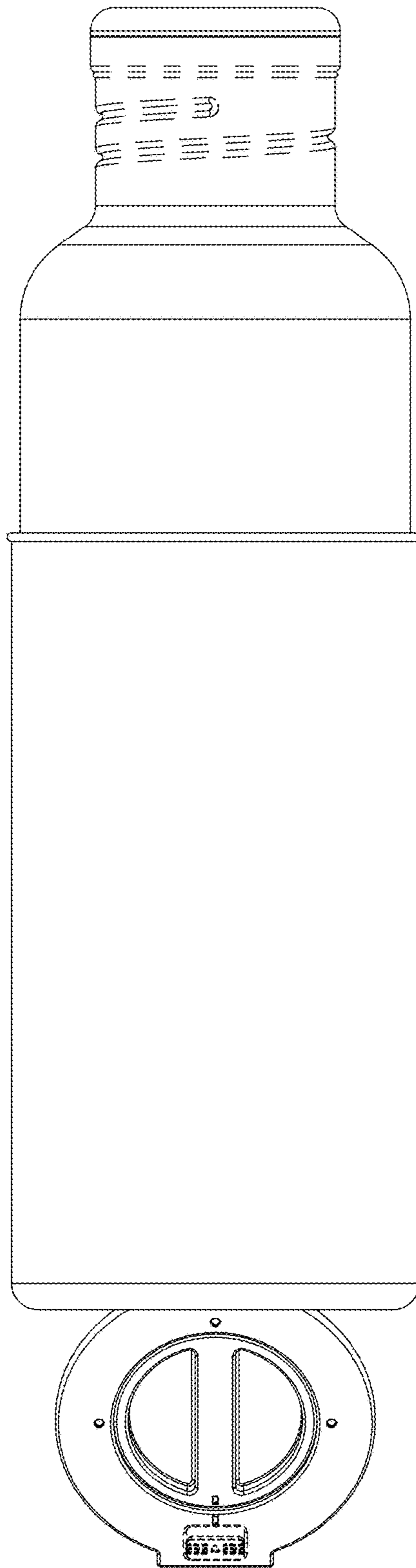


FIG. 5

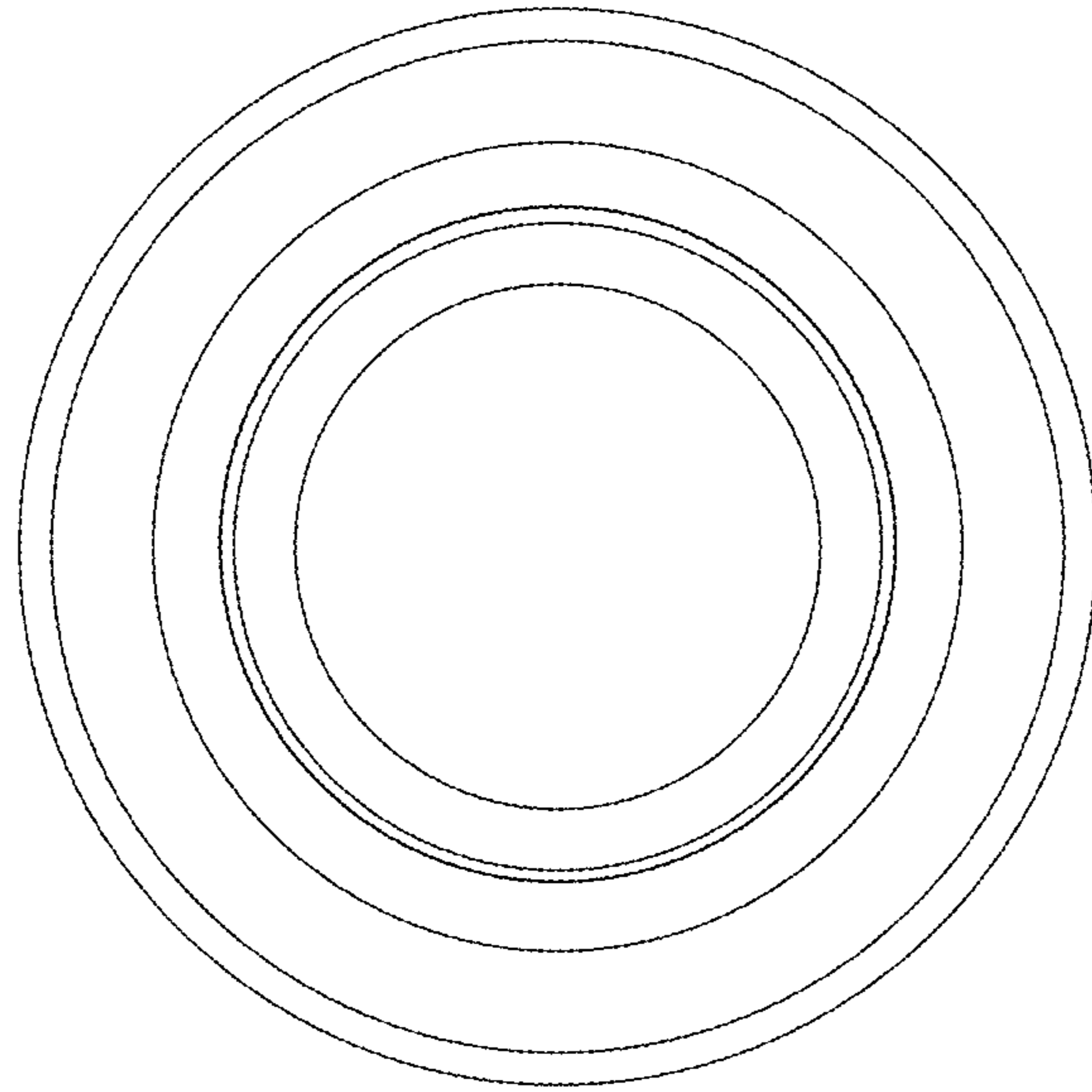


FIG. 6

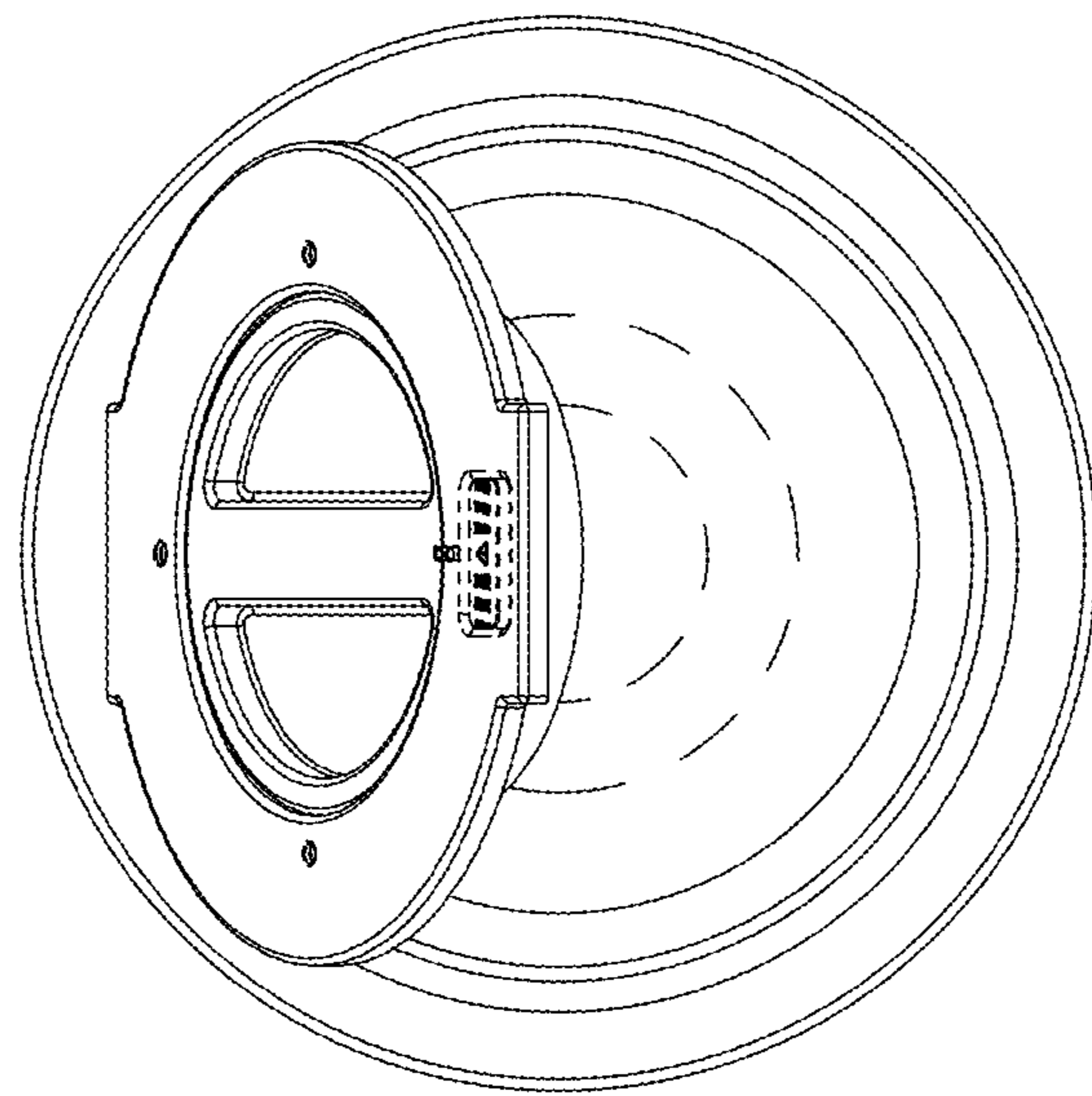


FIG. 7

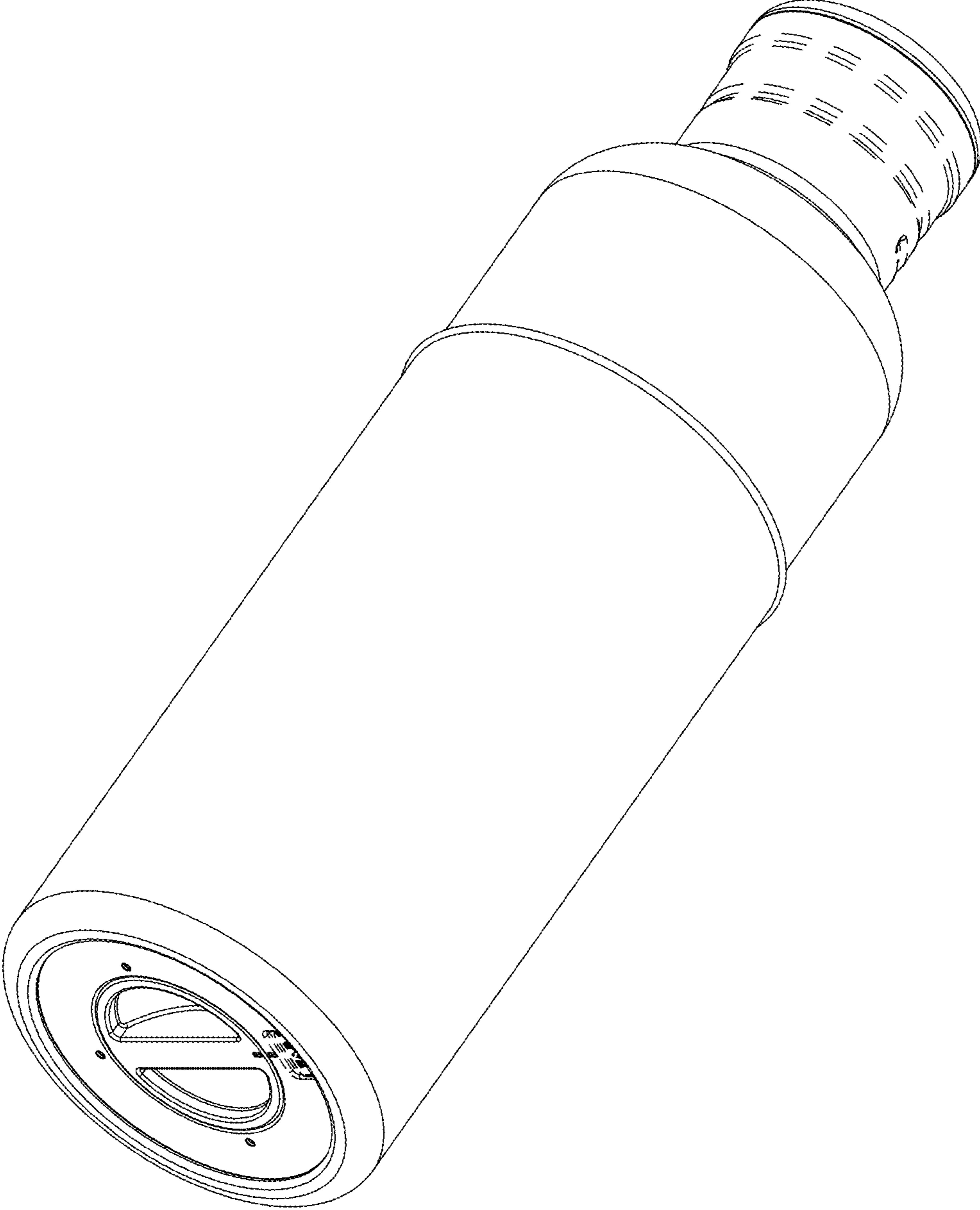


FIG. 8