



US00D861429S

(12) **United States Design Patent** (10) **Patent No.:** **US D861,429 S**
Lin (45) **Date of Patent:** **** Oct. 1, 2019**

(54) **CULINARY TORCH**
(71) Applicant: **Dan Hong Lin**, Shenzhen (CN)
(72) Inventor: **Dan Hong Lin**, Shenzhen (CN)
(**) Term: **15 Years**
(21) Appl. No.: **29/680,625**
(22) Filed: **Feb. 19, 2019**
(51) **LOC (12) Cl.** **07-99**
(52) **U.S. Cl.**
USPC **D7/416**; D7/368; D15/144; D8/29.1
(58) **Field of Classification Search**
USPC D7/368, 386, 416; D8/30, 29.1;
D15/144; D27/154, 147, 139
CPC F23D 14/465; F23D 14/38; F23D 14/28
See application file for complete search history.

D667,993 S 9/2012 Lin
9,822,971 B2* 11/2017 Lee F23D 14/28
D809,343 S * 2/2018 Kotani D7/416
10,161,629 B2* 12/2018 Yang F23D 14/00
D847,232 S * 4/2019 Zahriya D15/144
2008/0124665 A1* 5/2008 Aronson F23D 14/28
431/6
2008/0160471 A1* 7/2008 Lin F23D 14/28
431/344
2016/0018033 A1* 1/2016 Kim F23D 14/28
285/351
2016/0281980 A1* 9/2016 Lee F23D 14/28

* cited by examiner

Primary Examiner — Marianne N Pandozzi
(74) *Attorney, Agent, or Firm* — JCIP Global Inc.

(57) **CLAIM**

The ornamental design for a culinary torch, as shown and described.

(56) **References Cited**

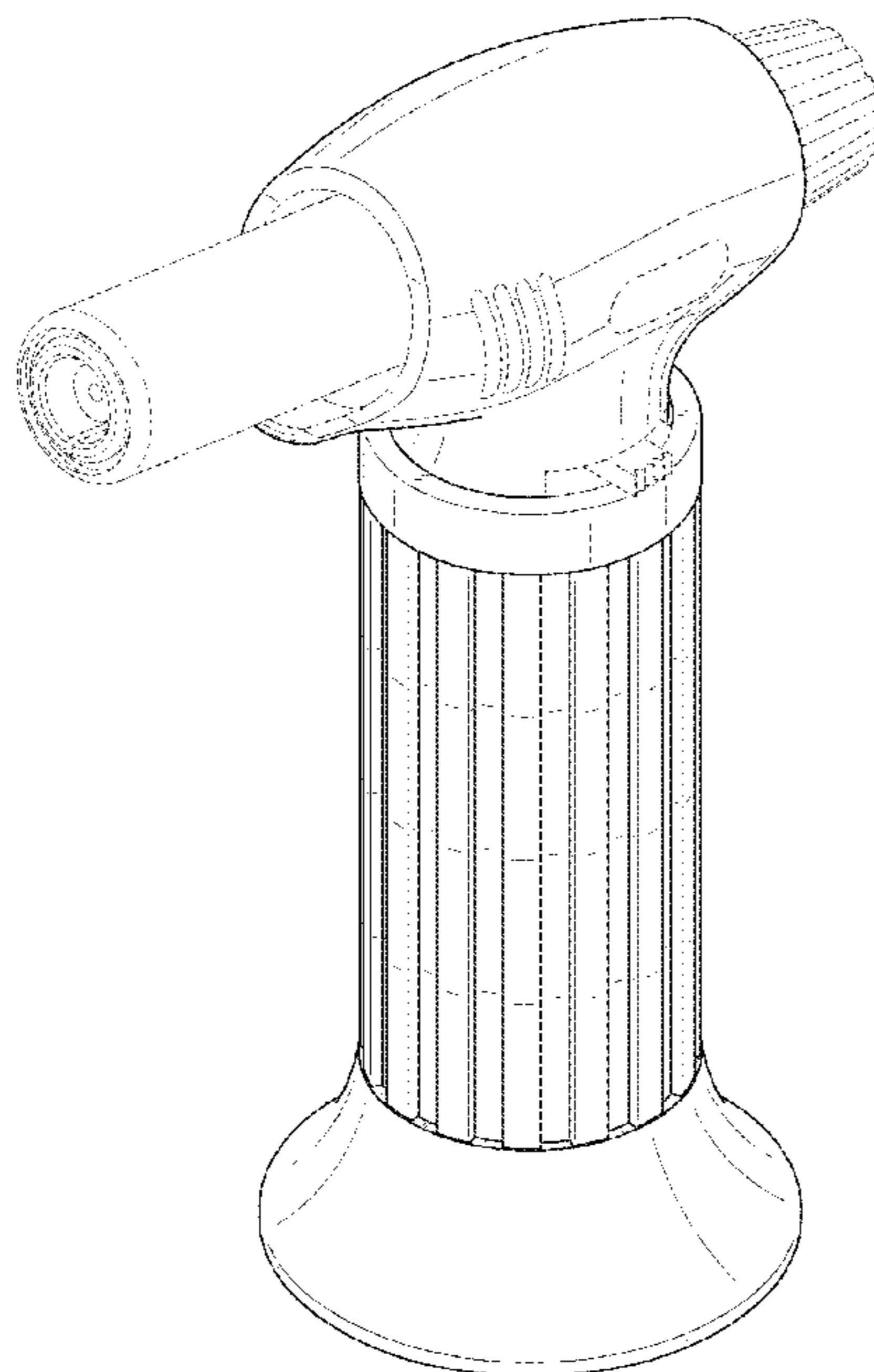
U.S. PATENT DOCUMENTS

D302,098 S * 7/1989 Yoshinaga D8/30
5,466,149 A * 11/1995 Tsai F23D 14/28
126/407
D376,302 S * 12/1996 Tsai D8/29.1
D456,428 S * 4/2002 Aronson, II D15/144
D477,507 S * 7/2003 Lin D8/30
D477,747 S * 7/2003 Hsu D7/416
6,932,596 B2* 8/2005 Watanabe F23D 14/28
431/153
D519,800 S 5/2006 Glover et al.
D587,975 S 3/2009 Aronson, II et al.
7,527,496 B2* 5/2009 Lin F23D 14/465
431/153
7,566,219 B2* 7/2009 Lin F23D 14/28
431/153

DESCRIPTION

FIG. 1 is a perspective view of a culinary torch showing my new design;
FIG. 2 is another perspective view thereof;
FIG. 3 is a front view thereof;
FIG. 4 is a rear view thereof;
FIG. 5 is a left side view thereof;
FIG. 6 is a right side view thereof;
FIG. 7 is a top view thereof; and,
FIG. 8 is a bottom view thereof.
The broken lines shown in the drawings represent portions of the culinary torch that form no part of the claimed design.

1 Claim, 7 Drawing Sheets



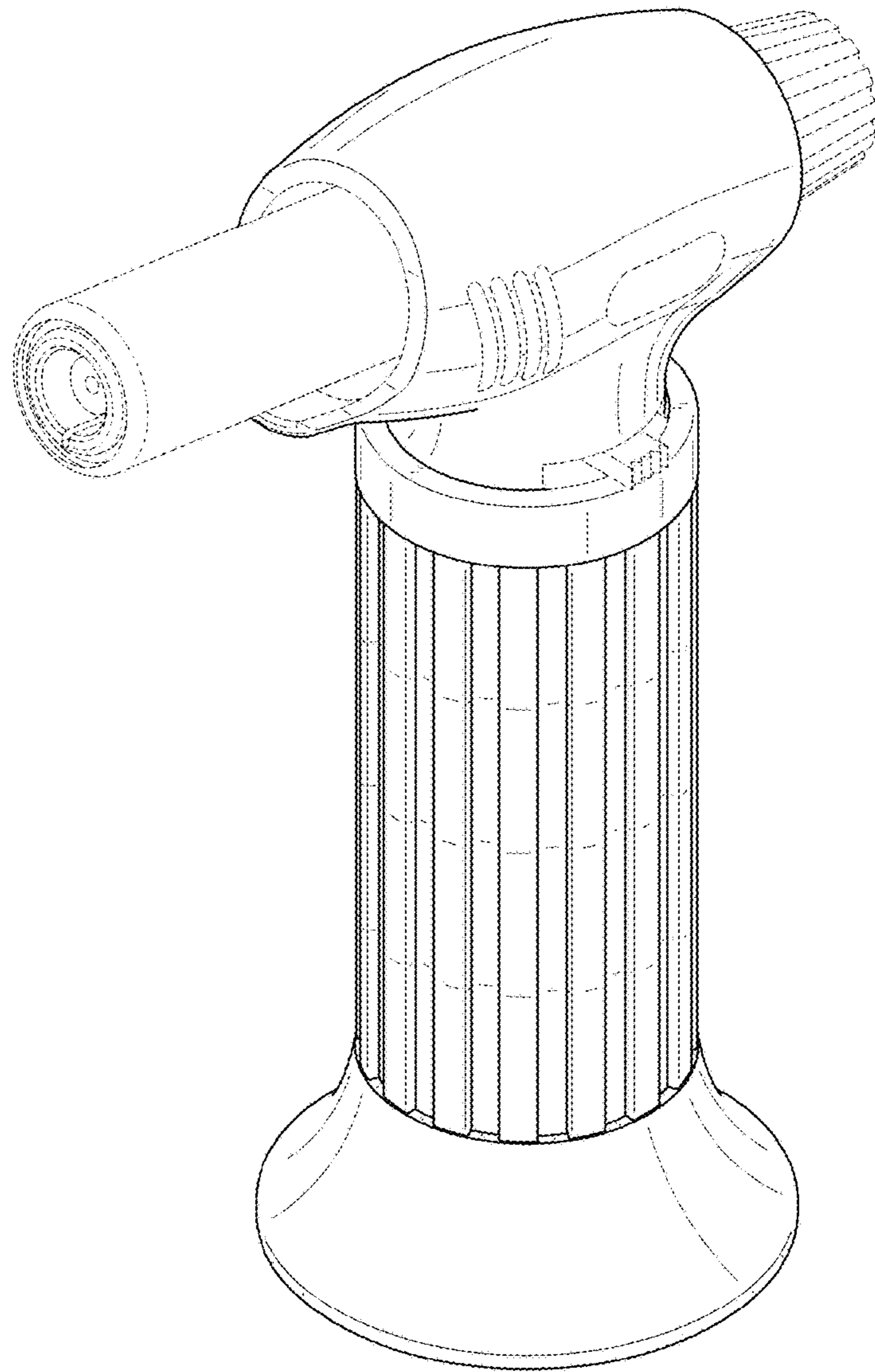


FIG. 1

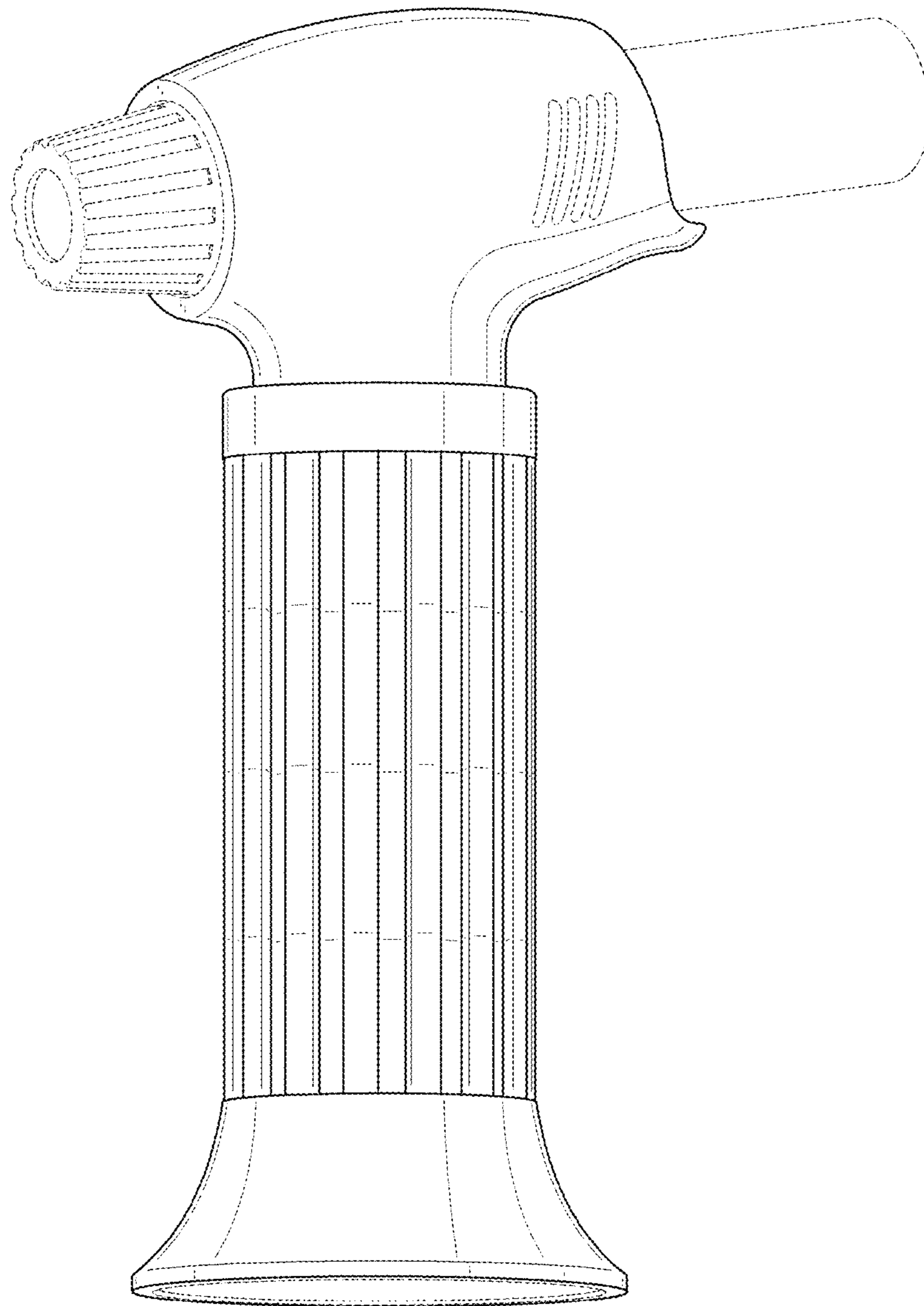


FIG. 2

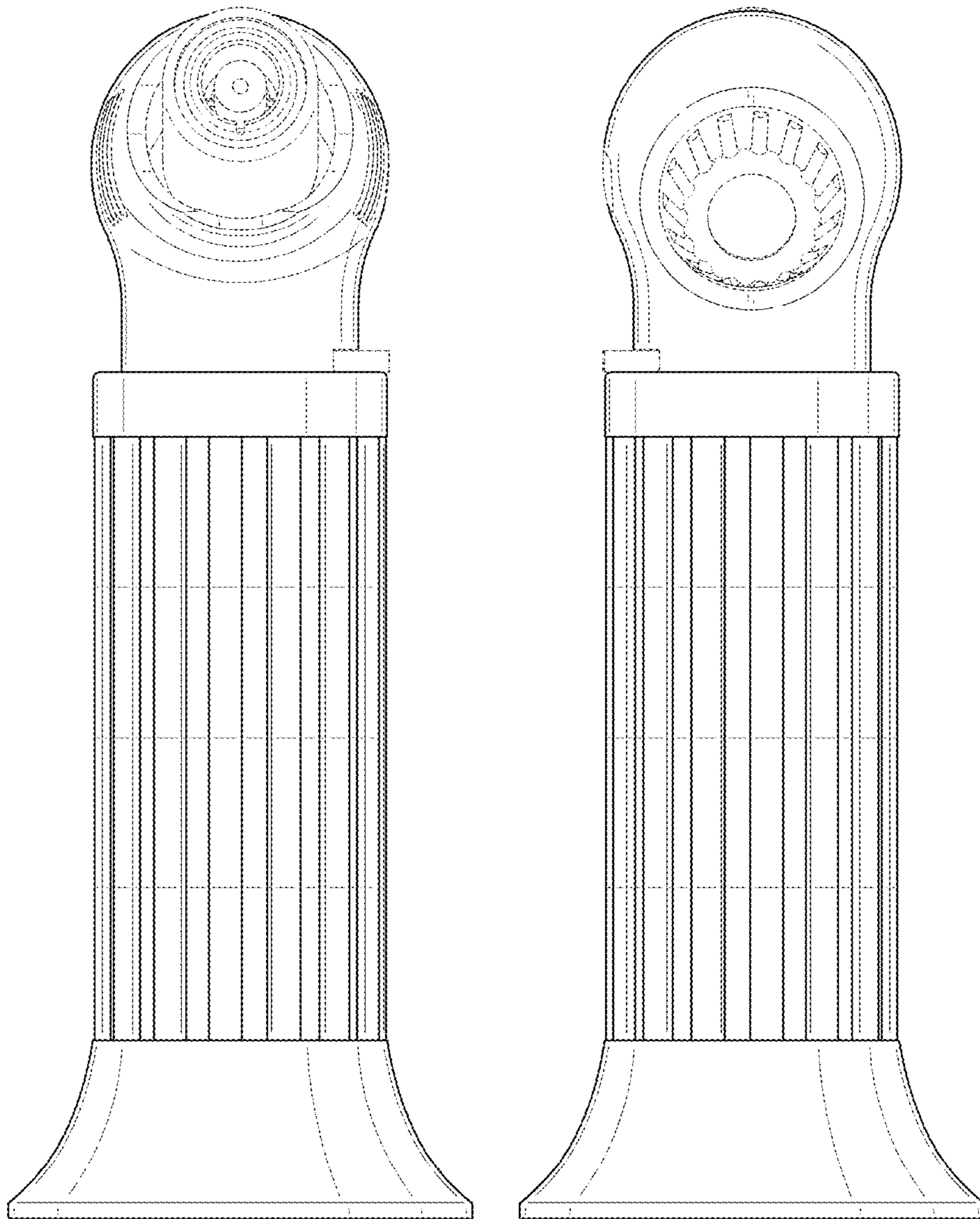


FIG. 3

FIG. 4

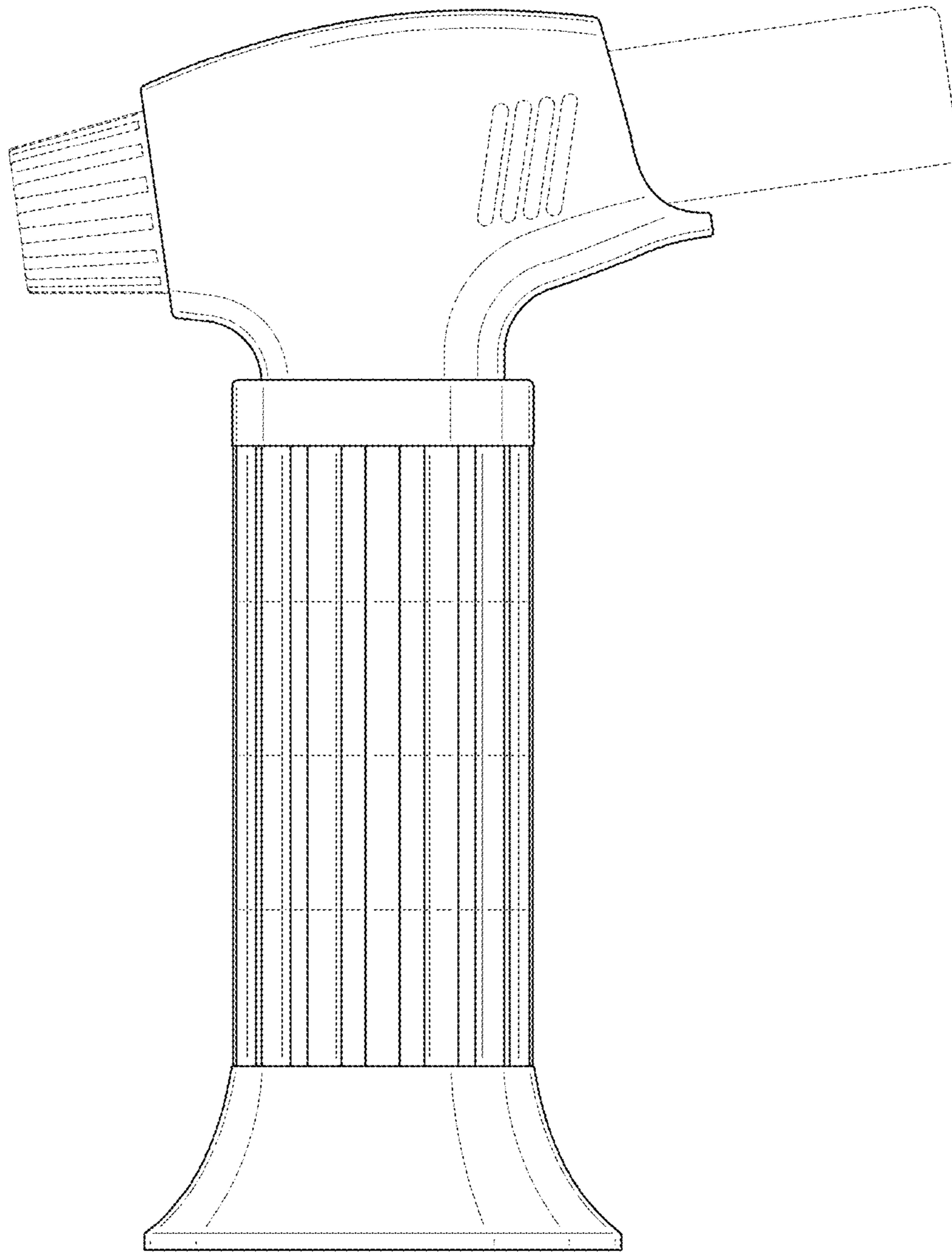


FIG. 5

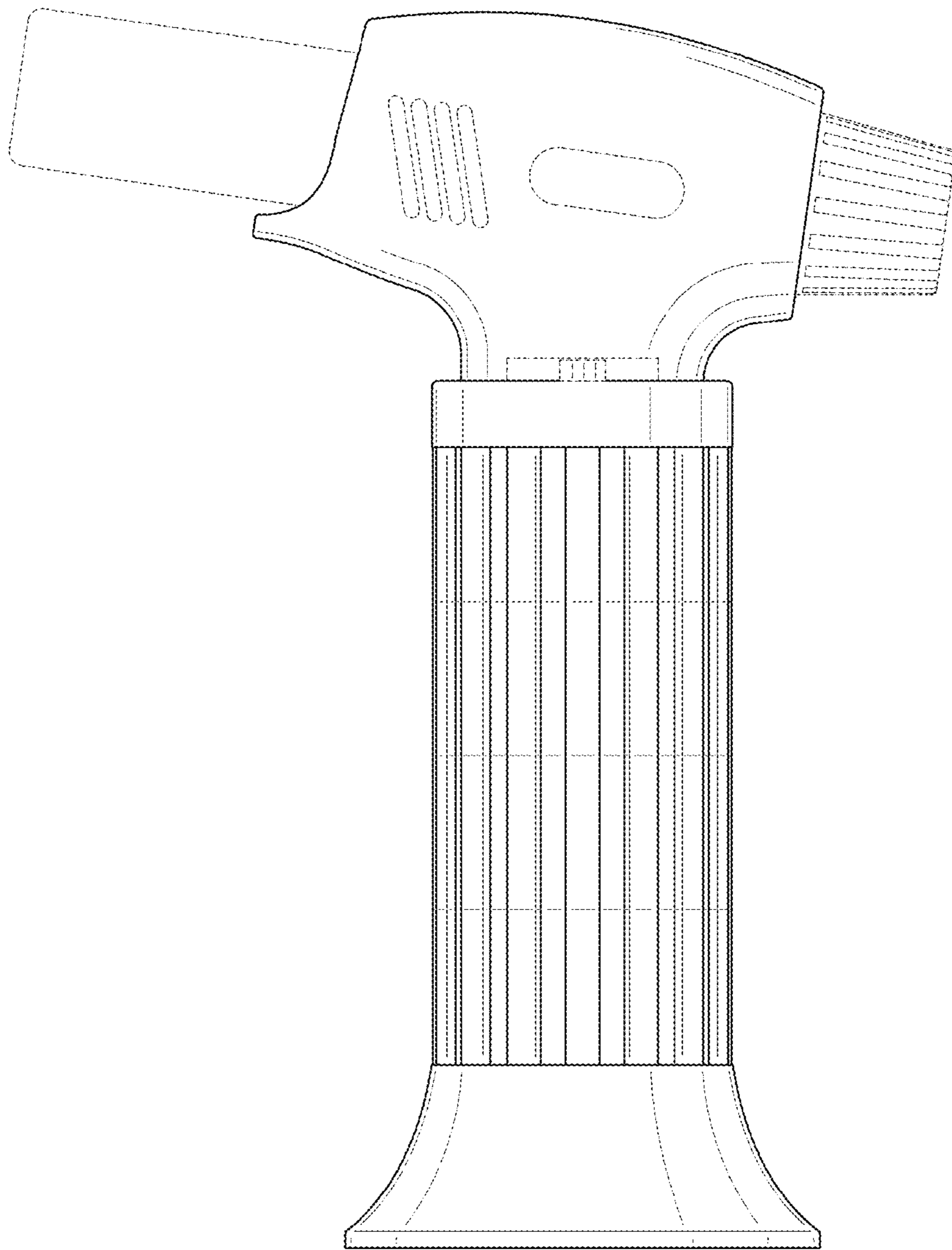


FIG. 6

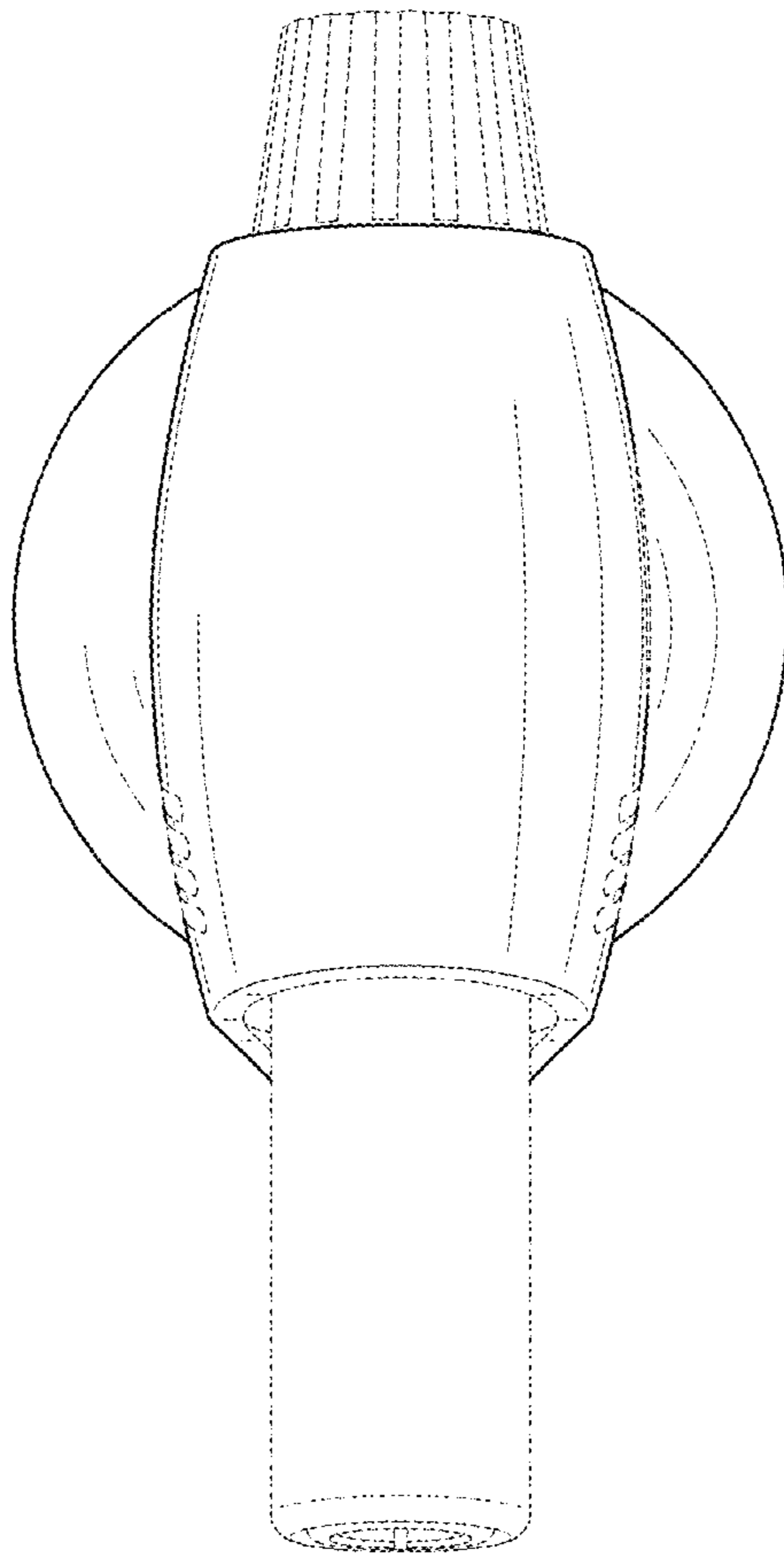


FIG. 7

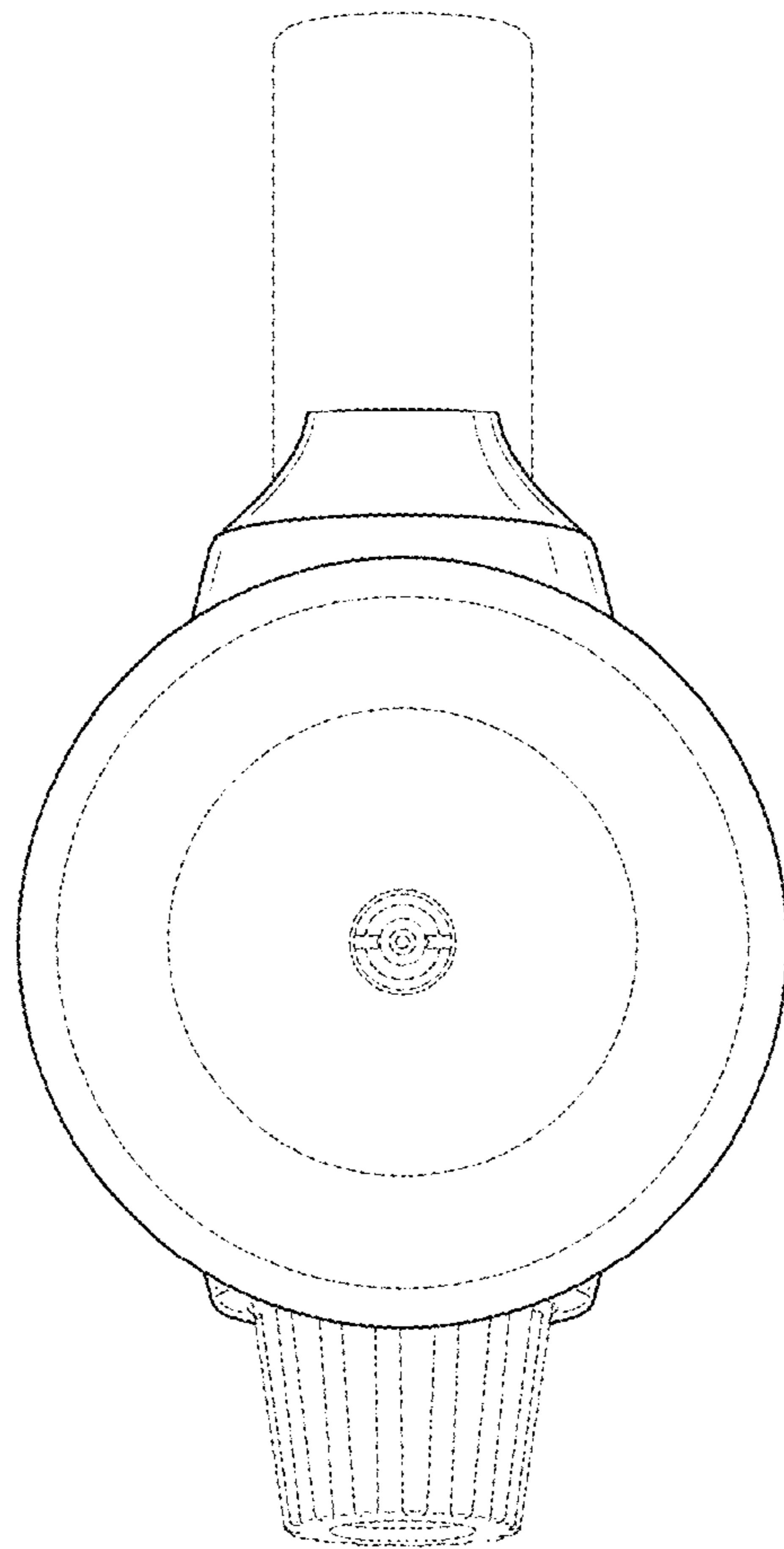


FIG. 8