



US00D861428S

(12) **United States Design Patent** (10) **Patent No.:** **US D861,428 S**
Smith (45) **Date of Patent:** **** Oct. 1, 2019**

(54) **FOOD PROCESSOR**

OTHER PUBLICATIONS

(71) Applicant: **SharkNinja Operating LLC**,
Needham, MA (US)

Application for Registration of an Industrial Design Examiner's Report; Canadian Application No. 172856; Date of Mailing: May 31, 2017; 3 Pages.

(72) Inventor: **Cory Smith**, Auburndale, MA (US)

(Continued)

(73) Assignee: **SHARKNINJA OPERATING LLC**,
Needham, MA (US)

Primary Examiner — Ricky Pham

(74) *Attorney, Agent, or Firm* — Cantor Colburn LLP

(**) Term: **15 Years**

(57) **CLAIM**

The ornamental design for a food processor, as shown and described.

(21) Appl. No.: **29/673,938**

DESCRIPTION

(22) Filed: **Dec. 18, 2018**

Related U.S. Application Data

(63) Continuation of application No. 29/611,681, filed on Jul. 24, 2017, now Pat. No. Des. 840,745.

(51) **LOC (12) Cl.** **31-00**

(52) **U.S. Cl.**
USPC **D7/413; D7/376; D7/378; D7/412**

(58) **Field of Classification Search**
USPC **D7/372, 376-386, 412-413, 602, 629, D7/665-666, 669, 679, 693-694**
(Continued)

(56) **References Cited**

U.S. PATENT DOCUMENTS

D191,152 S 8/1961 Rawson
D242,208 S 11/1976 Madl et al.

(Continued)

FOREIGN PATENT DOCUMENTS

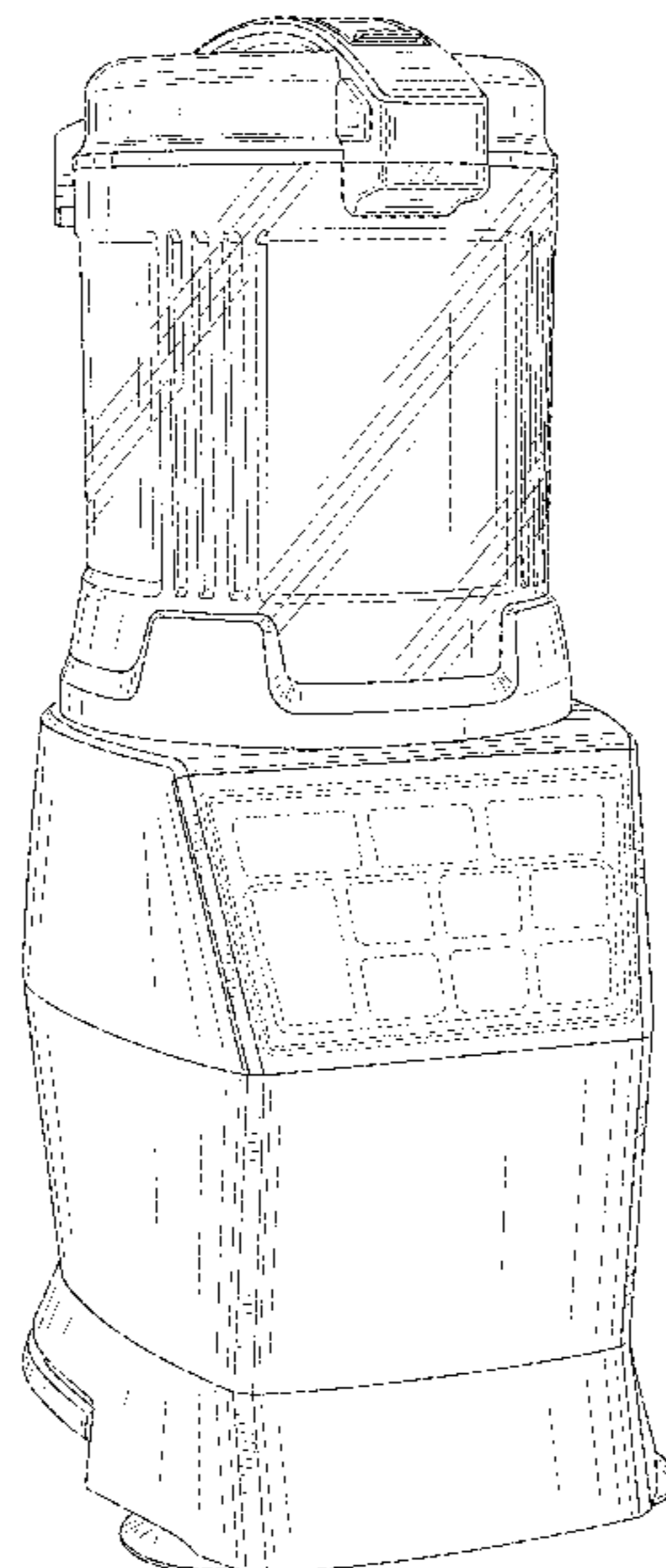
EM 0013887970002 8/2013
JP S6339330 B2 8/1988

(Continued)

FIG. 1 is a perspective view of a food processor container with lid, showing my new design in a first embodiment; FIG. 2 is a front view of the embodiment shown in FIG. 1; FIG. 3 is a rear view of the embodiment shown in FIG. 1; FIG. 4 is a side view of the embodiment shown in FIG. 1; FIG. 5 is another side view of the embodiment shown in FIG. 1; FIG. 6 is a top view of the embodiment shown in FIG. 1; FIG. 7 is a bottom view of the embodiment shown in FIG. 1; FIG. 8 is a perspective view of a food processor container with lid, showing my new design in another embodiment; FIG. 9 is a front view of the embodiment shown in FIG. 8; FIG. 10 is a rear view of the embodiment shown in FIG. 8; FIG. 11 is a side view of the embodiment shown in FIG. 8; FIG. 12 is another side view of the embodiment shown in FIG. 8; FIG. 13 is a top view of the embodiment shown in FIG. 8; and, FIG. 14 is a bottom view of the embodiment shown in FIG. 8.

The broken lines in the figures are for environmental purposes only and form no part of the claimed design. The oblique line shading represents transparent, translucent or reflective surfaces.

1 Claim, 12 Drawing Sheets



(58) **Field of Classification Search**

CPC A21C 1/02; A21C 1/04; A23N 1/00; A23N 1/02; A47J 43/04; A47J 43/25; A47J 43/27; A47J 43/042; A47J 43/044; A47J 43/046; A47J 43/07; A47J 43/075; A47J 43/0716; A47J 43/0722; A47J 43/0727; B01F 3/00; B01F 3/0807; B01F 3/0853; B01F 13/0059; B01F 13/0064; B02C 1/08; B02C 2/04; B02C 4/42; B02C 4/142; B02C 4/143; B02C 4/423; B02C 13/1835; B28C 5/10; B28C 5/12; B28C 5/14; B28C 5/16

See application file for complete search history.

(56)

References Cited

U.S. PATENT DOCUMENTS

D256,318 S 8/1980 Levin
 D293,195 S 12/1987 Kim
 D302,228 S 7/1989 Barrault
 D338,803 S 8/1993 Littmann
 D347,966 S * 6/1994 Doggett D7/378
 D367,583 S 3/1996 Littmann
 D373,703 S 9/1996 Frisell
 D404,606 S 1/1999 Huang
 D404,607 S 1/1999 Huang
 6,092,922 A * 7/2000 Kett A47J 43/0722
 241/282.2
 D444,026 S 6/2001 Chaudeurge
 D445,637 S 7/2001 Feil
 D445,644 S * 7/2001 Littmann D7/412
 D450,978 S 11/2001 Smith
 D453,662 S 2/2002 Hensel
 D488,344 S 4/2004 Seum et al.
 D502,047 S 2/2005 Ledingham et al.
 D512,265 S 12/2005 McCurrach
 D526,531 S 8/2006 Drees et al.
 D530,565 S * 10/2006 Grcic D7/378
 D532,251 S * 11/2006 Kassenaar D7/378
 D533,395 S 12/2006 Drees et al.
 D537,674 S * 3/2007 Davenport D7/378
 D551,915 S 10/2007 Chang Chien
 D552,412 S 10/2007 Steiner
 D552,419 S 10/2007 Picozza et al.
 D553,904 S 10/2007 Romandy
 D567,578 S 4/2008 Chiappetta
 D568,096 S 5/2008 Sun
 D577,537 S 9/2008 Lee
 D587,961 S 3/2009 Lavy
 7,581,668 B2 9/2009 Mally
 D605,462 S 12/2009 Picozza et al.
 D611,760 S 3/2010 Ball
 D615,347 S * 5/2010 Garman D7/376
 D617,136 S 6/2010 Bock et al.
 D617,145 S 6/2010 Picozza et al.
 D625,141 S 10/2010 Moore
 D637,870 S 5/2011 Bock
 D642,857 S 8/2011 Bodum
 D644,480 S 9/2011 Czach et al.
 D645,301 S 9/2011 Tse
 D647,357 S 10/2011 Audette et al.
 D647,367 S 10/2011 Audette et al.
 D647,368 S 10/2011 Audette et al.
 D650,229 S 12/2011 Hensel et al.
 D654,305 S 2/2012 Gursel et al.
 D655,981 S 3/2012 Gursel et al.
 D658,430 S 5/2012 Hoare et al.
 D659,469 S * 5/2012 Hoare D7/376
 D660,642 S 5/2012 Boozer et al.
 D661,548 S * 6/2012 Brinckerhoff D7/376
 D667,259 S 9/2012 Lee et al.
 D667,260 S 9/2012 Lee et al.
 D667,261 S 9/2012 Lee et al.
 D668,100 S 10/2012 Palermo et al.
 D674,235 S 1/2013 Lee et al.

D674,658 S 1/2013 Fouquet
 D677,976 S 3/2013 Palermo et al.
 D690,152 S 9/2013 Palermo et al.
 D694,573 S 12/2013 Norland et al.
 D694,574 S 12/2013 Norland et al.
 D694,582 S 12/2013 Norland
 D694,583 S 12/2013 Norland
 D695,060 S 12/2013 Penaherrera et al.
 D696,063 S 12/2013 Coakley et al.
 D702,078 S 4/2014 Coakley et al.
 D704,502 S 5/2014 Coakley et al.
 D708,007 S 7/2014 Lazzer
 D711,688 S 8/2014 Prats
 D730,681 S 6/2015 Smith et al.
 D730,682 S 6/2015 Tu
 D730,683 S 6/2015 Tu
 D731,234 S * 6/2015 Weaden D7/376
 D731,850 S 6/2015 Smith
 D733,488 S 7/2015 Tu
 D745,316 S 12/2015 Usmar
 D745,317 S 12/2015 Dichraff et al.
 9,265,381 B2 2/2016 Beber et al.
 D755,003 S 5/2016 Palermo et al.
 D758,126 S 6/2016 Benoit et al.
 D761,617 S 7/2016 Dennisur et al.
 D765,462 S 9/2016 Davies
 D765,465 S 9/2016 Du
 D766,649 S 9/2016 Suzuki
 9,439,538 B2 9/2016 Paget
 D771,999 S 11/2016 Kettavong et al.
 D772,011 S 11/2016 Barquin et al.
 D772,650 S 11/2016 Barquin et al.
 D773,247 S 12/2016 Barquin et al.
 D773,248 S 12/2016 Barquin et al.
 D773,249 S 12/2016 Barquin et al.
 D777,515 S * 1/2017 Potter D7/376
 D778,665 S 2/2017 Barquin et al.
 D779,265 S 2/2017 Barquin et al.
 D780,507 S 3/2017 Barquin et al.
 D783,340 S 4/2017 Palermo et al.
 D783,355 S 4/2017 Tu
 D786,613 S 5/2017 McConnell et al.
 D786,614 S 5/2017 Smith et al.
 D786,615 S 5/2017 Tsai
 D787,882 S 5/2017 McConnell et al.
 D787,883 S 5/2017 Tu
 D788,520 S 6/2017 Blaise
 D789,735 S 6/2017 Palermo et al.
 D789,736 S 6/2017 Palermo et al.
 9,675,212 B2 6/2017 Hewitt et al.
 D793,153 S 8/2017 Tu
 D794,384 S 8/2017 Lee
 D795,005 S 8/2017 Coakley et al.
 D797,496 S 9/2017 Gee, II et al.
 D797,505 S 9/2017 Tu
 D807,118 S 1/2018 Kettavong et al.
 D808,718 S 1/2018 Coakley
 D808,719 S 1/2018 Coakley
 9,855,535 B2 1/2018 Arnett et al.
 D809,333 S 2/2018 Lee
 D809,334 S 2/2018 Lee
 D809,342 S 2/2018 Coakley
 D811,166 S * 2/2018 Smith D7/413
 D811,804 S 3/2018 Smith
 D811,805 S 3/2018 Smith
 D811,806 S 3/2018 Bock
 D812,963 S 3/2018 Smith
 D812,964 S 3/2018 Tu
 D813,603 S 3/2018 Tu
 D821,806 S 7/2018 Coakley et al.
 D823,637 S 7/2018 Coakley
 D840,745 S * 2/2019 Smith A47J 43/0722
 D7/384
 2008/0089170 A1 4/2008 Larsen et al.
 2008/0089171 A1 4/2008 Larsen et al.
 2008/0219089 A1 9/2008 Sandford et al.
 2009/0129200 A1 5/2009 Breviere et al.
 2010/0246319 A1 9/2010 Pryor, Jr. et al.

(56)

References Cited

U.S. PATENT DOCUMENTS

2014/0247686 A1 9/2014 Arnett et al.
 2016/0220071 A1 8/2016 Hewitt et al.
 2016/0331182 A1 11/2016 Golino

FOREIGN PATENT DOCUMENTS

JP	D1491536 S	3/2014
JP	D1488258 S	1/2015
JP	D1533047 S	9/2015
JP	D1545614 S	3/2016
JP	D1592330 S	12/2017
JP	D1592331 S	12/2017
JP	D1603847 S	5/2018
JP	D1603848 S	5/2018
KR	300382339 S	5/2005
KR	300398683 S	11/2005

OTHER PUBLICATIONS

Application for Registration of an Industrial Design Examiner's Report; Canadian Application No. 172856; Date of Mailing: Sep. 20, 2017; 2 Pages.

Application for Registration of an Industrial Design Examiner's Report; Canadian Application No. 172857; Date of Mailing: May 31, 2017; 3 Pages.

Application for Registration of an Industrial Design Examiner's Report; Canadian Application No. 172857; Date of Mailing: Sep. 20, 2017; 2 Pages.

Application for Registration of an Industrial Design Examiner's Report; Canadian Application No. 176806; Date of Mailing: Oct. 30, 2017; 2 Pages.

Application for Registration of an Industrial Design Examiner's Report; Canadian Application No. 176806; Mailing Date: Mar. 26, 2018; 4 Pages.

Application for Registration of an Industrial Design Examiner's Report; Canadian Application No. 176809; Date of Mailing: Oct. 30, 2017; 2 Pages.

Application for Registration of an Industrial Design Examiner's Report; Canadian Application No. 176809; Mailing Date: Mar. 26, 2018; 4 Pages.

CA Office Action; Application No. 176806; Ref: 05004321-665CA-1; dated Jul. 17, 2018; pp. 1-5.

CA Office Action; Application No. 176809; Ref: 05004321-666CA-1; dated Jul. 17, 2018; pp. 1-5.

Design No. 28449; Soviet Design Gazette; vol. 3; Published: Sep. 15, 1990; pp. 180-181.

Examination Report; Community Design(s) Registration No(s). 004676815-0001 through 004676815-0008; dated Jan. 29, 2018; 2 Pages.

Examination Report; Community Design(s) Registration No(s). 004676864-0001 through 004676864-0008; dated Jan. 29, 2018; 2 Pages.

Formalities Notice No. 1—Requirements for Registration Not Met; Australian Design Application No. 201810355; Mailing Date: Feb. 15, 2018; 3 Pages.

Formalities Notice No. 1—Requirements for Registration Not Met; Australian Design Application No. 201810356; Mailing Date: Feb. 15, 2018; 3 Pages.

Formalities Notice No. 1—Requirements for Registration Not Met; Australian Design Application No. 201810357; Mailing Date: Feb. 15, 2018; 3 Pages.

Japanese Design No. D1491535 (S); Publication Date: Mar. 3, 2014; Machine Translation; 9 Pages.

Japanese Design No. D1491536 (S); Publication Date: Mar. 3, 2014; Machine Translation; 9 Pages.

Japanese Design No. D1518840 (S); Publication Date: Mar. 9, 2015; Machine Translation; 10 Pages.

Japanese Design No. D1523840 (S); Publication Date: May 18, 2015; Machine Translation; 9 Pages.

Japanese Design No. D1528172 (S); Publication Date: Jul. 6, 2015; Machine Translation; 9 Pages.

Japanese Design No. D1533047 (S); Publication Date: Sep. 7, 2015; Machine Translation; 9 Pages.

Japanese Design No. D1545614 (S); Publication Date: Mar. 14, 2016; Machine Translation; 6 Pages.

Japanese Design No. D1592330 (S); Publication Date: Dec. 4, 2017; Machine Translation; 14 Pages.

Japanese Design No. D1592331 (S); Publication Date: Dec. 4, 2017; Machine Translation; 14 Pages.

JP Notice of Allowance with English Translation; Japanese Design Application No. 2018-1279; dated Sep. 28, 2018, pp. 1-6.

JP Notice of Allowance with English Translation; Japanese Design Application No. 2018-1280; dated Sep. 28, 2018, pp. 1-6.

JP Notice of Allowance with English Translation; Japanese Design Application No. 2018-1281; dated Sep. 28, 2018; pp. 1-6.

JP Notice of Allowance with English Translation; Japanese Design Application No. 2018-1282; dated Sep. 28, 2018; pp. 1-6.

JP Notice of Allowance with English Translation; Japanese Design Application No. 2018-1284; dated Sep. 28, 2018; pp. 1-6.

JP Notice of Allowance with English Translation; Japanese Design Application No. 2018-1285; dated Sep. 28, 2018; pp. 1-6.

JP Notice of Allowance with English Translation; Japanese Design Application No. 2018-1286; dated Sep. 28, 2018; pp. 1-6.

JP Notice of Allowance with English Translation; Japanese Design Application No. 2018-1287; dated Sep. 28, 2018; pp. 1-6.

JP Notice of Allowance with English Translation; Japanese Design Application No. 2018-1289; dated Sep. 28, 2018; pp. 1-6.

JP Notice of Allowance with English Translation; Japanese Design Application No. 2018-1292; dated Sep. 28, 2018; pp. 1-6.

JP Notice of Allowance with English Translation; Japanese Design Application No. 2018-1293; dated Sep. 28, 2018; pp. 1-6.

JP Notice of Allowance with English Translation; Japanese Design Application No. 2018-1295; dated Sep. 28, 2018; pp. 1-6.

JP Notice of Allowance with English Translation; Japanese Design Application No. 2018-1296; dated Sep. 28, 2018; pp. 1-6.

JP Notice of Allowance with English Translation; Japanese Design Application No. 2018-1297; dated Sep. 28, 2018; pp. 1-6.

JP Notice of Allowance with English Translation; Japanese Design Application No. 2018-1298; dated Sep. 28, 2018; pp. 1-6.

JP Notice of Allowance with English Translation; Japanese Design Application No. 2018-6518; dated Sep. 28, 2018; pp. 1-6.

KR Office Action Notice of the Preliminary Rejection; Korean Design Application No. 30-2018-0004179; dated Sep. 19, 2018; pp. 1-3.

KR Office Action Notice of the Preliminary Rejection; Korean Design Application No. 30-2018-0004180; dated Sep. 19, 2018; pp. 1-3.

KR Office Action Notice of the Preliminary Rejection; Korean Design Application No. 30-2018-0004181; dated Sep. 19, 2018; pp. 1-3.

Notice of Allowance; Blender Base; U.S. Appl. No. 29/531,840, filed Jun. 30, 2015; Notification Date: Oct. 4, 2016; 7 Pages.

Notice of Allowance; Blender Base; U.S. Appl. No. 29/531,840, filed Jun. 30, 2015; Notification Date: Nov. 25, 2016; 11 Pages.

Notice of Allowance; Blender Base; U.S. Appl. No. 29/531,840, filed Jun. 30, 2015; Notification Date: Feb. 16, 2017; 11 Pages.

Notice of Allowance; Blender; U.S. Appl. No. 29/604,189, filed May 16, 2017; Notification Date: Jan. 31, 2018; 21 Pages.

Notice of Allowance; Blender; U.S. Appl. No. 29/519,682, filed Mar. 6, 2015; Notification Date: Aug. 12, 2016; 6 Pages.

* cited by examiner

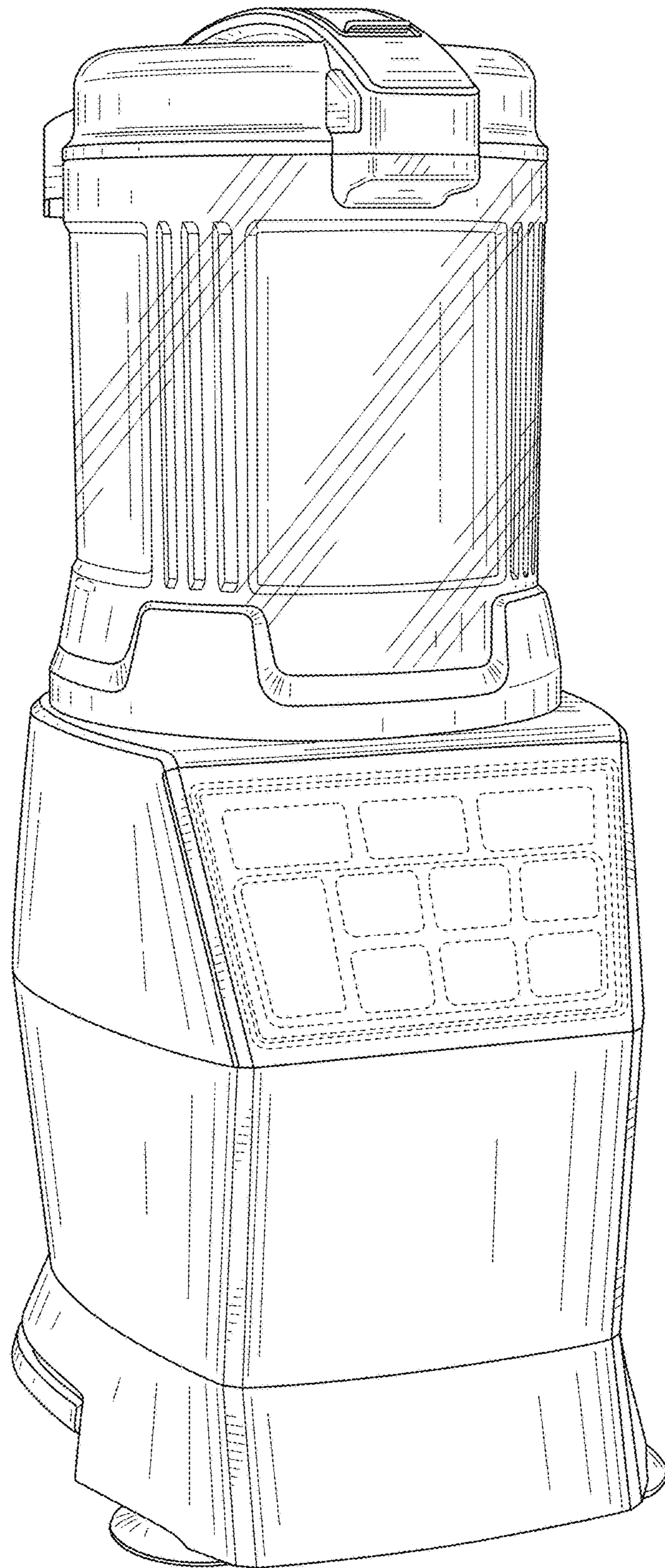


FIG. 1

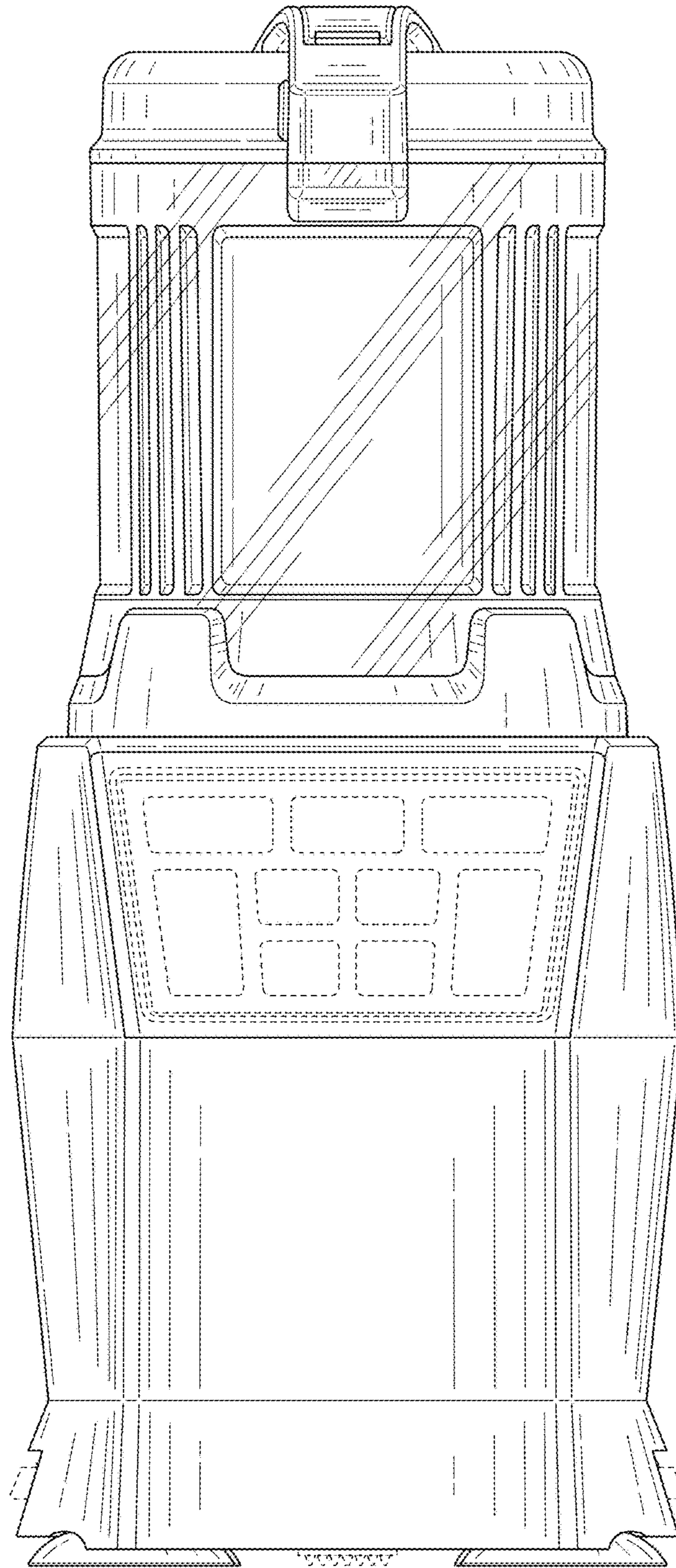


FIG. 2

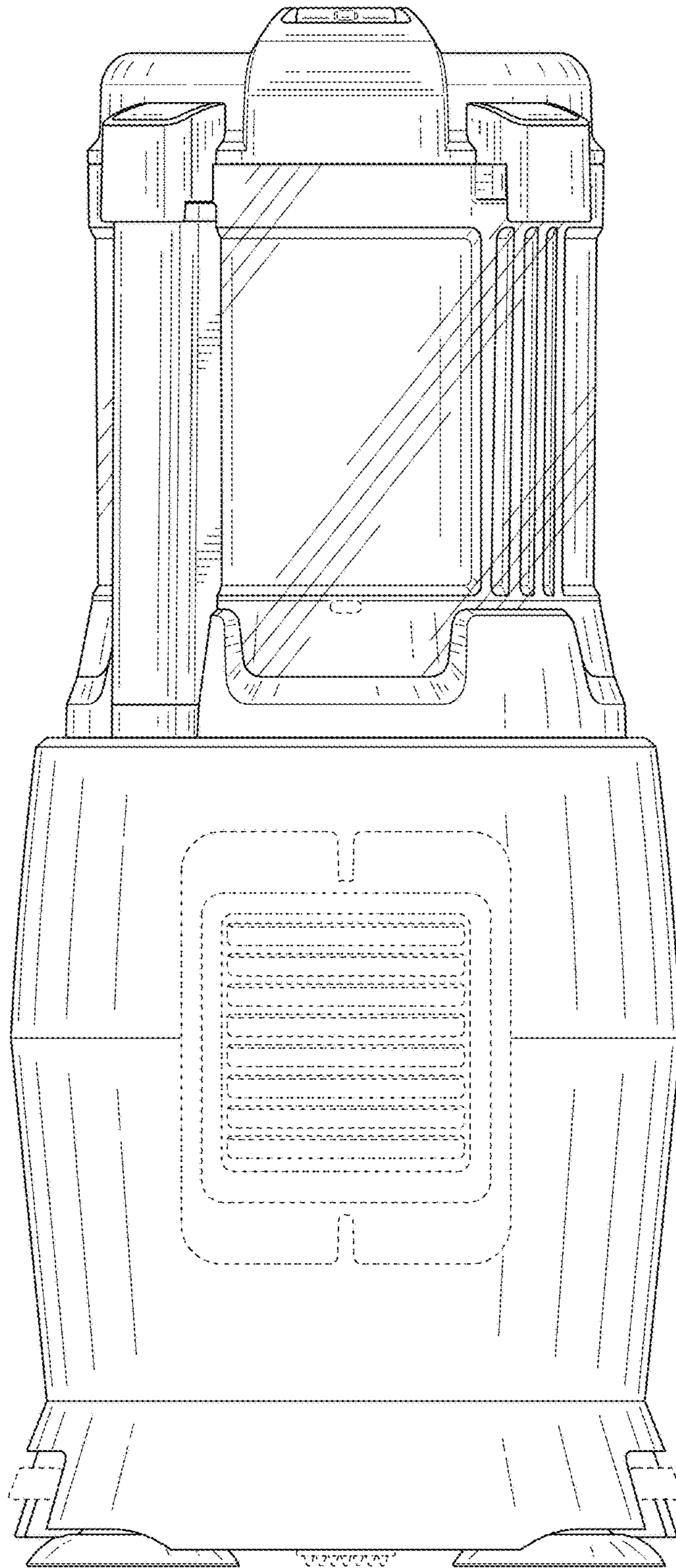


FIG. 3

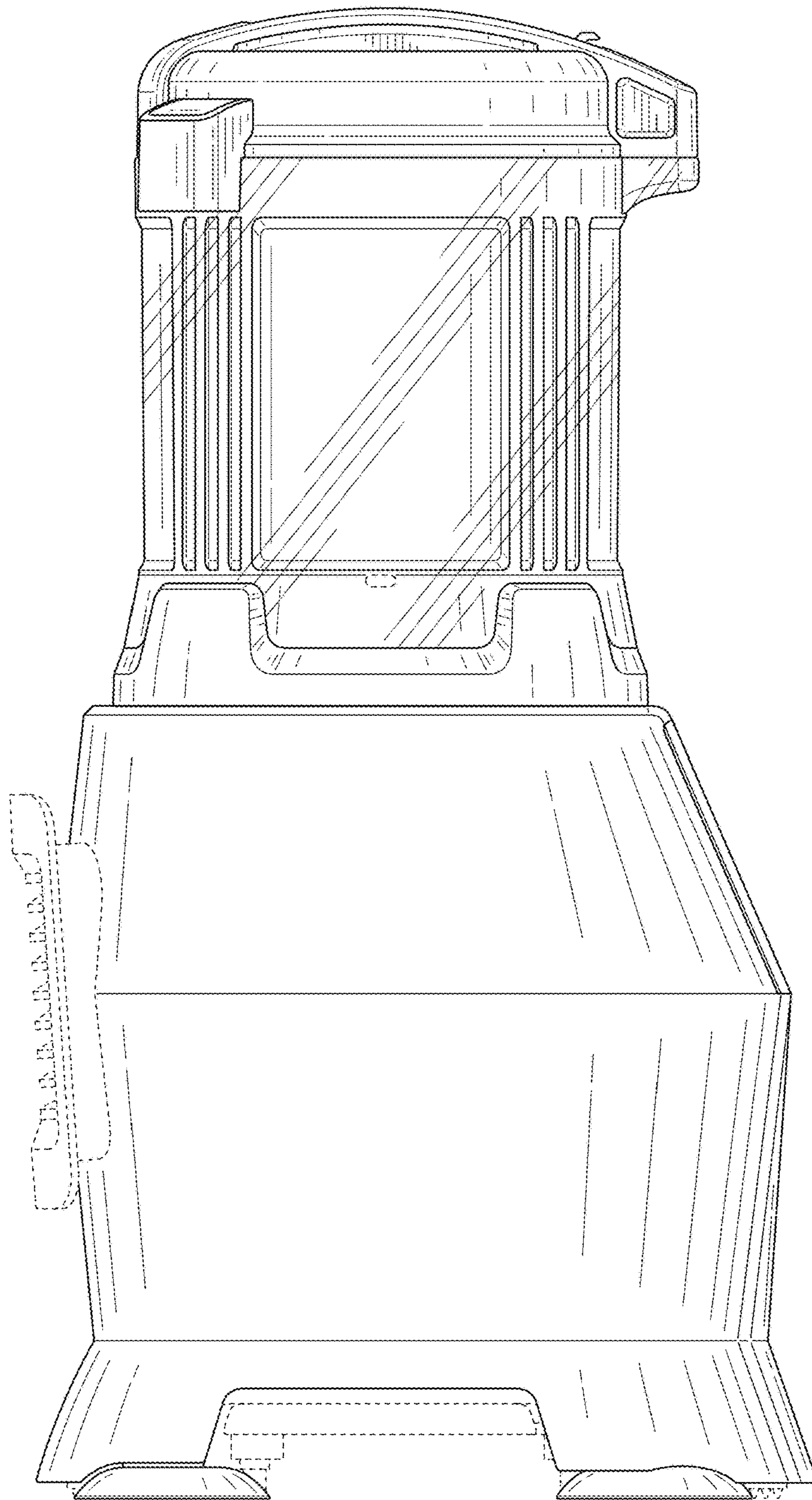


FIG. 4

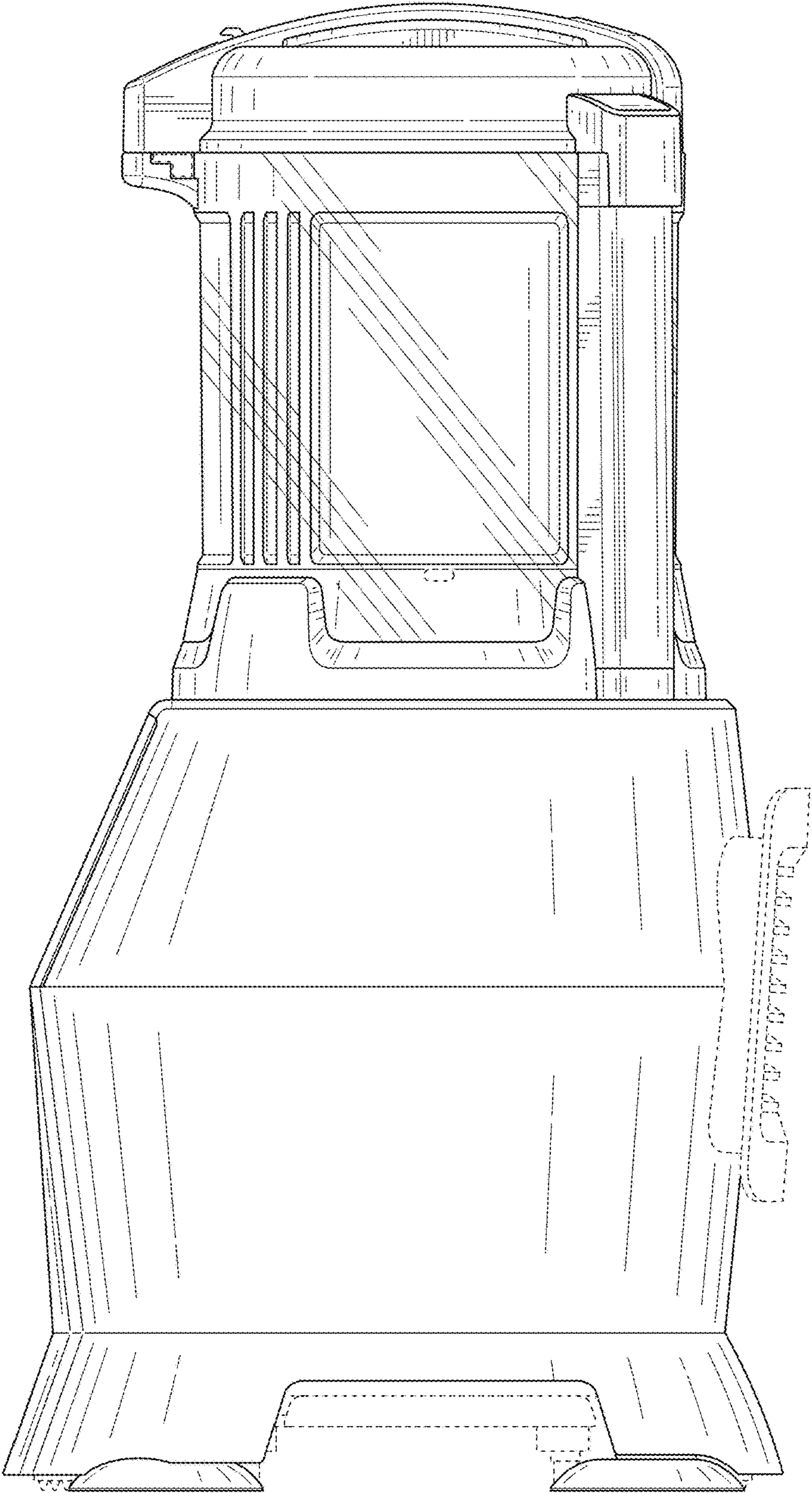


FIG. 5

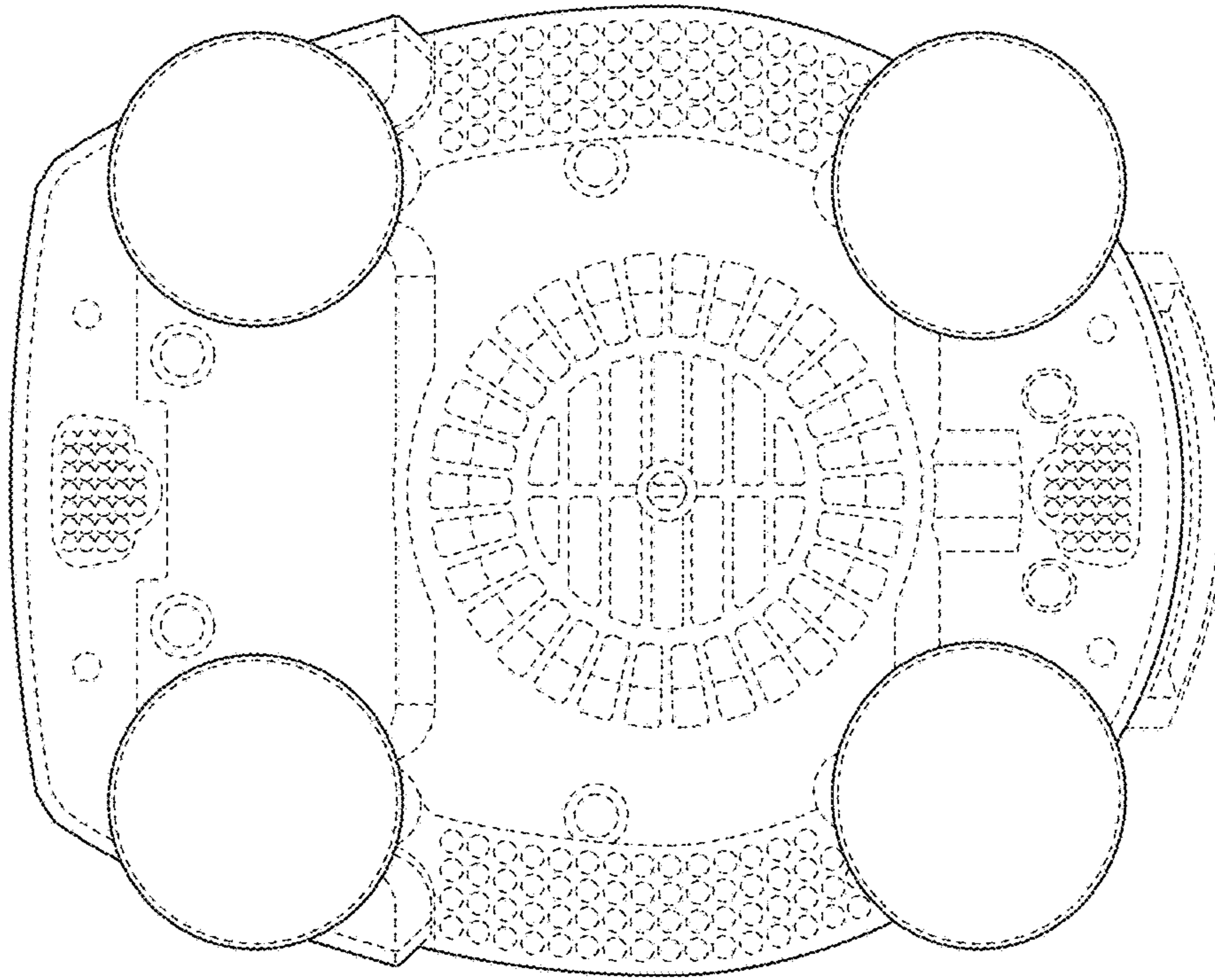


FIG. 7

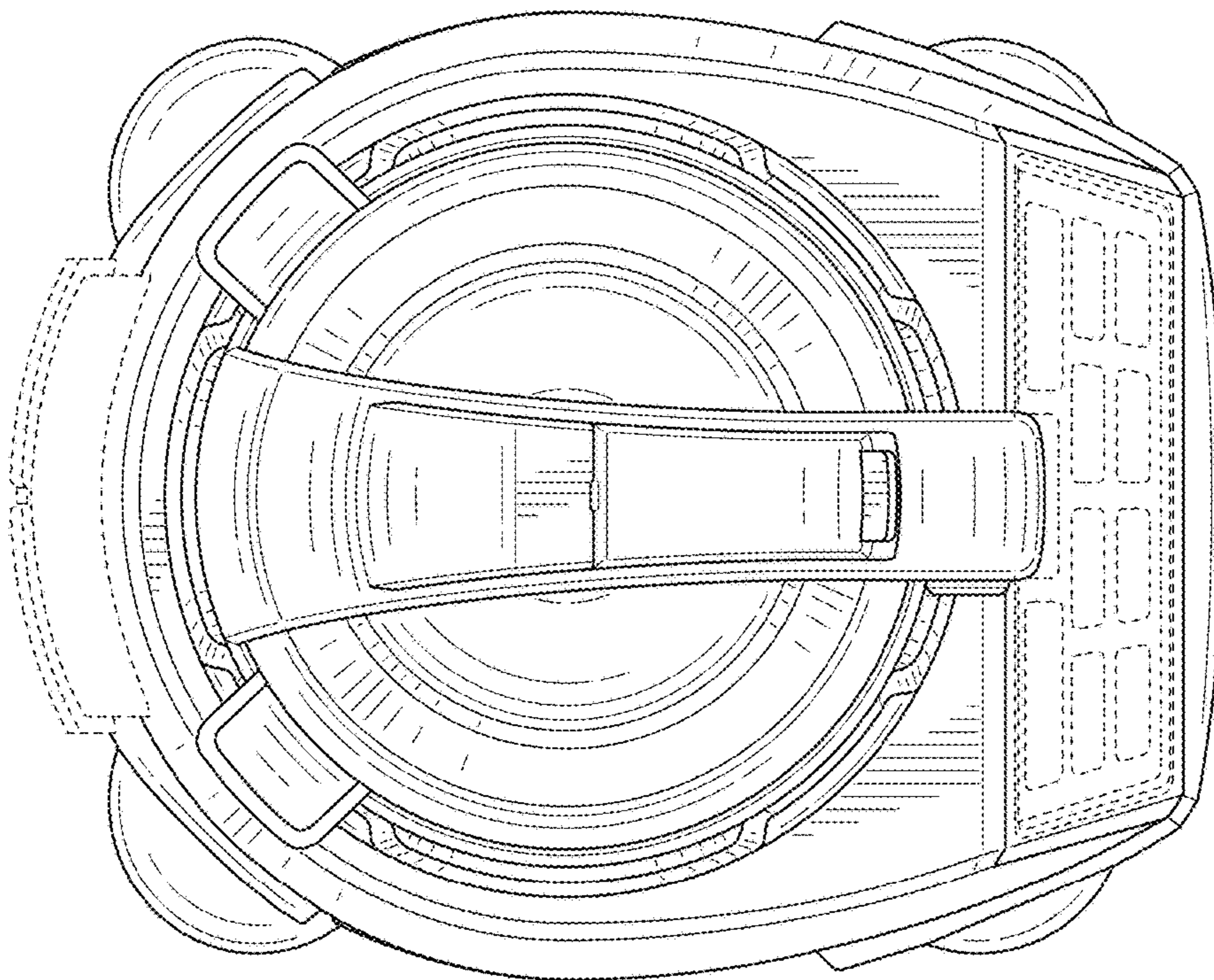


FIG. 6

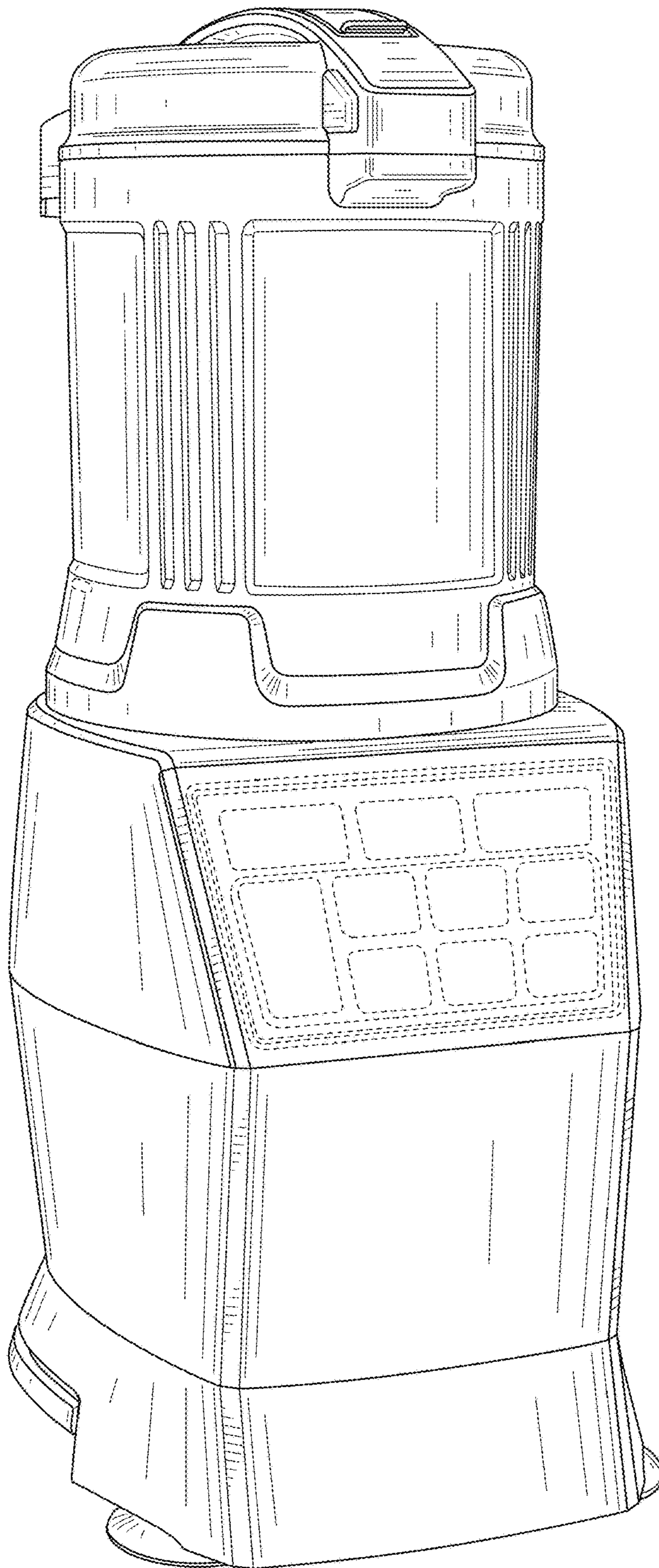


FIG. 8

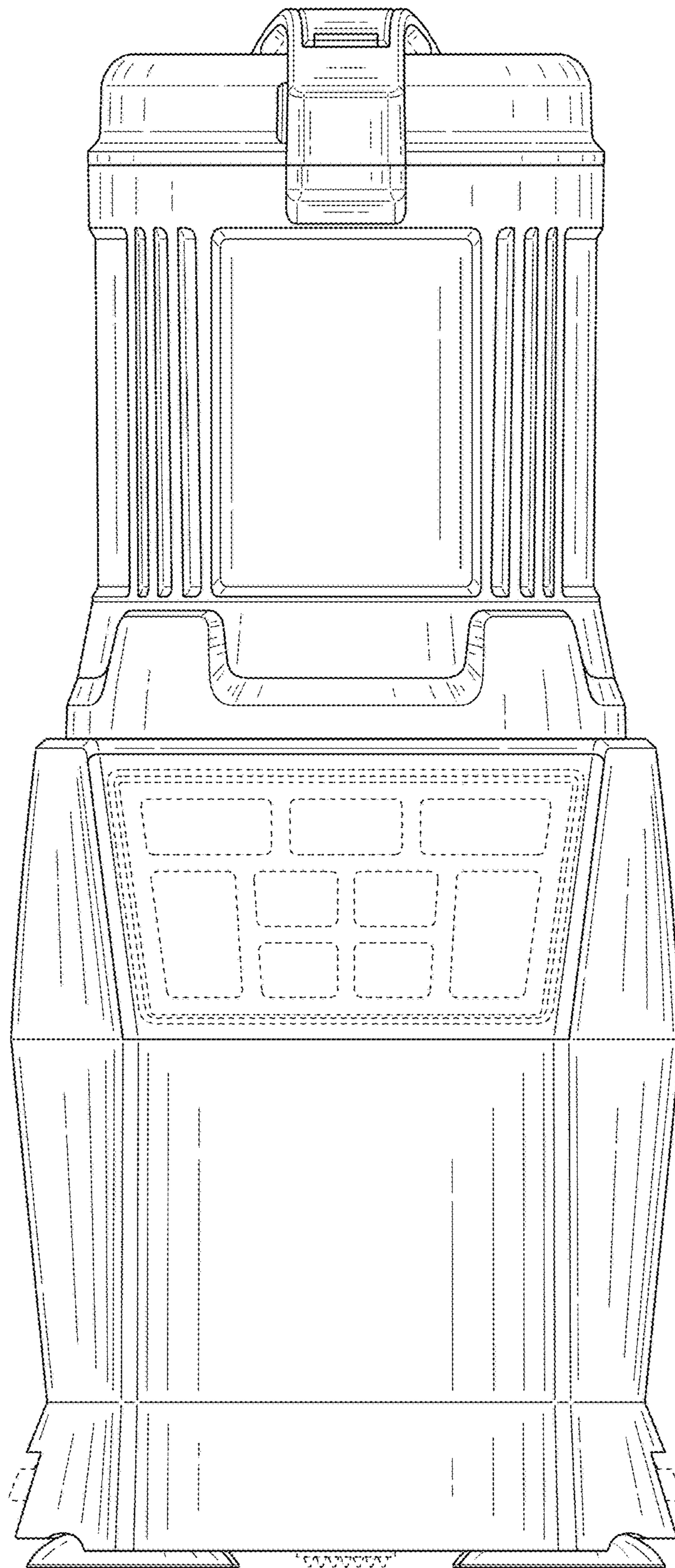


FIG. 9

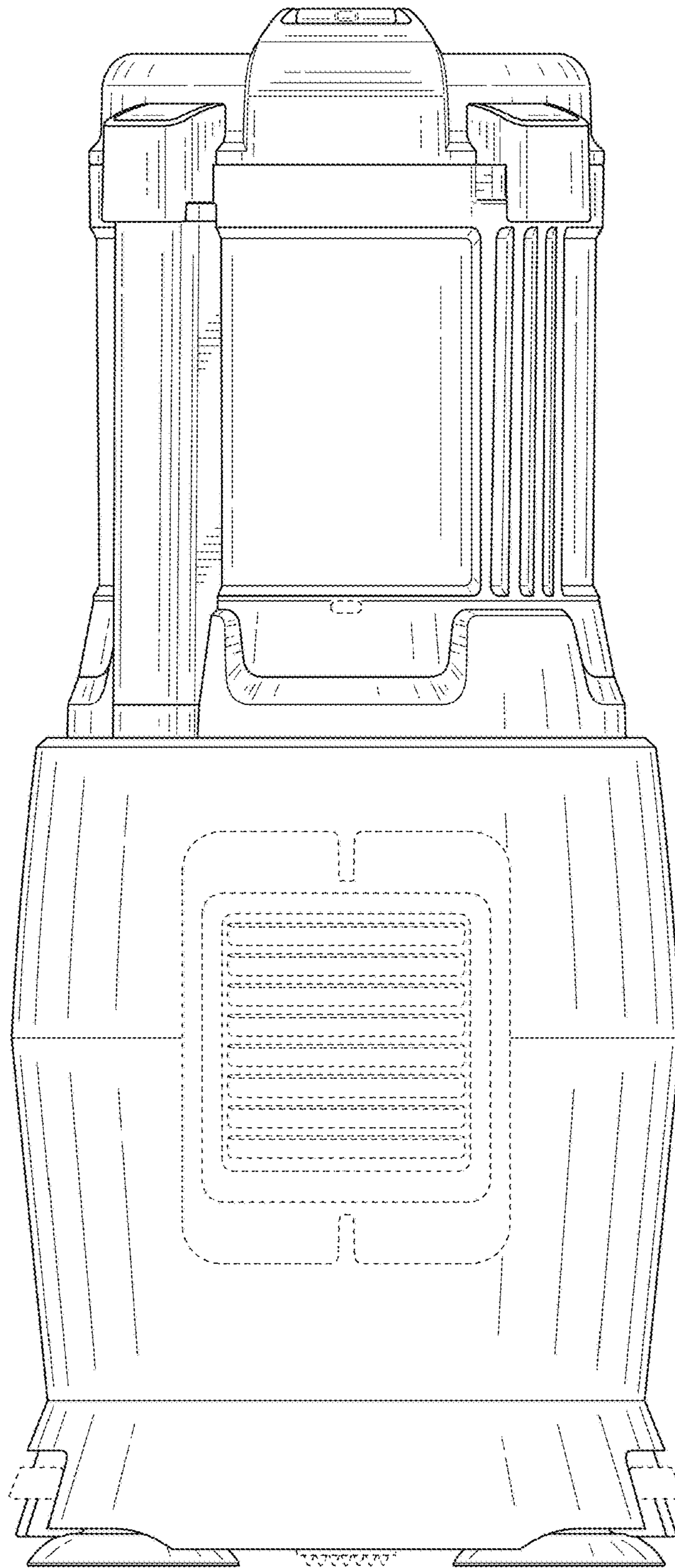


FIG. 10

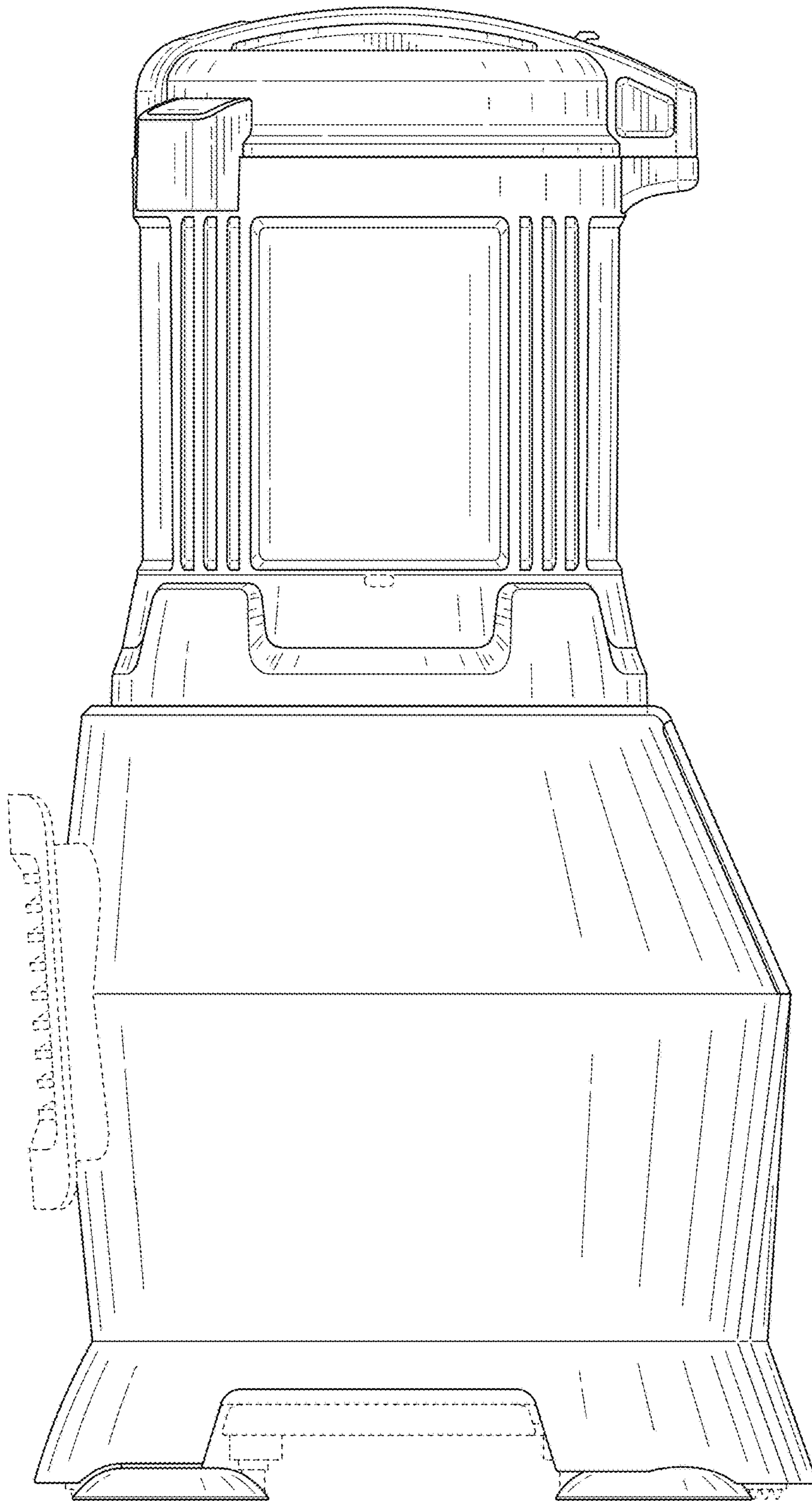


FIG. 11

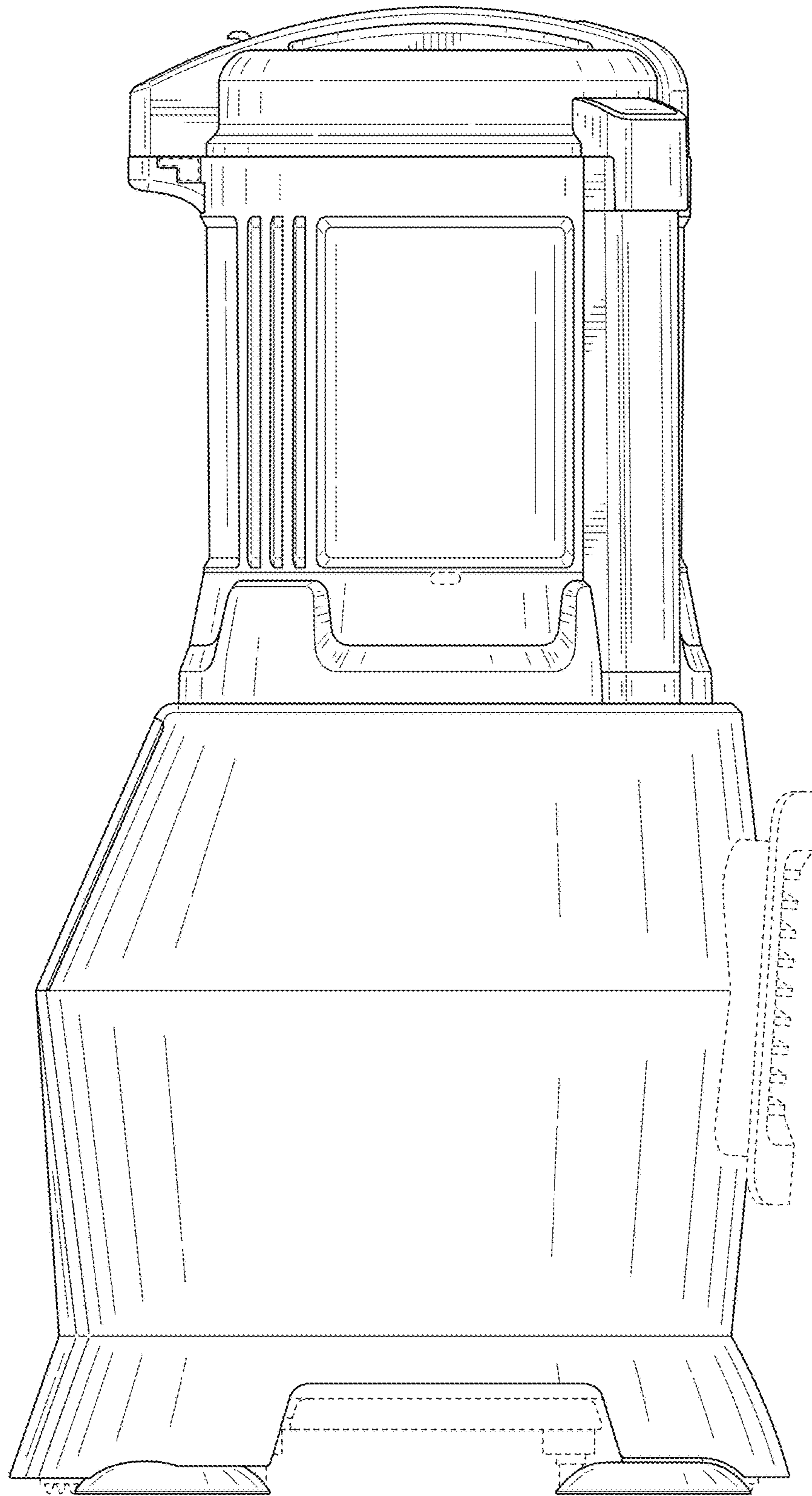


FIG. 12

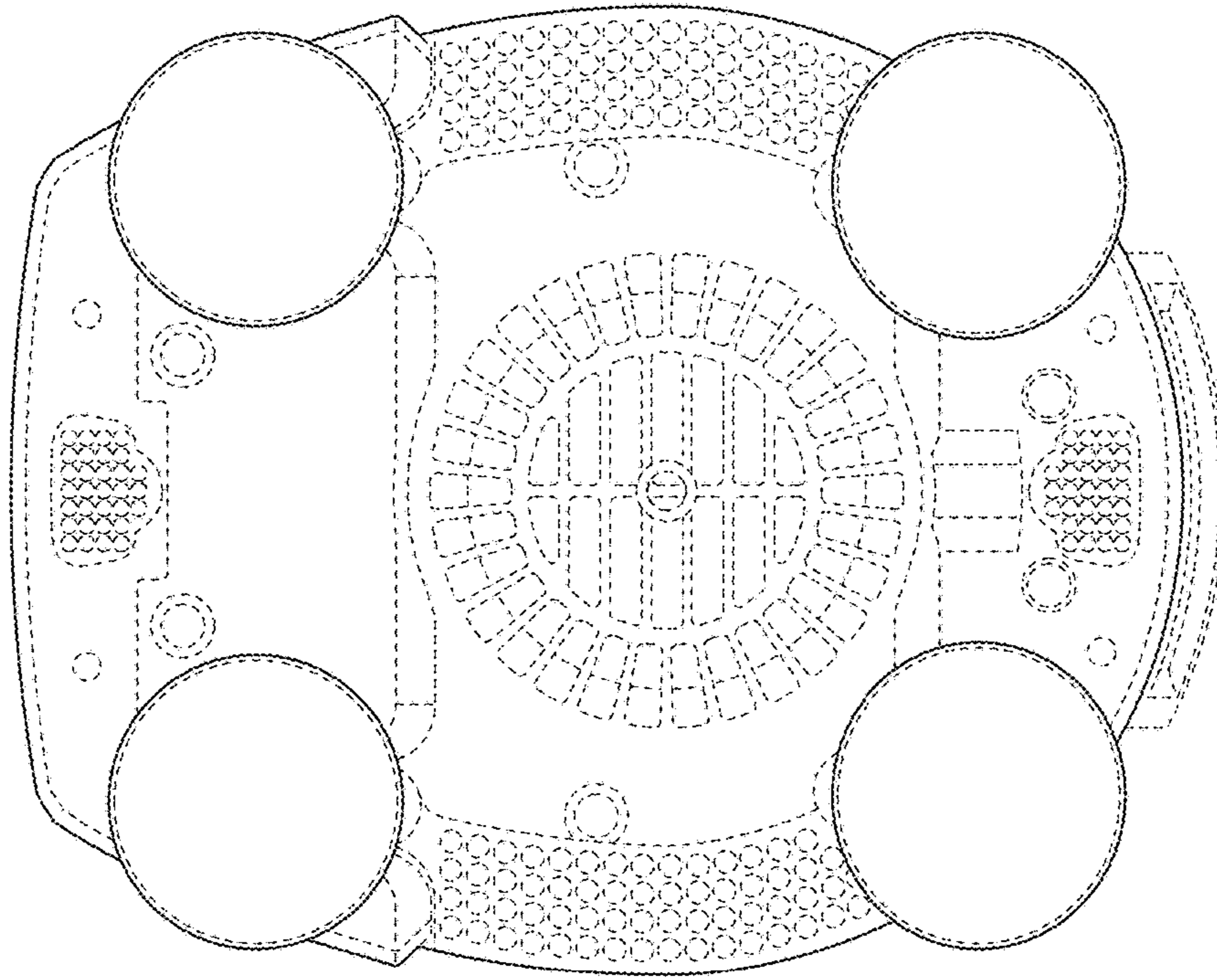


FIG. 14

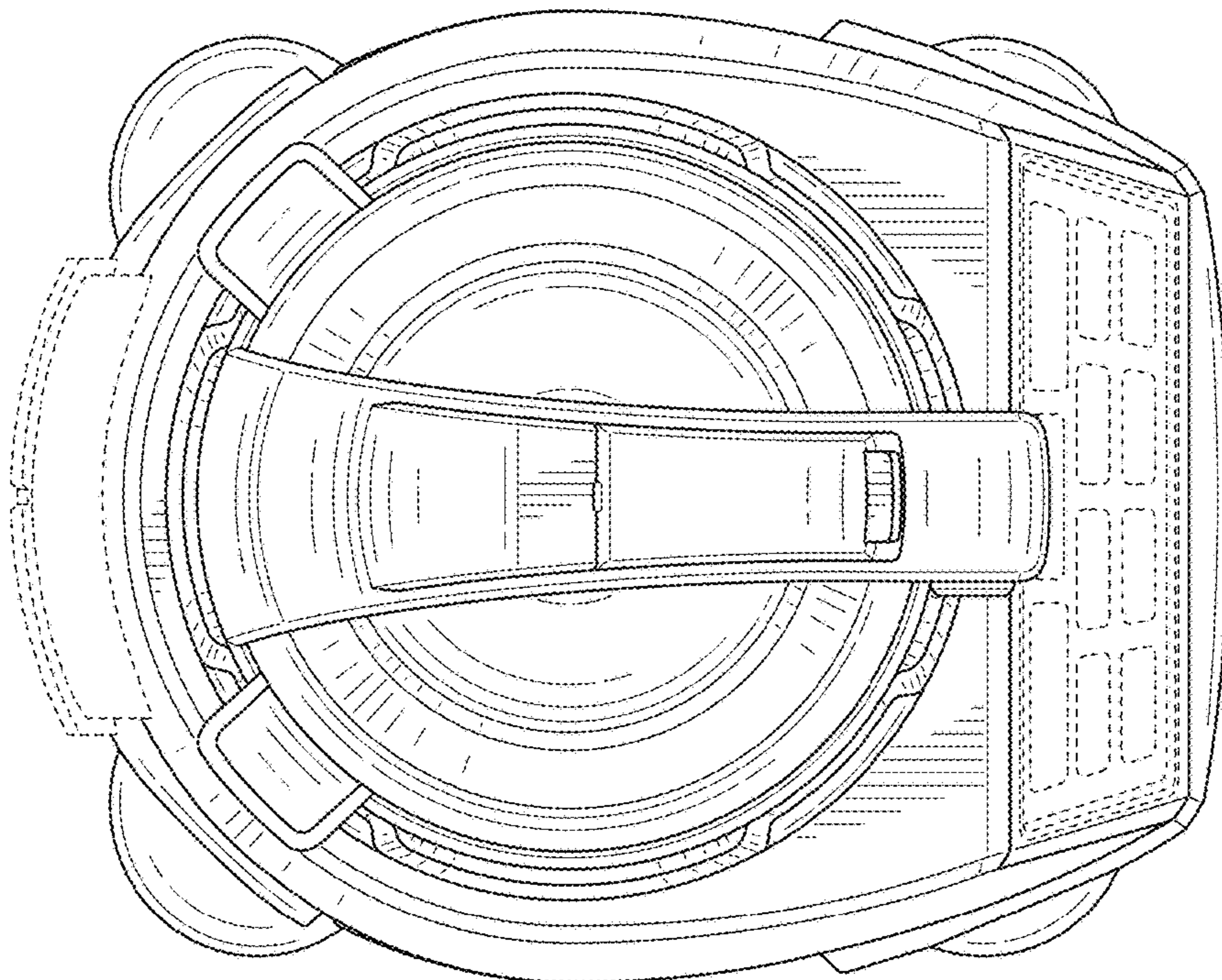


FIG. 13