

US00D861427S

(12) **United States Design Patent**  
**Irwin, Jr.**

(10) **Patent No.:** **US D861,427 S**  
(45) **Date of Patent:** **\*\* Oct. 1, 2019**

(54) **COOKING RACK FOR RIBS, CHICKEN WINGS, CHICKEN LEGS, OR THE LIKE**

(71) Applicant: **JD Irwin Enterprises, LLC**, Charlotte, NC (US)

(72) Inventor: **John Franklin Irwin, Jr.**, Charlotte, NC (US)

(73) Assignee: **JD Irwin Enterprise, LLC**, Charlotte, NC (US)

(\*\*) Term: **15 Years**

(21) Appl. No.: **29/654,587**

(22) Filed: **Jun. 26, 2018**

(51) **LOC (12) Cl.** ..... **07-02**

(52) **U.S. Cl.**  
USPC ..... **D7/409**

(58) **Field of Classification Search**  
USPC ..... D6/678.4; D7/323, 332, 335-337, D7/354-355, 359-364, 387-388, 402, D7/407-409, 601; D32/55  
(Continued)

(56) **References Cited**

U.S. PATENT DOCUMENTS

D237,849 S \* 12/1975 Hale ..... D6/678.3  
D308,317 S \* 6/1990 Koziol ..... D7/409  
(Continued)

*Primary Examiner* — Ricky Pham

(74) *Attorney, Agent, or Firm* — Additon, Higgins & Pendleton, P.A.

(57) **CLAIM**

The ornamental design for a cooking rack for ribs, chicken wings, chicken legs, or the like, as shown and described.

**DESCRIPTION**

FIG. 1 is a top perspective view of a cooking rack for ribs, chicken wings, chicken legs, or the like showing my new

design, wherein the cooking rack for ribs, chicken wings, chicken legs, or the like is in a first orientation in which the cooking rack for ribs, chicken wings, chicken legs, or the like may be used to support meat, such as slabs of ribs, during grilling;

FIG. 2 is a top plan view of the cooking rack for ribs, chicken wings, chicken legs, or the like in the first orientation;

FIG. 3 is a bottom plan view of the cooking rack for ribs, chicken wings, chicken legs, or the like in the first orientation;

FIG. 4 is a right elevation view of the cooking rack for ribs, chicken wings, chicken legs, or the like in the first orientation;

FIG. 5 is a left elevation view of the cooking rack for ribs, chicken wings, chicken legs, or the like in the first orientation;

FIG. 6 is a front elevation view of the cooking rack for ribs, chicken wings, chicken legs, or the like in the first orientation;

FIG. 7 is a rear elevation view of the cooking rack for ribs, chicken wings, chicken legs, or the like in the first orientation;

FIG. 8 is a top perspective view of the cooking rack for ribs, chicken wings, chicken legs, or the like in a second orientation in which the cooking rack for ribs, chicken wings, chicken legs, or the like may be used to support meat, such as chicken wings and/or chicken legs, during grilling;

FIG. 9 is a top plan view of the cooking rack for ribs, chicken wings, chicken legs, or the like in the second orientation;

FIG. 10 is a bottom plan view of the cooking rack for ribs, chicken wings, chicken legs, or the like in the second orientation;

FIG. 11 is a right elevation view of the cooking rack for ribs, chicken wings, chicken legs, or the like in the second orientation;

FIG. 12 is a left elevation view of the cooking rack for ribs, chicken wings, chicken legs, or the like in the second orientation;

FIG. 13 is a front elevation view of the cooking rack for ribs, chicken wings, chicken legs, or the like in the second orientation; and,

(Continued)

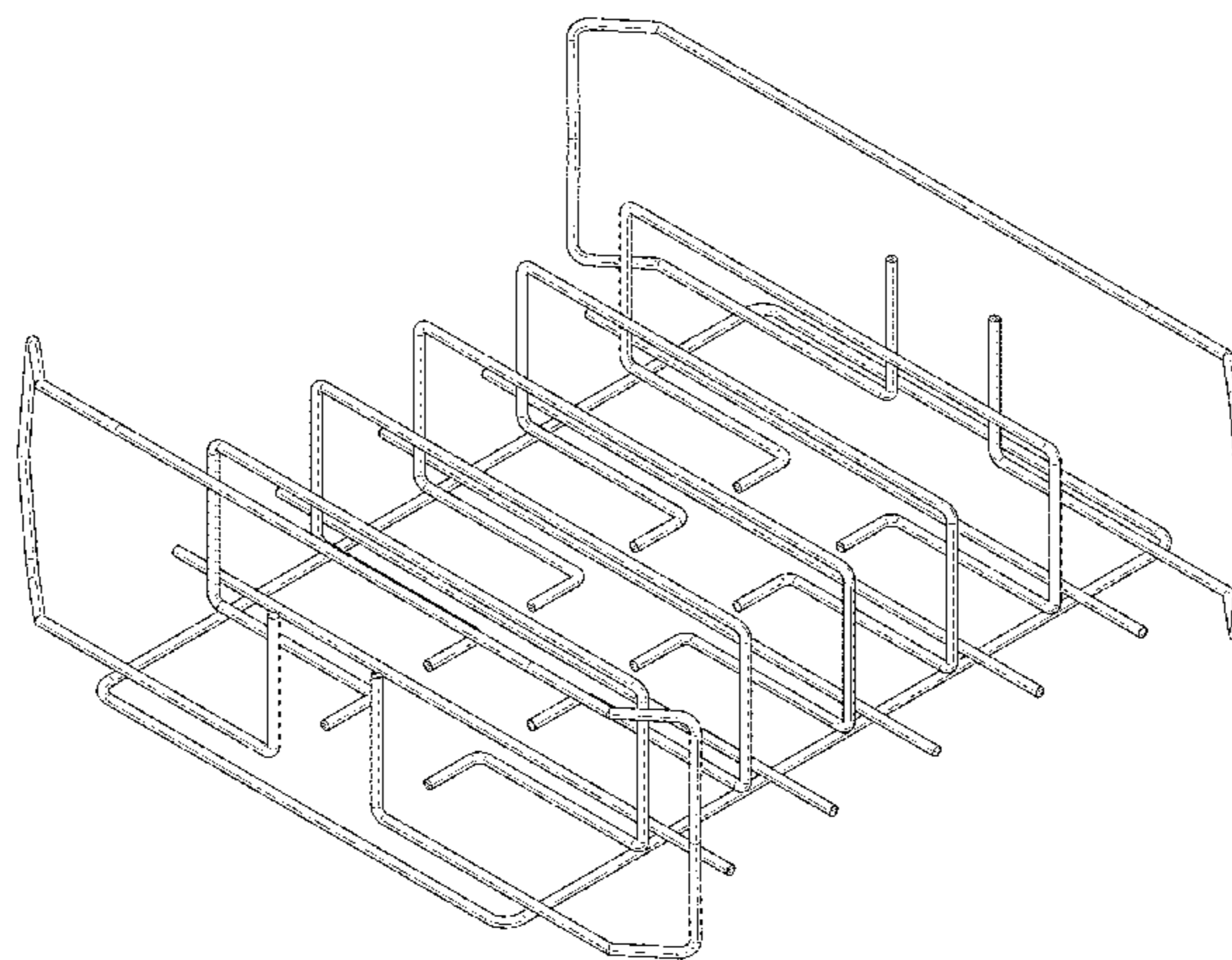


FIG. 14 is a rear elevation view of the cooking rack for ribs, chicken wings, chicken legs, or the like in the second orientation.

The use of the term “and/or” includes any and all combinations of one or more of the associated listed items.

**1 Claim, 10 Drawing Sheets**

(58) **Field of Classification Search**

CPC .... A21B 2/00; A21B 3/00; A21B 3/13; A21B 3/15; A21B 5/00; A21B 5/02; A23N 12/06; A23N 12/08; A23N 12/10; A47F 1/121; A47J 37/00; A47J 37/04; A47J 37/041; A47J 37/042; A47J 37/06; A47J 37/0688; A47J 37/0694; A47J 37/07; A47J 37/0704; A47J 37/10; A47J 43/18; A47J 47/20; A47J 2037/00; A47J 2037/06; A47J 2037/0611; A47J 2037/07; A47J 2037/0786; A47J 2037/0795; B42F 7/10; F24C 15/10; F24C 15/12; F24C 15/14; F24C 15/16; F24C 15/164; F24C 15/18

See application file for complete search history.

(56)

**References Cited**

U.S. PATENT DOCUMENTS

5,562,023	A	10/1996	Harrison	
6,273,276	B1 *	8/2001	Upton .....	A47F 1/121 211/153
6,595,120	B1 *	7/2003	Tiemann .....	A47J 37/0694 211/181.1
D538,106	S	3/2007	Julian	
D568,684	S	5/2008	Tiemann	
D599,167	S	9/2009	Tiemann	
D658,939	S	5/2012	Adams et al.	
D668,103	S *	10/2012	Cloutier .....	D7/402
D694,580	S *	12/2013	Cloutier .....	D7/402
8,627,764	B1 *	1/2014	Cloutier .....	A47J 37/0694 99/448
D699,073	S *	2/2014	Cheung .....	D7/402
D699,413	S *	2/2014	Huang .....	D32/55
D722,250	S	2/2015	Borovicka	
D741,650	S *	10/2015	Bombard .....	D7/409
D774,356	S	12/2016	Maiorana et al.	
D830,781	S *	10/2018	Kuo .....	D7/601
2005/0011371	A1 *	1/2005	Siegel .....	A47J 43/18 99/426
2015/0076086	A1 *	3/2015	Tsai .....	B42F 7/10 211/11

\* cited by examiner



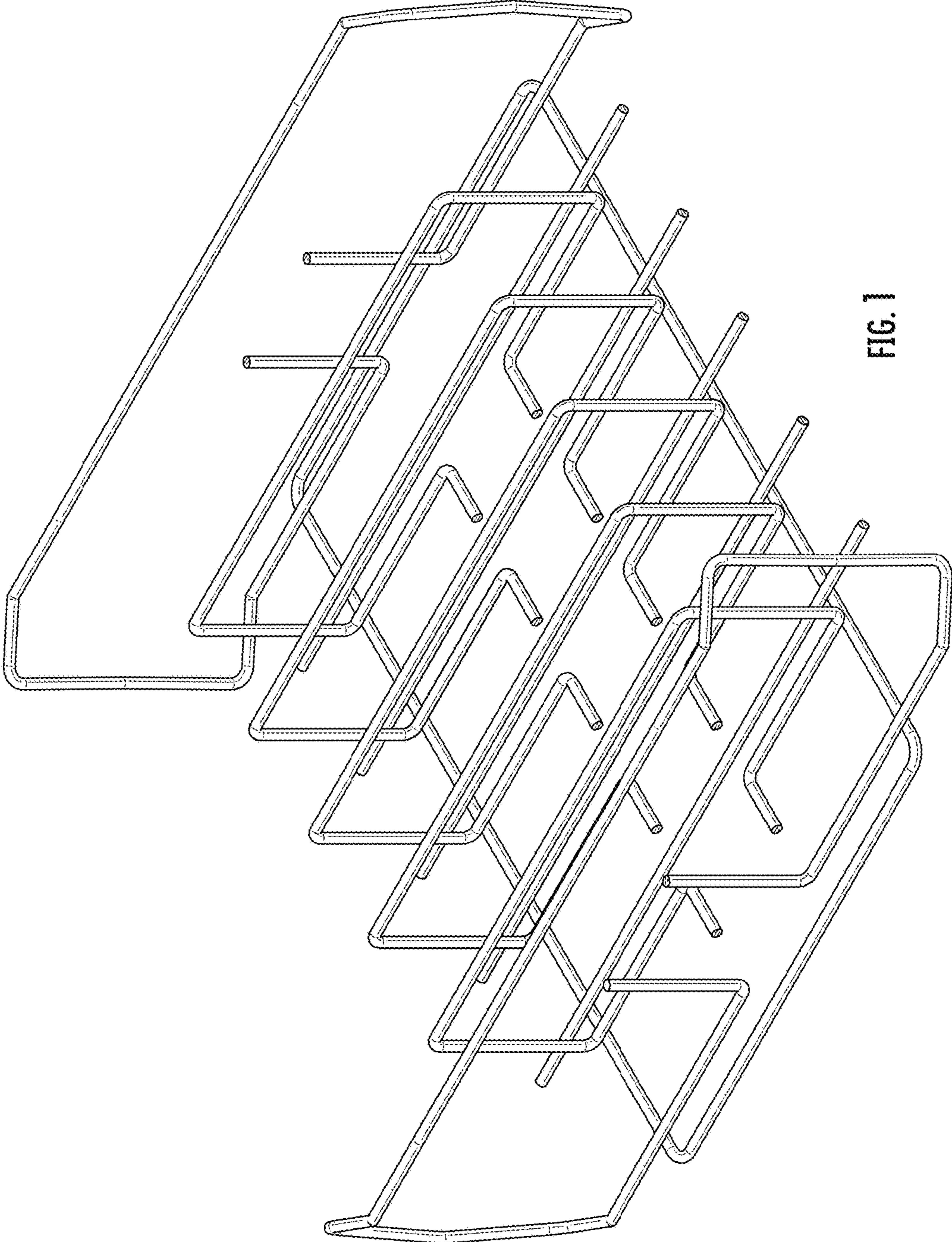


FIG. 1

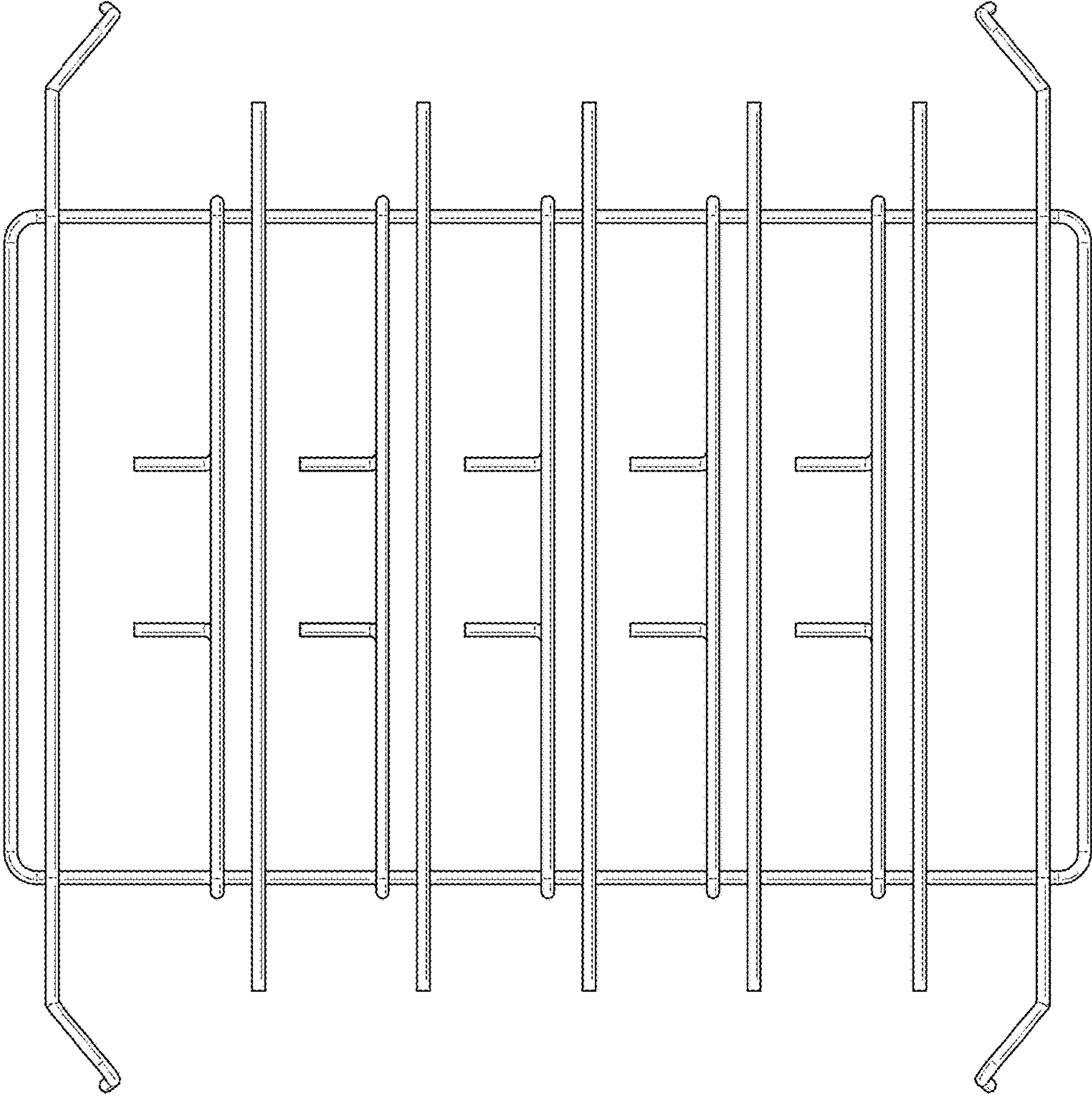


FIG. 2

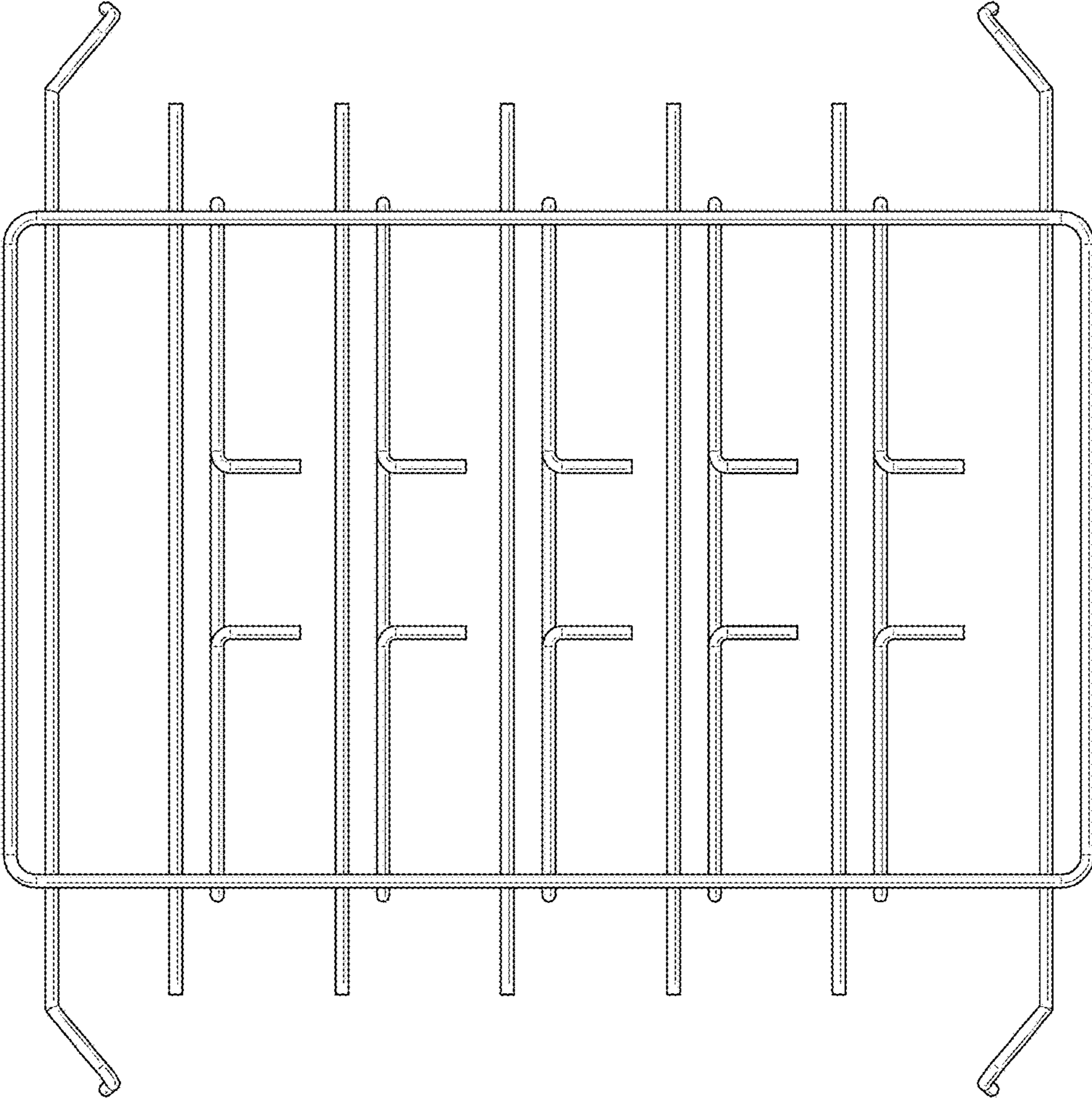


FIG. 3

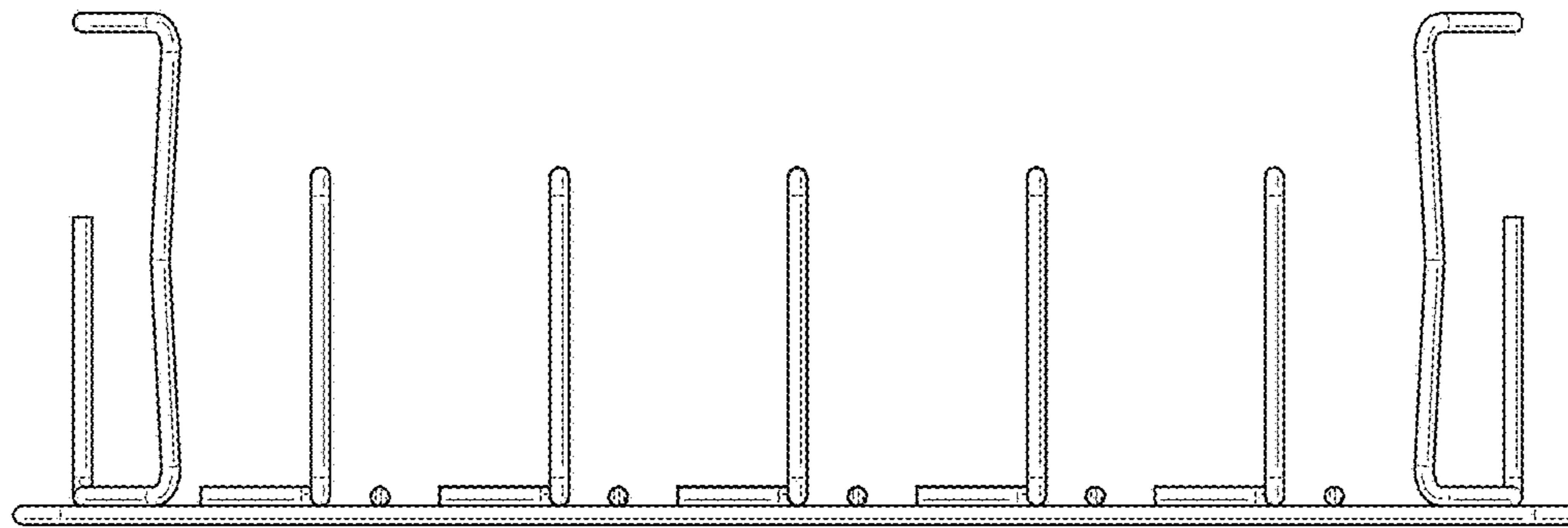


FIG. 4

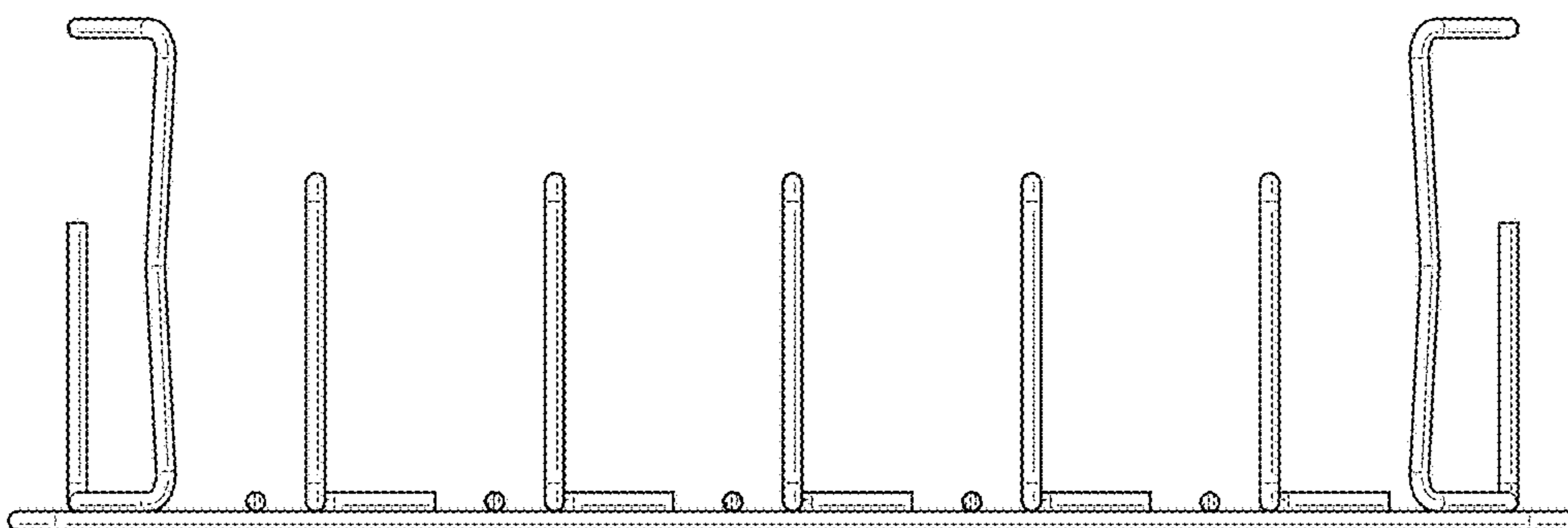


FIG. 5



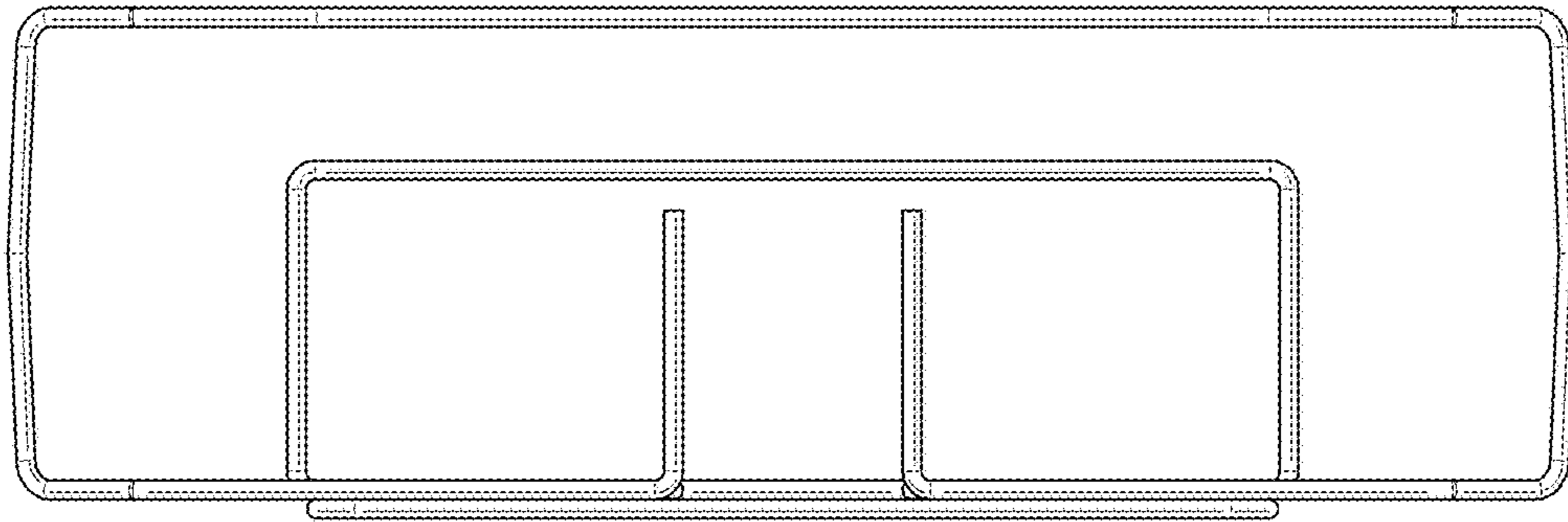


FIG. 6

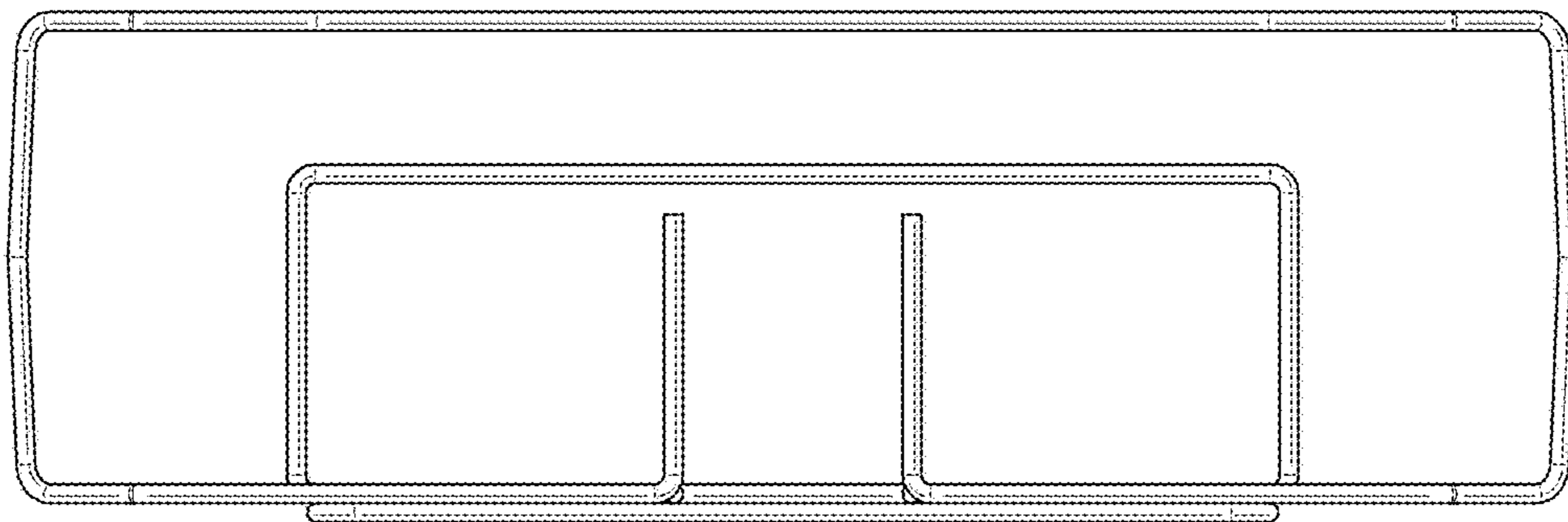


FIG. 7

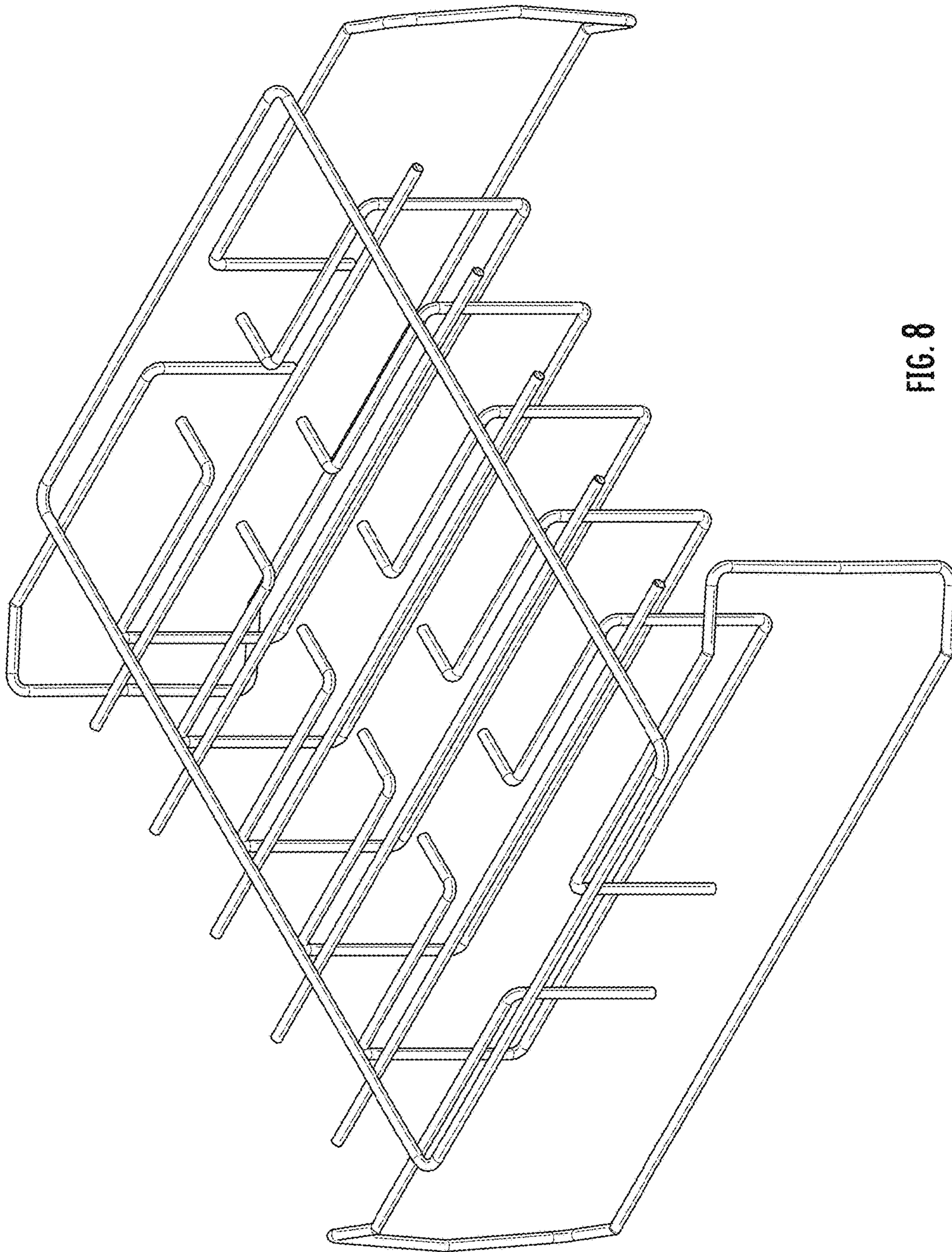


FIG. 8



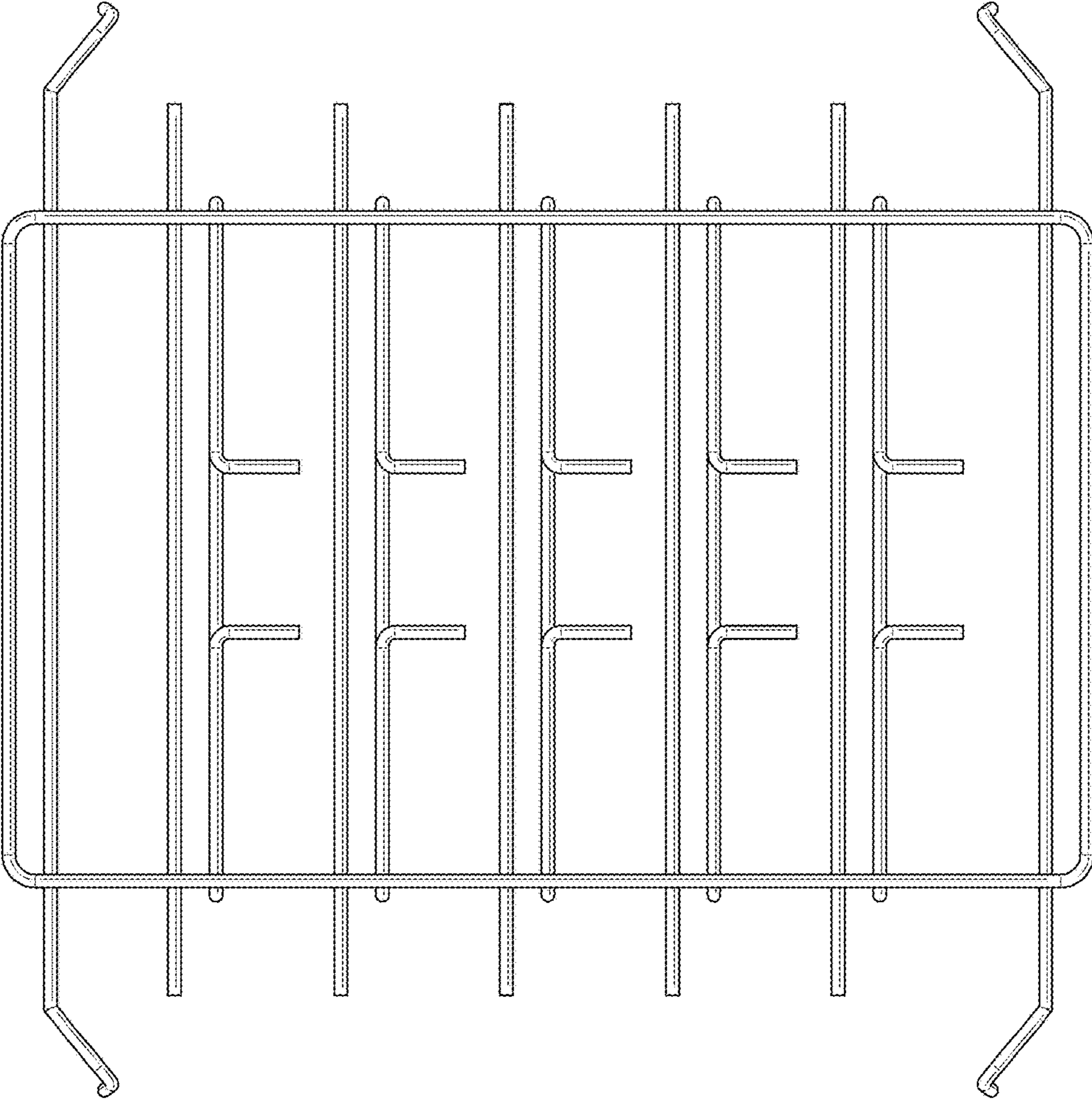


FIG. 9

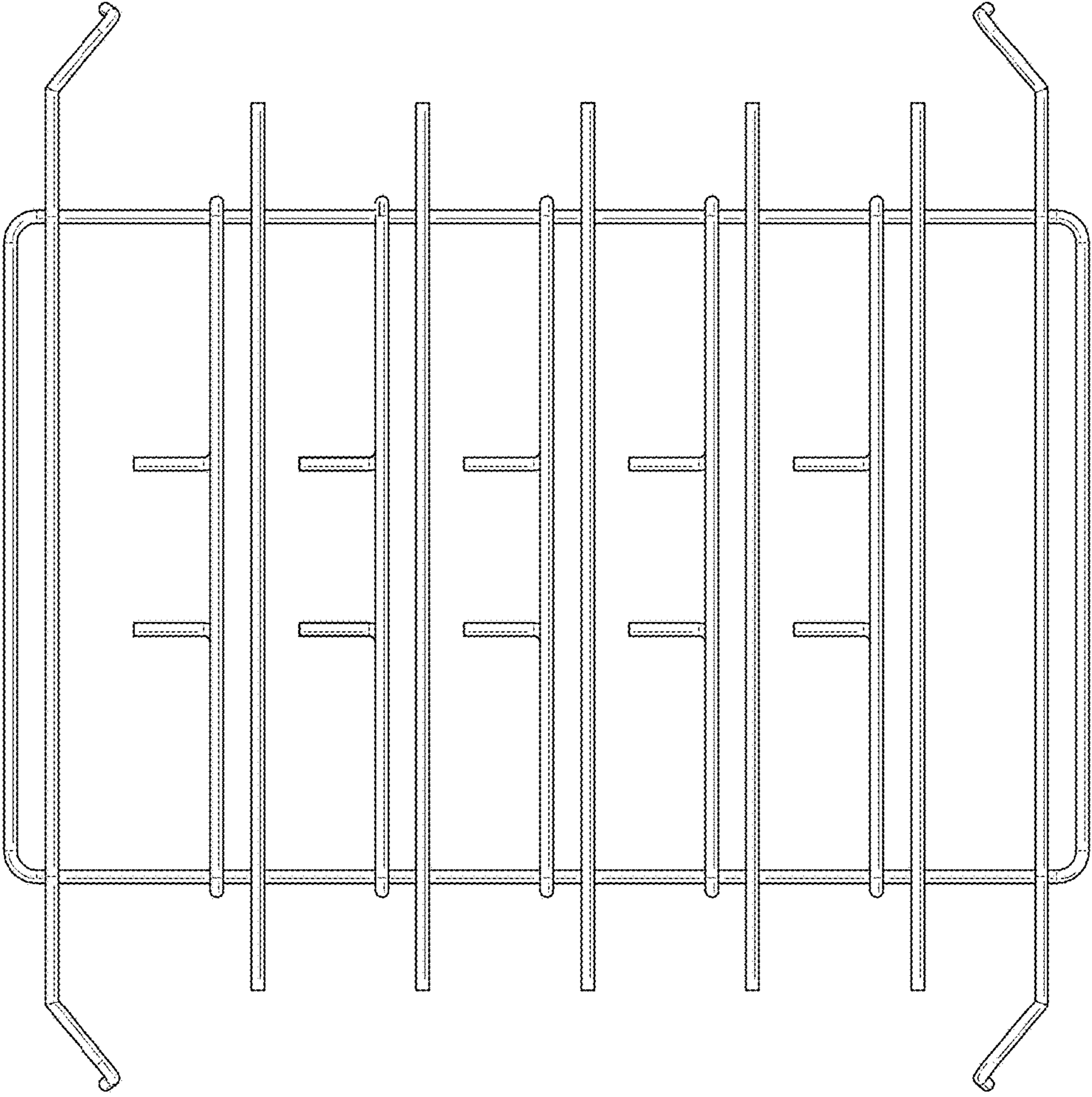


FIG. 10

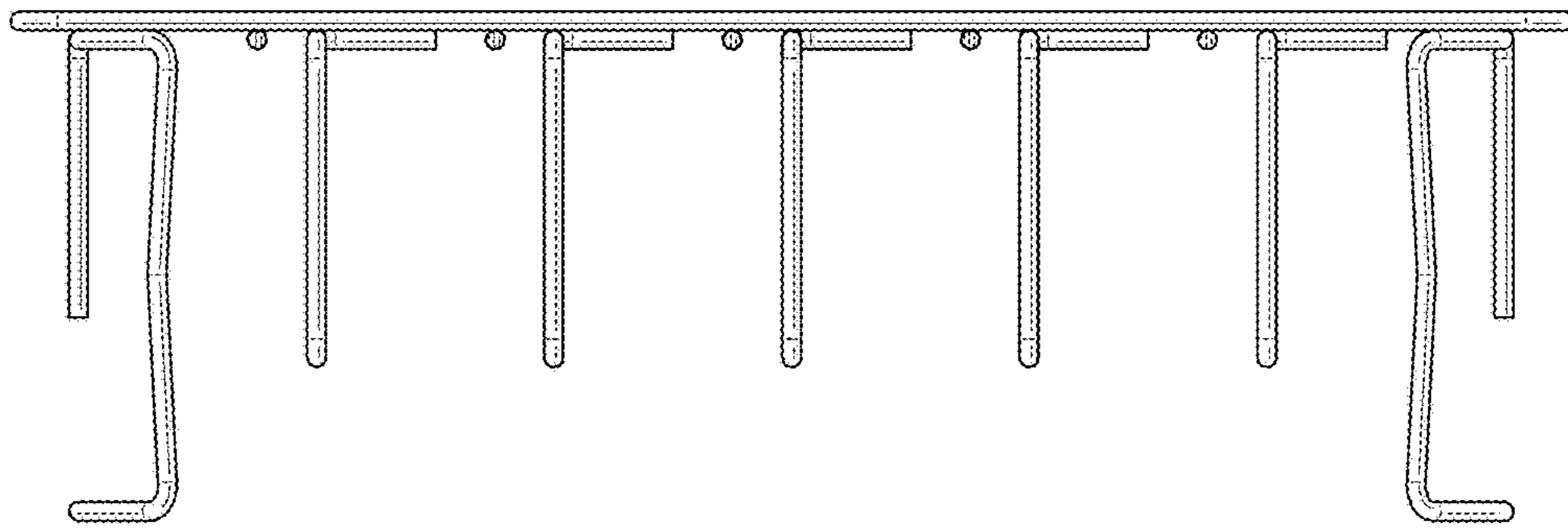


FIG. 11

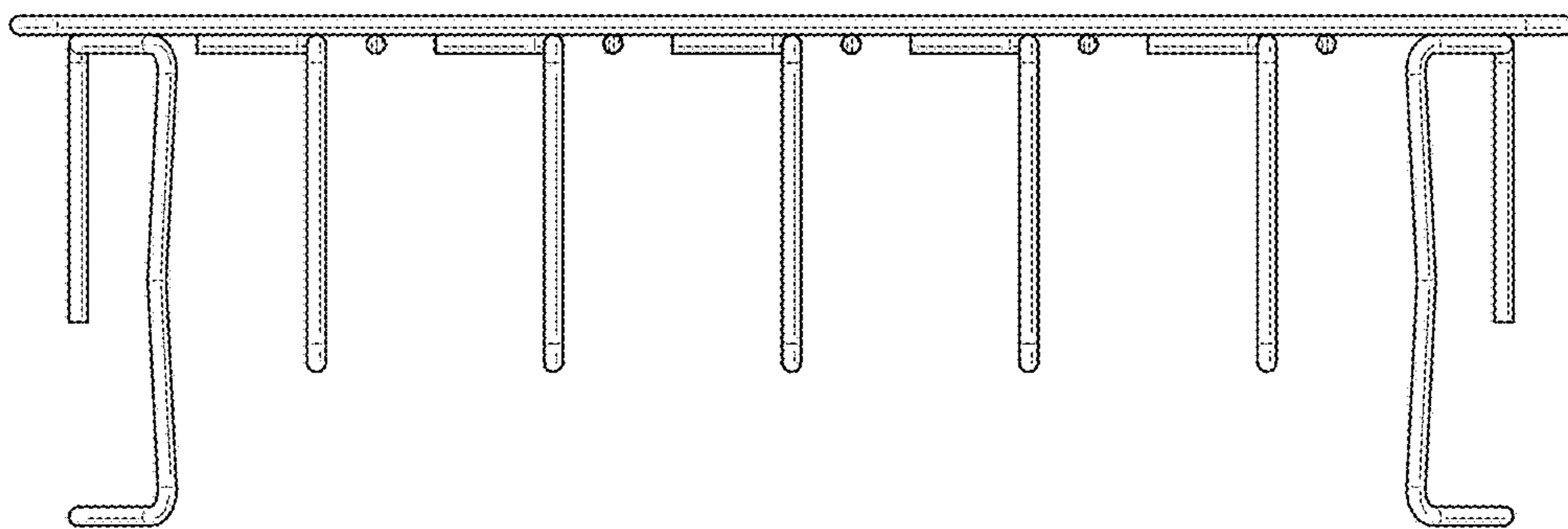


FIG. 12



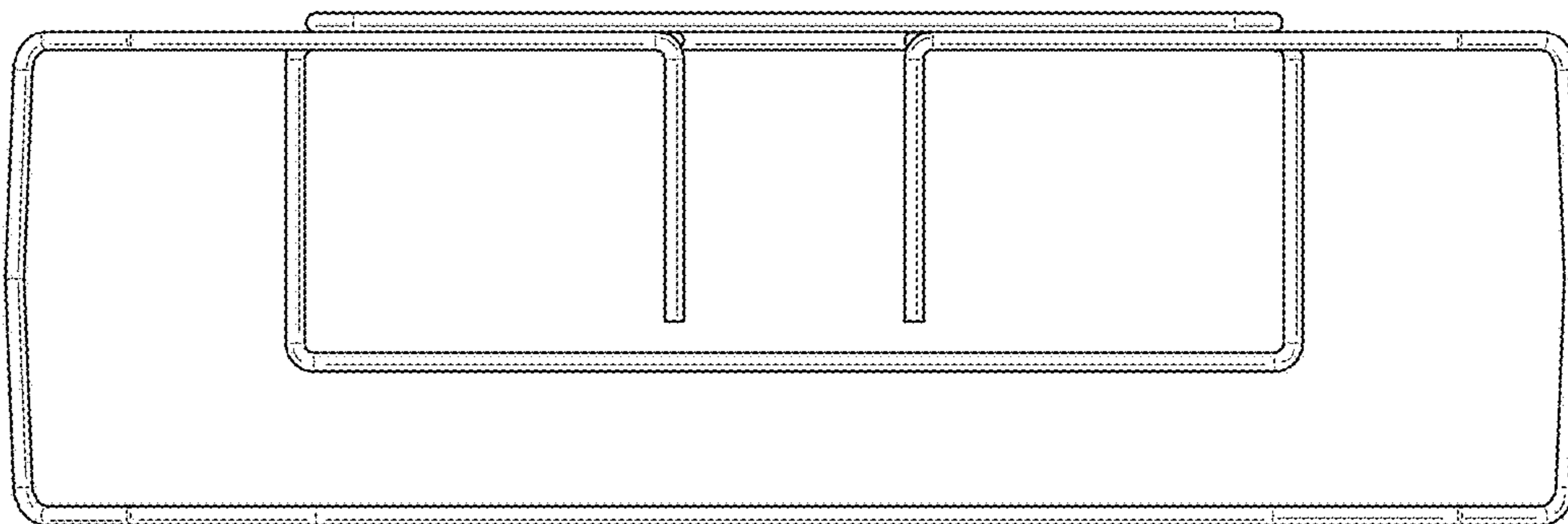


FIG. 13

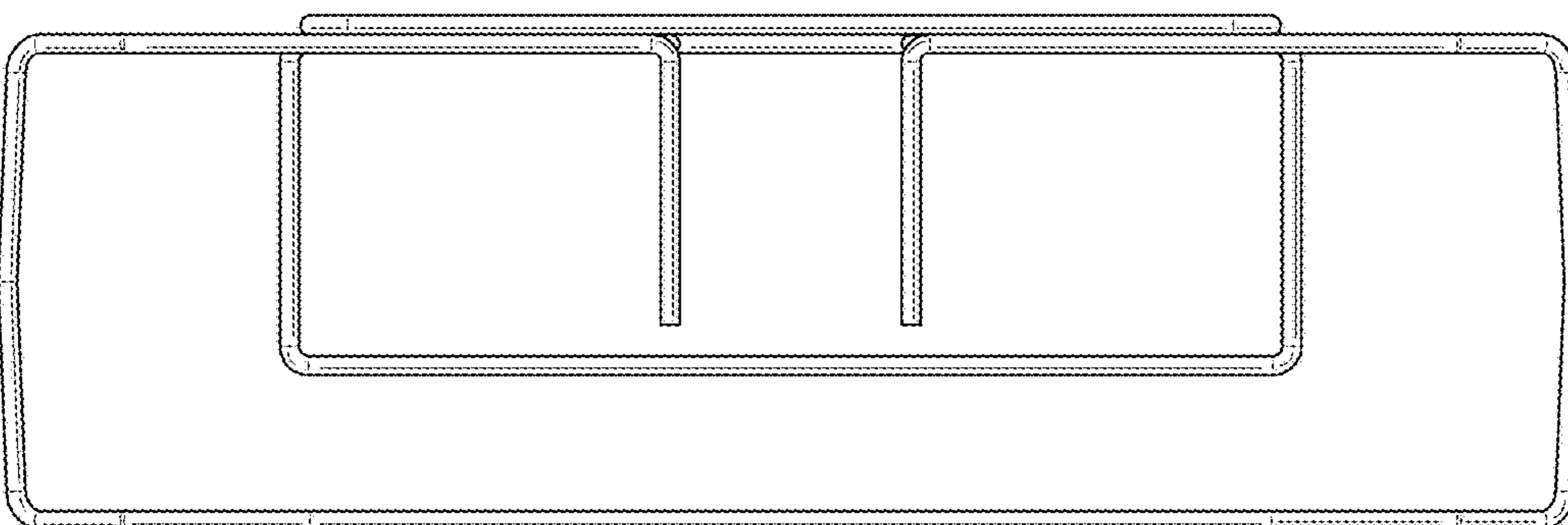


FIG. 14