



US00D861425S

(12) **United States Design Patent** (10) **Patent No.:** **US D861,425 S**
McConnell et al. (45) **Date of Patent:** **** Oct. 1, 2019**

(54) **FOOD PROCESSING ATTACHMENT**

(71) Applicant: **WHIRLPOOL CORPORATION**,
Benton Harbor, MI (US)

(72) Inventors: **John W. McConnell**, St. Joseph, MI
(US); **Wenkai Wu**, Aurora, IL (US)

(73) Assignee: **Whirlpool Corporation**, Benton
Harbor, MI (US)

(**) Term: **15 Years**

(21) Appl. No.: **29/663,694**

(22) Filed: **Sep. 18, 2018**

Related U.S. Application Data

(63) Continuation of application No. 29/589,335, filed on
Dec. 30, 2016, now Pat. No. Des. 831,421.

(51) **LOC (12) Cl.** **31-00**

(52) **U.S. Cl.**
USPC **D7/401.2; D7/381**

(58) **Field of Classification Search**
USPC D7/372, 376–386, 401.2, 412–413, 602,
D7/629, 665–666, 669, 679, 693–694
CPC A21C 1/02; A21C 1/04; A23N 1/00; A23N
1/02; A23P 1/087; A47J 17/04; A47J
17/16; A47J 43/04; A47J 43/25; A47J
43/27; A47J 43/042; A47J 43/044; A47J
43/046; A47J 43/07; A47J 43/075; A47J
43/0716; A47J 43/0722; A47J 43/0727;
B01F 3/00; B01F 3/0807; B01F 3/0853;
B01F 13/0059; B01F 13/0064; B02C
1/08; B02C 2/04; B02C 4/42; B02C
4/142; B02C 4/143; B02C 4/423; B02C
13/1835; B26D 3/11; B26D 3/18; B26D
3/185; B28C 5/10; B28C 5/12; B28C
5/14; B28C 5/16

See application file for complete search history.

(56) **References Cited**

U.S. PATENT DOCUMENTS

256,214 A 4/1882 Heizmann
430,139 A 6/1890 Meyer
633,932 A 9/1899 Williamson
959,137 A * 5/1910 Hinchliffe A47J 17/16
83/70

1,008,555 A 11/1911 Mower
1,956,492 A * 4/1934 China A47J 17/04
99/599

1,966,186 A 7/1934 Remnsnider
(Continued)

Primary Examiner — Ricky Pham

(74) *Attorney, Agent, or Firm* — Price Heneveld LLP

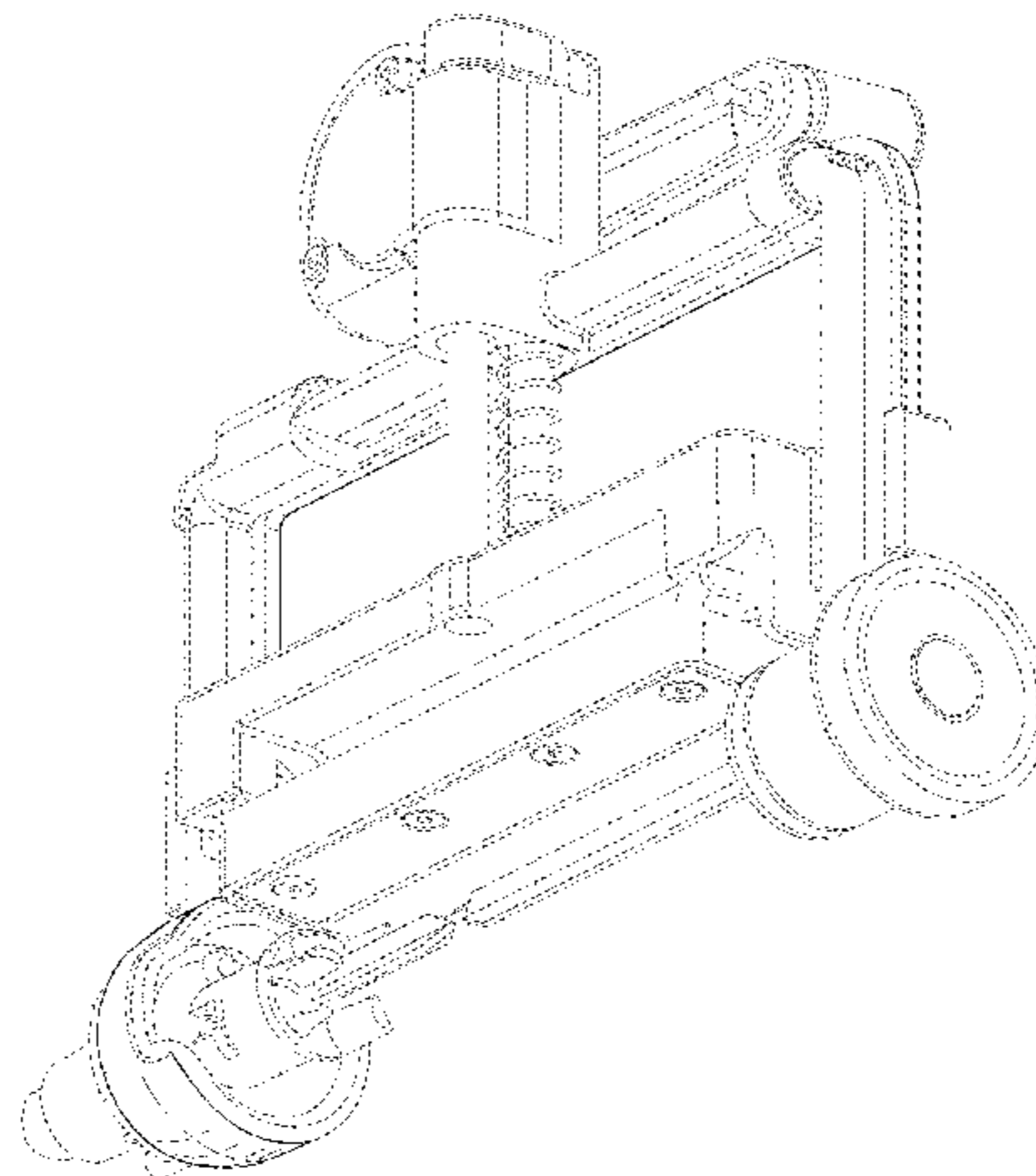
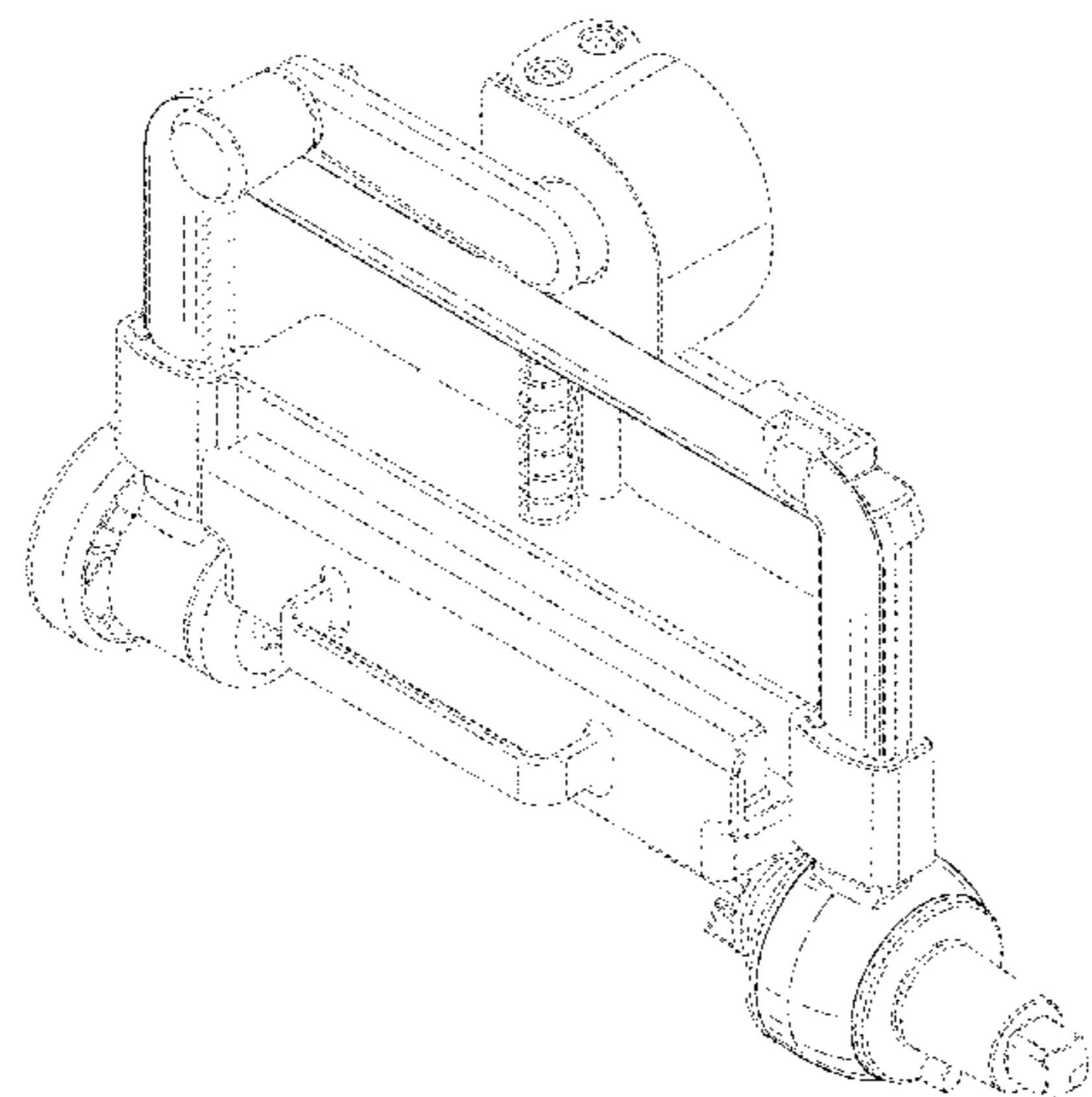
(57) **CLAIM**

We claim the ornamental design for a food processing
attachment, as shown and described.

DESCRIPTION

FIG. 1 is a top perspective view of the food processing
attachment of the present invention;
FIG. 2 is bottom perspective view of the food processing
attachment of the present invention;
FIG. 3 is a first side elevation view of the food processing
attachment of the present invention;
FIG. 4 is a second side elevation view of the food processing
attachment of the present invention;
FIG. 5 is a third side elevation view of the food processing
attachment of the present invention;
FIG. 6 is a fourth side elevation view of the food processing
attachment of the present invention;
FIG. 7 is a top plan view of the food processing attachment
of the present invention; and,
FIG. 8 is a bottom plan view of the food processing
attachment of the present invention.
The broken lines in the figures are for contextual purposes
or show the environment and form no part of the claimed
design.

1 Claim, 7 Drawing Sheets



(56)

References Cited

U.S. PATENT DOCUMENTS

2,056,843	A *	10/1936	Erro	A47J 17/04 99/595
2,307,829	A	1/1943	Ellis	
2,361,241	A	10/1944	Rogers	
2,410,683	A	11/1946	Marquez	
2,464,993	A	3/1949	Ross	
2,508,868	A	5/1950	Ross	
2,566,568	A	9/1951	Ives	
2,693,210	A	11/1954	Gustafson	
3,881,406	A	5/1975	Perez	
3,952,621	A	4/1976	Chambos	
4,038,915	A	8/1977	Saito	
4,579,028	A *	4/1986	Neidhardt	B26D 3/18 83/109
5,557,998	A	9/1996	Schwartz et al.	
5,690,022	A	11/1997	Chai	
5,950,528	A *	9/1999	Wang	A47J 17/16 99/542
D414,983	S	10/1999	Wong	
6,053,098	A	4/2000	Yamamoto	
6,314,849	B1	11/2001	Arrasmith	
6,523,464	B1	2/2003	Widelo	
6,854,383	B2 *	2/2005	Wang	A47J 17/16 99/542
7,032,491	B2	4/2006	Fischer	
D669,324	S	10/2012	Bodum	
8,596,176	B1 *	12/2013	Wagner	B26D 3/185 83/356.3
D773,894	S	12/2016	Benoit et al.	
D793,181	S *	8/2017	Wong	D7/693
9,731,428	B2 *	8/2017	Levine	B26D 3/11
D797,495	S *	9/2017	McConnell	D7/376
10,021,904	B1 *	7/2018	Fikes	A23P 1/087
D831,421	S *	10/2018	McConnell	D7/401.2
D842,024	S *	3/2019	Li	D7/381

* cited by examiner

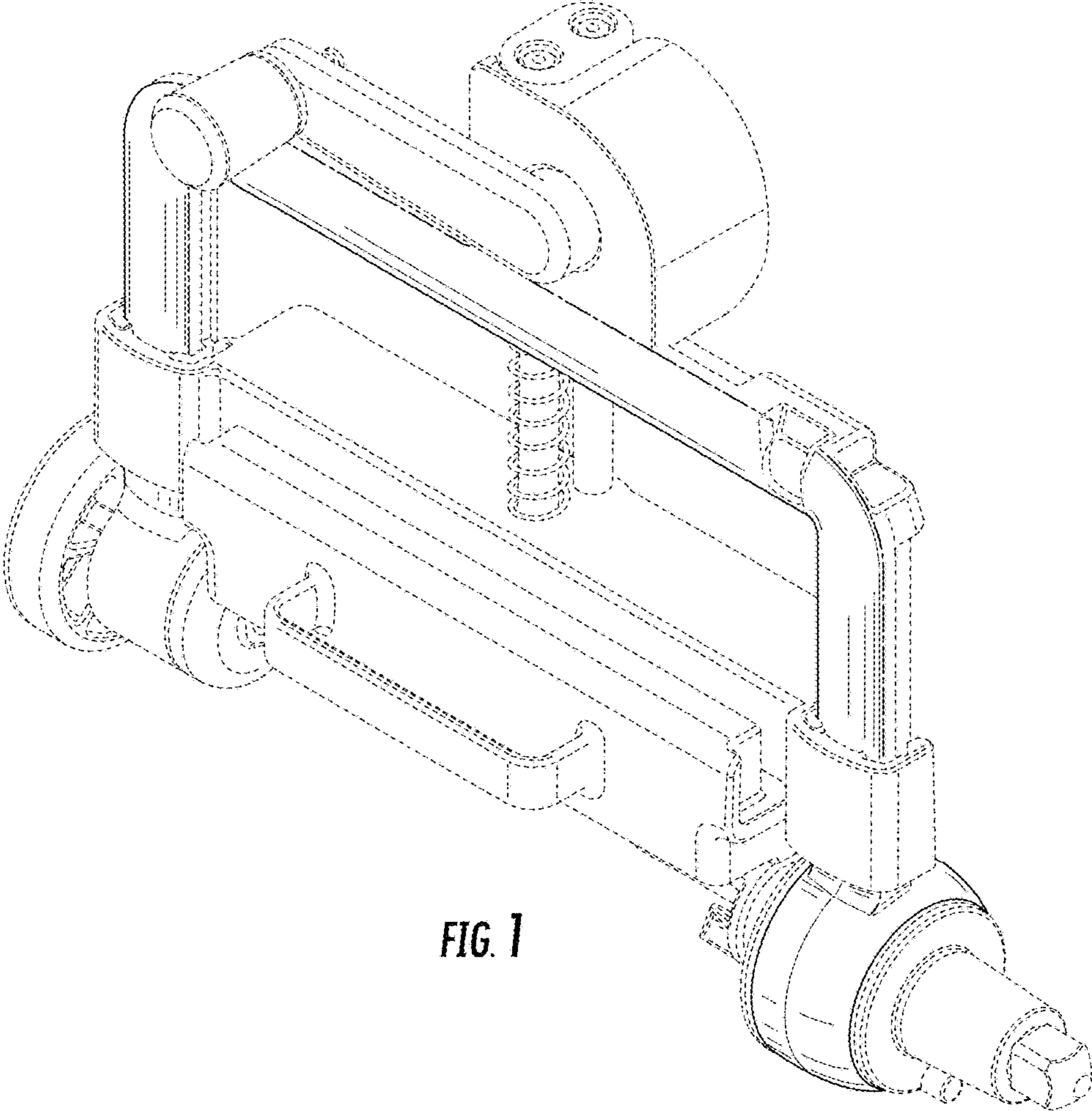
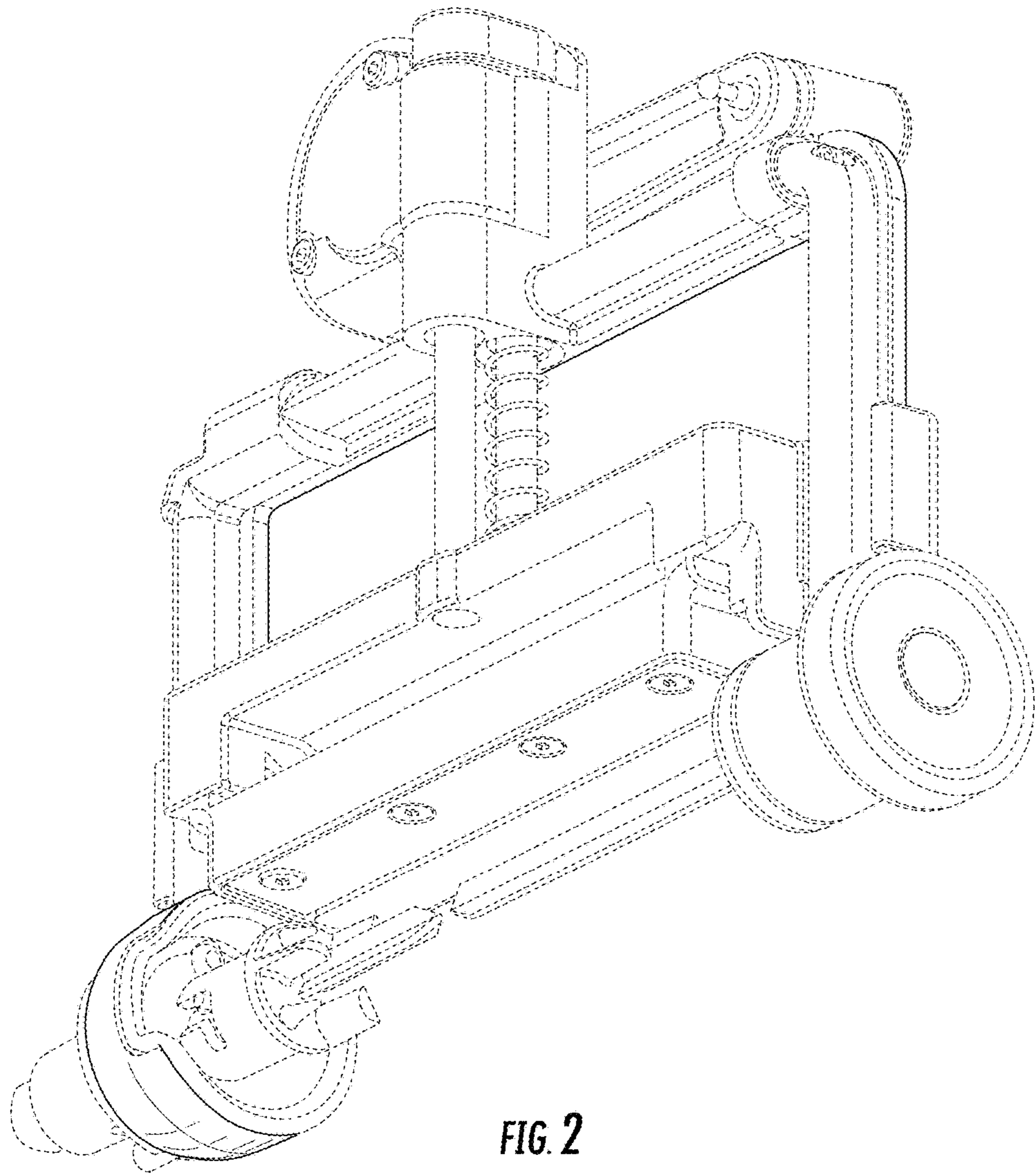


FIG. 1



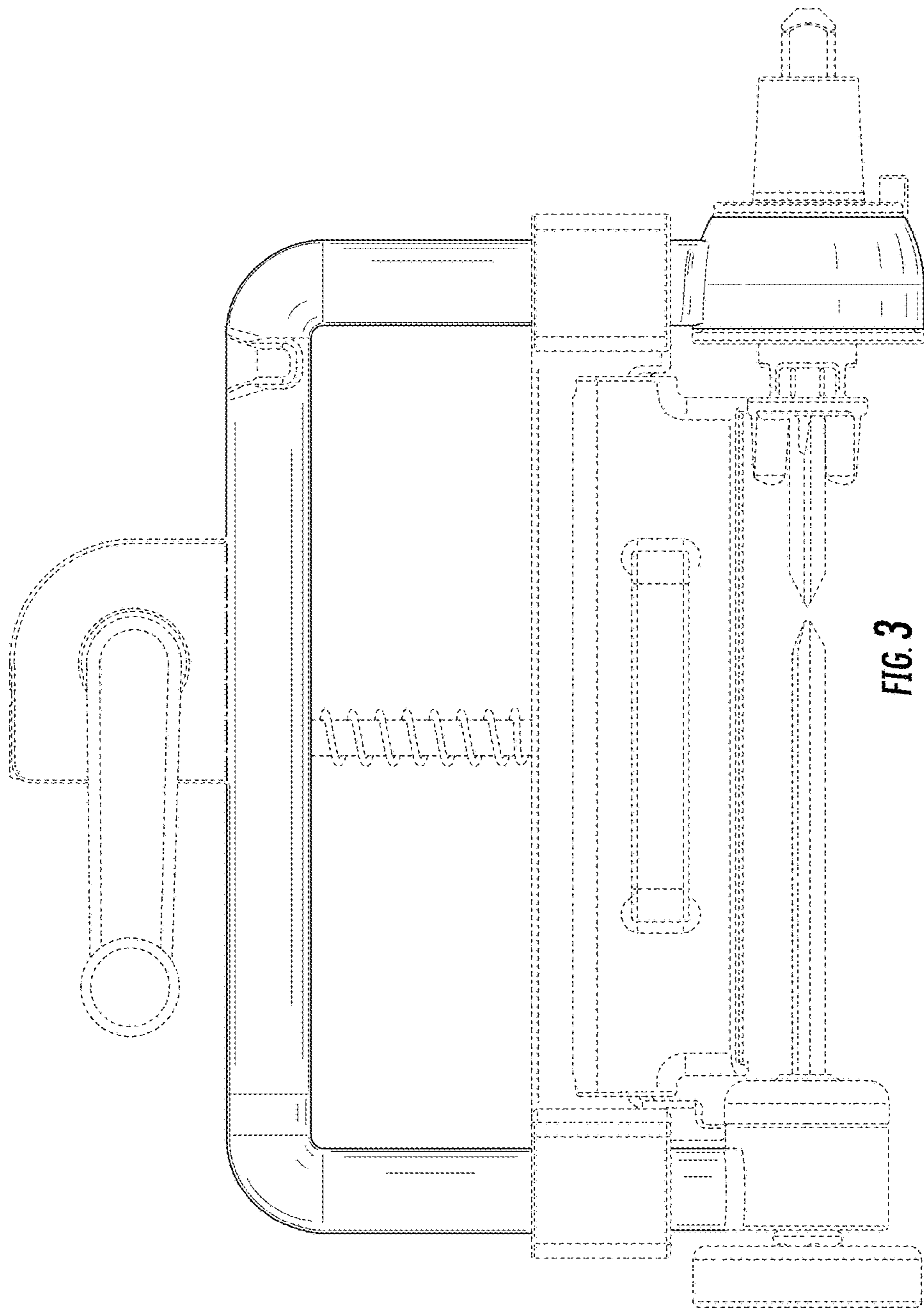


FIG. 3

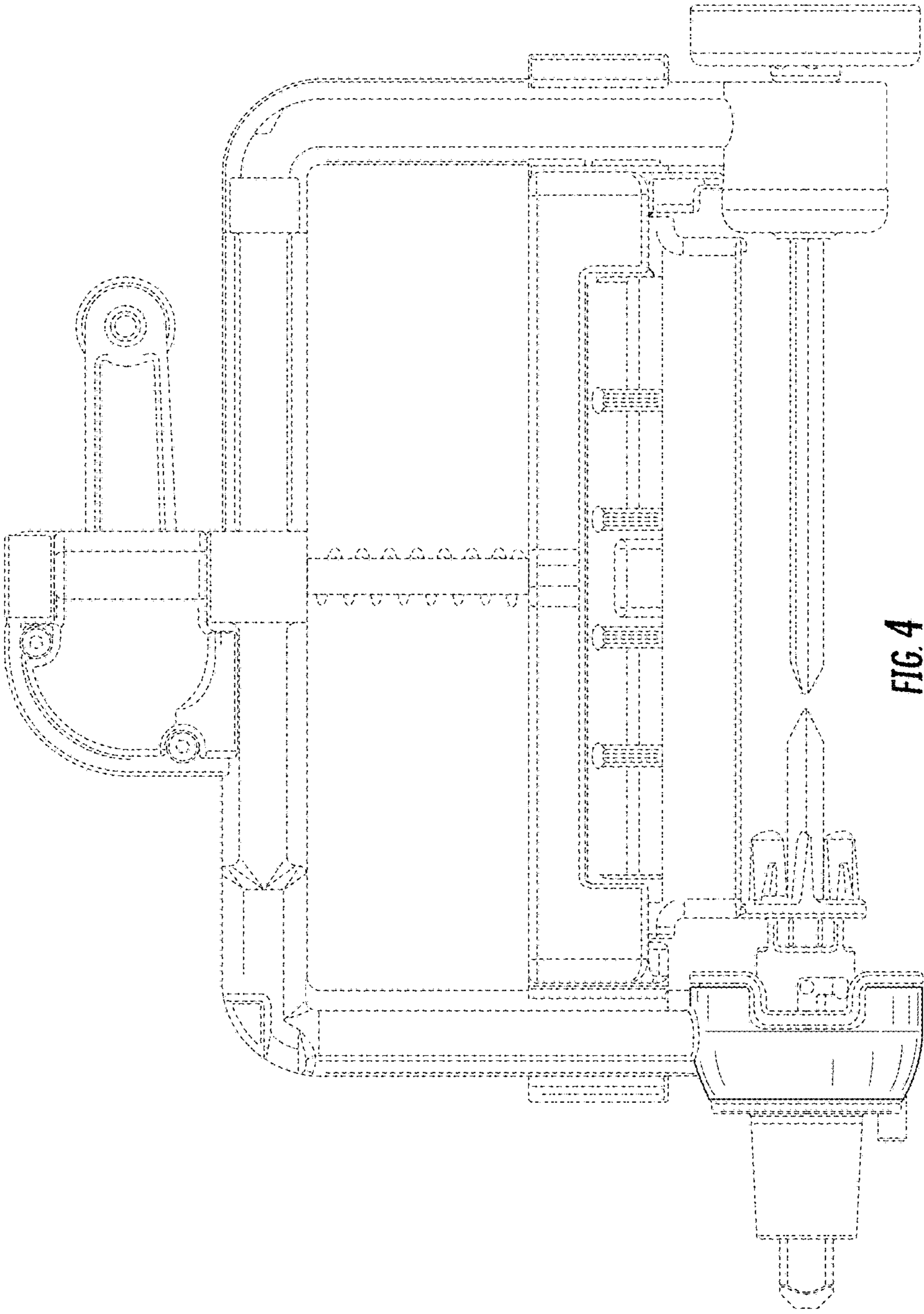


FIG. 4

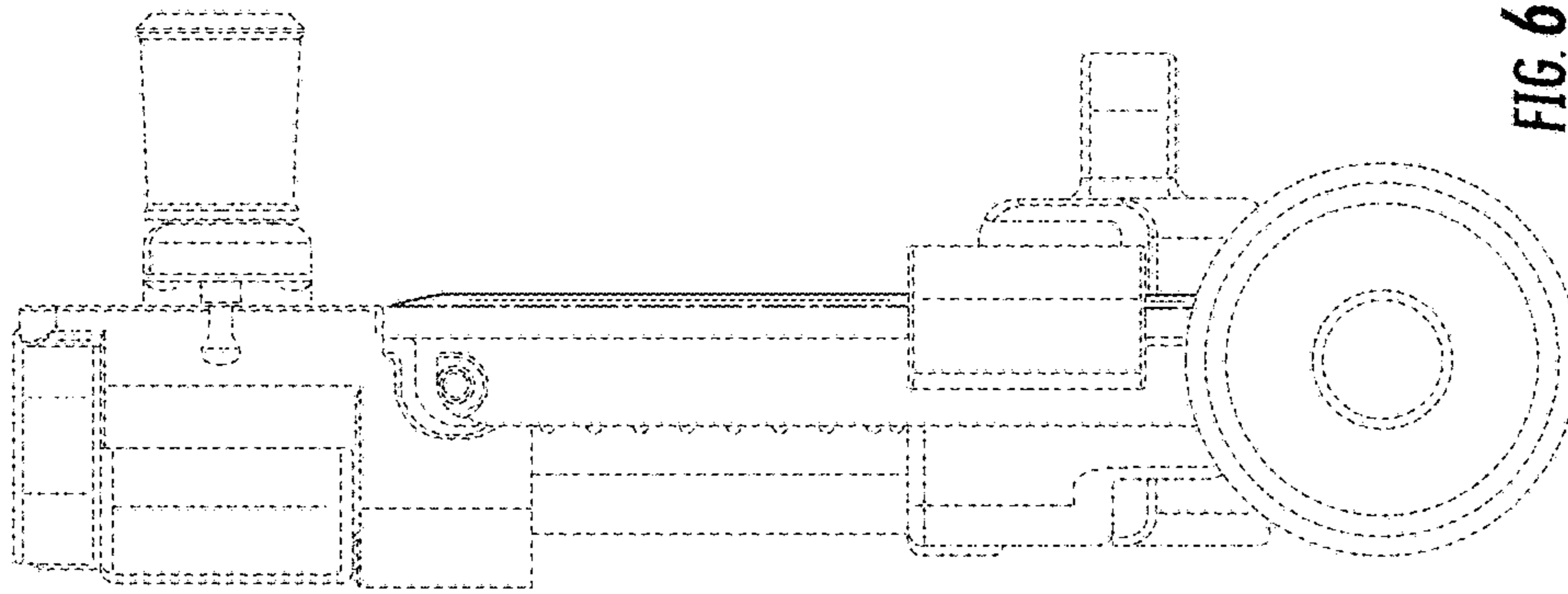


FIG. 6

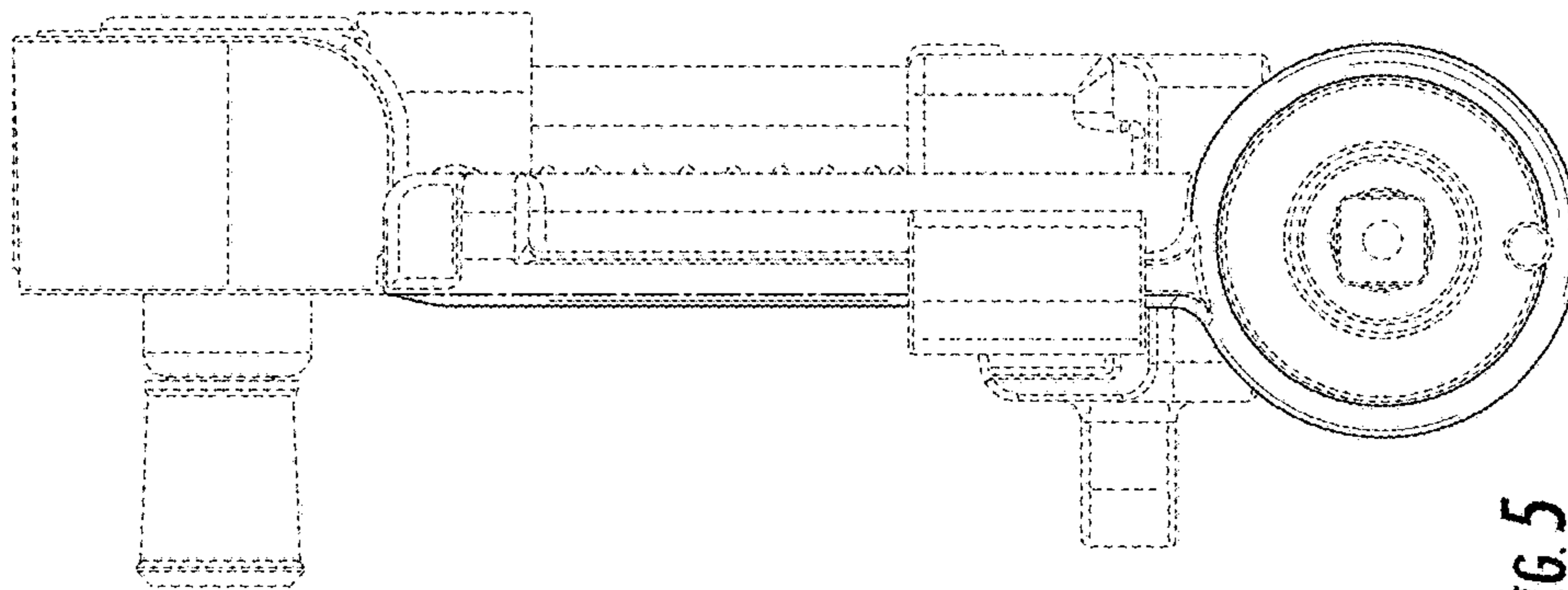


FIG. 5

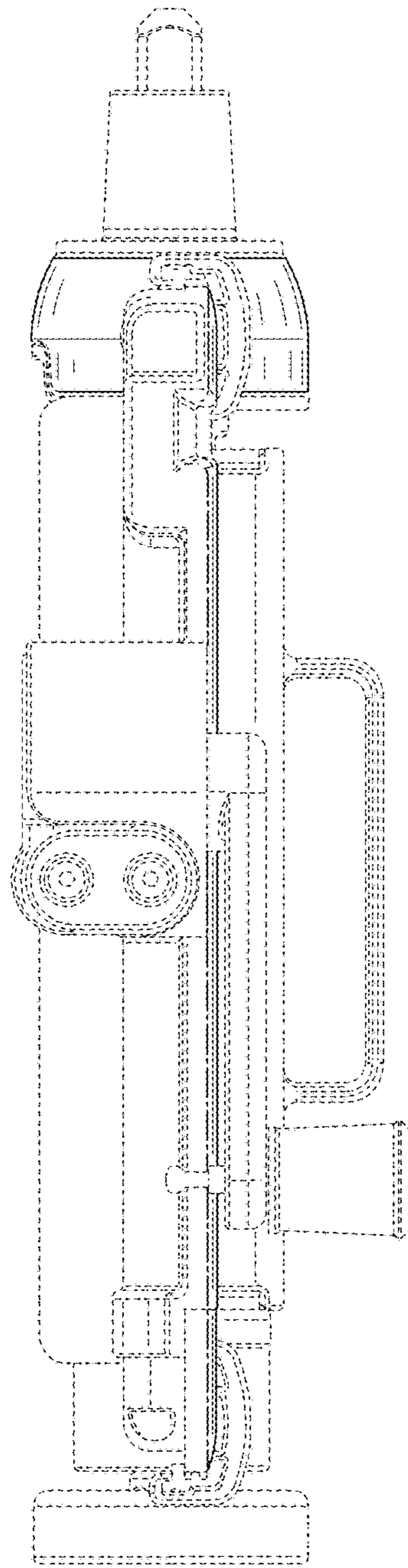


FIG. 7

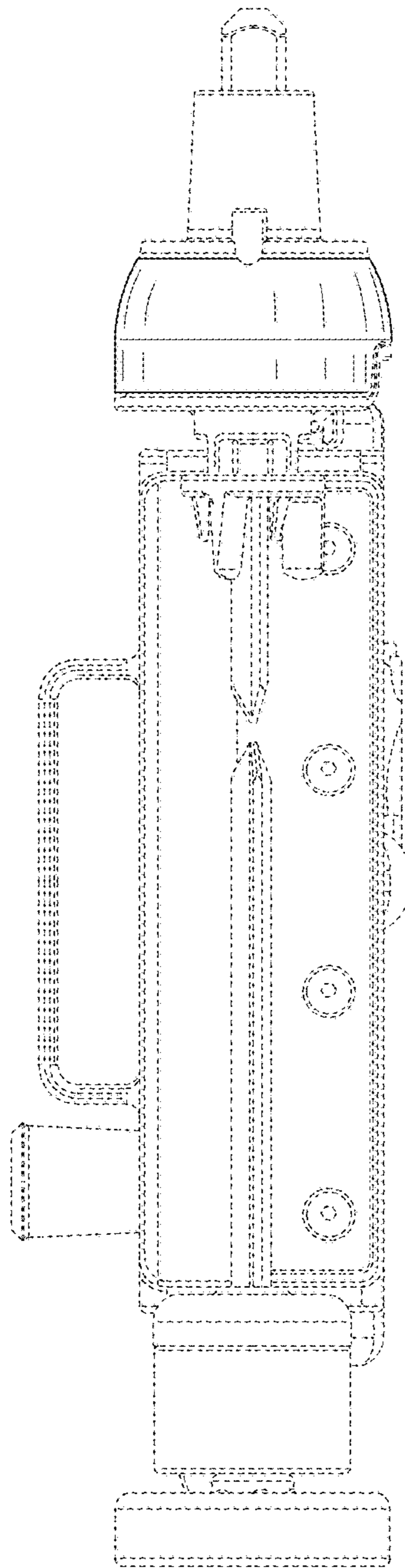


FIG. 8