



US00D861424S

(12) **United States Design Patent** (10) **Patent No.:** **US D861,424 S**
Philips (45) **Date of Patent:** **** Oct. 1, 2019**

(54) **FRENCH COFFEE PRESS**
(71) Applicant: **Nicholas Matthew Philips**, Schertz, TX (US)
(72) Inventor: **Nicholas Matthew Philips**, Schertz, TX (US)
(**) Term: **15 Years**
(21) Appl. No.: **29/655,467**
(22) Filed: **Jul. 3, 2018**
(51) **LOC (12) Cl.** **07-99**
(52) **U.S. Cl.**
USPC **D7/399**
(58) **Field of Classification Search**
USPC D7/300, 312, 316-322, 598, 600, 667, D7/669; D9/434, 435, 548, 549, 559
CPC .. A47J 31/14; A47J 31/18; A47J 31/24; A47J 31/38; A47J 31/50
See application file for complete search history.

D718,566 S * 12/2014 Lu D7/317
D755,018 S * 5/2016 Liotta D7/317
D758,136 S * 6/2016 Liotta D7/317
9,392,900 B2 * 7/2016 McLean A47J 31/20
D795,630 S * 8/2017 McLean D7/317
D796,244 S * 9/2017 McLean D7/317
D799,257 S * 10/2017 Melzer D7/317
D802,977 S * 11/2017 Bodum D7/317
D814,866 S * 4/2018 Rocheford D7/511
D833,196 S * 11/2018 Mutch D7/318

* cited by examiner

Primary Examiner — Derrick E Holland
Assistant Examiner — Andrew Kerr
(74) *Attorney, Agent, or Firm* — Dunlap Bennett & Ludwig PLLC; Brendan E. Squire

(57) **CLAIM**

The ornamental design for a French coffee press, as shown and described.

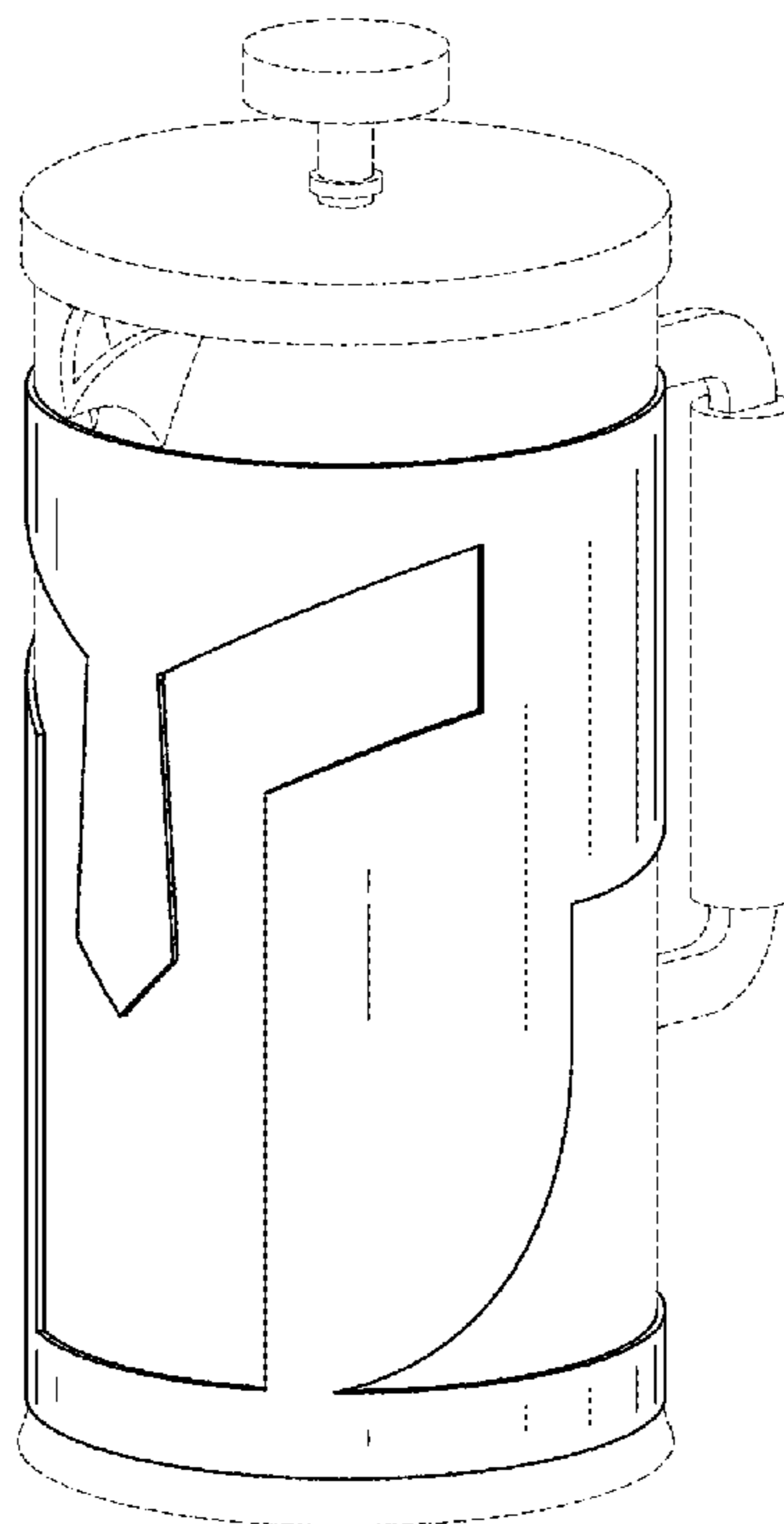
DESCRIPTION

FIG. 1 is a front perspective view of a French coffee press, showing our new design;
FIG. 2 is a front elevation view thereof;
FIG. 3 is a rear elevation view thereof;
FIG. 4 is a left side elevation view thereof, the right side elevation view being a mirror image thereof;
FIG. 5 is a top plan view thereof; and,
FIG. 6 is a bottom plan view thereof.
The broken lines shown in the drawings illustrate portions of the French coffee press that form no part of the claimed design.

(56) **References Cited**
U.S. PATENT DOCUMENTS

D386,040 S * 11/1997 Joergensen D7/317
6,152,018 A * 11/2000 Yeh A47J 31/20
220/632
D566,454 S * 4/2008 Bodum D7/317
D610,860 S * 3/2010 Bodum D7/317
D612,660 S * 3/2010 Bodum D7/317
D646,110 S * 10/2011 Munro D7/317
D677,103 S * 3/2013 Melzer D7/317
D699,502 S * 2/2014 Hoyord D7/319

1 Claim, 3 Drawing Sheets



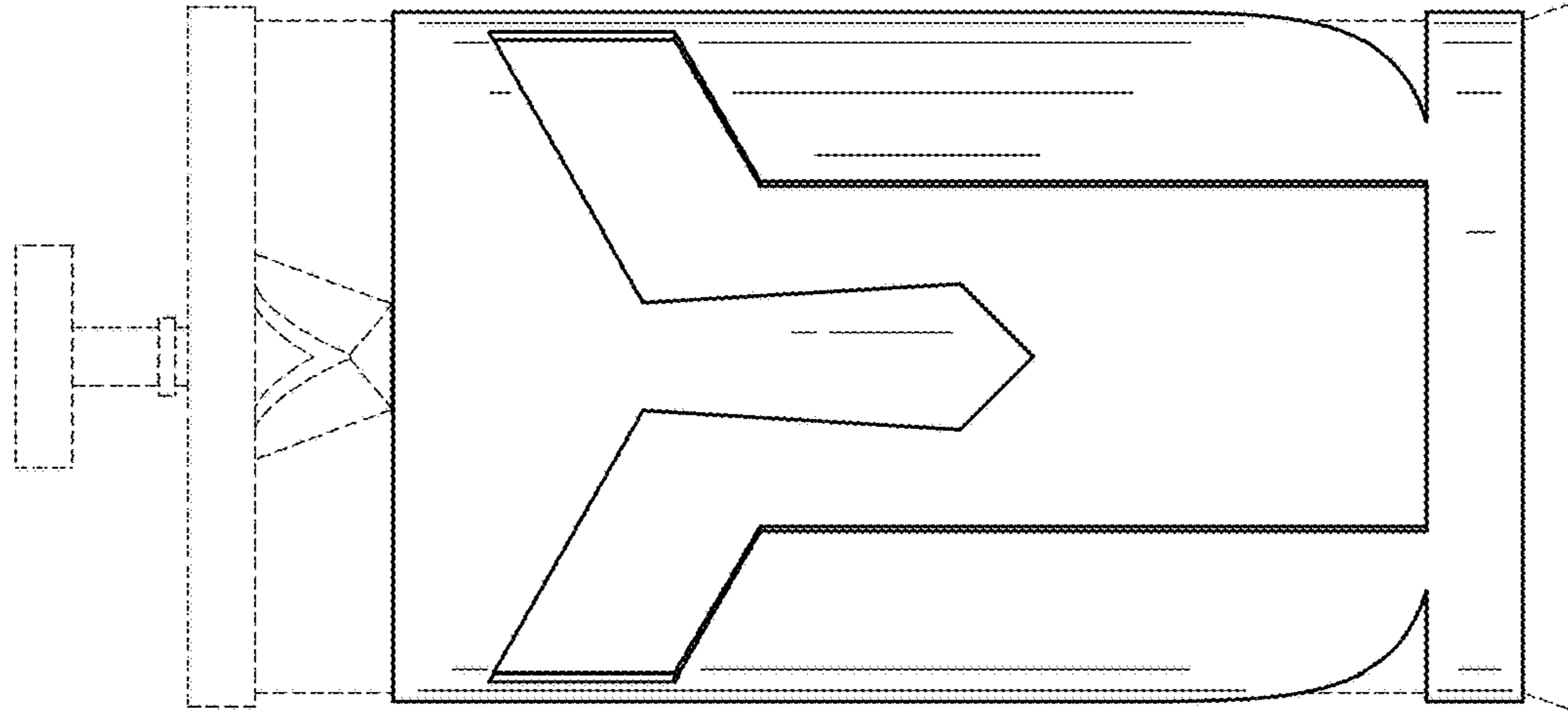


FIG. 2

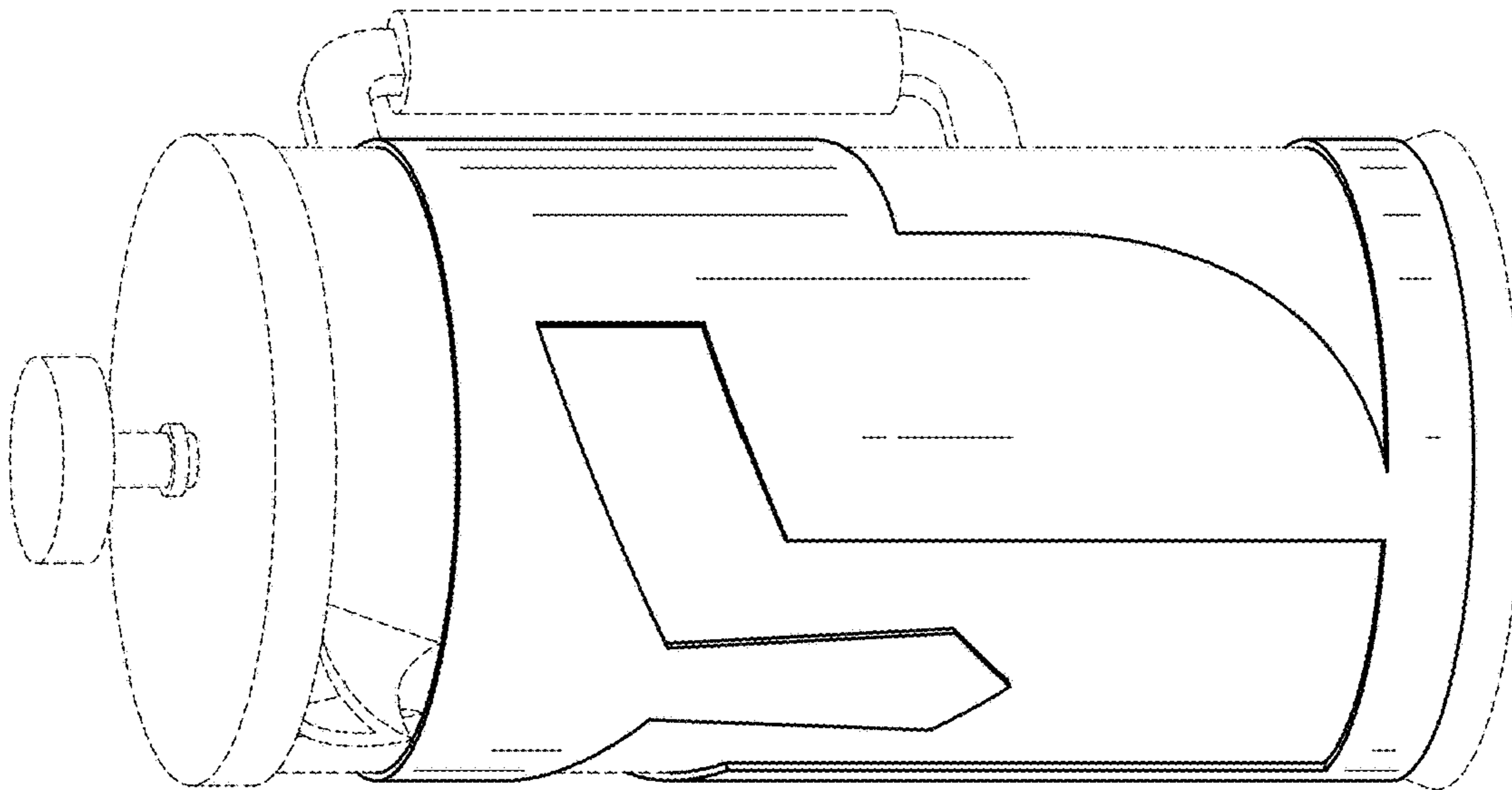


FIG. 1

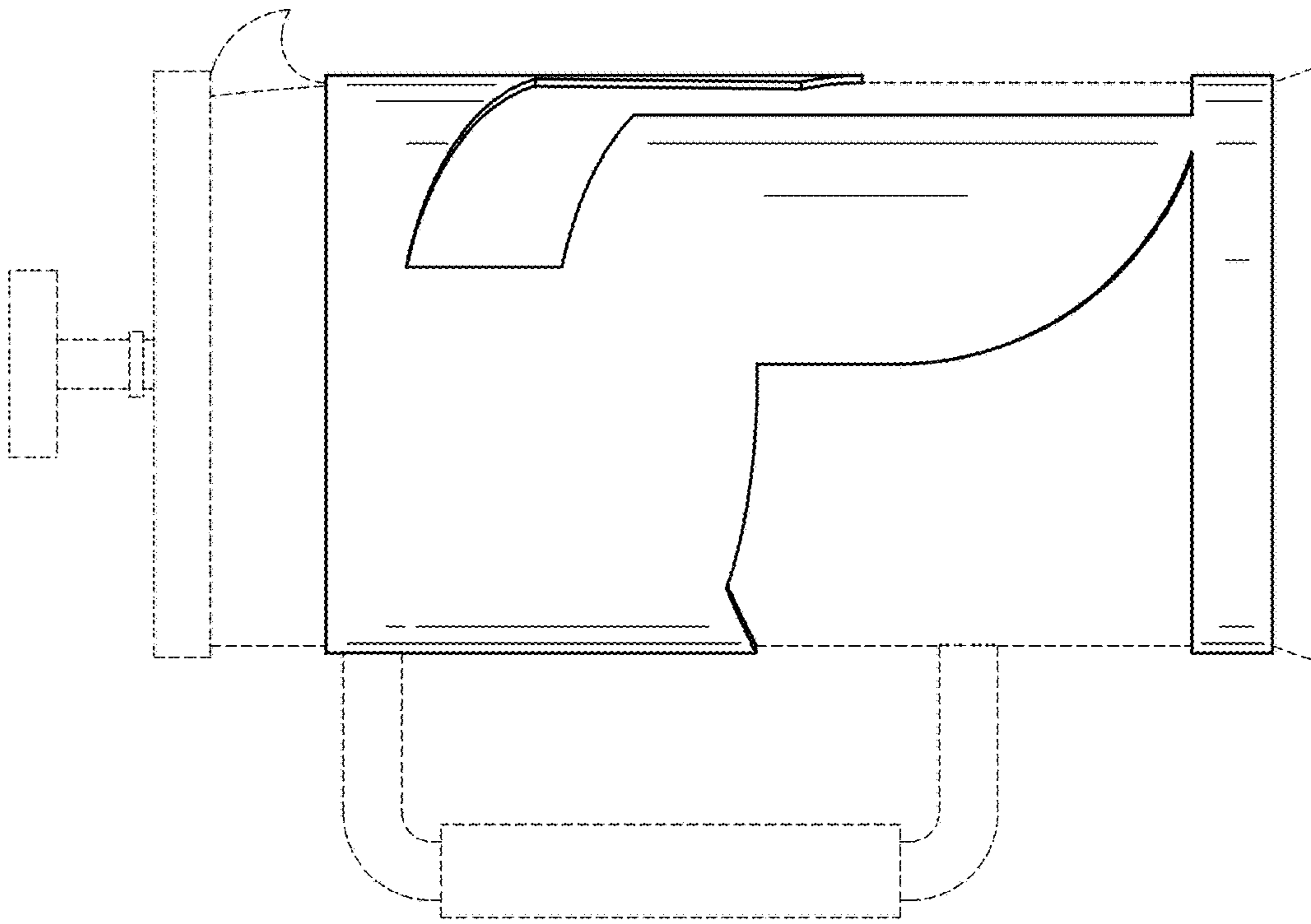


FIG. 4

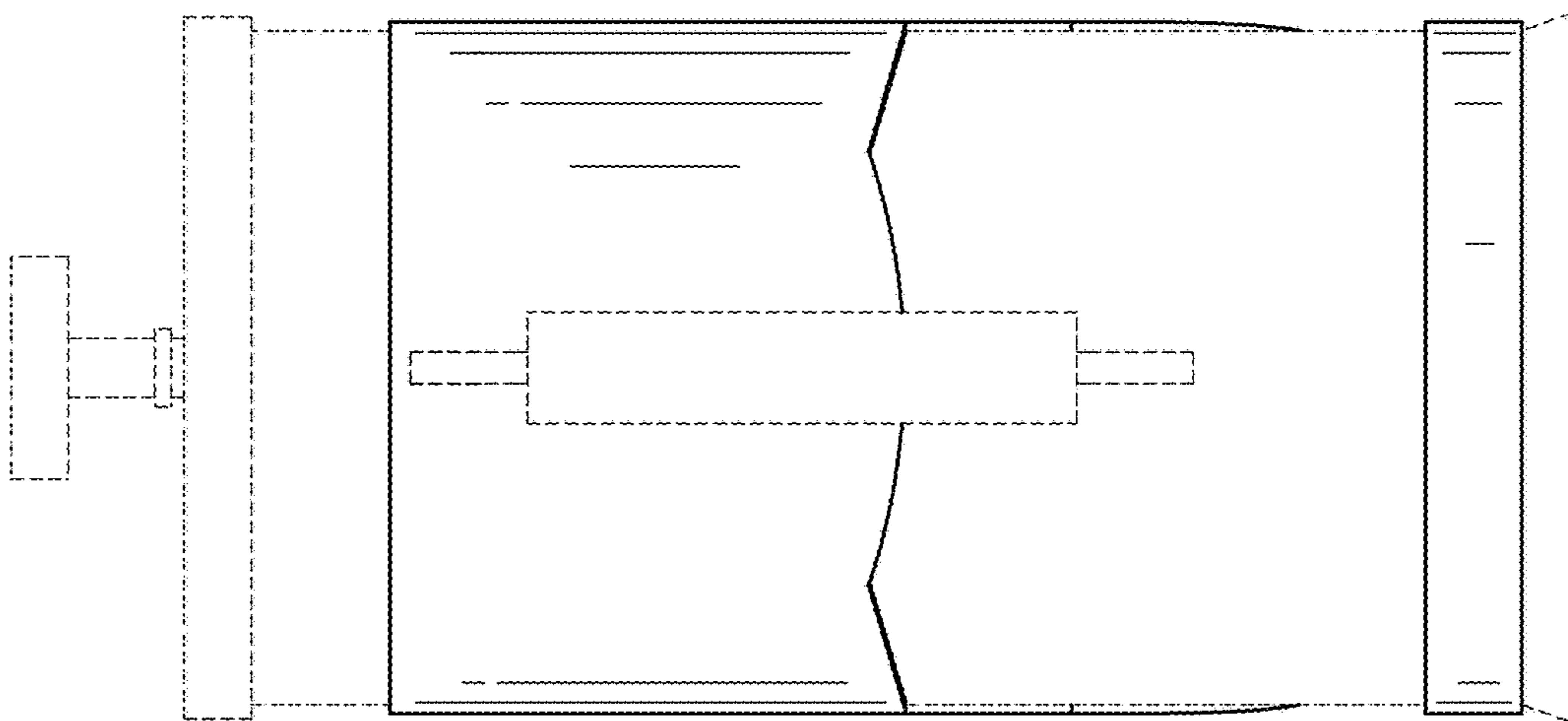


FIG. 3

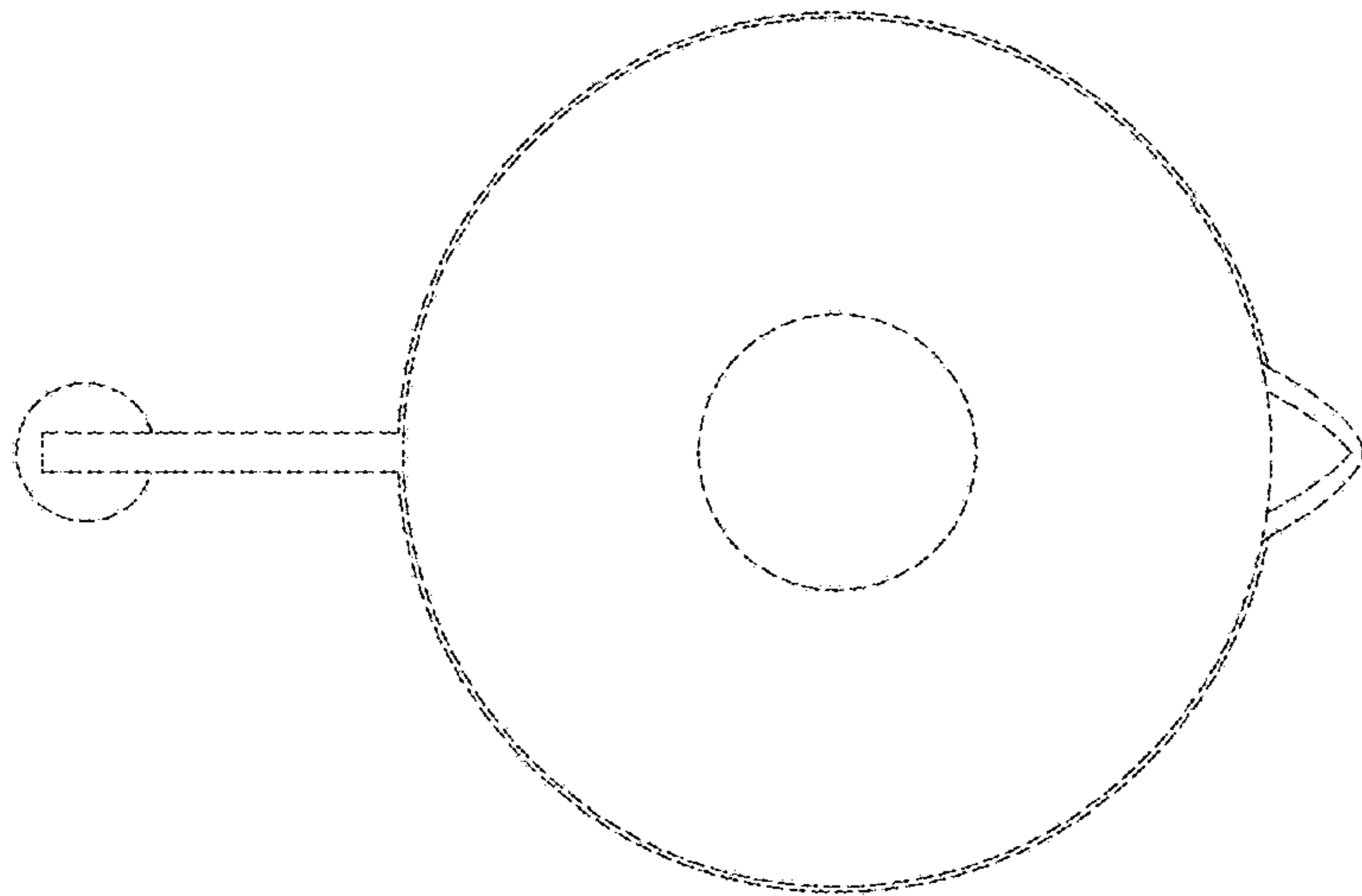


FIG. 5

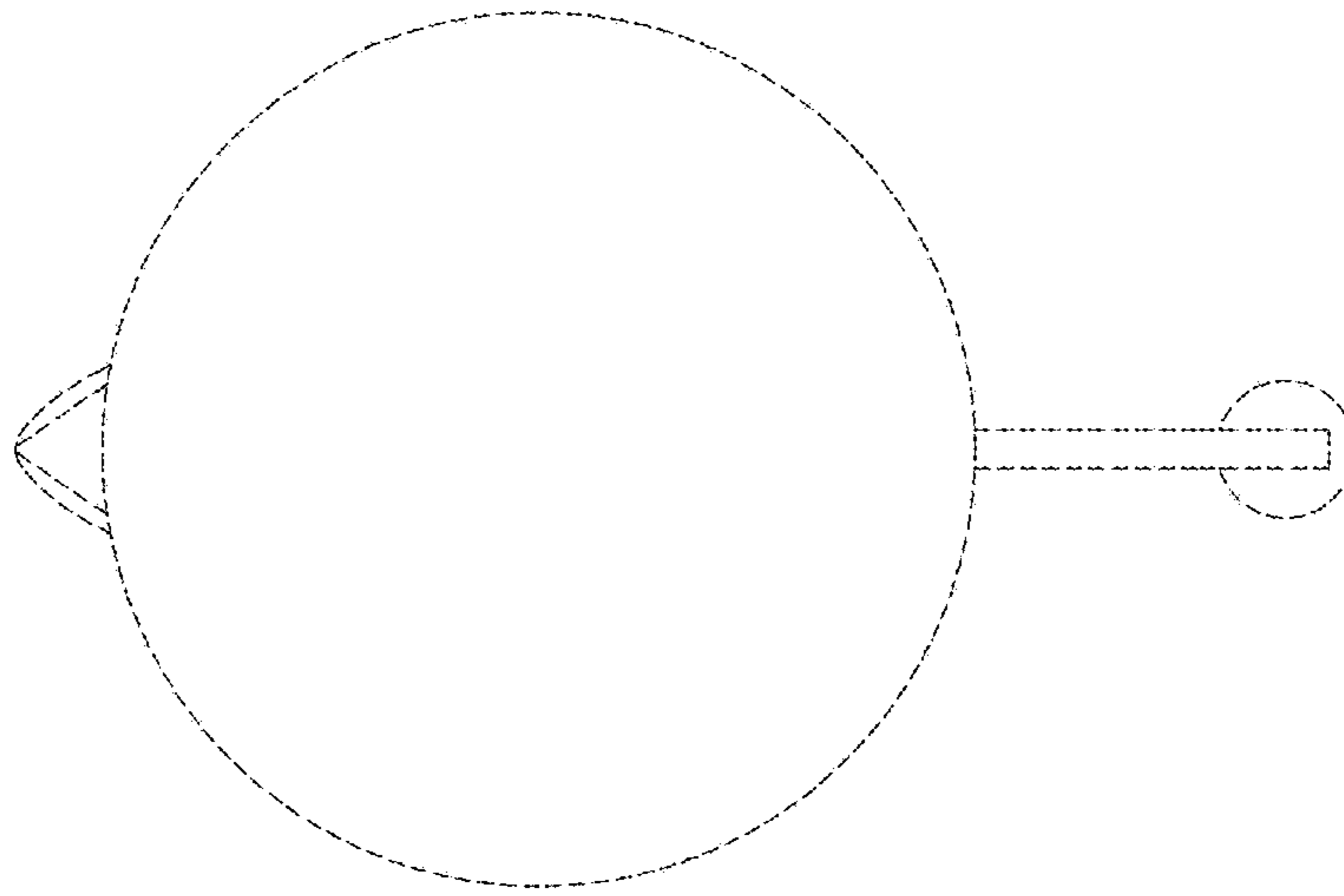


FIG. 6