



US00D861421S

(12) **United States Design Patent** (10) **Patent No.:** **US D861,421 S**
Barber (45) **Date of Patent:** **** Oct. 1, 2019**

(54) **LID FOR A CONTAINER**
(71) Applicant: **BRADSHAW INTERNATIONAL, INC.**, Rancho Cucamonga, CA (US)
(72) Inventor: **Tom Barber**, Manhattan Beach, CA (US)
(73) Assignee: **BRADSHAW INTERNATIONAL, INC.**, Rancho Cucamonga, CA (US)

D725,468 S * 3/2015 Miller D9/434
D730,729 S * 6/2015 George D9/435
D780,578 S * 3/2017 Lane D7/396.2
D790,343 S * 6/2017 Velmer D9/449
D794,453 S * 8/2017 Boroski D7/392.1
D809,919 S * 2/2018 Carlson D9/436
D826,631 S * 8/2018 Baron D7/392.1

(**) Term: **15 Years**

(21) Appl. No.: **29/638,716**

(22) Filed: **Feb. 28, 2018**

(51) **LOC (12) Cl.** **07-99**

(52) **U.S. Cl.**
USPC **D7/396.2; D9/443**

(58) **Field of Classification Search**
USPC D9/434-436, 438, 440, 443, 446, 447,
D9/449, 452, 454, 499; D7/387, 392,
D7/392.1, 394, 396.1, 396.2
CPC A45F 3/16; A45F 3/20; B65D 47/122;
B65D 47/066
See application file for complete search history.

(56) **References Cited**

U.S. PATENT DOCUMENTS

D273,463 S * 4/1984 Morris D9/443
D451,023 S * 11/2001 Kitamura D9/449
D589,743 S * 4/2009 Pearson D7/392
D608,640 S * 1/2010 Carreno D9/449
D628,887 S * 12/2010 Groubert D9/449
D675,060 S * 1/2013 Lane D7/392.1
D686,871 S * 7/2013 Lane D7/392.1
D693,630 S * 11/2013 Hurley D7/392.1

OTHER PUBLICATIONS

Amazon. GoBottle 40249 Flippin' Lockin' Lid. Dec. 15, 2017.
<URL:https://www.amazon.com/GoBottle-40249-Flippin-Lockin-Bottle/dp/B078BYYDL4>. (Year: 2017).*

* cited by examiner

Primary Examiner — George D. Kirschbaum

Assistant Examiner — Darcey E Gottschalk

(74) *Attorney, Agent, or Firm* — Birch, Stewart, Kolasch & Birch, LLP

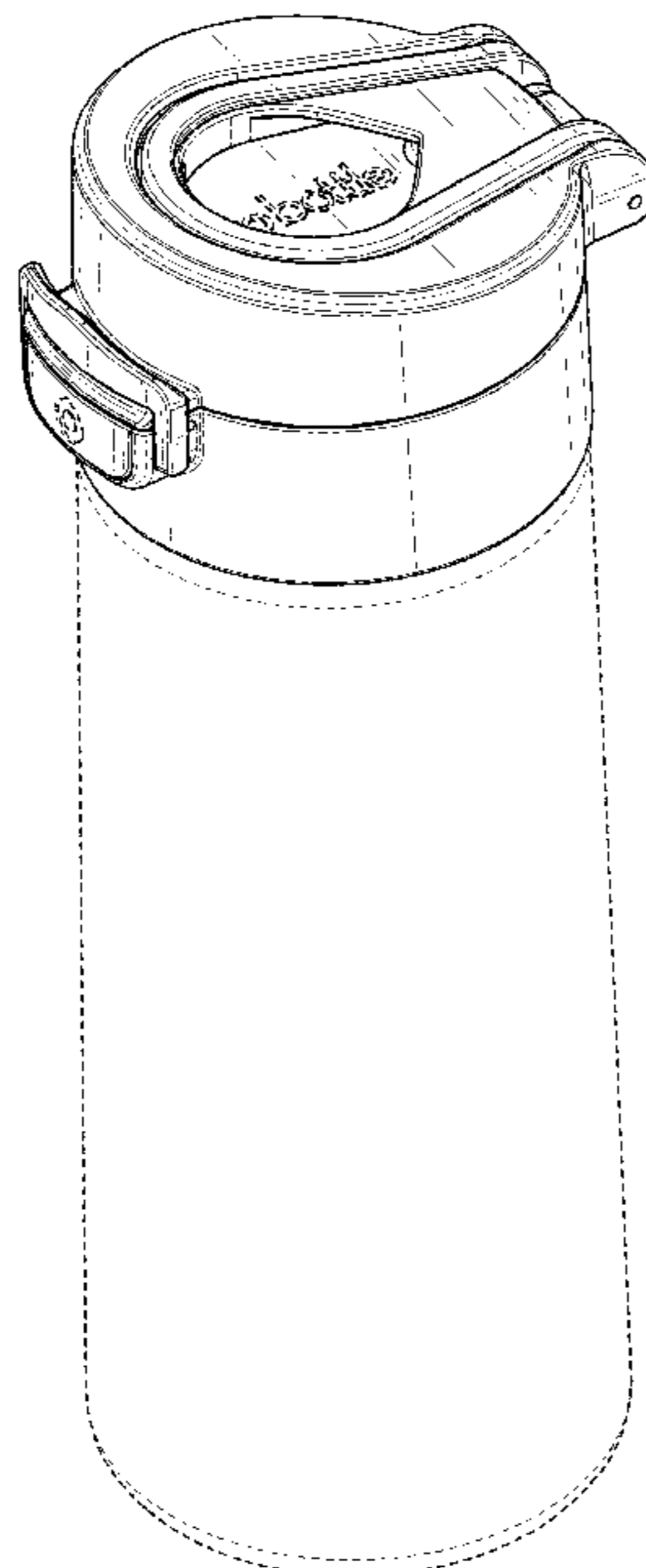
(57) **CLAIM**

The ornamental design for a lid for a container, as shown and described.

DESCRIPTION

FIG. 1 is a front, top, right perspective view of a lid for a container showing my new design;
FIG. 2 is a front view thereof;
FIG. 3 is a rear view thereof;
FIG. 4 is a left side view thereof;
FIG. 5 is a right side view thereof;
FIG. 6 is a top plan view thereof; and,
FIG. 7 is a bottom plan view thereof.
The broken lines in the Figures are for the purpose of illustrating portions of the lid for a container and form no part of the claimed design.

1 Claim, 7 Drawing Sheets



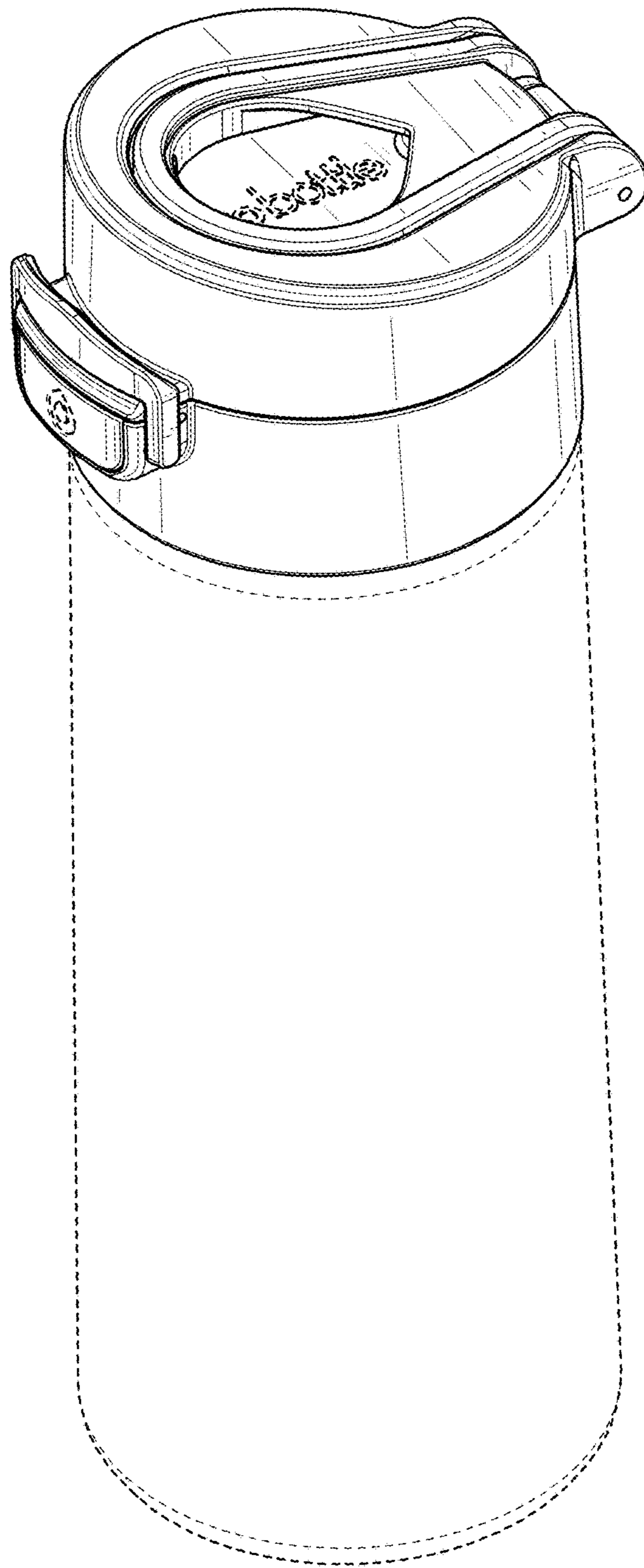


FIG. 1

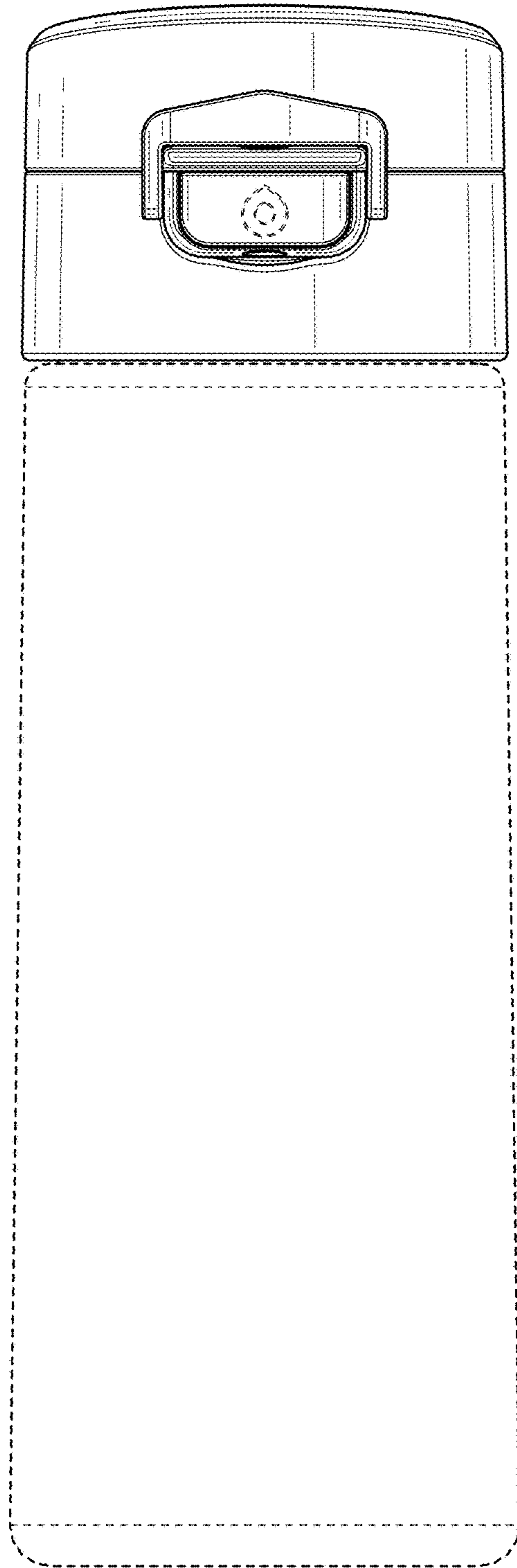


FIG. 2

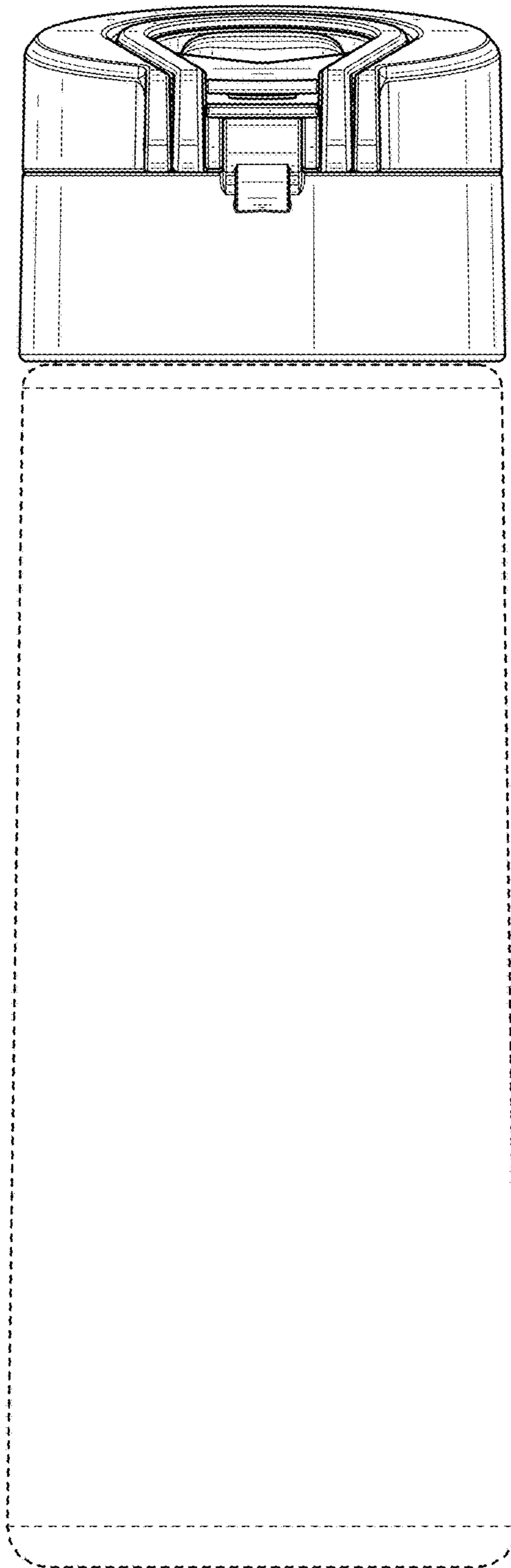


FIG. 3

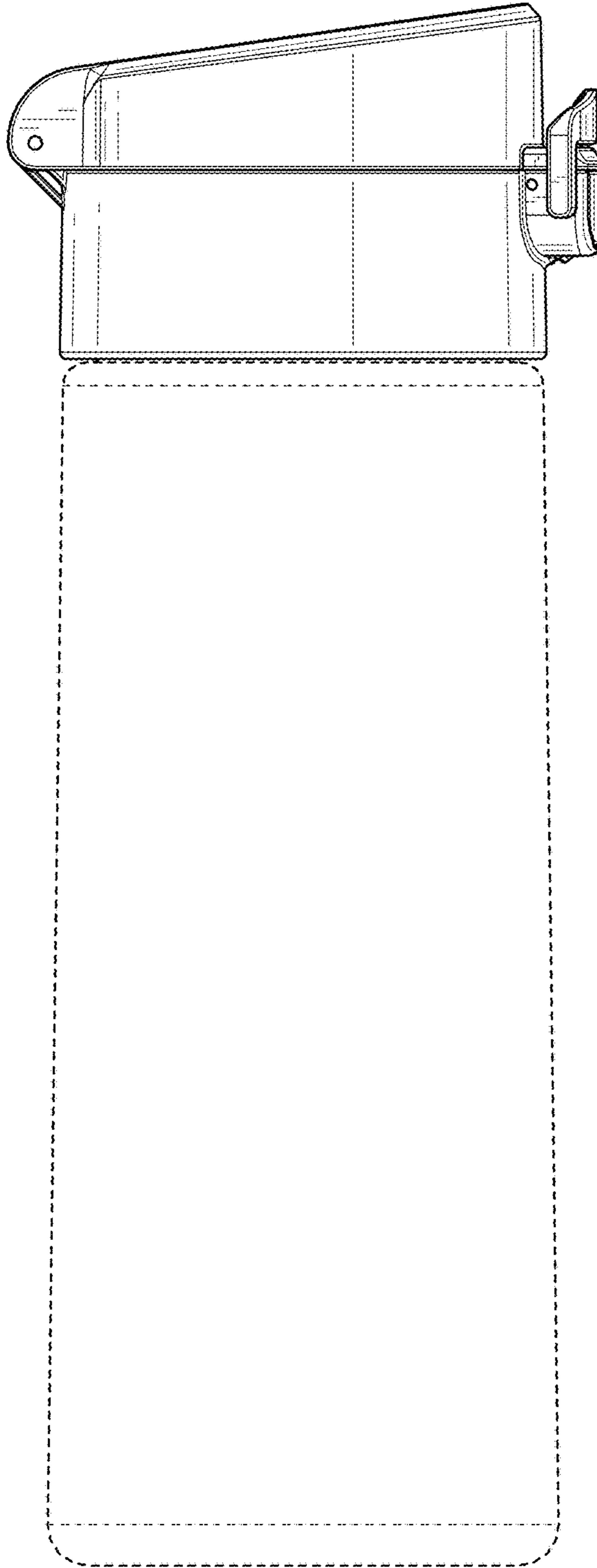


FIG. 4

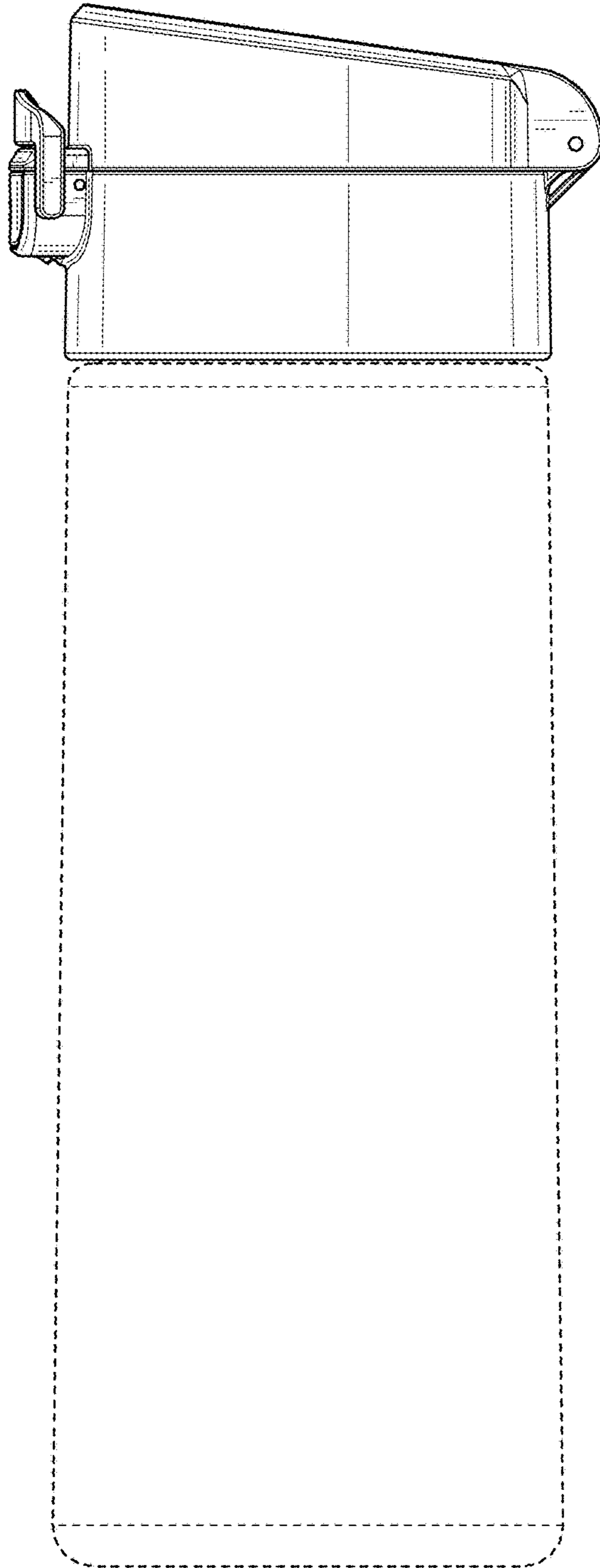


FIG. 5

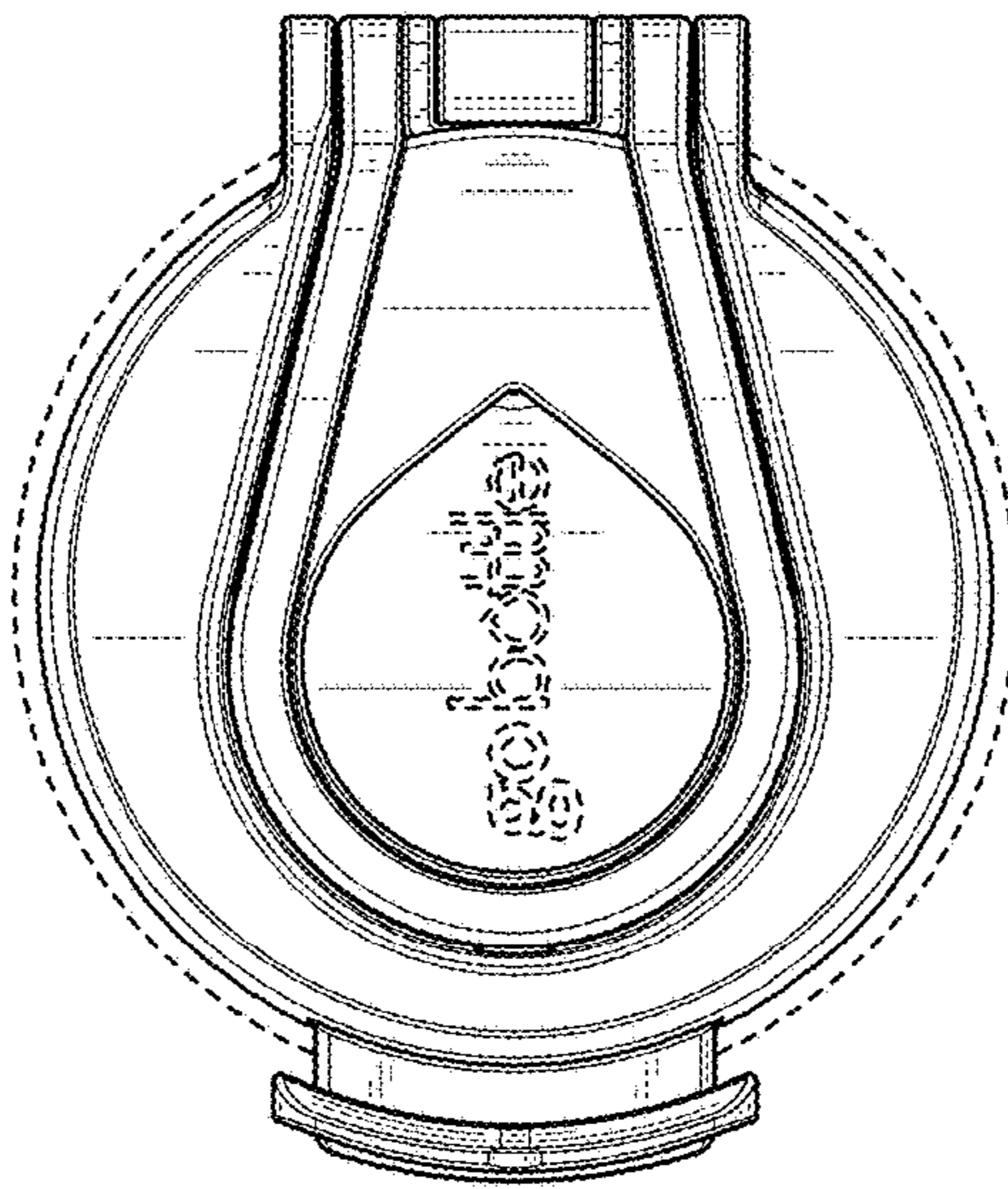


FIG. 6

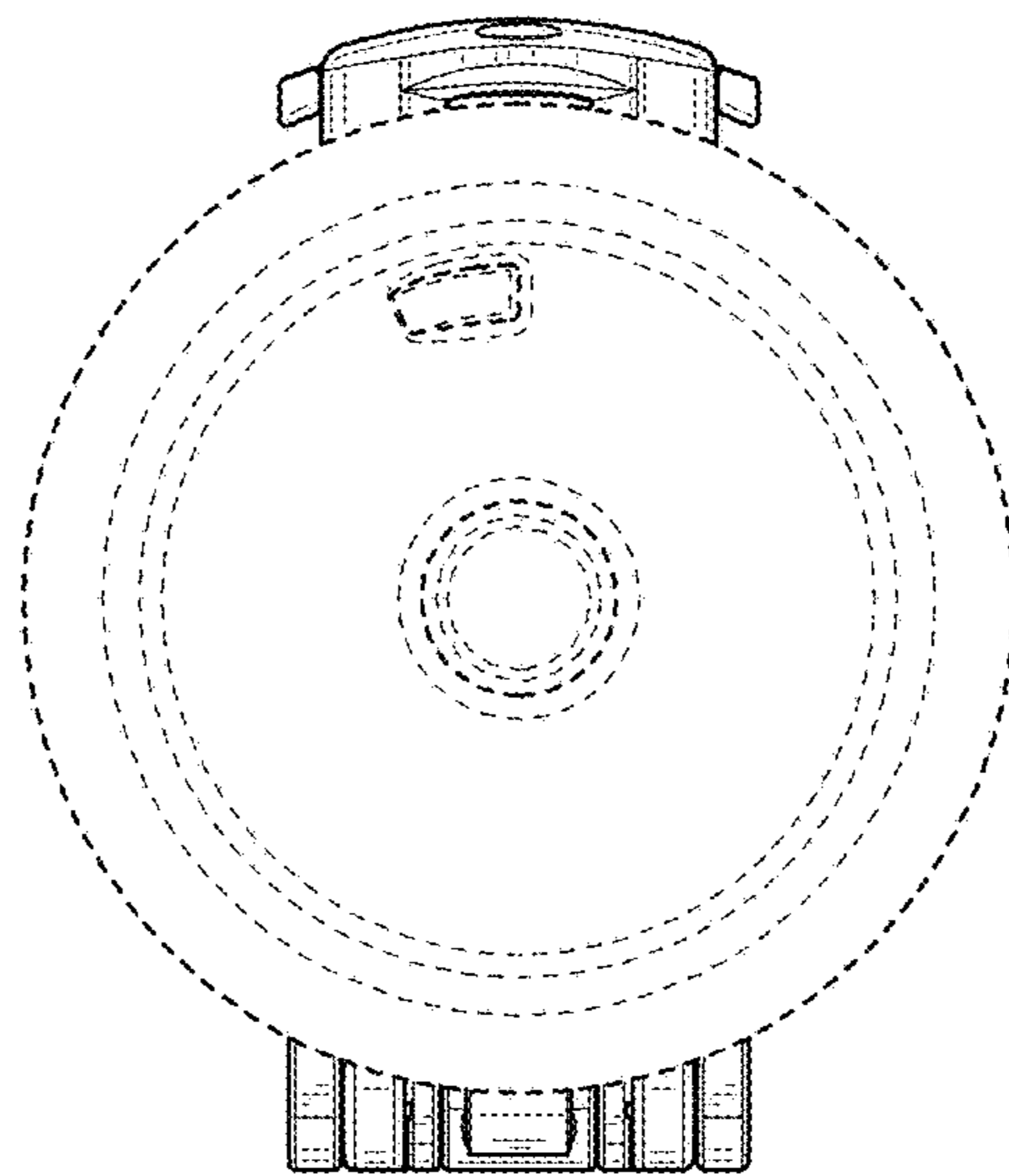


FIG. 7