



US00D861419S

(12) **United States Design Patent** (10) **Patent No.:** **US D861,419 S**  
**Omdahl, II et al.** (45) **Date of Patent:** **\*\* Oct. 1, 2019**

(54) **BASE**  
(71) Applicant: **Runway Blue, LLC**, Lehi, UT (US)  
(72) Inventors: **John R. Omdahl, II**, Lindon, UT (US);  
**David O. Meyers**, East Layton, UT (US)  
(73) Assignee: **Runway Blue, LLC**, Alpine, UT (US)  
(\*\*) Term: **15 Years**  
(21) Appl. No.: **29/598,771**  
(22) Filed: **Mar. 28, 2017**  
(51) **LOC (12) Cl.** ..... **07-99**  
(52) **U.S. Cl.**  
USPC ..... **D7/396.1**  
(58) **Field of Classification Search**  
USPC ..... D3/202; D7/300, 300.1, 313, 314, 316,  
D7/387, 392, 392.1, 393, 396, 396.1,  
D7/396.2, 397, 398, 401.1, 509, 510, 511,  
D7/523, 525, 526, 527, 528, 538, 900;  
D9/434, 435, 436, 437, 438, 440, 443,  
D9/446, 447, 448, 449, 452, 45, 3, 454,  
D9/686, 688, 690, 723, 24, 763, 772;  
D12/218, 220; D23/213, 255, 259, 260,  
D23/387; D24/193, 194, 196, 197, 199;  
D28/84; D32/32  
CPC ..... B65D 39/00; B65D 39/0047;  
B65D 39/0005; B65D 39/02; B65D  
39/08; B65D 39/14; B65D 39/19; B65D  
50/00; B65D 50/041; B65D 2543/00092;  
B65D 2543/00351; B65D 2543/00555;  
B65D 2543/00685; B65D 2543/00796;  
B65D 2543/00296; B65D 2543/00416;  
B65D 2543/00638; B65D 2543/00731;  
B65D 21/0228; B65D 51/02; B65D  
51/04; B65D 51/18; B65D 51/28; B65D  
51/242; B65D  
(Continued)

(56) **References Cited**  
U.S. PATENT DOCUMENTS  
D510,235 S 10/2005 Sorensen  
D552,929 S \* 10/2007 de Groote ..... D7/300.1  
(Continued)

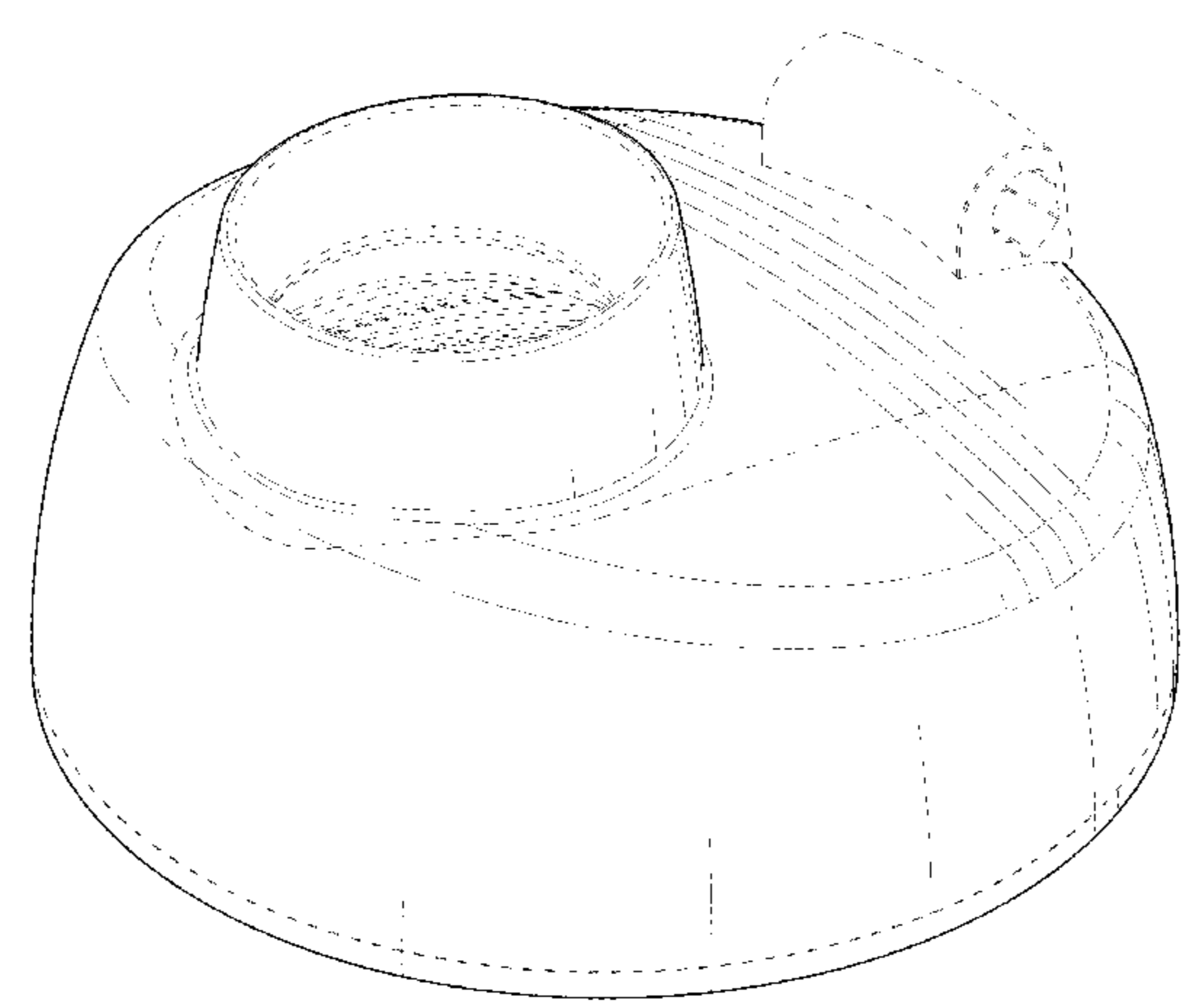
FOREIGN PATENT DOCUMENTS  
WO WO-2015109197 A1 \* 7/2015 ..... A47J 43/27  
WO WO-2016163924 A1 \* 10/2016 ..... A45F 3/18

OTHER PUBLICATIONS  
SportMixer Twist Blender Bottle Replacement Lid: Announced Jul.  
28, 2018 [online]. Site Visited [Oct. 21, 2018]. Available from  
Internet URL:[https://www.blenderbottle.com/products/replacement-lids?variant=15599849308227#product-purchase.\\*](https://www.blenderbottle.com/products/replacement-lids?variant=15599849308227#product-purchase.*)  
(Continued)

*Primary Examiner* — Jennifer Rivard  
*Assistant Examiner* — Catherine S Posthauer  
(74) *Attorney, Agent, or Firm* — Sterne, Kessler,  
Goldstein & Fox, P.L.L.C.

(57) **CLAIM**  
The ornamental design for a base, as shown and described.

**DESCRIPTION**  
FIG. 1 is a top front perspective view of a base;  
FIG. 2 is a top rear perspective view of the base shown in  
FIG. 1;  
FIG. 3 is a front view of the base shown in FIG. 1;  
FIG. 4 is a rear view of the base shown in FIG. 1;  
FIG. 5 is a left side view of the base shown in FIG. 1;  
FIG. 6 is a right side view of the base shown in FIG. 1;  
FIG. 7 is a top view of the base shown in FIG. 1; and,  
FIG. 8 is a bottom view of the base shown in FIG. 1.  
The evenly broken lines are shown for the purpose of  
illustrating parts of the article that form no part of the  
(Continued)



claimed design. The dot-dash broken lines define bounds of the claimed design and form no part thereof.

**1 Claim, 8 Drawing Sheets**

**(58) Field of Classification Search**

CPC ..... 51/2814; B65D 51/2821; B65D 47/0895;  
 B65D 47/148; B65D 47/36; B65D 43/02;  
 B65D 43/14; B65D 43/16; B65D 43/26;  
 B65D 43/0202; B65D 43/0208; B65D  
 41/0483; B65D 41/0421; B65D 41/0485;  
 B65D 41/3428; B65D 41/48; B65D  
 41/485; B65D 41/045; B65D 71/00;  
 B65D 5/504; B65D 5/36; B65D 41/16;  
 B65D 41/17; B65D 41/26; B65D 41/32;  
 B65D 41/0492; B65D 41/0471; B65D  
 41/0428; B65D 41/0414; B65D 41/026;  
 B65D 41/023; B65D 41/003; B65D  
 41/02; B65D 41/00; B65D 53/00; B65D  
 53/02; B65D 53/04; B65D 2255/00;  
 B65D 47/08; B65D 47/265; B65D 55/02;  
 B65D 55/024; B65D 41/005; B65D  
 41/025; A47J 43/27; A47J 36/06; A47J  
 36/10; A47J 36/14; A47G 19/22; A47G  
 19/2205; A47G 19/2222; A47G 19/2266;  
 A47G 19/2272; A47G 19/2294; A45D  
 34/00; A61J 2205/50

See application file for complete search history.

**(56)**

**References Cited**

U.S. PATENT DOCUMENTS

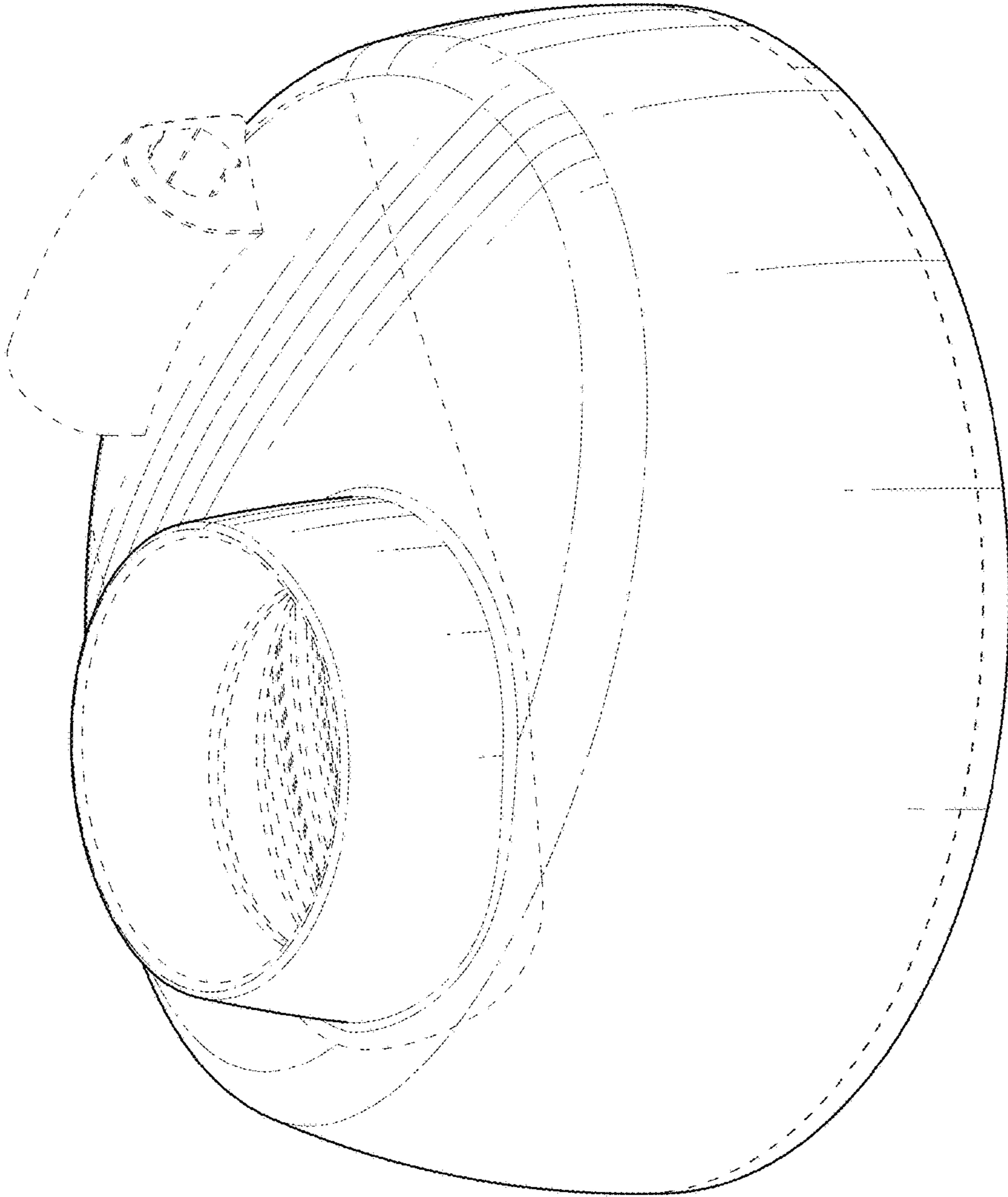
D624,357 S \* 9/2010 George ..... D7/396.2  
 D628,483 S \* 12/2010 McKinney ..... D9/449  
 D644,065 S \* 8/2011 Llerena ..... D7/300.1  
 D646,919 S \* 10/2011 Nilsson ..... B65D 47/148  
 D7/300.1  
 D696,551 S 12/2013 Meyers et al.

8,844,746 B2 \* 9/2014 Meyers ..... B65D 43/00  
 215/237  
 D739,174 S \* 9/2015 Elsaden ..... D7/392.1  
 D745,827 S 12/2015 Sorensen et al.  
 D748,430 S \* 2/2016 Sorensen ..... D7/392.1  
 D748,478 S \* 2/2016 Sorensen ..... D9/443  
 D758,127 S \* 6/2016 Zhao ..... D7/392.1  
 D768,491 S 10/2016 Sorensen et al.  
 D779,872 S \* 2/2017 Bergstrom ..... D7/392.1  
 D788,583 S \* 6/2017 Tu ..... D7/392.1  
 D799,270 S \* 10/2017 Polk, III ..... D7/510  
 D802,366 S \* 11/2017 Cerasani ..... D7/510  
 D803,619 S \* 11/2017 Seiders ..... D7/392.1  
 D820,038 S 6/2018 Sorensen et al.  
 D830,119 S 10/2018 Sorensen et al.  
 2011/0220674 A1 \* 9/2011 Honeyghan ..... A47G 19/22  
 220/849  
 2013/0062304 A1 \* 3/2013 Meyers ..... B65D 43/00  
 215/240  
 2013/0343148 A1 \* 12/2013 Avila ..... B01F 13/005  
 366/130  
 2014/0069918 A1 \* 3/2014 Meyers ..... B65D 51/242  
 220/212.5  
 2014/0091086 A1 \* 4/2014 Sorensen ..... A47G 19/2205  
 220/4.27  
 2014/0360908 A1 \* 12/2014 Sorensen ..... B65D 21/0228  
 206/501  
 2015/0201775 A1 \* 7/2015 Sorensen ..... A47G 19/2266  
 222/482  
 2015/0329255 A1 \* 11/2015 Rzepecki ..... B65D 43/16  
 222/189.06  
 2017/0105581 A1 \* 4/2017 Enghard ..... A47J 43/27  
 2017/0225850 A1 \* 8/2017 Sorensen ..... B65D 47/0895  
 2017/0283132 A1 \* 10/2017 Sorensen ..... A47G 19/00

OTHER PUBLICATIONS

CN Notification to Grant Patent Right for Design received in Application No. 201730465337.4, dated Mar. 28, 2018, 3 pages.  
 CA Examination Report received in Application No. 177384, dated Apr. 9, 2018, 1 page.  
 U.S. Appl. No. 29/650,949, filed Jun. 11, 2018, 16 pgs.

\* cited by examiner



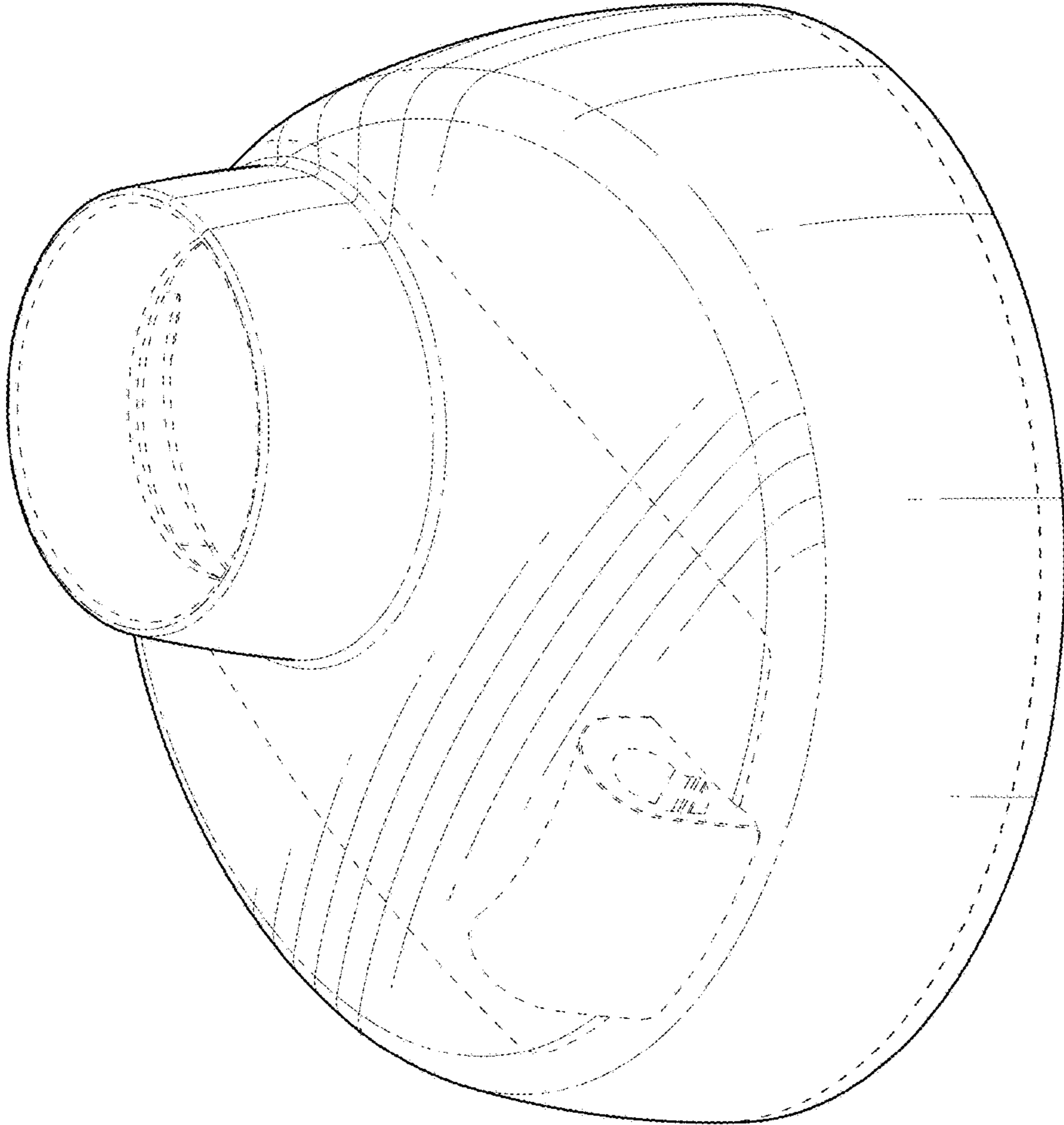


FIG. 2

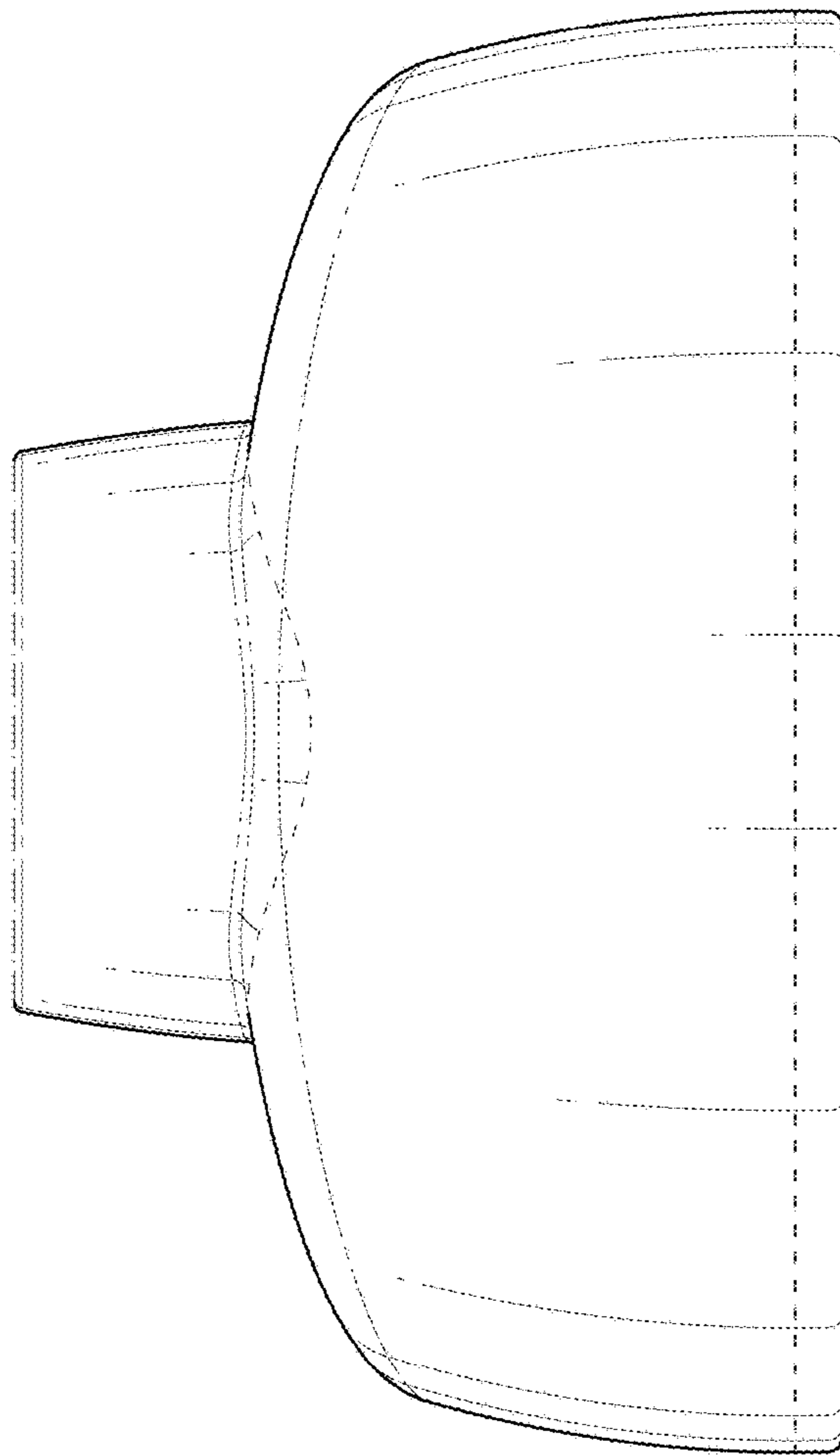


FIG. 3

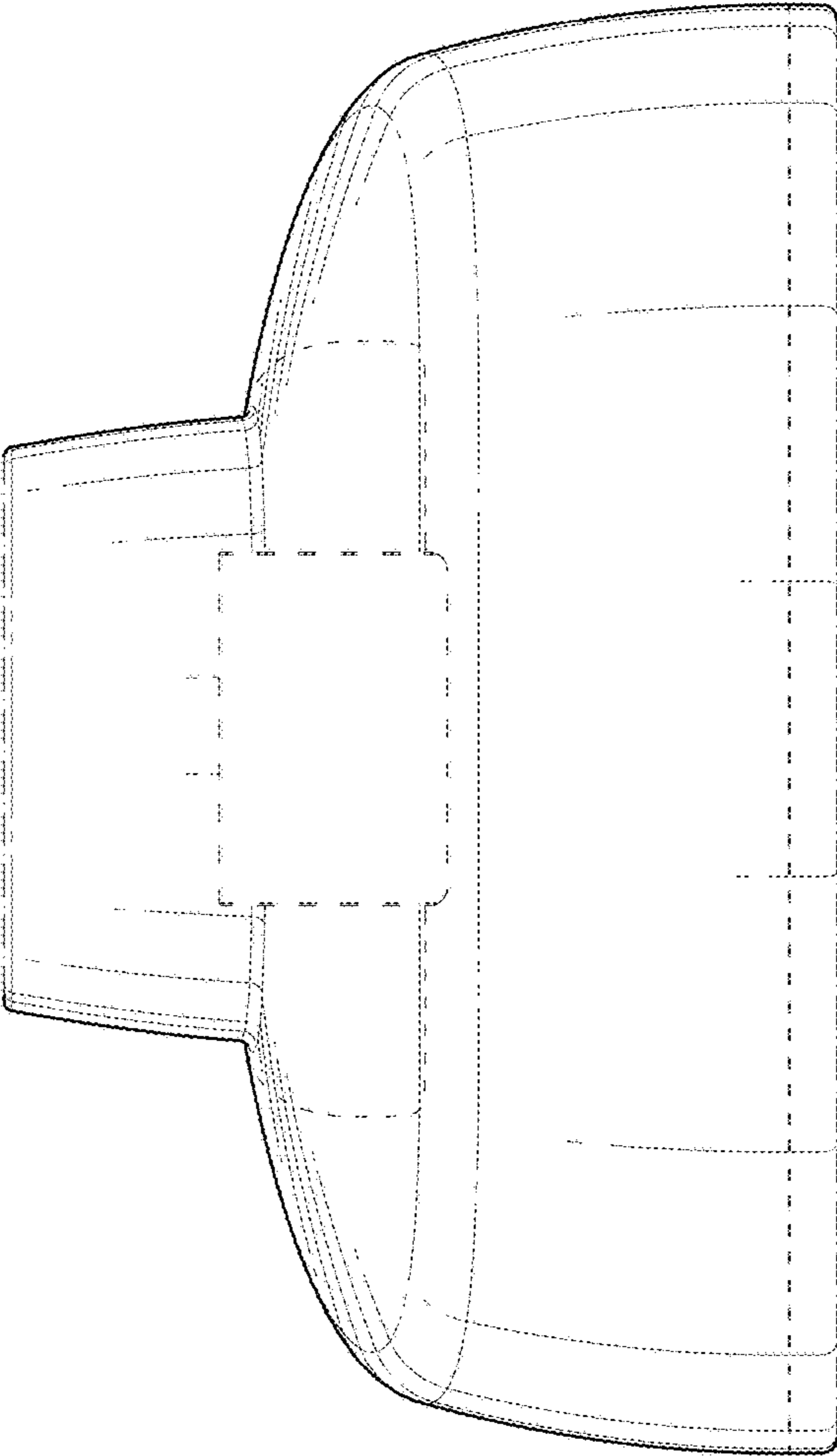


FIG. 4

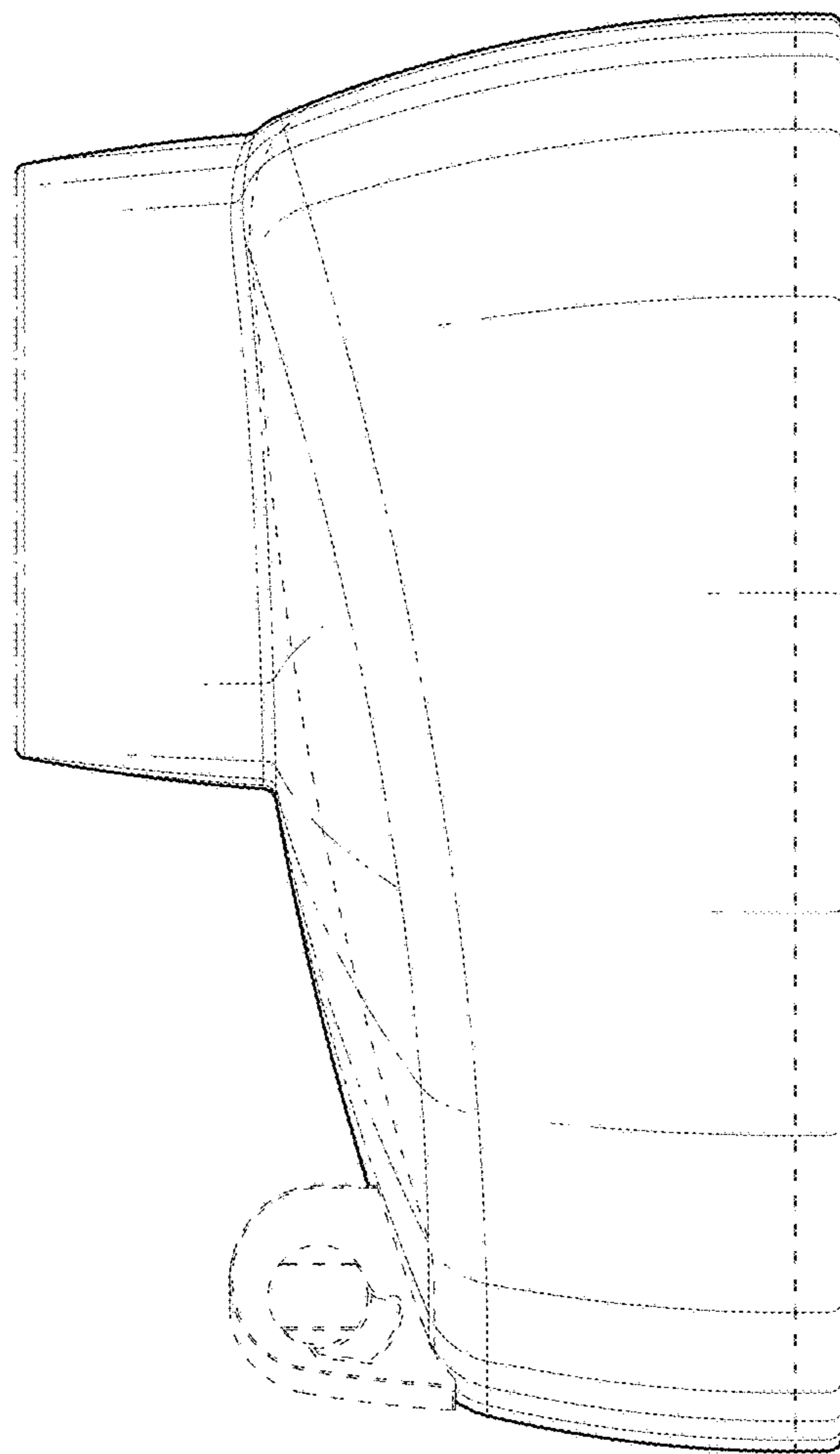


FIG. 5

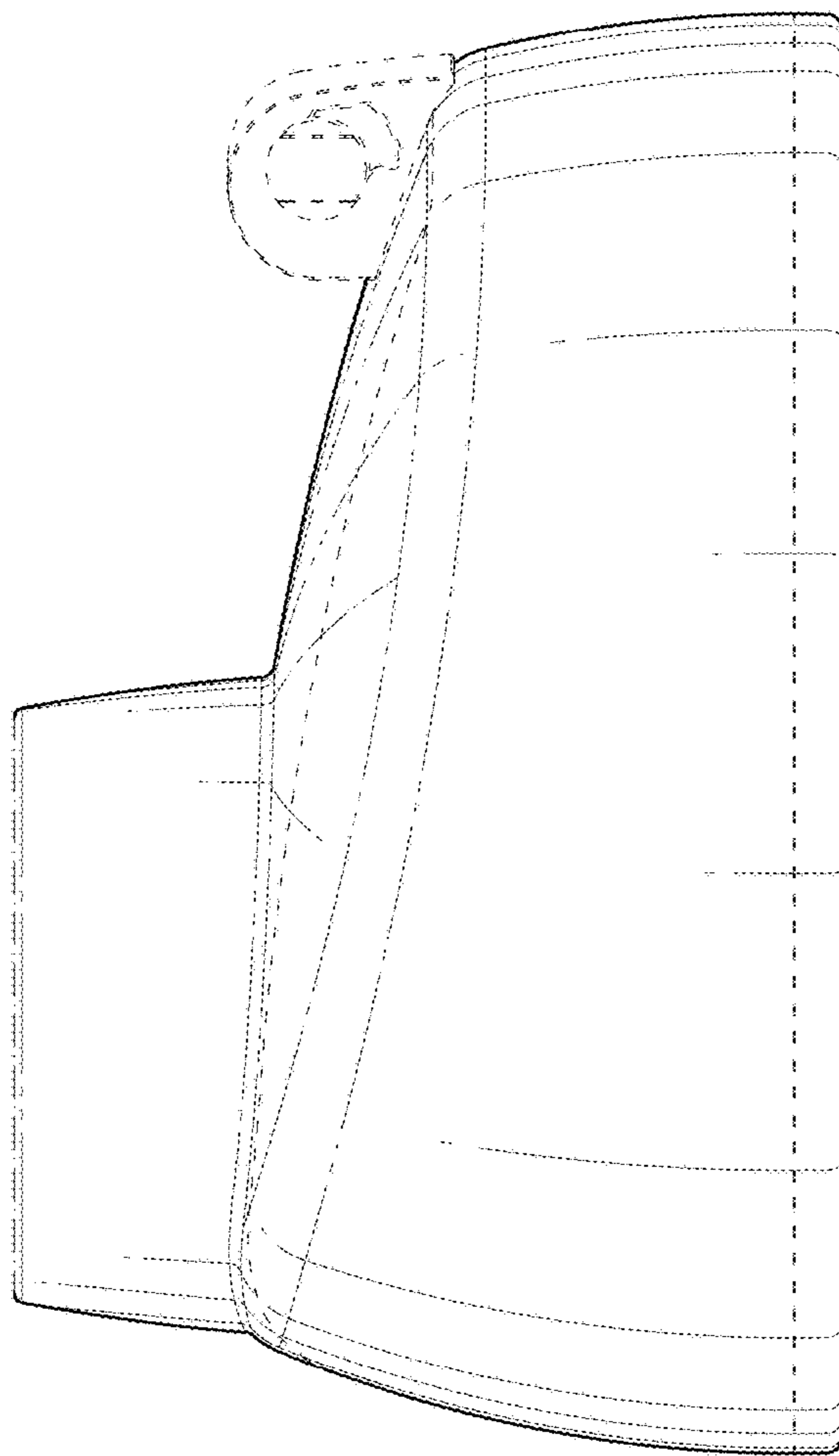


FIG. 6



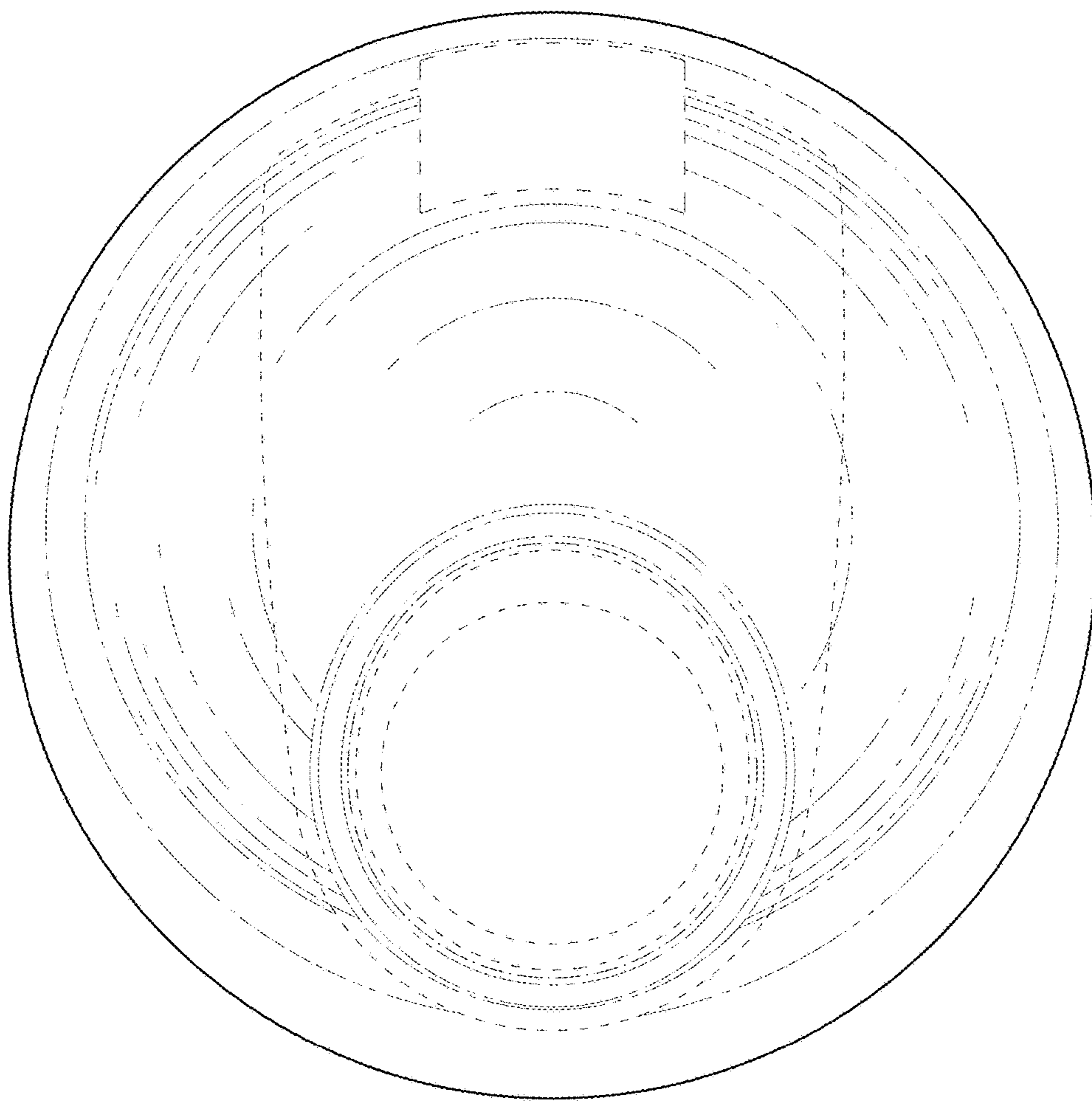


FIG. 7

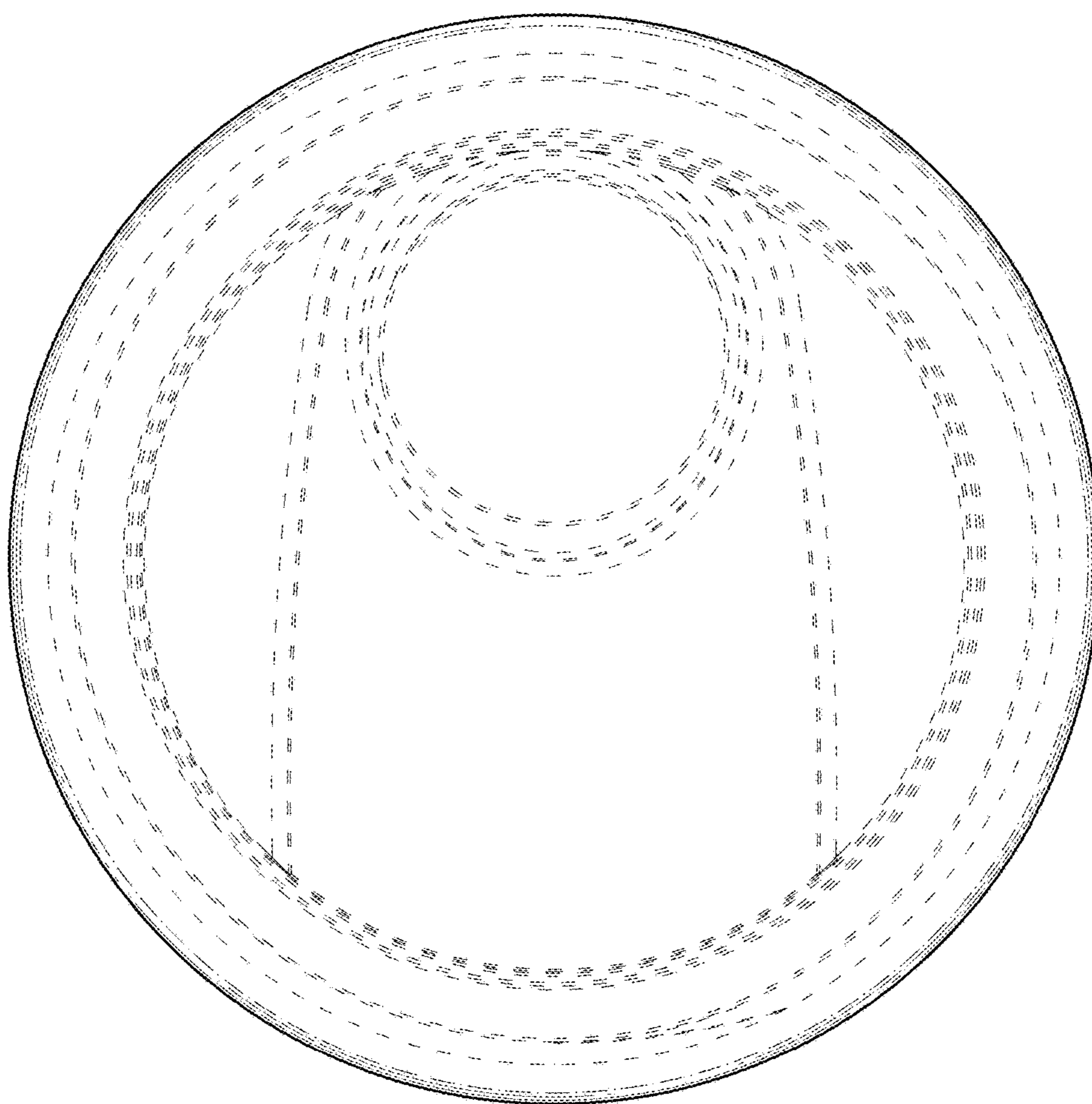


FIG. 8