



US00D861415S

(12) **United States Design Patent** (10) **Patent No.:** **US D861,415 S**
Seiders et al. (45) **Date of Patent:** **** Oct. 1, 2019**

(54) **LID**

- (71) Applicant: **YETI Coolers, LLC**, Austin, TX (US)
- (72) Inventors: **Roy Joseph Seiders**, Austin, TX (US); **Andy Bondhus**, Austin, TX (US); **Kyle Ellison**, Austin, TX (US); **Evan Goldberg**, Austin, TX (US)
- (73) Assignee: **YETI Coolers, LLC**, Austin, TX (US)
- (**) Term: **15 Years**
- (21) Appl. No.: **29/568,688**
- (22) Filed: **Jun. 20, 2016**
- (51) **LOC (12) Cl.** **07-01**
- (52) **U.S. Cl.**
USPC **D7/392.1**
- (58) **Field of Classification Search**
USPC D7/391, 392, 392.1, 396.1, 396.2, 509,
D7/510, 511, 514, 518; D9/435, 436,
D9/440, 447, 451, 516, 530, 738
CPC B65D 47/122
See application file for complete search history.

(56) **References Cited**

U.S. PATENT DOCUMENTS

D192,192 S	2/1962	Tupper	
4,090,660 A *	5/1978	Schram B65D 47/0833 215/257
4,202,459 A *	5/1980	DeParales B65D 43/0218 220/254.3
4,408,703 A *	10/1983	Libit G01F 11/18 222/284
D288,667 S	3/1987	Miner	
D363,666 S	10/1995	Goto et al.	
5,746,338 A	5/1998	Takahashi et al.	
D416,755 S	11/1999	Trombly	
D485,759 S *	1/2004	Janky D7/392.1
D504,796 S *	5/2005	Schuler D7/392.1

(Continued)

FOREIGN PATENT DOCUMENTS

EP	0654417 A1	5/1995
EP	1332977 A1	8/2003
GB	253358 A	6/1926

OTHER PUBLICATIONS

“Bodum Insulated Plastic Travel Mug”. Found online Mar. 9, 2017 at amazon.com. Page dated Aug. 10, 2012. Retrieved from https://www.amazon.com/...d-Plastic-0-45-Liter-15-Ounce/dp/B0093EPIG0/ref=sr_1_133?ie=UTF8&qid=1489084258&sr=8-133&keywords=mug+lid&refinements=p_72%3A2661621011.*

(Continued)

Primary Examiner — Kendra Leslie Hamilton
(74) *Attorney, Agent, or Firm* — Banner & Witcoff, Ltd.

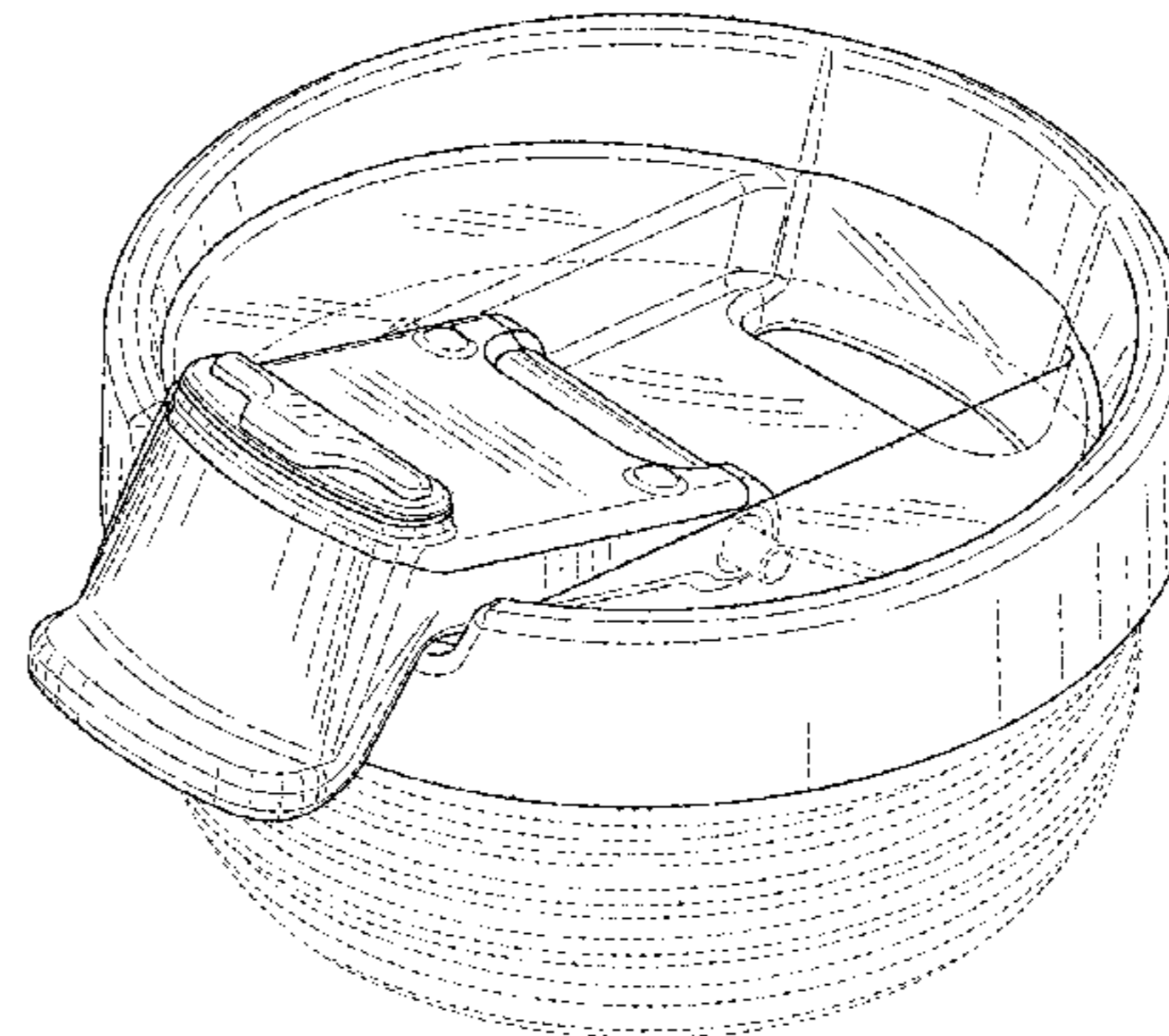
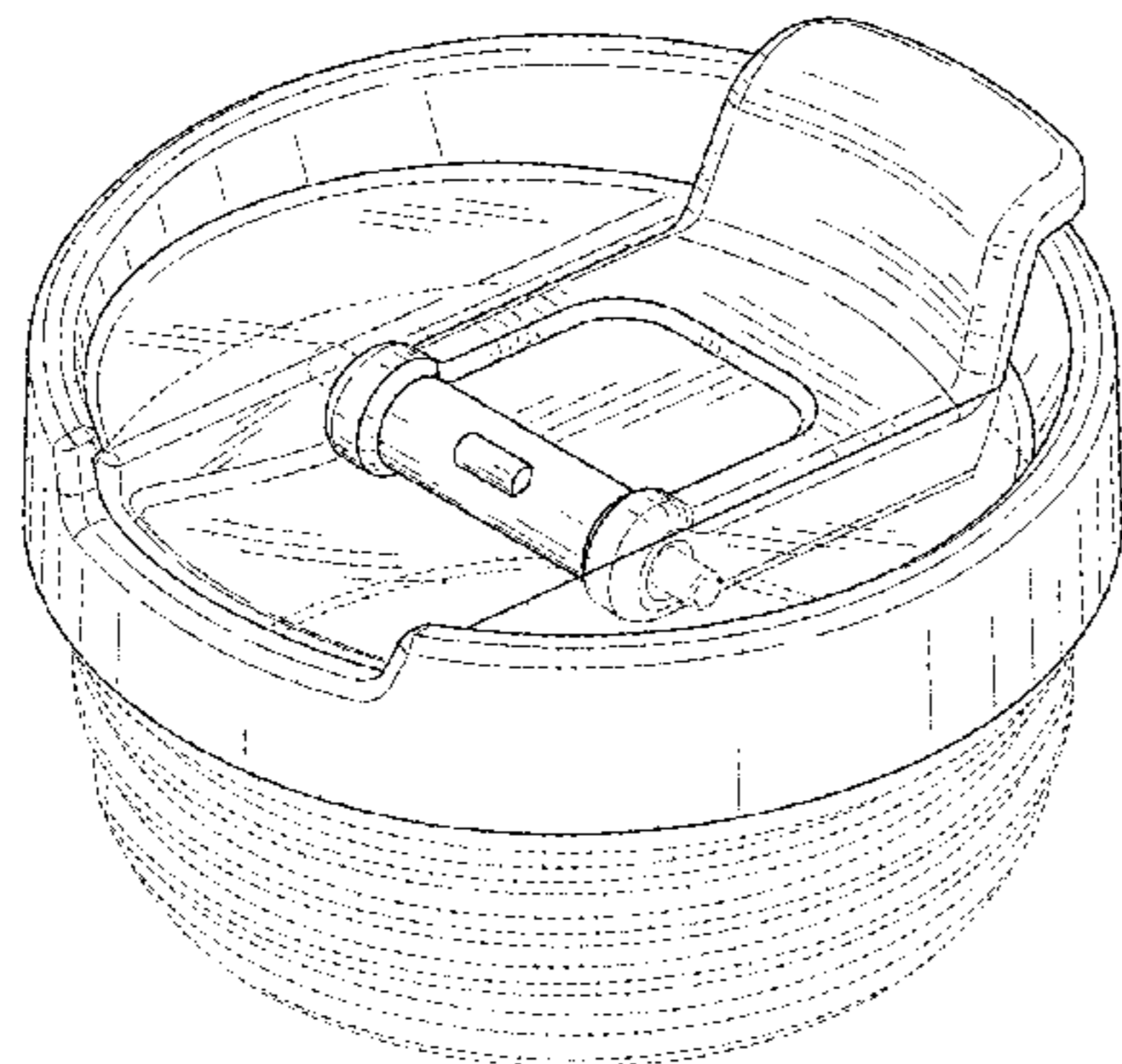
(57) **CLAIM**

The ornamental design for a lid, as shown and described.

DESCRIPTION

FIG. 1 is a top, front, right perspective view of a lid showing our new design;
 FIG. 2 is a front view thereof;
 FIG. 3 is a rear view thereof;
 FIG. 4 is a left side view thereof;
 FIG. 5 is a right side view thereof;
 FIG. 6 is a top view thereof;
 FIG. 7 is a top, front, right perspective view of the lid of FIG. 1, shown in a second configuration;
 FIG. 8 is a front view thereof;
 FIG. 9 is a rear view thereof;
 FIG. 10 is a left side view thereof;
 FIG. 11 is a right side view thereof;
 FIG. 12 is a top view thereof; and,
 FIG. 13 is a top, front, right perspective view of the lid of FIG. 1, shown in a third configuration.
 The broken lines in the drawings depict portions of the lid that form no part of the claimed design.

1 Claim, 10 Drawing Sheets



(56)

References Cited

U.S. PATENT DOCUMENTS

D544,749 S * 6/2007 Seum D7/392.1
 D552,926 S 10/2007 Yelland
 D584,566 S 1/2009 Fuller
 D608,140 S * 1/2010 Gilbert D7/392.1
 D623,017 S 9/2010 George
 D627,600 S 11/2010 Eyal
 D643,245 S 8/2011 Minarsch
 D644,060 S 8/2011 Komeiji
 D647,753 S * 11/2011 Lin D7/392.1
 D655,570 S 3/2012 Meehan
 D655,604 S 3/2012 Molina et al.
 D655,967 S 3/2012 Bodum
 D662,354 S 6/2012 Bodum
 D666,052 S 8/2012 Trombly
 D667,263 S * 9/2012 Gilbert D7/392.1
 8,276,776 B2 10/2012 Roth et al.
 D674,663 S * 1/2013 Cahen D7/510
 D691,416 S * 10/2013 Eyal D7/396.2
 D692,756 S 11/2013 McClellan et al.
 D696,900 S 1/2014 George et al.
 D710,698 S 8/2014 Giraud et al.
 D715,100 S 10/2014 Eyal
 D717,103 S 11/2014 Wilbur
 D717,115 S * 11/2014 Lane D7/511
 D721,535 S 1/2015 Chapman et al.
 D721,540 S 1/2015 Grcic
 D732,337 S 6/2015 Coon et al.
 D747,199 S 1/2016 Phillips
 D751,340 S 3/2016 Seiders et al.
 D751,341 S 3/2016 Seiders et al.
 D752,381 S 3/2016 Wahl
 D752,397 S 3/2016 Seiders et al.
 9,346,076 B1 5/2016 Ford
 D761,618 S 7/2016 Lapsker
 D764,869 S 8/2016 Smrtnik et al.
 D772,651 S 11/2016 Leonard et al.
 D779,872 S 2/2017 Bergstrom
 D780,531 S 3/2017 Seiders et al.
 D789,737 S 6/2017 Eyal
 D795,020 S 8/2017 Seiders et al.
 D796,256 S 9/2017 Stover et al.
 D799,899 S 10/2017 Rummel et al.
 D801,746 S 11/2017 Thuma et al.
 D802,362 S 11/2017 Spivey et al.
 D803,619 S 11/2017 Seiders et al.
 D803,684 S 11/2017 Seiders et al.
 D804,905 S 12/2017 Seiders et al.
 D805,838 S 12/2017 Guthrie
 D807,701 S 1/2018 Bo
 D808,218 S 1/2018 Seiders et al.
 D814,240 S 4/2018 Kabalin
 2010/0288782 A1 11/2010 Lin
 2011/0114655 A1 * 5/2011 Bailey B65D 43/0214
 220/713
 2012/0125931 A1 5/2012 Roth et al.
 2013/0186918 A1 7/2013 Menceles et al.
 2014/0374418 A1 12/2014 Ouellette
 2015/0021345 A1 1/2015 Wu
 2015/0266597 A1 9/2015 Hertzog et al.
 2017/0273484 A1 9/2017 Spivey et al.

OTHER PUBLICATIONS

“Dunkin Donuts Stainless Steel Travel Mug”. Found online Mar. 9, 2017 at ebay.com. Page dated 2012. <http://www.ebay.com/...-Steel-Orange-Lid-Travel-Mug-Cup-Tumbler-Collectible-14z-/282119881890?>

roken=cUgayN&nma=true&si=vbBRUtUfjYDAX%252FF9%252BjwOhPV%252Fbio%253D&orig_cvip=true&rt=nc&_trksid=p2047675.12557.*

“Nutri Ninja Blender 24 oz Cup and Sip N Seal Lid”. Found online Aug. 14, 2018 at amazon.com. Page dated Oct. 29, 2015. Retrieved from https://www.amazon.com/UTF8&pd_rd_i=B017C5O1G4&pd_rd_r=4CQK27ABX6AHV038GMGF&pd_rd_w=jABEu&pd_rd_wg=zg0K2&psc=1&refRID=4CQK27ABX6AHV038GMGF.*

“Wazzala—Bamboo Eco Travel Mug”. Found online Aug. 14, 2018 at amazon.com. Page dated Apr. 3, 2016. Retrieved from https://www.amazon.com/Elegant-Reusable-Splash-Proof-Silicone-Included/dp/B01CKXX4VY/ref=sr_1_33?ie=UTF8&qid=1488839680&sr=8-33&keywords=travel+mug.*

U.S. Appl. No. 29/568,681, filed Jun. 20, 2016, by Roy Joseph Seiders, Andy Bondhus, Kyle Ellison, and Evan Goldberg.

U.S. Appl. No. 29/568,686, filed Jun. 20, 2016, by Roy Joseph Seiders, Andy Bondhus, Kyle Ellison, and Evan Goldberg.

U.S. Appl. No. 29/568,690, filed Jun. 20, 2016, by Roy Joseph Seiders, Andy Bondhus, Kyle Ellison, and Evan Goldberg.

U.S. Appl. No. 29/568,683, filed Jun. 20, 2016, by Roy Joseph Seiders, Andy Bondhus, Kyle Ellison, and Evan Goldberg.

U.S. Appl. No. 62/352,330, filed Jun. 20, 2016, by Derek G. Sullivan, Andy Bondhus, Even Goldberg.

U.S. Appl. No. 29/606,300, filed Jun. 2, 2017 by Roy Joseph Seiders.

U.S. Appl. No. 29/606,305, filed Jun. 2, 2017 by Roy Joseph Seiders.

U.S. Appl. No. 29/606,303, filed Jun. 2, 2017 by Roy Joseph Seiders.

U.S. Appl. No. 29/606,307, filed Jun. 2, 2017 by Roy Joseph Seiders.

U.S. Appl. No. 15/628,390, filed Jun. 20, 2017, by Derek G. Sullivan, Andy Bondhus, Evan Goldberg, and Roy Joseph Seiders.

U.S. Appl. No. 15/628,442, filed Jun. 20, 2017 by Derek G. Sullivan, Andy Bondhus, Evan Goldberg, and Roy Joseph Seiders.

Aug. 23, 2017—(WO) International Search and Written Opinion—App. PCT/US2017/038341.

Aug. 23, 2017—(WO) International Search Report and Written Opinion—App. PCT/US2017/038344.

“Bubba Brands Classic Insulated Travel Mug”. Found online Mar. 9, 2017 at amazon.com. Page dated Sep. 30, 2010. Retrieved from https://www.amazon.com/Bubba-Brands-1953403-Classic-Insulated/dp/B01FB71G8Y/ref=cm_cr_arp_d_product_top?ie=UTF8.

“Hydro Flask Wide Mouth Hydro Flip Lid”. Found online Mar. 9, 2017 at amazon.com. Page dated Oct. 9, 2012. Retrieved from http://www.amazon.com/Hydro-Flask-Wide-Mouth-Black/dp/B01GW2H430/ref=cm_cr_arp_d_product_top?ie=UTF8.

Hydro Flask. Hydro Flip. 2015 [earliest online date], [site visited Apr. 28, 2017]. Available from Internet, <URL:<https://www.hydroflask.com/hydro-flip#92=57>>.

“Bubba Hero Bottle Replacement Lid”. Found online Mar. 9, 2017 at amazon.com. Page dated Jan. 14, 2015. Retrieved from https://www.amazon.com/bubba-Hero-bottle-replacement-lid/dp/B00QQYDI44/ref=cm_cr_arp_d_product_top?ie=UTF8.

“Contigo Extreme Stainless Steel Travel Mug”. Found online Mar. 9, 2017 at amazon.com. Page dated Sep. 13, 2016. Retrieved from https://www.amazon.com/Contigo-Extreme-Stainless-Insulated-Limited/dp/B01LZGBMKT/ref=pd_sim_79_3?_encoding=UTF8&psc=&refRID=A4VHP8EG6AKH3BG73BMZ.

Jane. Spill Resistant Flip Lid and Yeti Accessories. Dec. 5, 2016 [earliest online date], [site visited Apr. 28, 2017]. Available from Internet, <URL:<https://jane.com/deal/263319/spill-resistant-flip-lid-and-yeti-accessories-30oz-many-colors>>.

* cited by examiner

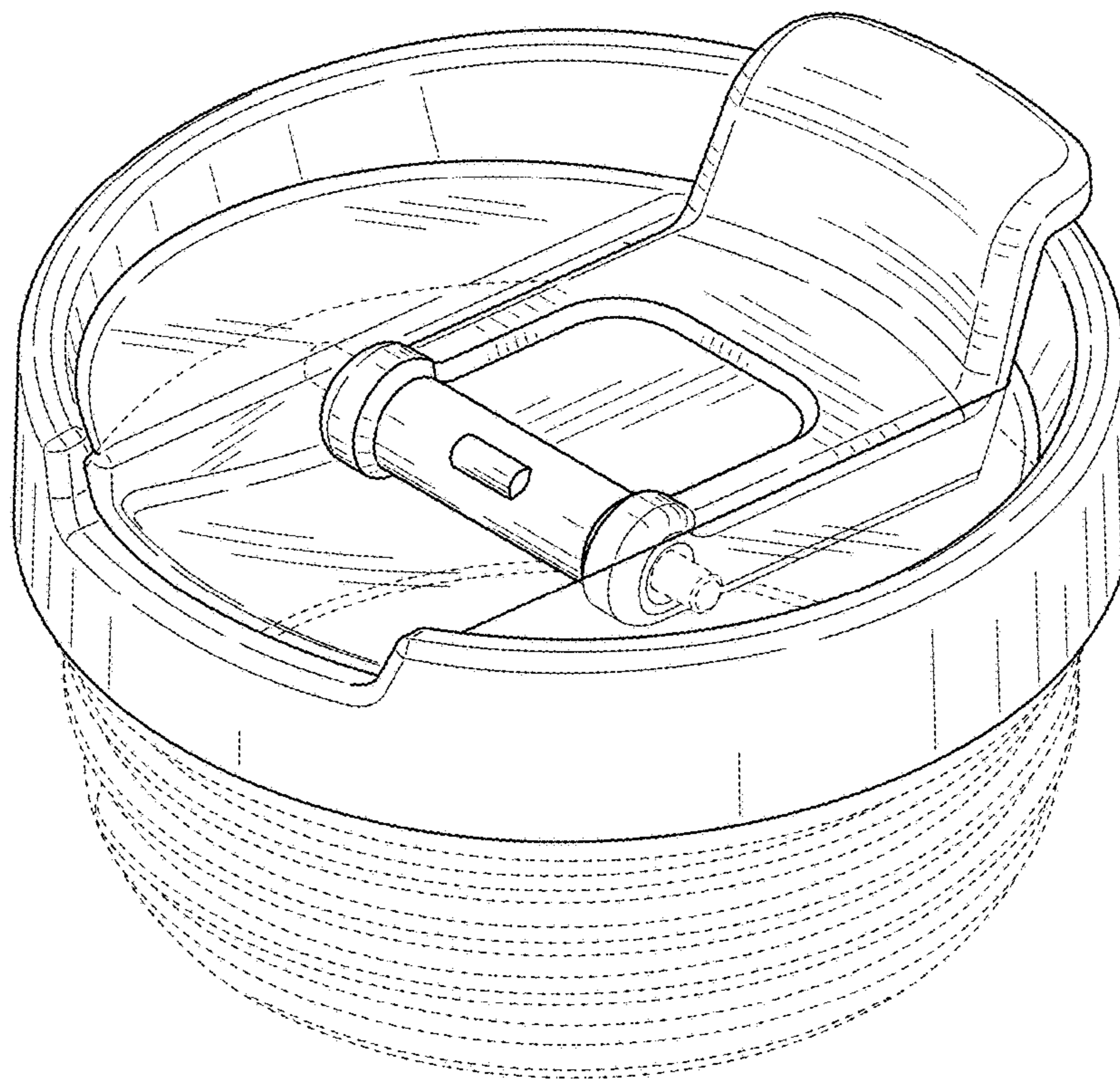


FIG. 1

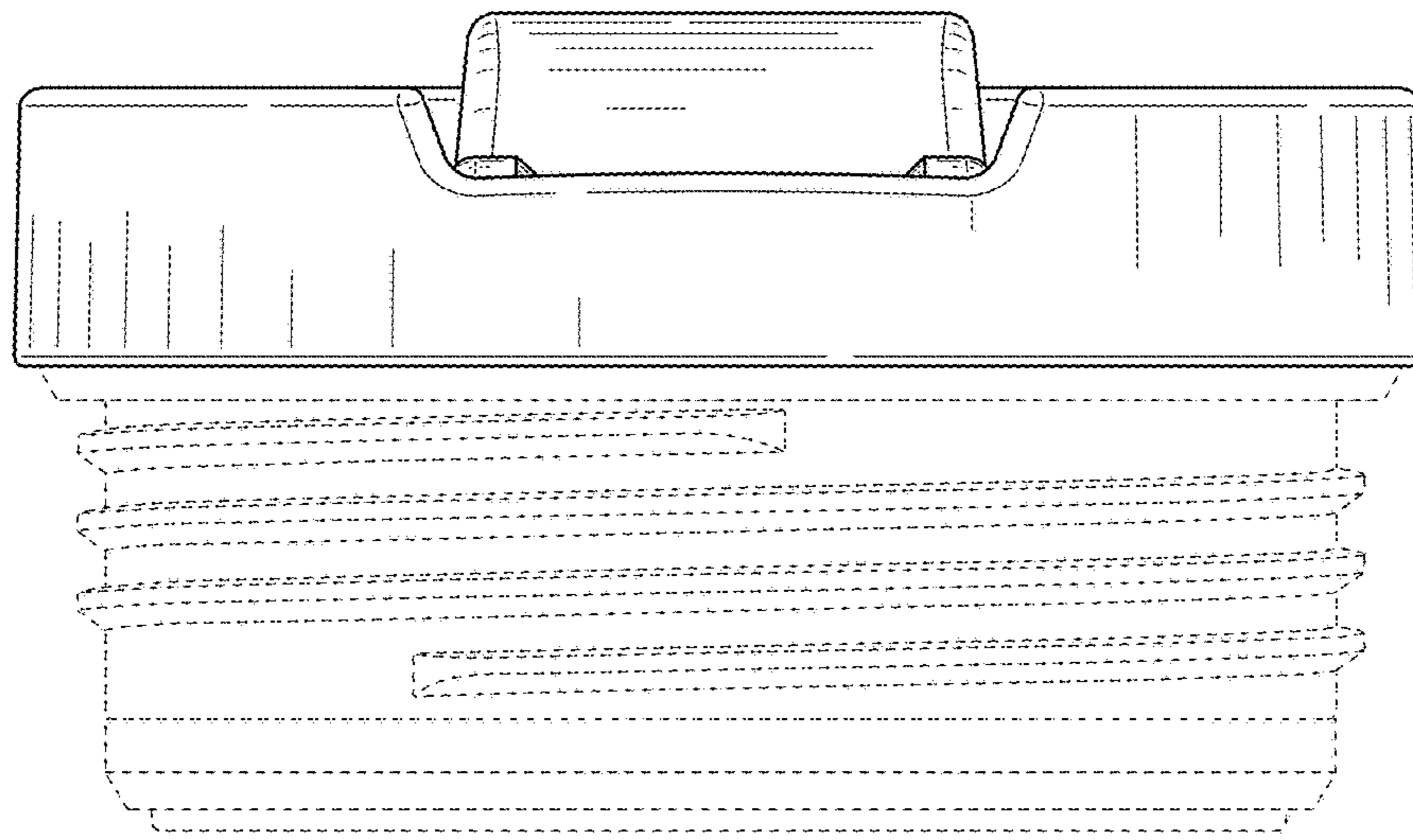


FIG. 2

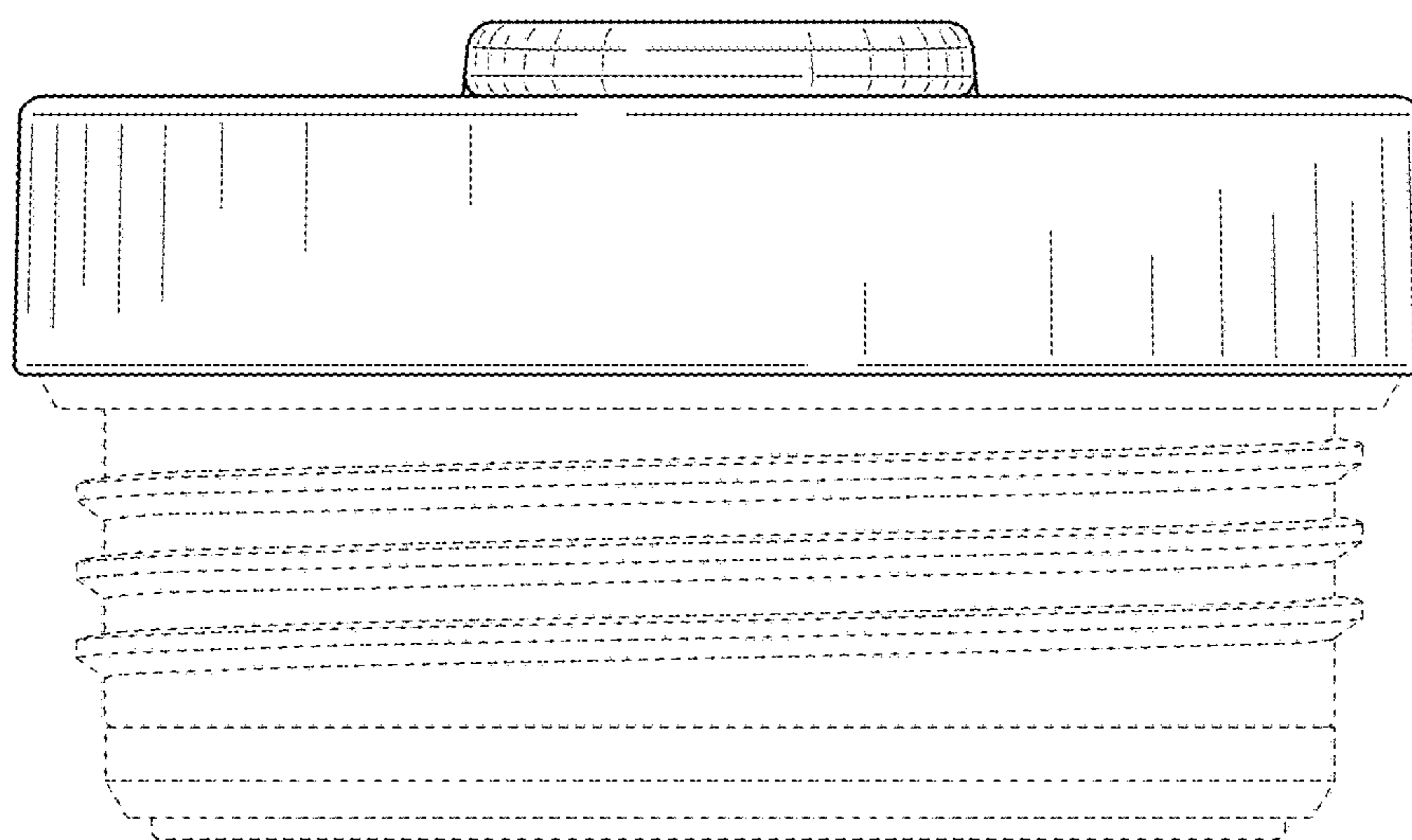


FIG. 3

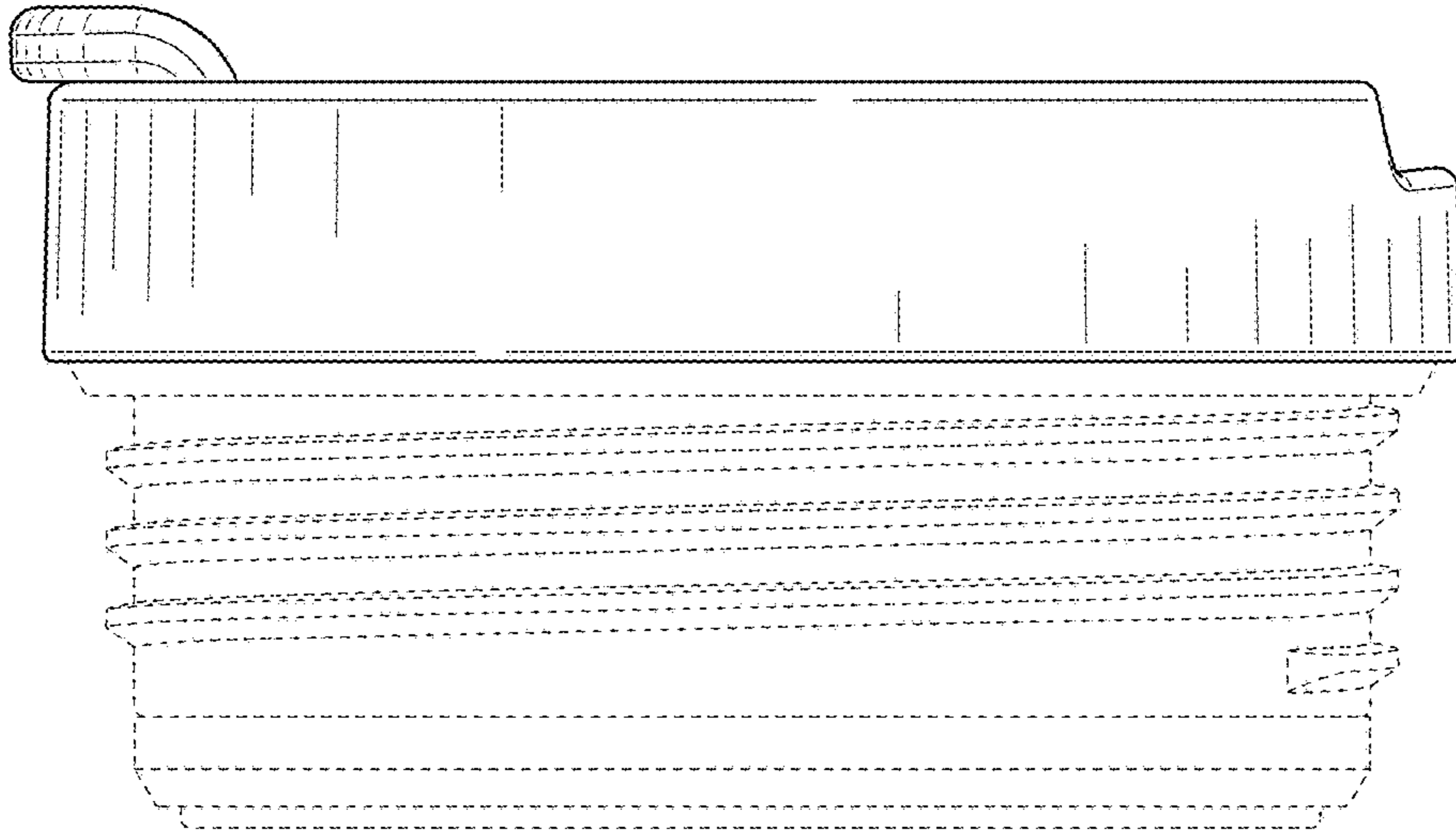


FIG. 4

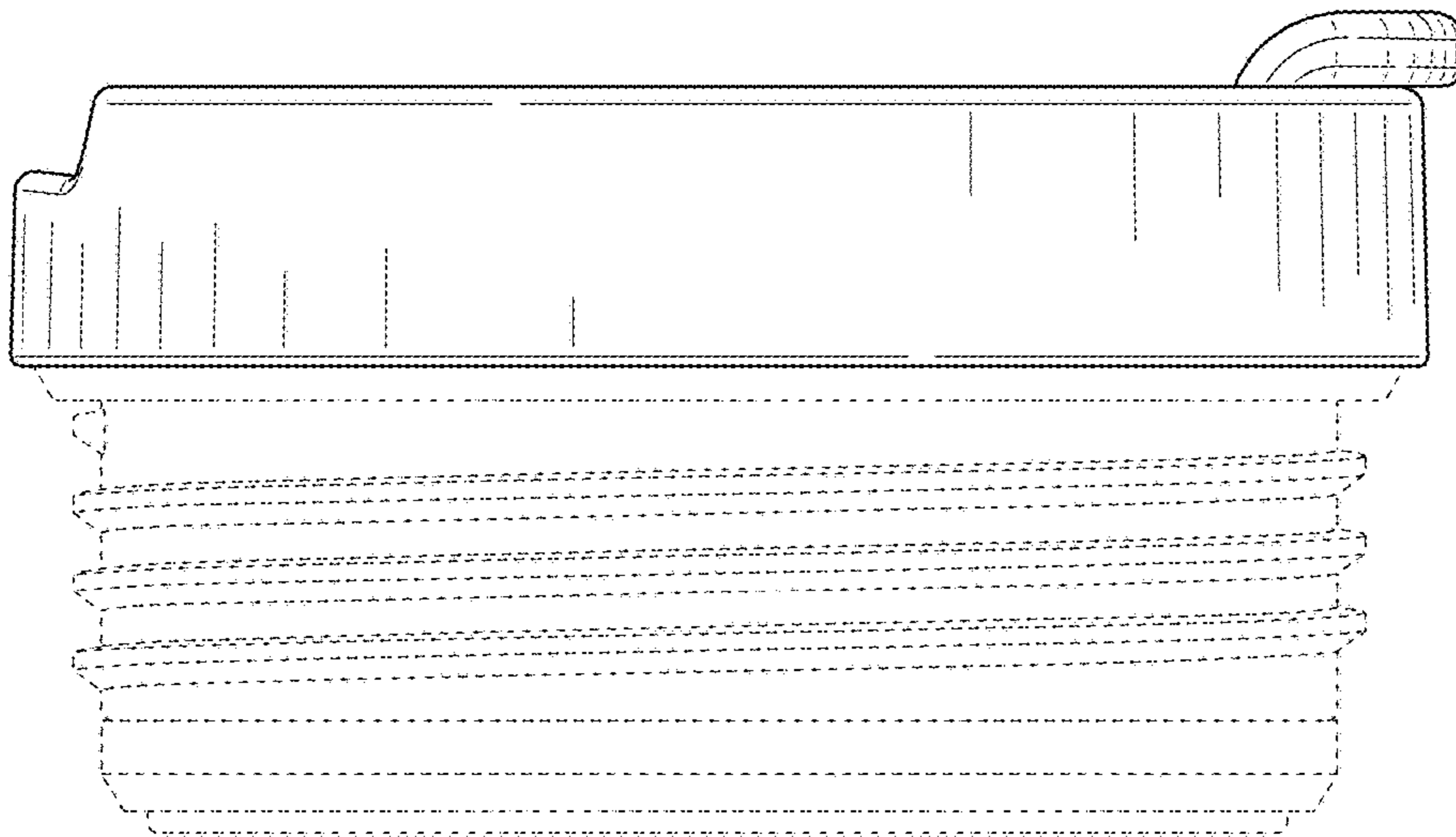


FIG. 5

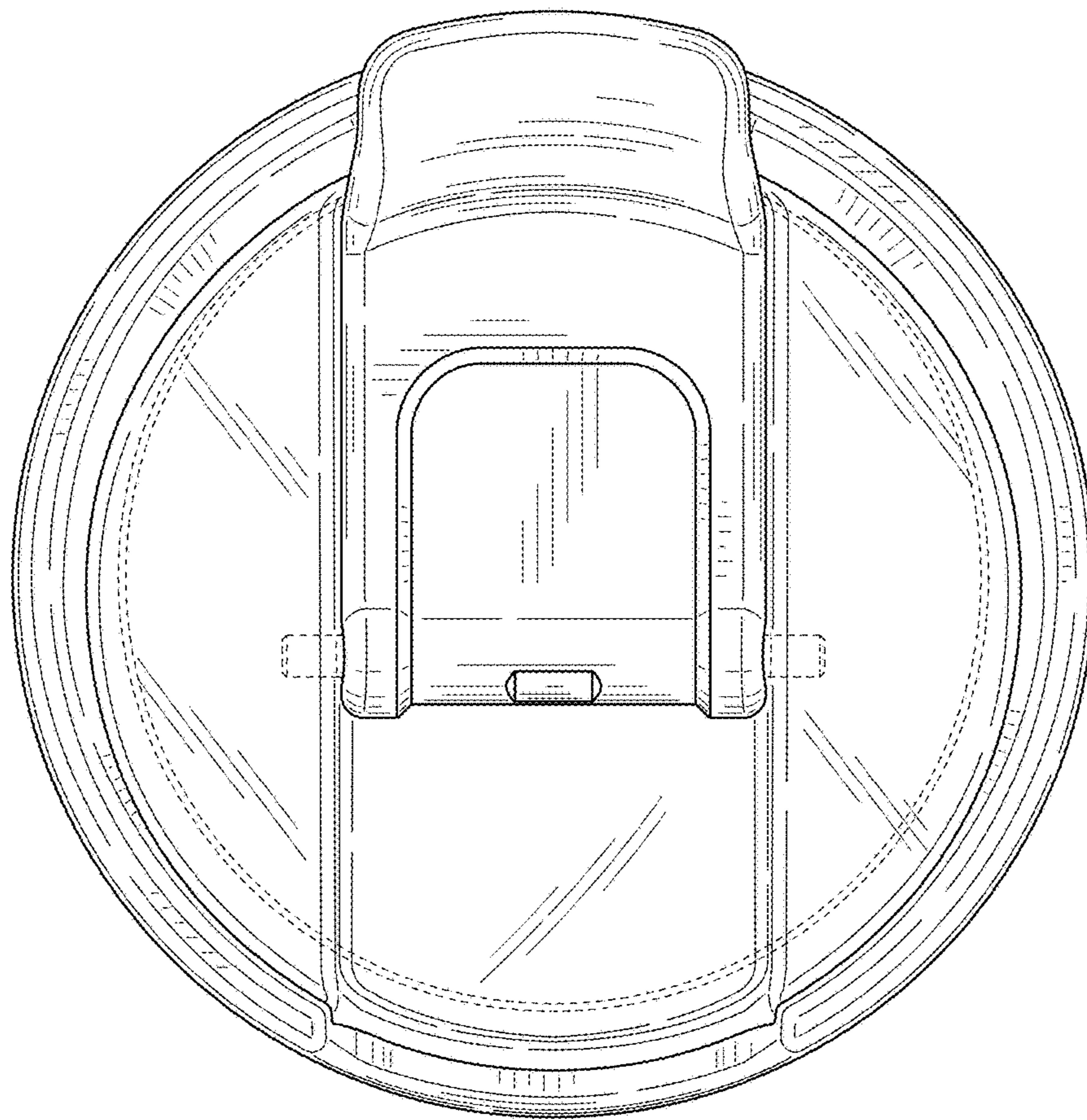


FIG. 6

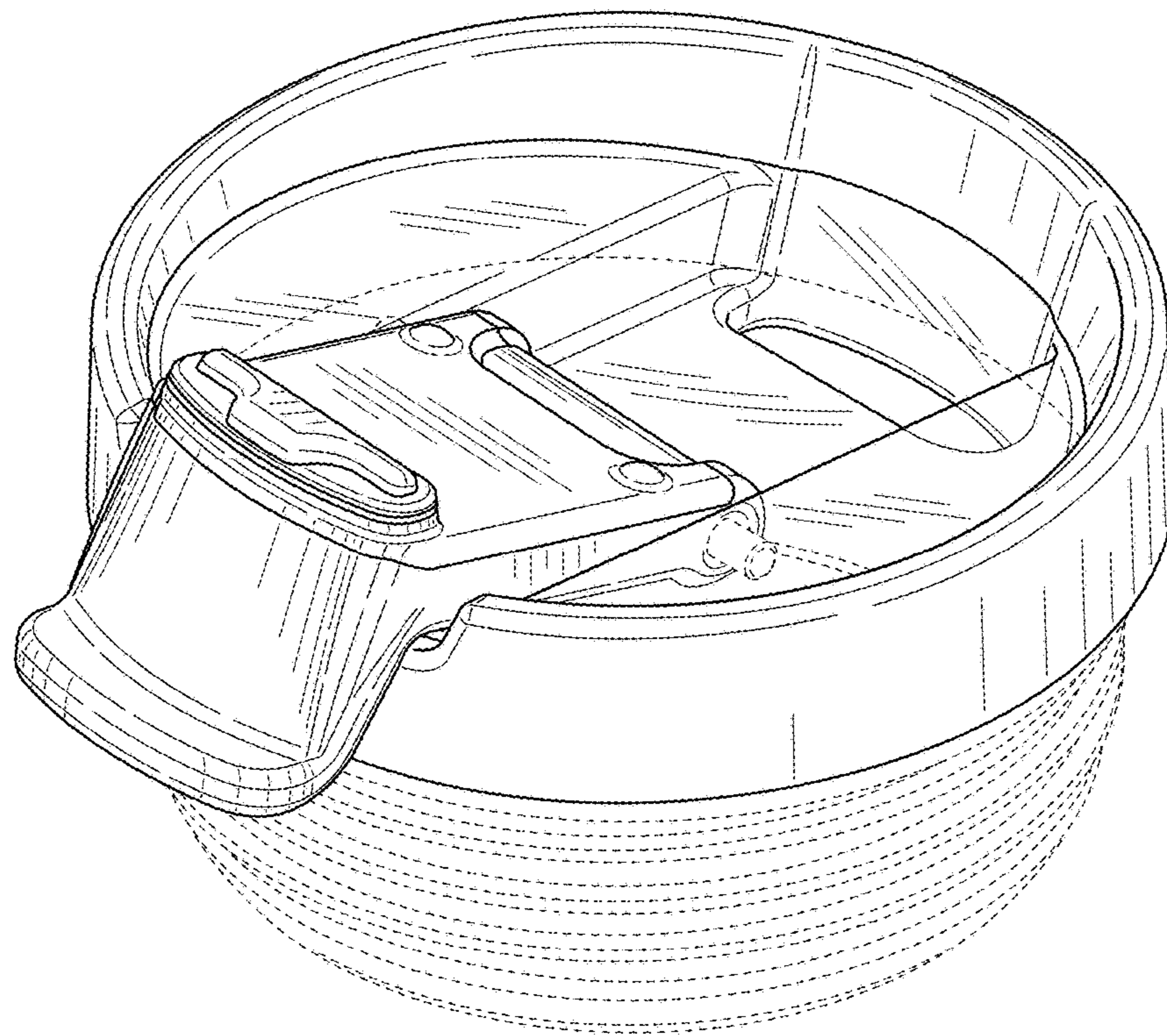


FIG. 7

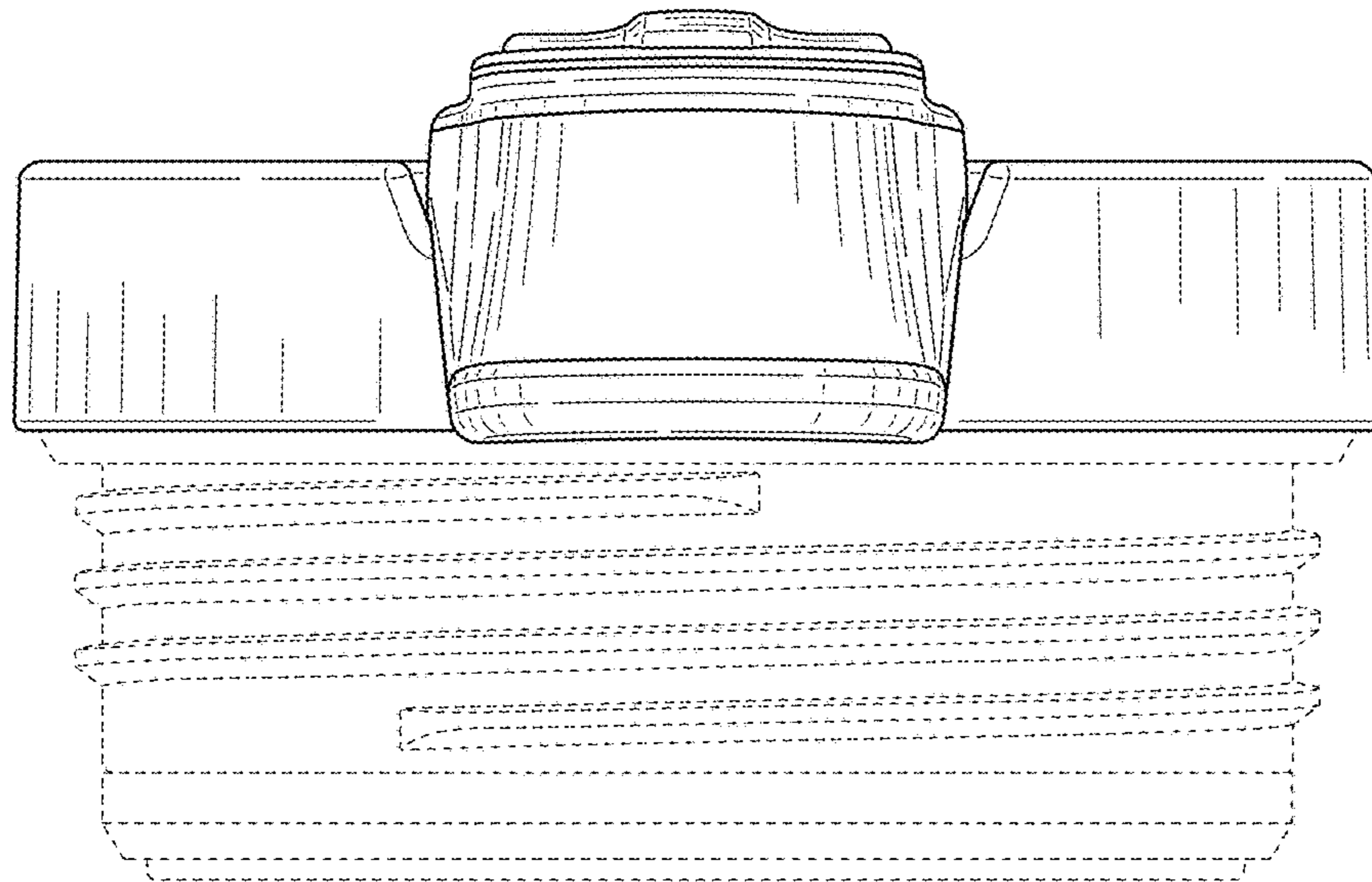


FIG. 8

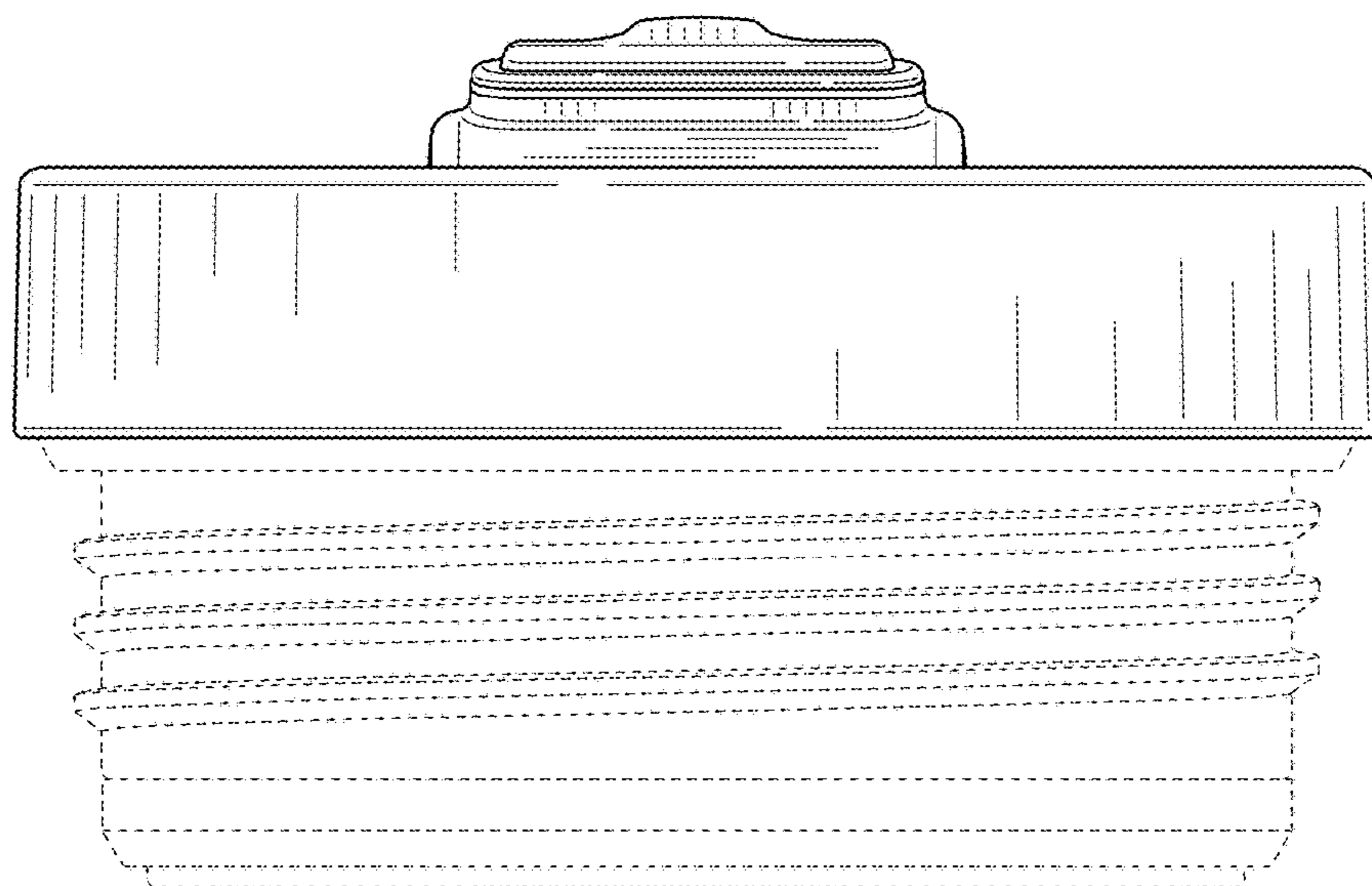


FIG. 9

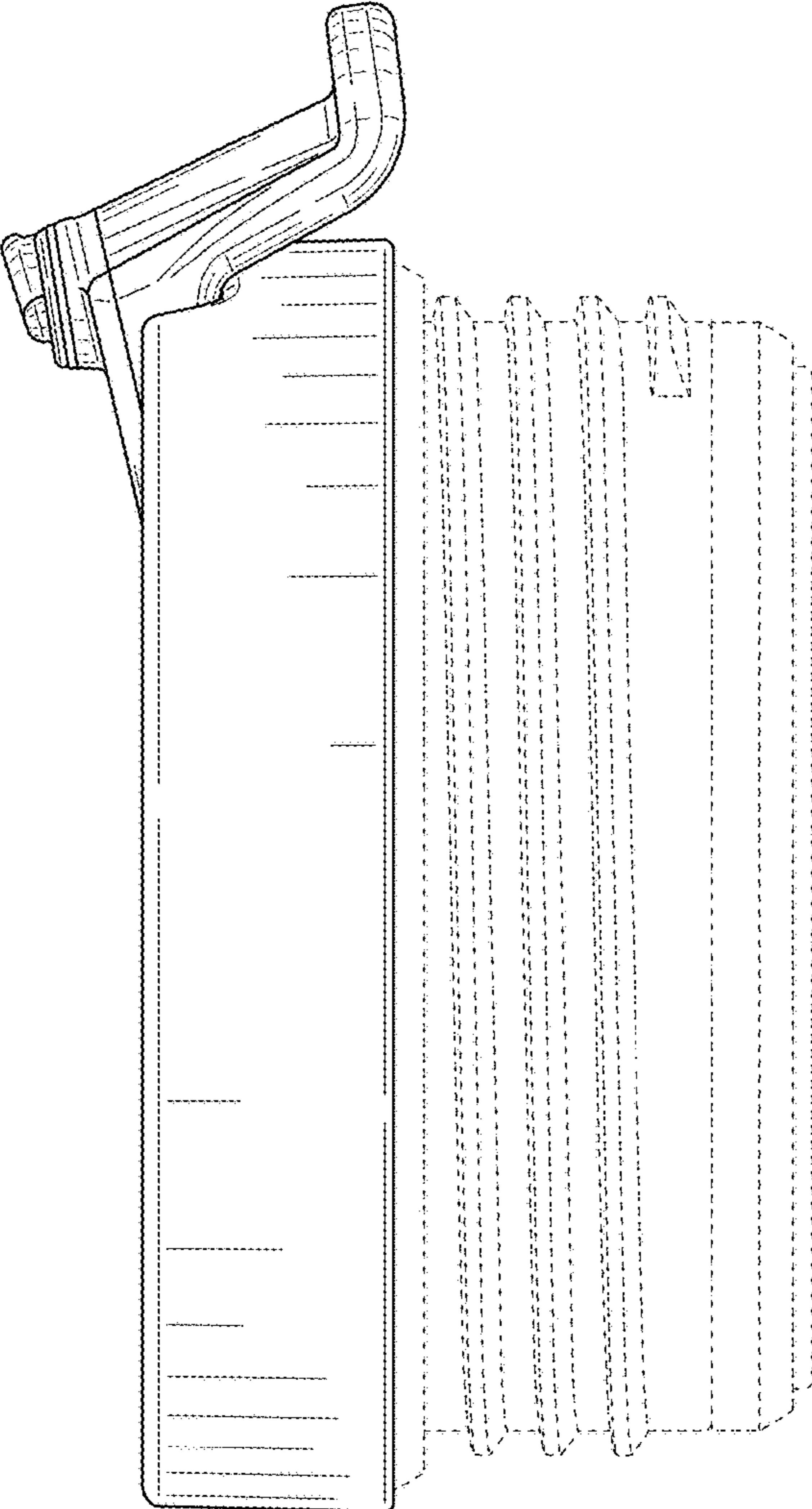


FIG. 10

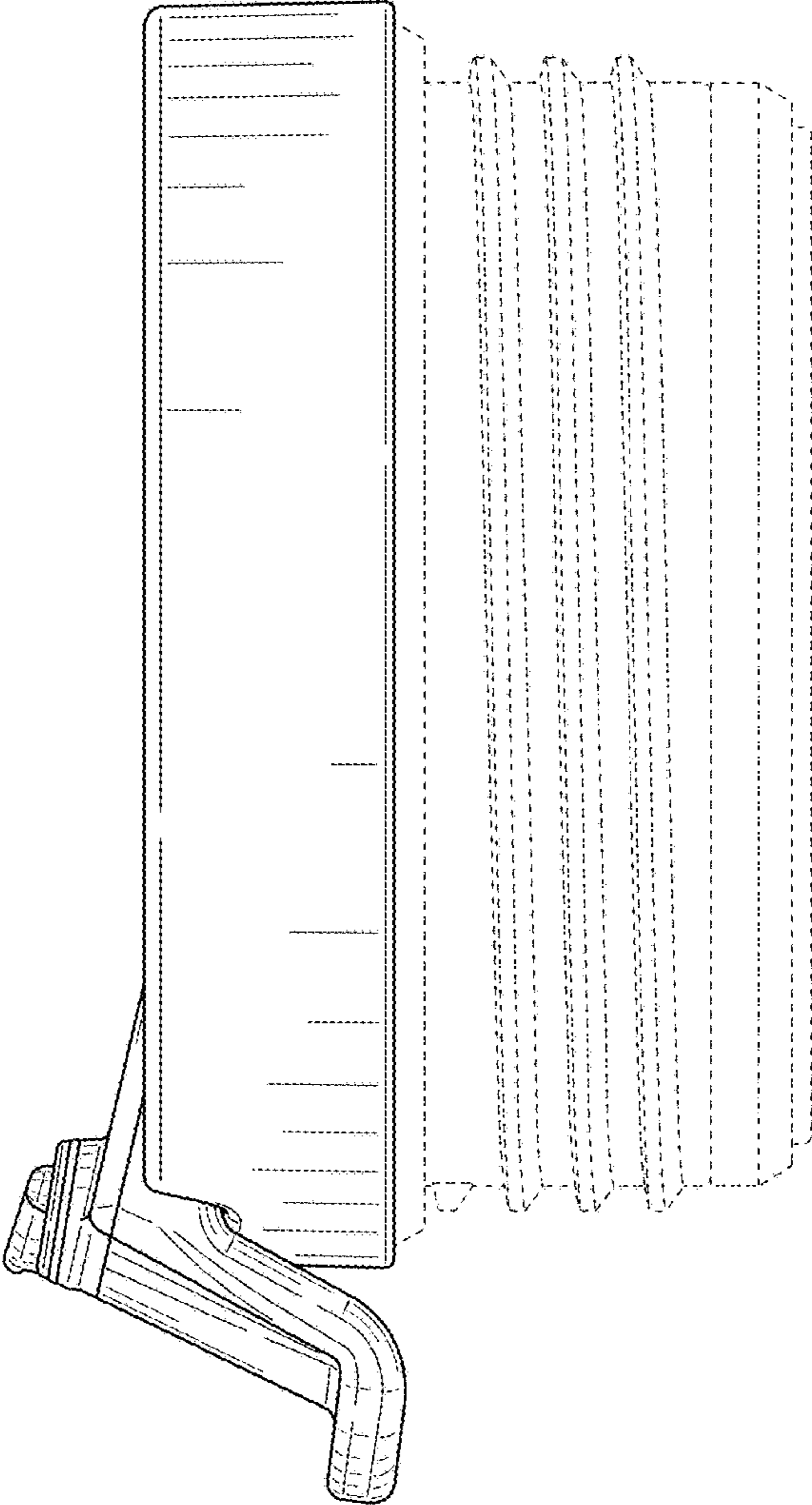


FIG. 11

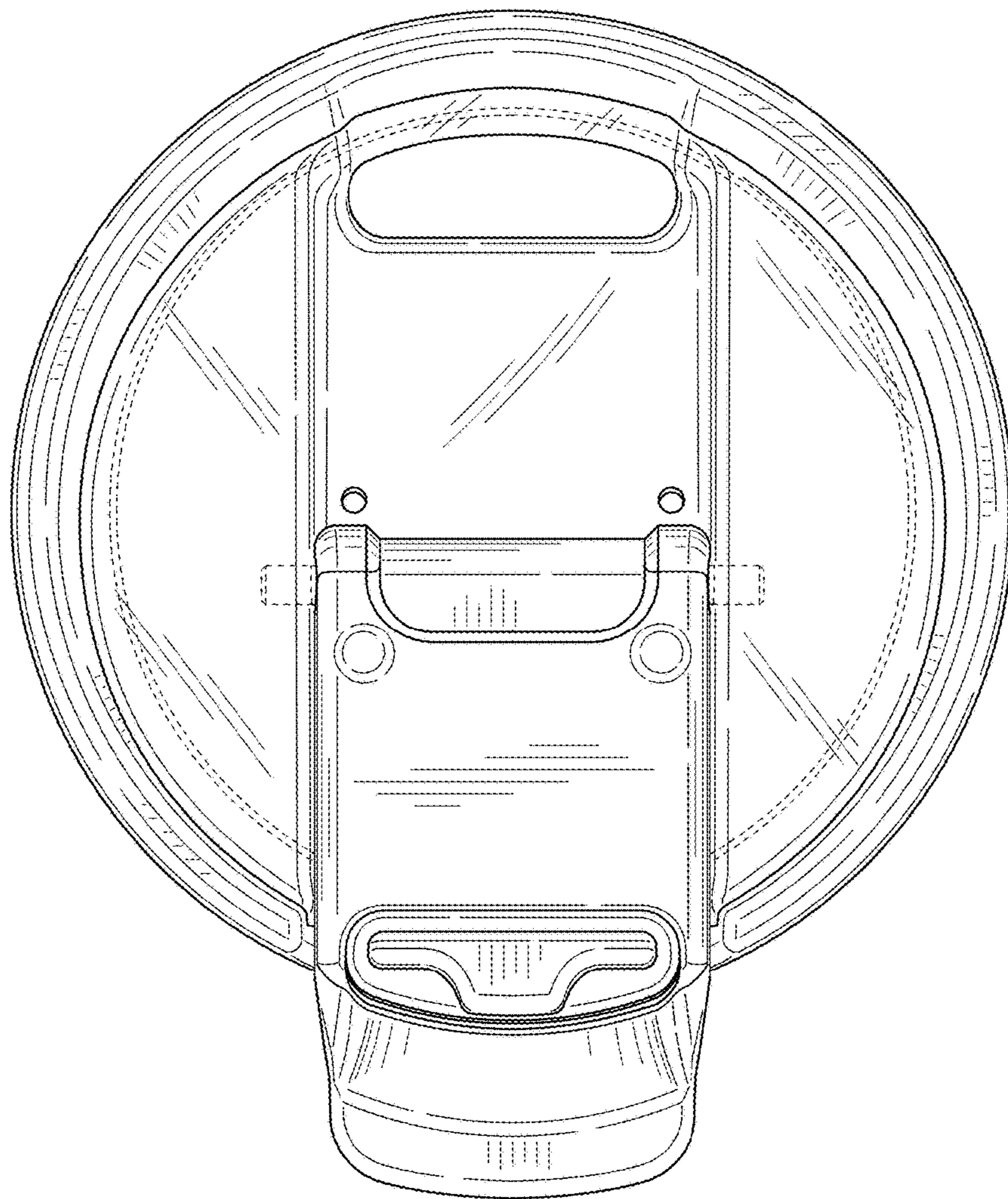


FIG. 12

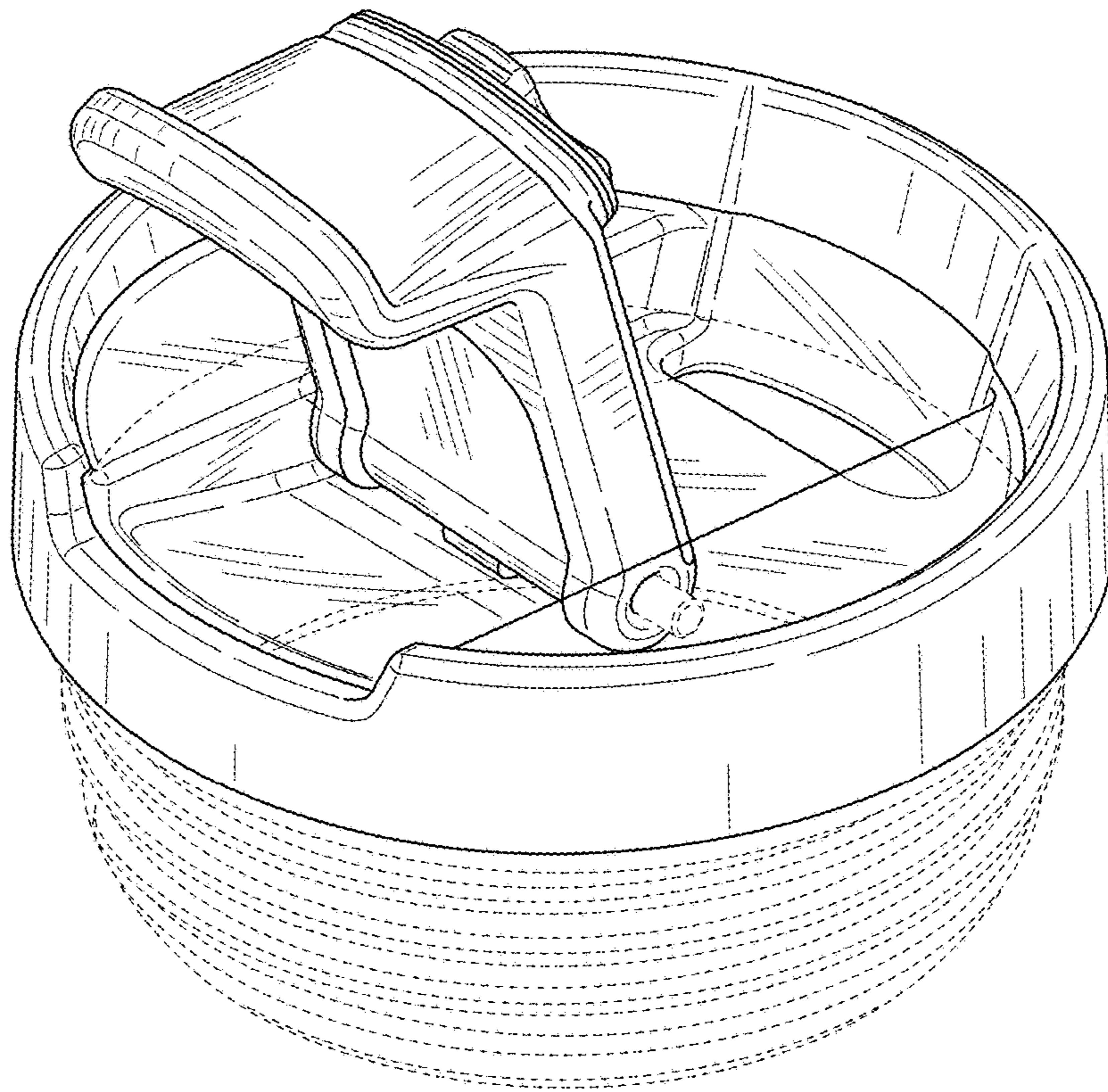


FIG. 13