



US00D861413S

(12) **United States Design Patent** (10) **Patent No.:** **US D861,413 S**
Bazzicalupo et al. (45) **Date of Patent:** **** Oct. 1, 2019**

(54) **BLENDER**
(71) Applicant: **SMEG S.P.A.**, Guastalla (IT)
(72) Inventors: **Leopoldo Bazzicalupo**, Sale Marasino (IT); **Raffaella Mangiarotti**, Milan (IT)
(73) Assignee: **SMEG S.P.A.** (IT)
(**) Term: **15 Years**
(21) Appl. No.: **35/504,411**
(22) Filed: **Aug. 3, 2017**
(80) **Hague Agreement Data**
Int. Filing Date: **Aug. 3, 2017**
Int. Reg. No.: **DM/098474**
Int. Reg. Date: **Aug. 3, 2017**
Int. Reg. Pub. Date: **Feb. 9, 2018**

D506,102 S * 6/2005 Ikegaki D7/376
D510,837 S * 10/2005 Lloyd D7/376
D527,582 S * 9/2006 Wilson D7/368
D533,022 S * 12/2006 Piret D7/379
D534,032 S * 12/2006 Lloyd D7/380
D589,742 S * 4/2009 Ferraby D7/380
D614,438 S * 4/2010 Fukasawa D7/376
D623,009 S * 9/2010 Bodum D7/376
D638,656 S * 5/2011 Brinckerhoff D7/376
D644,479 S * 9/2011 Lownds D7/376
D645,306 S * 9/2011 Lownds D7/376
D649,394 S * 11/2011 Grabes D7/376
D651,041 S * 12/2011 Bachmann D7/376
D651,846 S * 1/2012 Roseby D7/376
D660,641 S * 5/2012 Hoare D7/376
D662,765 S * 7/2012 Grabes D7/376
D663,573 S * 7/2012 Nordwall D7/376
D667,682 S * 9/2012 Agren D7/376
D668,099 S * 10/2012 Ferraby D7/376
D668,911 S * 10/2012 Bachmann D7/376
D681,391 S * 5/2013 Agren D7/376
D691,412 S * 10/2013 Ragot D7/376
D699,074 S * 2/2014 Morrison D7/376
D703,481 S * 4/2014 Lownds D7/376

(Continued)

(30) **Foreign Application Priority Data**
Feb. 3, 2017 (EM) 003738285
(51) **LOC (12) Cl.** **31-00**
(52) **U.S. Cl.**
USPC **D7/379**
CPC **A47J 43/04** (2013.01)
(58) **Field of Classification Search**
USPC D7/376-380, 412, 413
CPC A47J 2043/04427; A47J 43/0711; A47J
43/0722; A47J 2043/04409; B01F 13/002;
B01F 15/00538
See application file for complete search history.

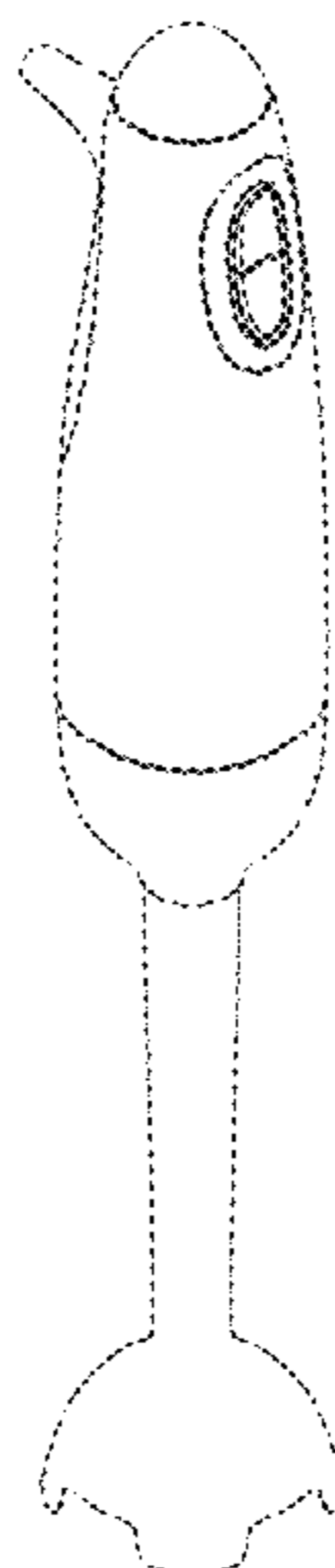
Primary Examiner — Richard E Chilcot
(74) *Attorney, Agent, or Firm* — The Belles Group, P.C.

(56) **References Cited**
U.S. PATENT DOCUMENTS
D361,241 S * 8/1995 Littmann D7/376
D437,184 S * 2/2001 Cruz D7/379
D456,206 S * 4/2002 Feil D7/376
D485,729 S * 1/2004 Patton D7/376
D494,410 S * 8/2004 Stuart D7/379

(57) **CLAIM**
The ornamental design for a blender, as shown and described.

DESCRIPTION
1. Blender
1.1 : Front, side perspective
1.2 : Front elevation
1.3 : Rear elevation
1.4 : Left side elevation
1.5 : Right side elevation
1.6 : Top plan
1.7 : Bottom plan
The broken lines in the drawings illustrate portions of the article that form no part of the claimed design.

1 Claim, 7 Drawing Sheets



(56)

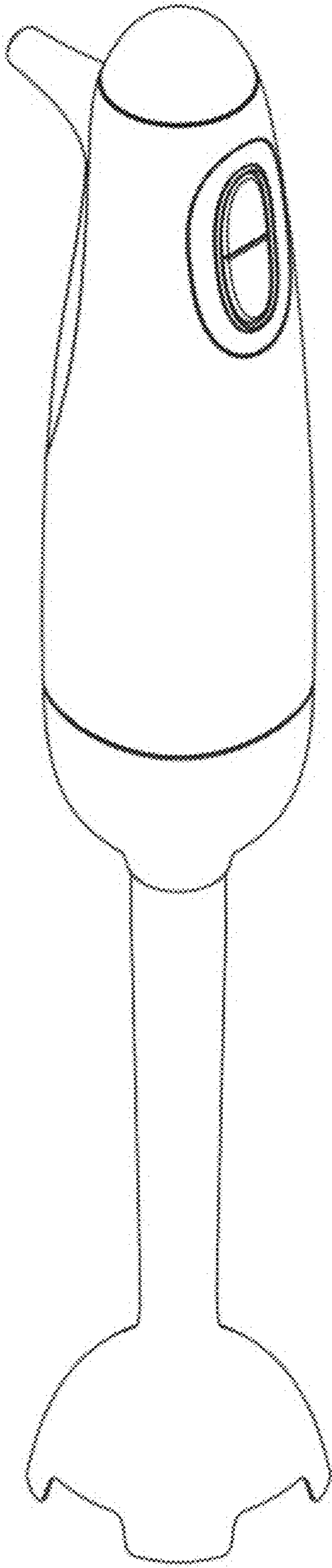
References Cited

U.S. PATENT DOCUMENTS

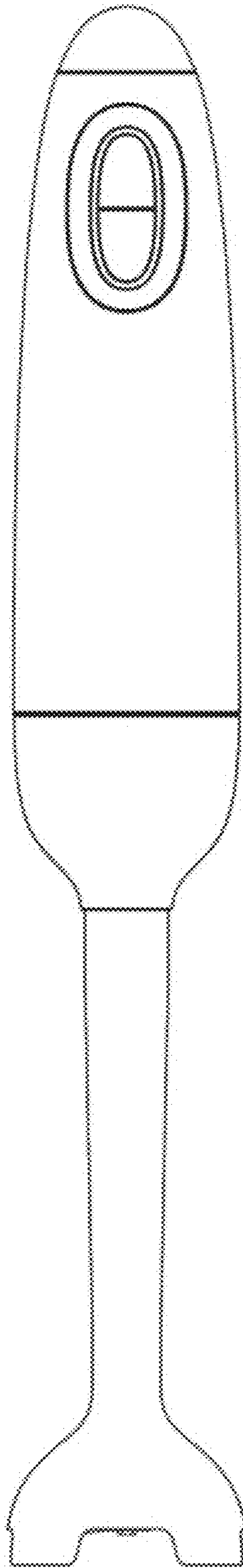
D724,373 S *	3/2015	Ji	D7/376
D724,374 S *	3/2015	Sanguinetti	D7/376
D726,496 S *	4/2015	Vu	D7/376
D730,689 S *	6/2015	Bodum	D7/412
D731,236 S *	6/2015	Yin	D7/376
D751,858 S *	3/2016	Zhang	D7/378
D756,166 S *	5/2016	Lee	D7/376
D783,339 S *	4/2017	Mullen	D7/376
D793,802 S *	8/2017	Thomas	D7/376
D803,618 S *	11/2017	Blazquez	D7/379
D805,345 S *	12/2017	Ho	D7/380
D808,211 S *	1/2018	Vu	D7/376
D809,331 S *	2/2018	Blazquez	D7/379
D817,081 S *	5/2018	Verbrugge	D7/379

* cited by examiner

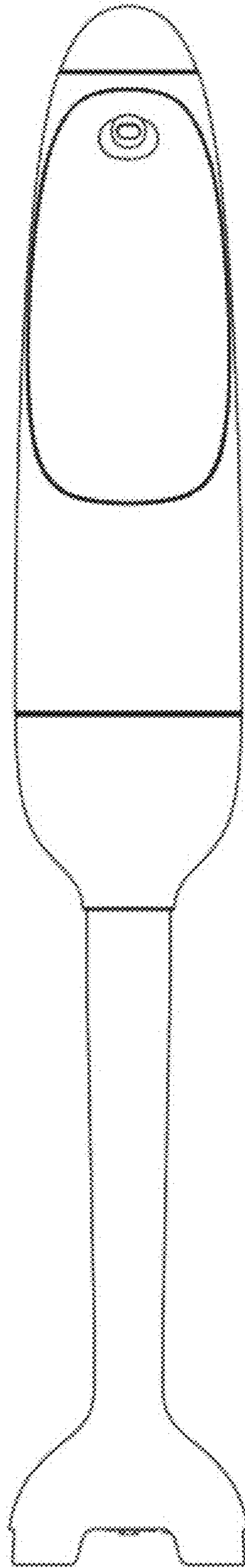
1.1



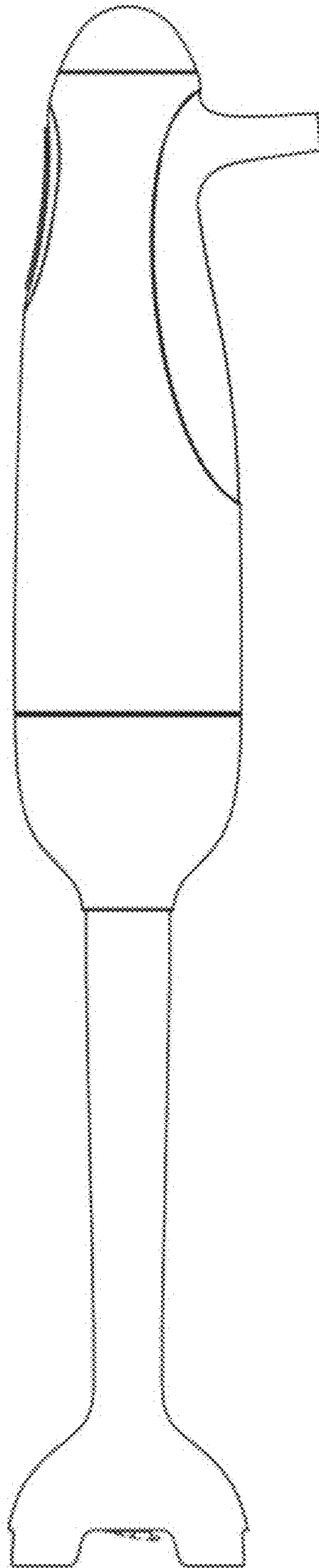
1.2



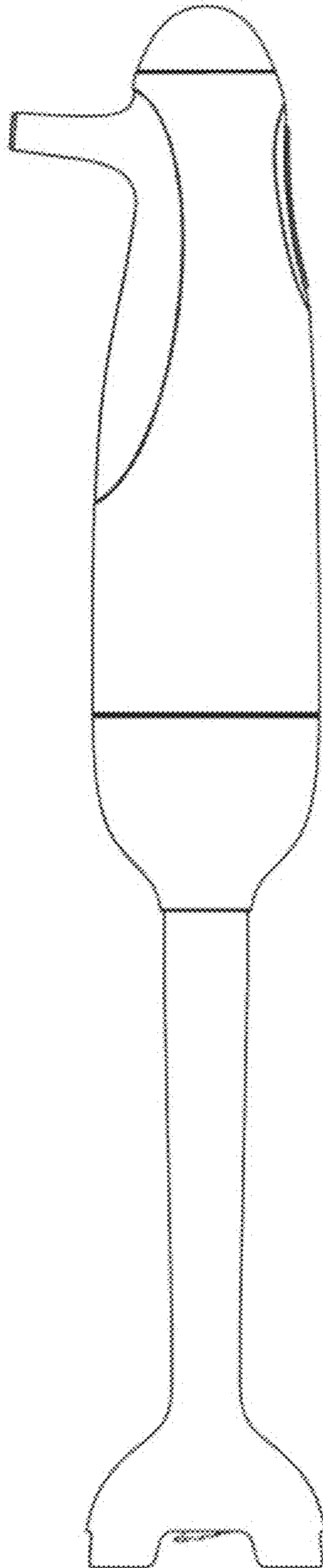
1.3



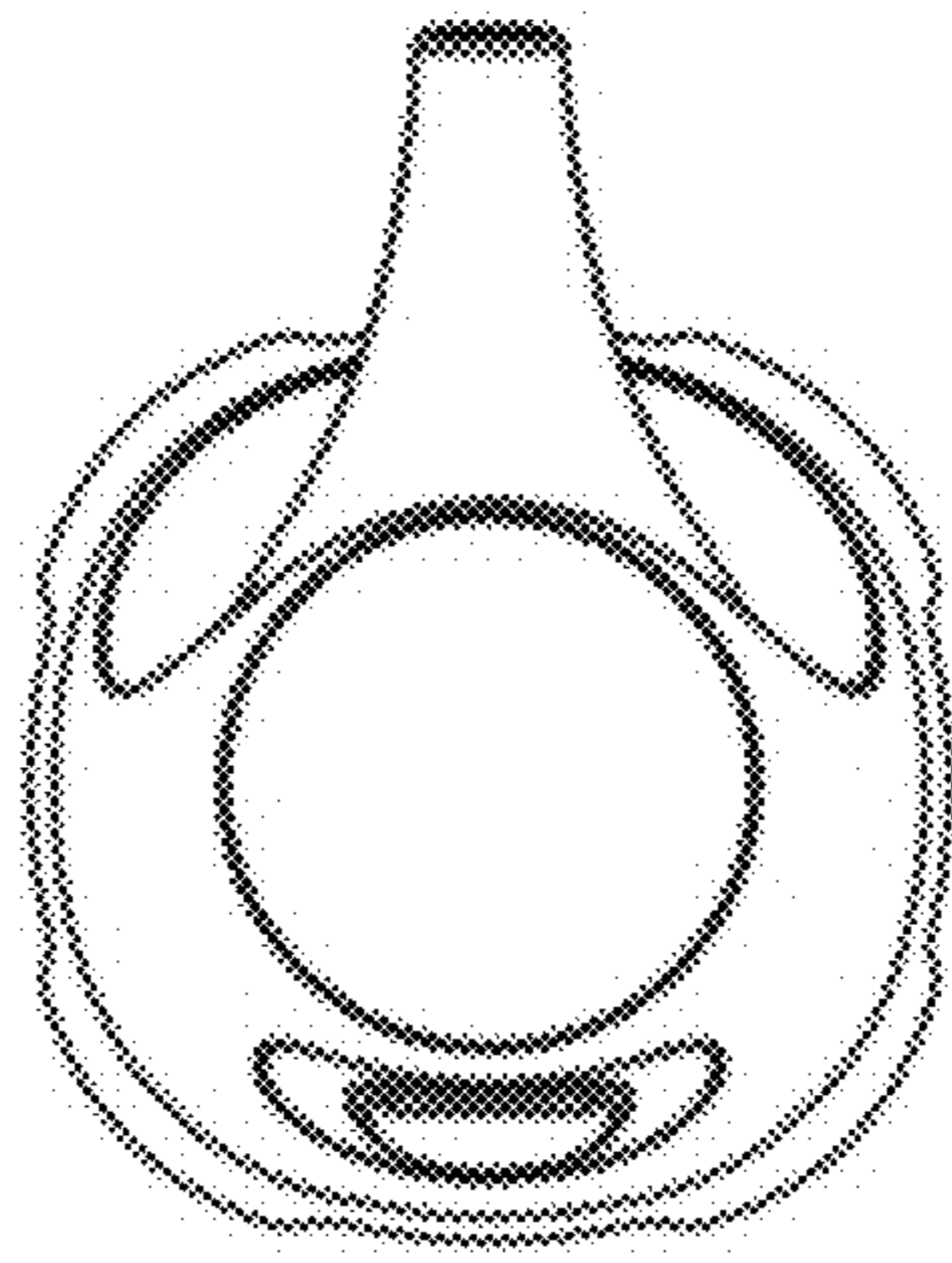
1.4



1.5



1.6



1.7

