



US00D861412S

(12) **United States Design Patent** (10) **Patent No.:** **US D861,412 S**
Yang et al. (45) **Date of Patent:** **** Oct. 1, 2019**

(54) **PRESSURE COOKER**

(56) **References Cited**

(71) Applicant: **ETEK CITY CORPORATION**,
Anaheim, CA (US)
(72) Inventors: **Lin Yang**, Shenzhen (CN); **Hai Yang**,
Shenzhen (CN)
(**) Term: **15 Years**
(21) Appl. No.: **29/669,032**
(22) Filed: **Nov. 5, 2018**

U.S. PATENT DOCUMENTS

D635,818	S	*	4/2011	Tse	D7/354
D697,363	S	*	1/2014	Tu	D7/354
D698,595	S	*	2/2014	Kunz	D7/354
D701,416	S	*	3/2014	Day	D7/354
D802,987	S	*	11/2017	Corlay	H05B 1/0266
						D7/358
D820,631	S	*	6/2018	Ye	D7/357
D830,106	S	*	10/2018	Zhang	D7/357
D832,024	S	*	10/2018	Wessels	D7/354
D833,202	S	*	11/2018	Yang	D7/358
D833,802	S	*	11/2018	Yang	D7/357
D838,546	S	*	1/2019	Wang	D7/406
2012/0288595	A1	*	11/2012	Randall	H05B 1/0266
						426/231
2016/0198883	A1	*	7/2016	Wang	A47J 27/08

Related U.S. Application Data

(62) Division of application No. 29/615,936, filed on Aug. 31, 2017, now Pat. No. Des. 846,335.

* cited by examiner

Primary Examiner — Ricky Pham

(30) **Foreign Application Priority Data**

Mar. 3, 2017 (CN) 2017 3 0058474

(74) *Attorney, Agent, or Firm* — Tsz Lung Yeung

(51) **LOC (12) Cl.** **07-02**

(57) **CLAIM**

(52) **U.S. Cl.**

The ornamental design for a pressure cooker, as shown and described.

USPC **D7/358**; D7/354; D7/360

DESCRIPTION

(58) **Field of Classification Search**

USPC D7/323, 354–361, 368, 391, 393, 406

FIG. 1 is a perspective view of a pressure cooker showing our new design;

CPC A47J 27/00; A47J 27/004; A47J 27/08;

FIG. 2 is a front view thereof;

A47J 27/0802; A47J 27/0804; A47J

FIG. 3 is a rear view thereof;

27/0811; A47J 27/0813; A47J 27/0815;

FIG. 4 is a left end view thereof;

A47J 27/0817; A47J 27/084; A47J 27/09;

FIG. 5 is a right end view thereof;

A47J 27/092; A47J 36/025; A47J 36/06;

FIG. 6 is a top view thereof;

A47J 37/12; A47J 37/1204; A47J

FIG. 7 is a bottom view thereof; and,

37/1209; A47J 45/07; A47J 45/071; A47J

FIG. 8 is a bottom perspective view thereof.

45/074; A47J 45/08; B01D 2201/345;

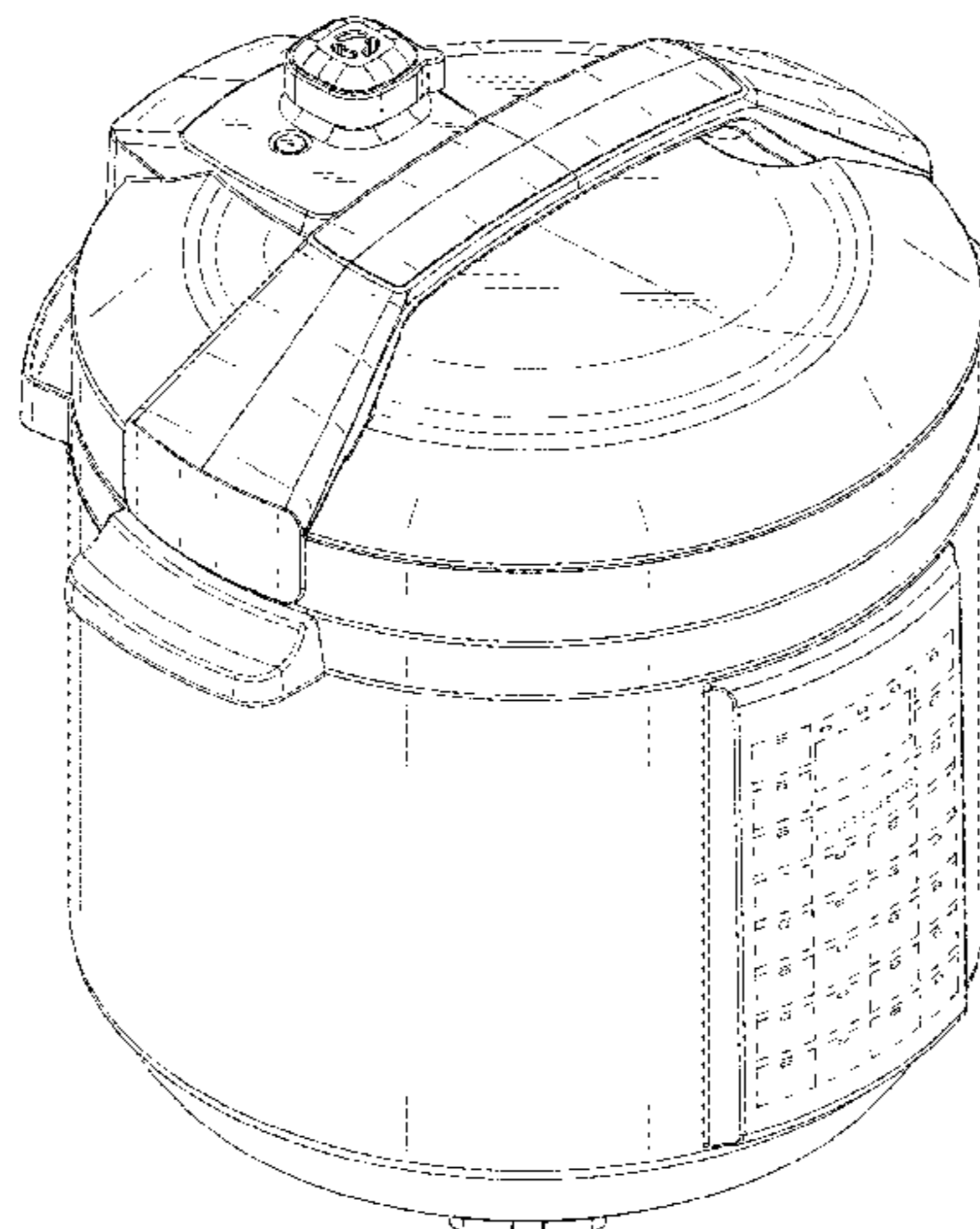
B01J 3/03; B01J 3/04; F01P 2011/0247;

F01P 2011/0252; H05B 1/0266; H05B

6/00; H05B 6/02; H05B 6/06

See application file for complete search history.

1 Claim, 8 Drawing Sheets



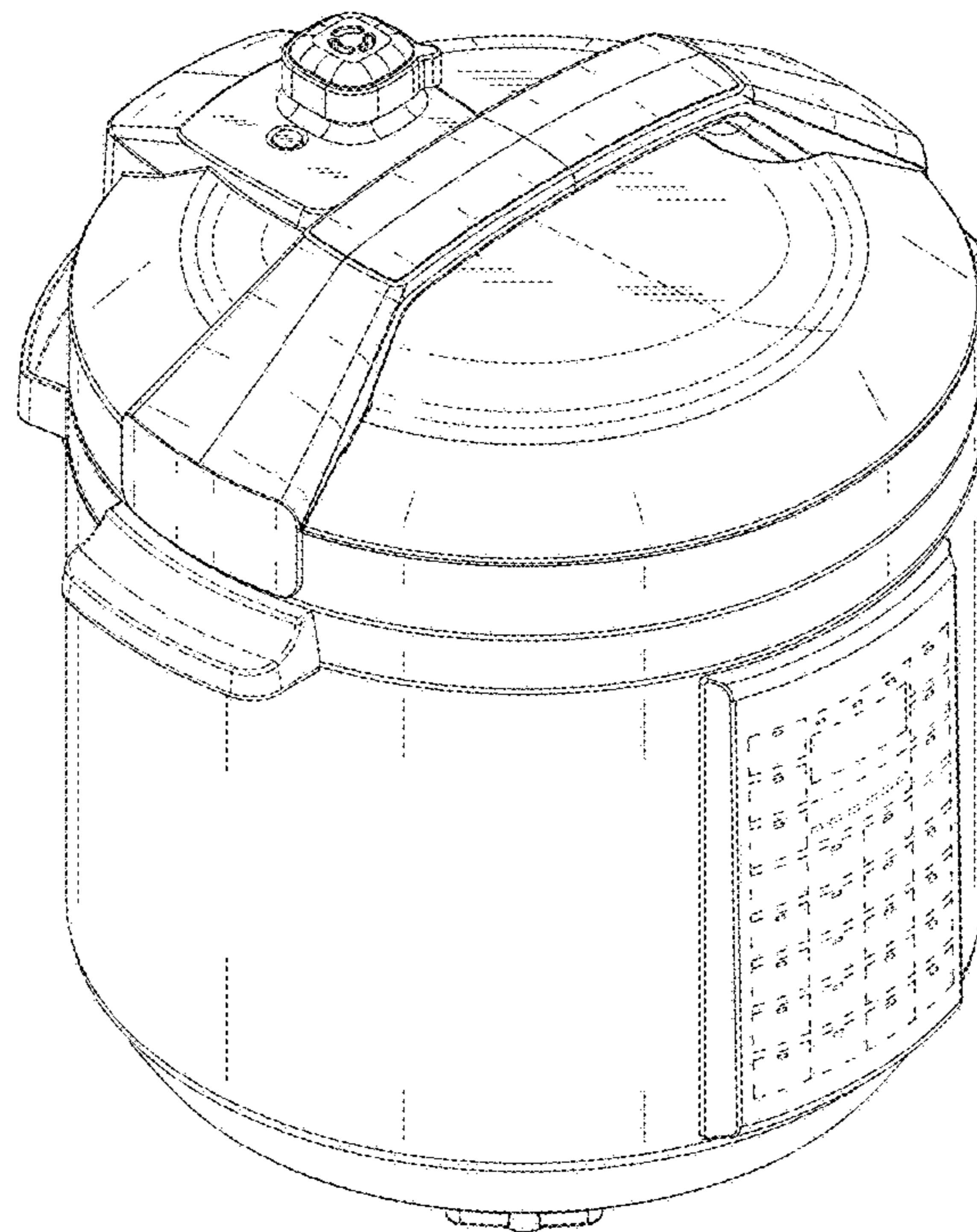


FIG. 1

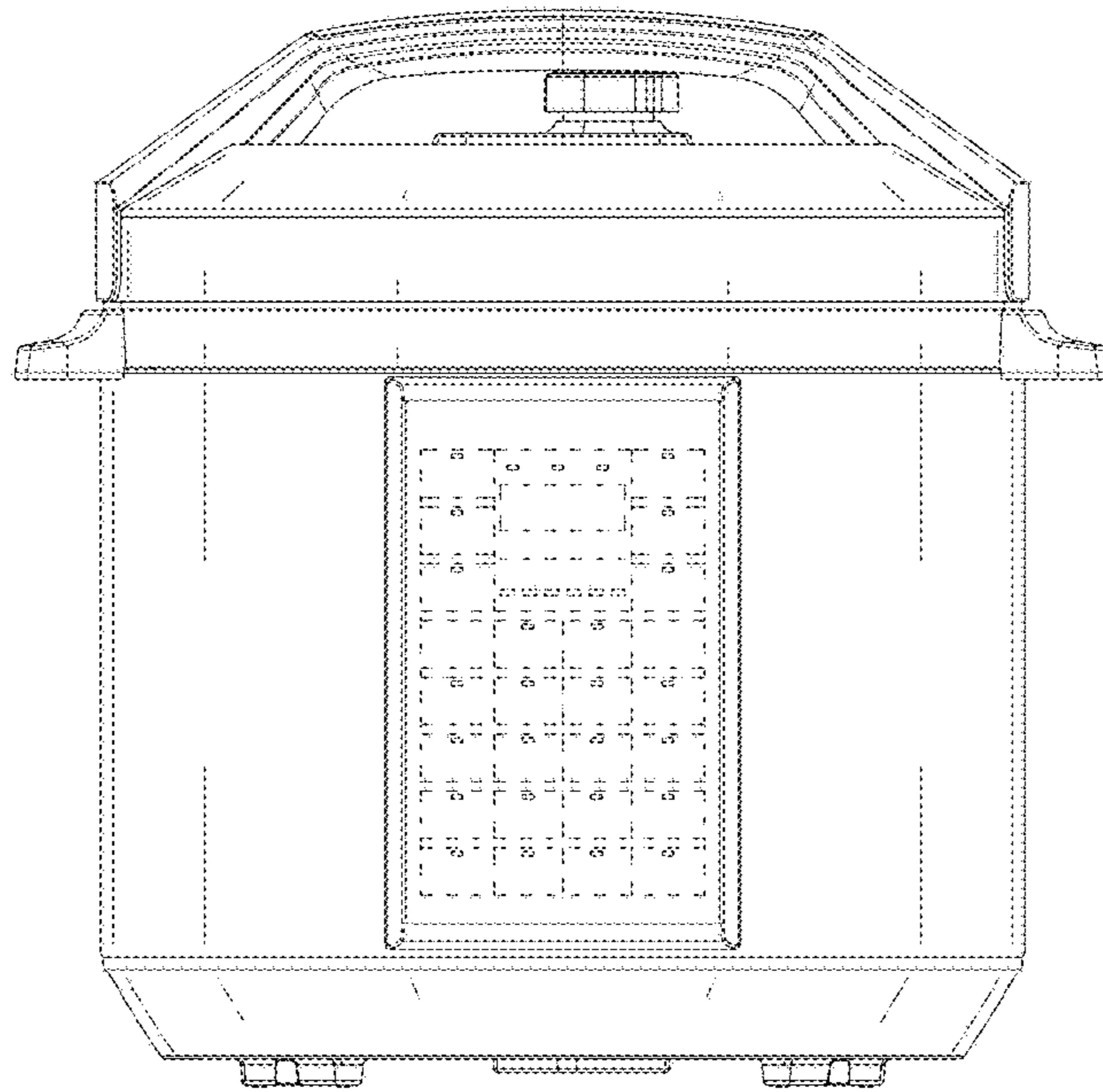


FIG. 2

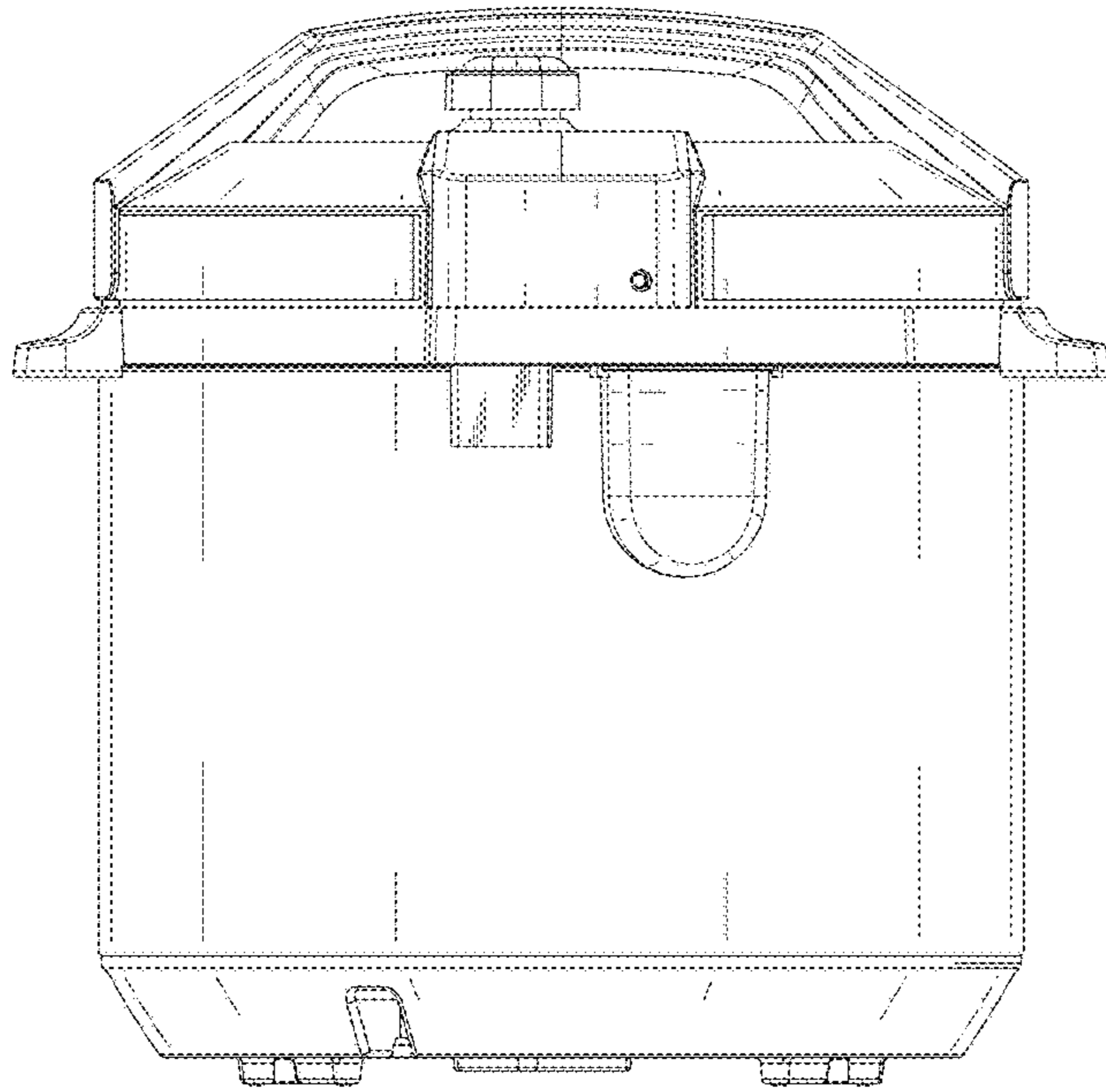


FIG. 3

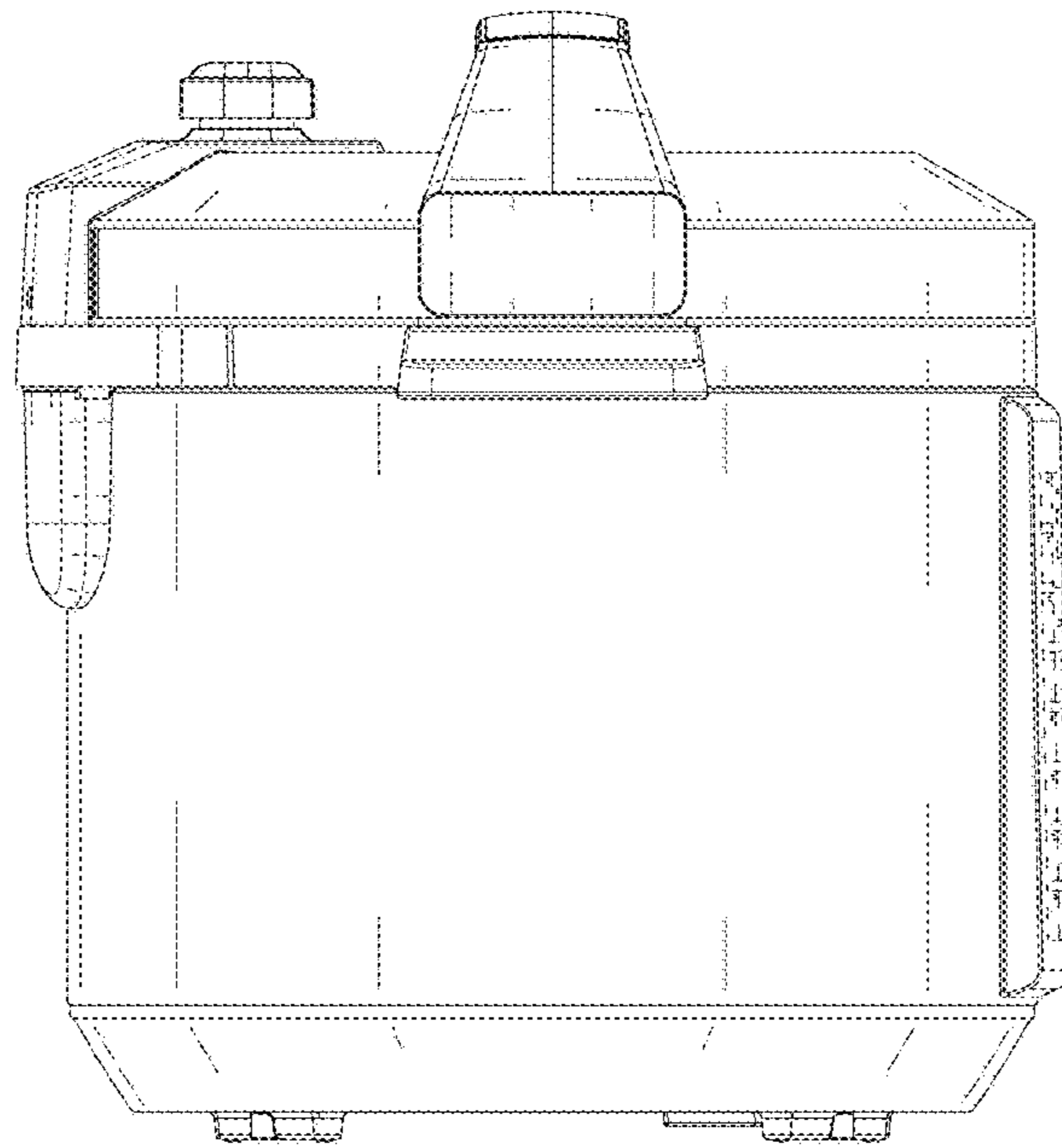


FIG.4

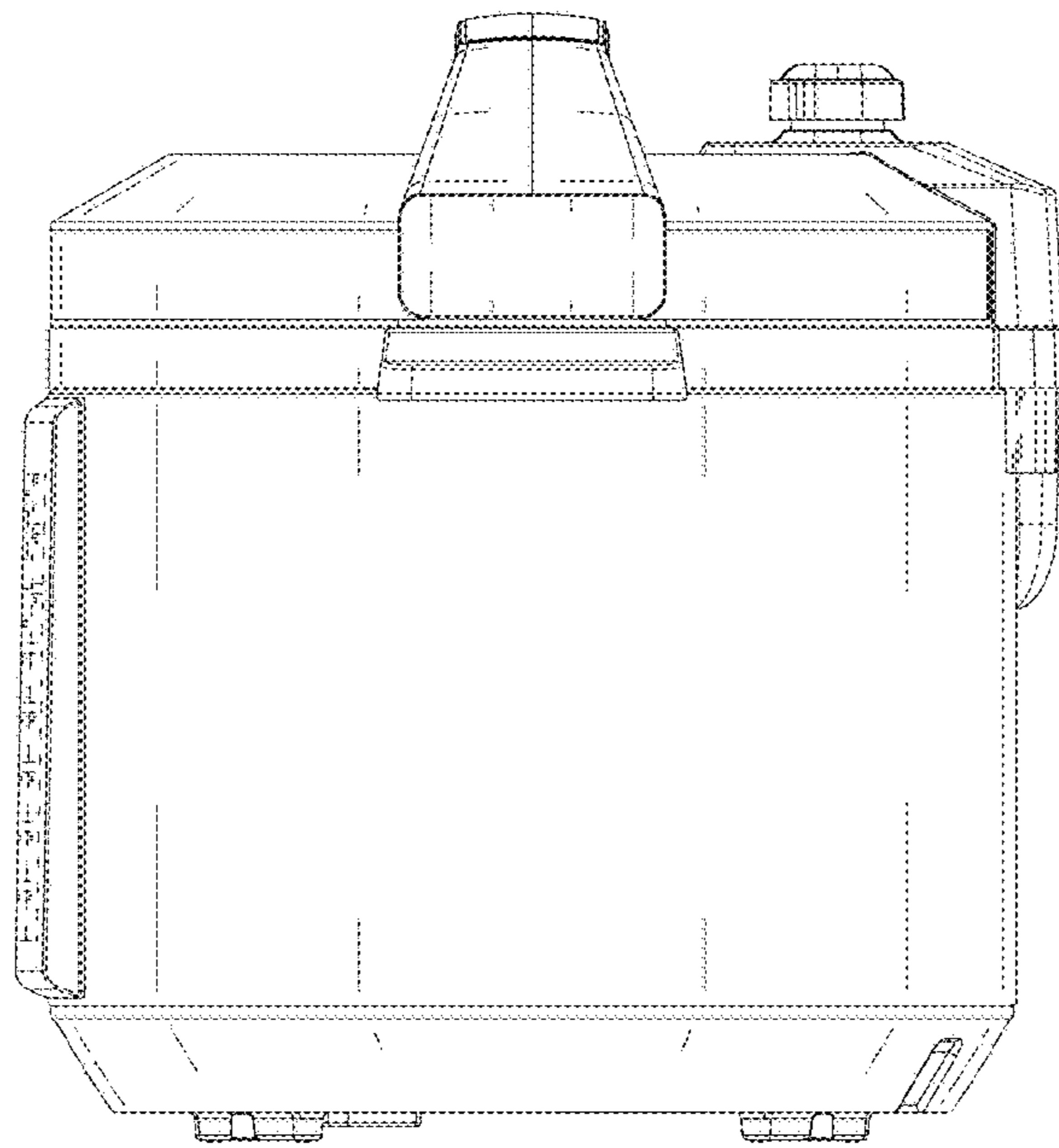


FIG. 5

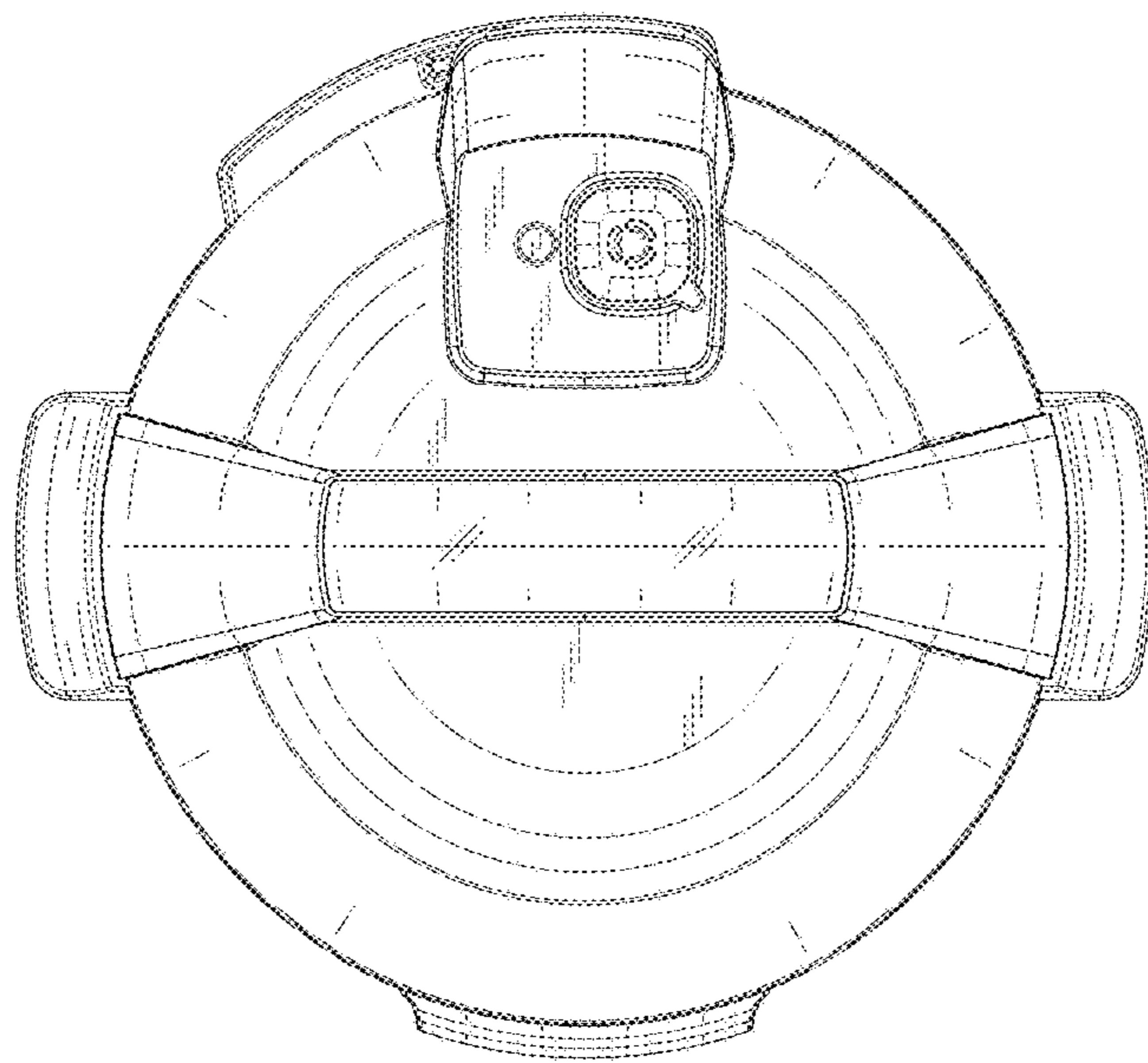


FIG. 6

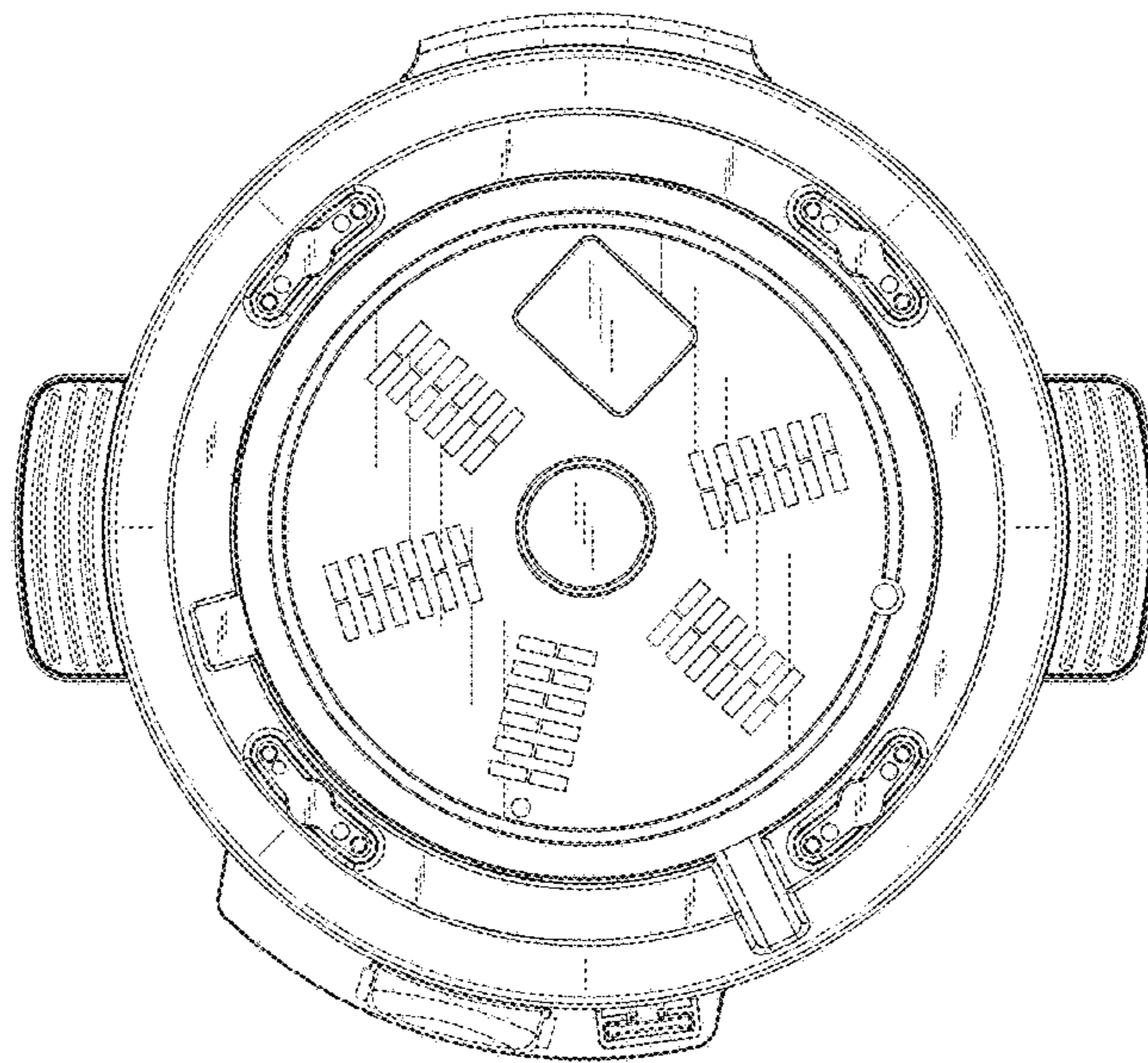


FIG. 7

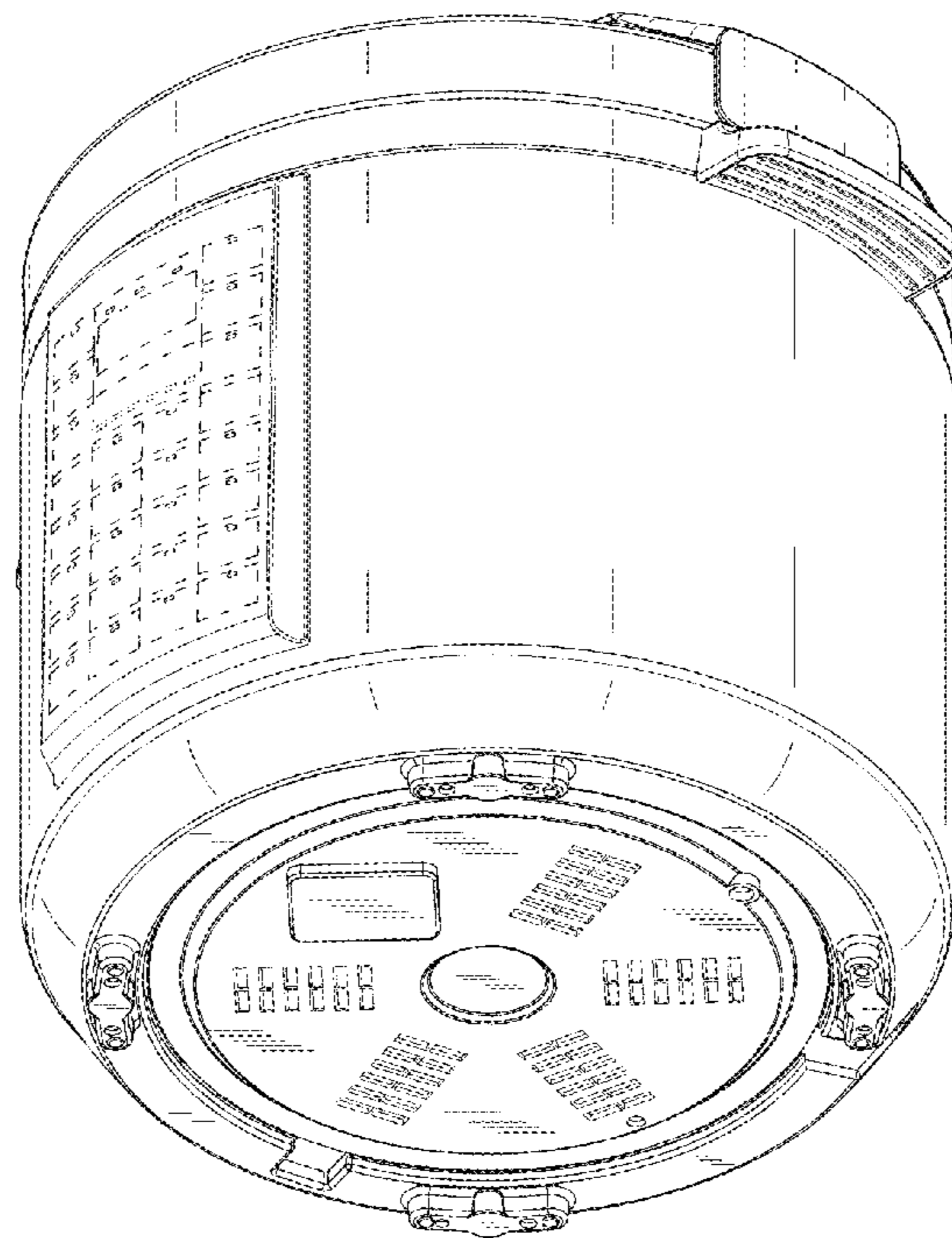


FIG. 8