

US00D861411S

(12) **United States Design Patent** (10) **Patent No.:** **US D861,411 S**
Huang (45) **Date of Patent:** **** Oct. 1, 2019**

(54) **ELECTRIC PRESSURE COOKER**
(71) Applicant: **Foshan Shunde Qingneng Electric Appliances Co., Ltd.**, Foshan, CA (US)
(72) Inventor: **Shucaï Huang**, Foshan (CN)
(73) Assignee: **Foshan Shunde Qingneng Electric Appliances Co., Ltd.** (CN)
(**) Term: **15 Years**
(21) Appl. No.: **29/657,778**
(22) Filed: **Jul. 25, 2018**

(30) **Foreign Application Priority Data**
Jun. 8, 2018 (CN) 2018 3 0289121.1
(51) **LOC (12) Cl.** **07-02**
(52) **U.S. Cl.**
USPC **D7/358; D7/354; D7/360**
(58) **Field of Classification Search**
USPC D7/323, 354-361, 368, 391, 393, 406
CPC A47J 27/00; A47J 27/004; A47J 27/08;
A47J 27/0802; A47J 27/0804; A47J
27/0811; A47J 27/0813; A47J 27/0815;
A47J 27/0817; A47J 27/084; A47J 27/09;
A47J 27/092; A47J 36/025; A47J 36/06;
A47J 37/12; A47J 37/1204; A47J
37/1209; A47J 45/07; A47J 45/071; A47J
45/074; A47J 45/08; B01D 2201/345;
B01J 3/03; B01J 3/04; F01P 2011/0247;
F01P 2011/0252; H05B 6/00; H05B 6/02;
H05B 6/06

See application file for complete search history.

(56) **References Cited**

U.S. PATENT DOCUMENTS

4,148,250 A *	4/1979	Miki	A47J 36/06 220/374
D285,644 S *	9/1986	Kitakaze	D7/358
D549,517 S *	8/2007	Moran	D7/358
D641,203 S *	7/2011	Josancy	D7/354
D711,182 S *	8/2014	Roussard	D7/354
D728,301 S *	5/2015	Hack	D7/368
D770,220 S *	11/2016	Chung	D7/354
D770,843 S *	11/2016	Chung	A47J 36/06 D7/354
D770,844 S *	11/2016	Chung	D7/354
D802,987 S *	11/2017	Corlay	D7/358
D838,546 S *	1/2019	Wang	D7/406
D846,335 S *	4/2019	Yang	D7/358
D846,336 S *	4/2019	Hoenderdos	D7/358

* cited by examiner

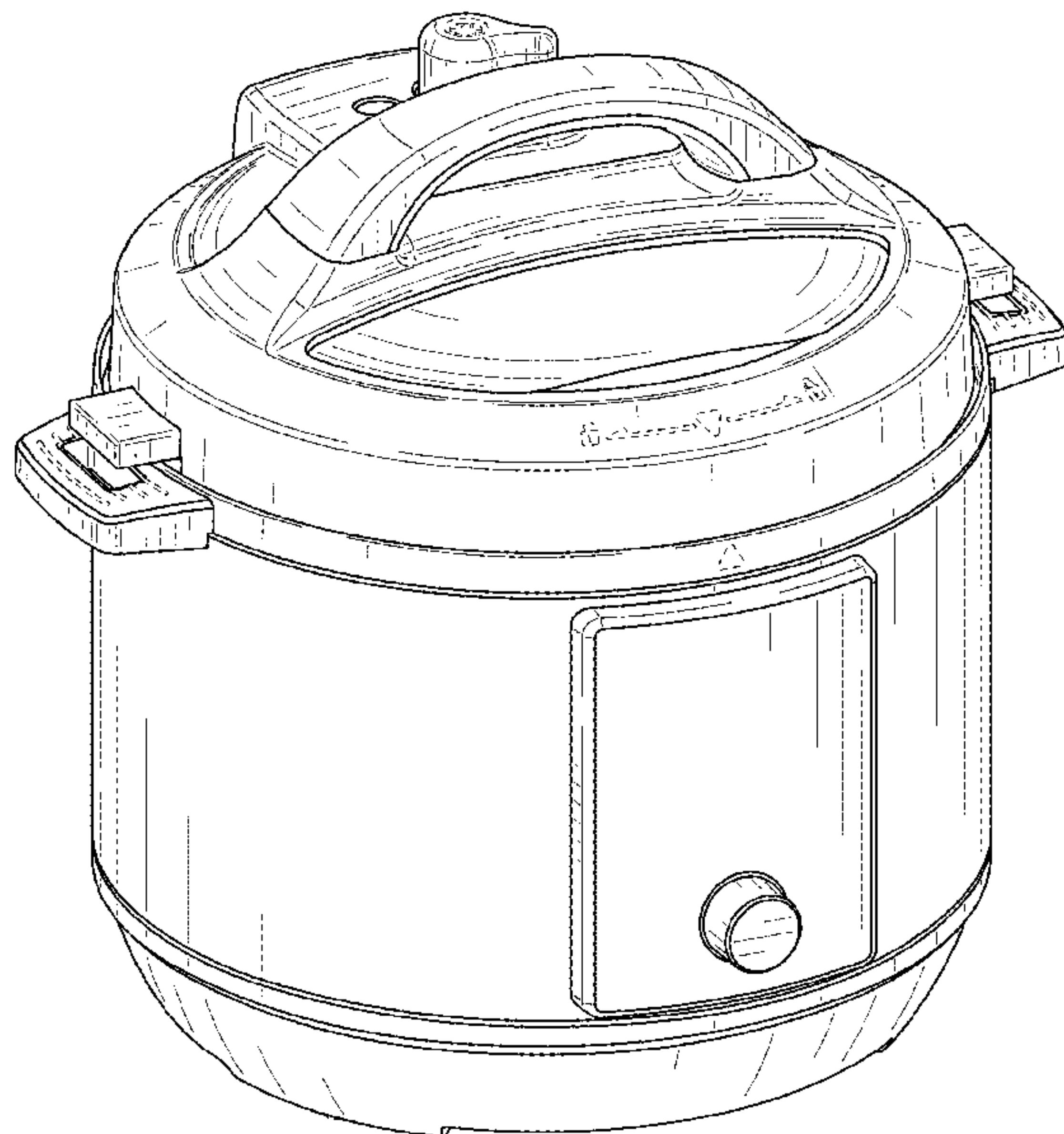
Primary Examiner — Ricky Pham

(57) **CLAIM**
The ornamental design for an electric pressure cooker, as shown and described.

DESCRIPTION

FIG. 1 is a front elevation view of an electric pressure cooker showing my new design;
FIG. 2 is a rear elevation view thereof;
FIG. 3 is a left side elevation view thereof;
FIG. 4 is a right side elevation view thereof;
FIG. 5 is a top plan view thereof;
FIG. 6 is a bottom plan view thereof; and,
FIG. 7 is a front perspective view thereof.
The broken lines shown in the drawings illustrate portions of the electric pressure cooker that form no part of the claimed design.

1 Claim, 7 Drawing Sheets



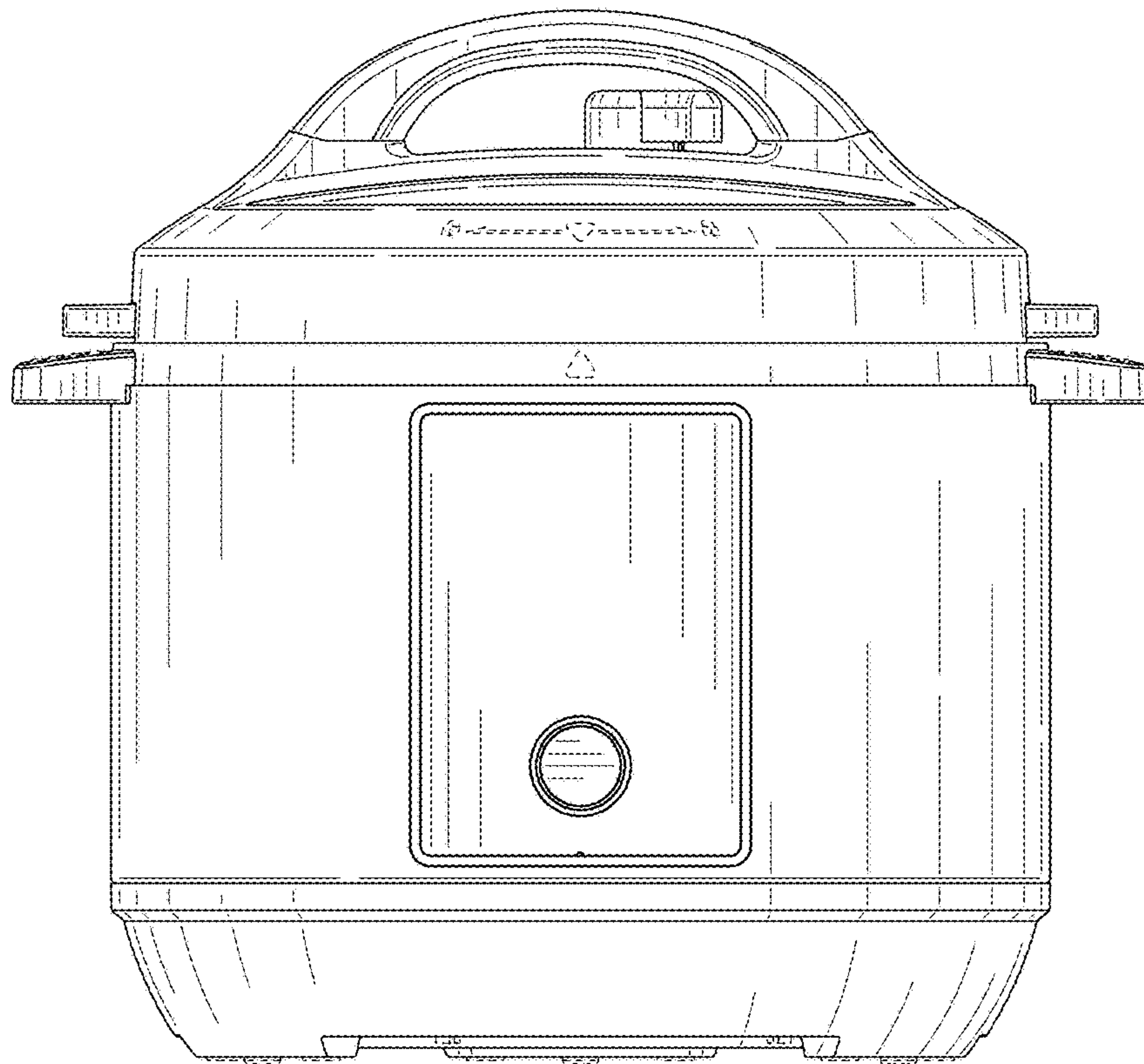


FIG. 1

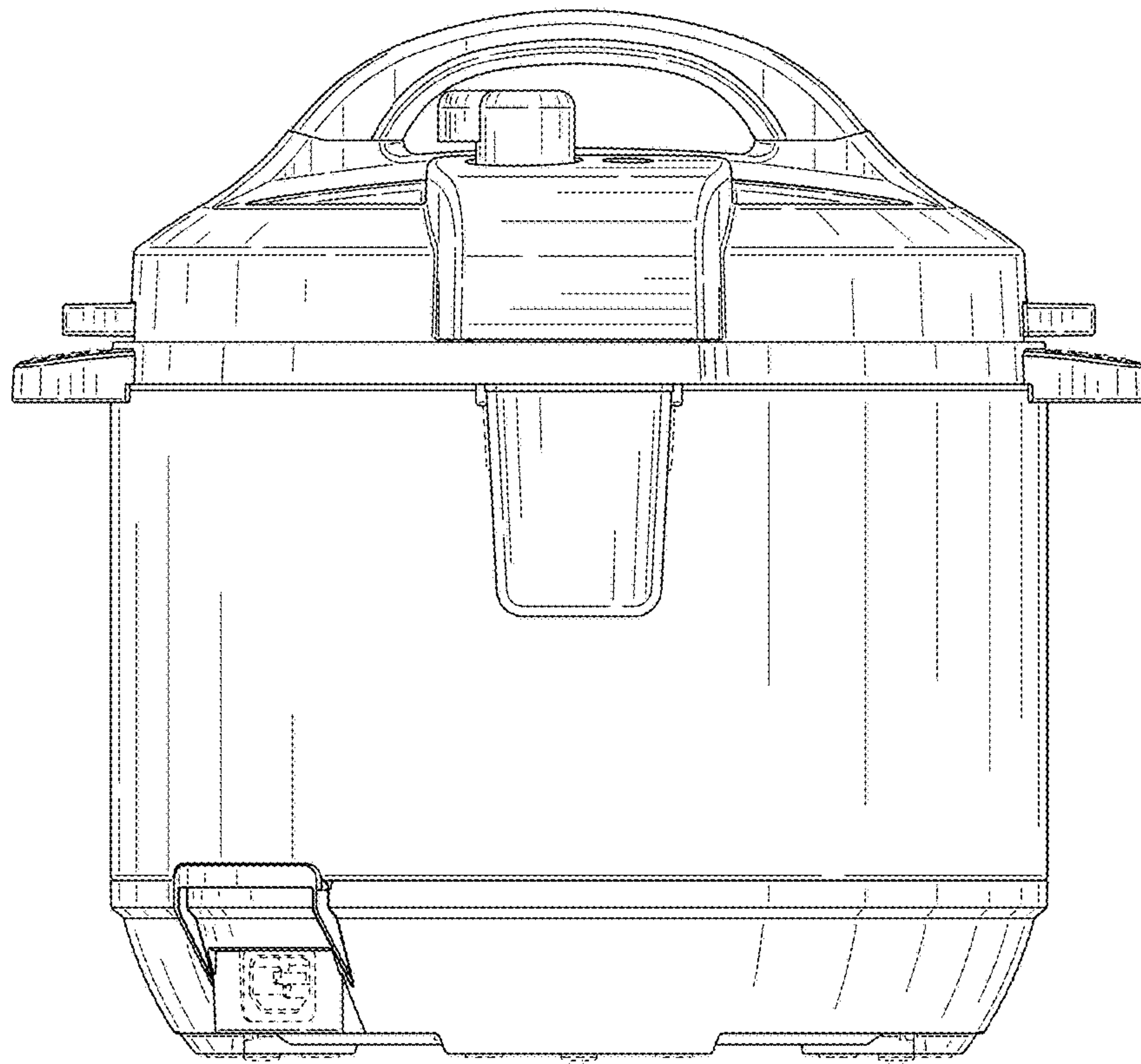


FIG. 2

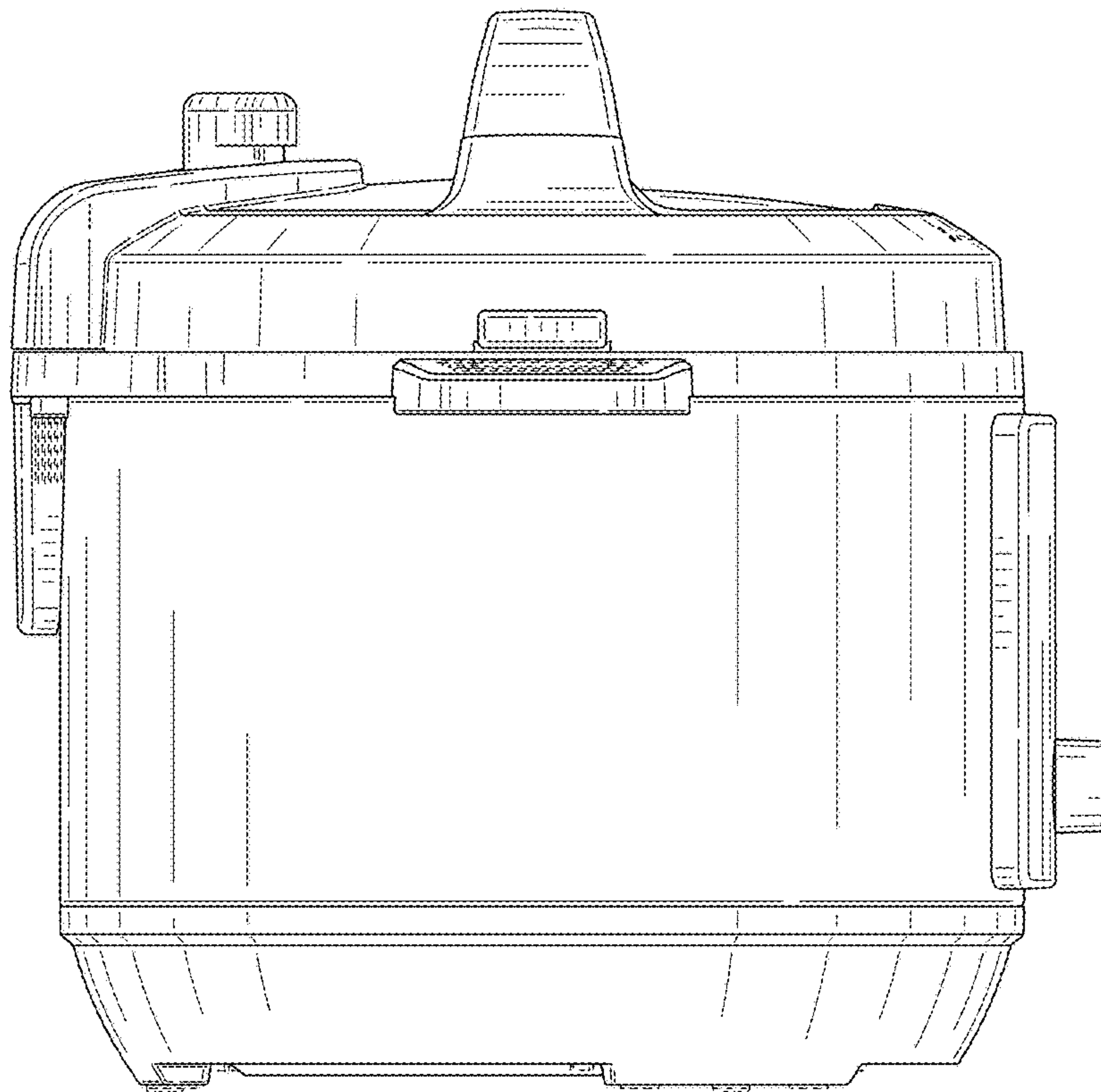


FIG. 3

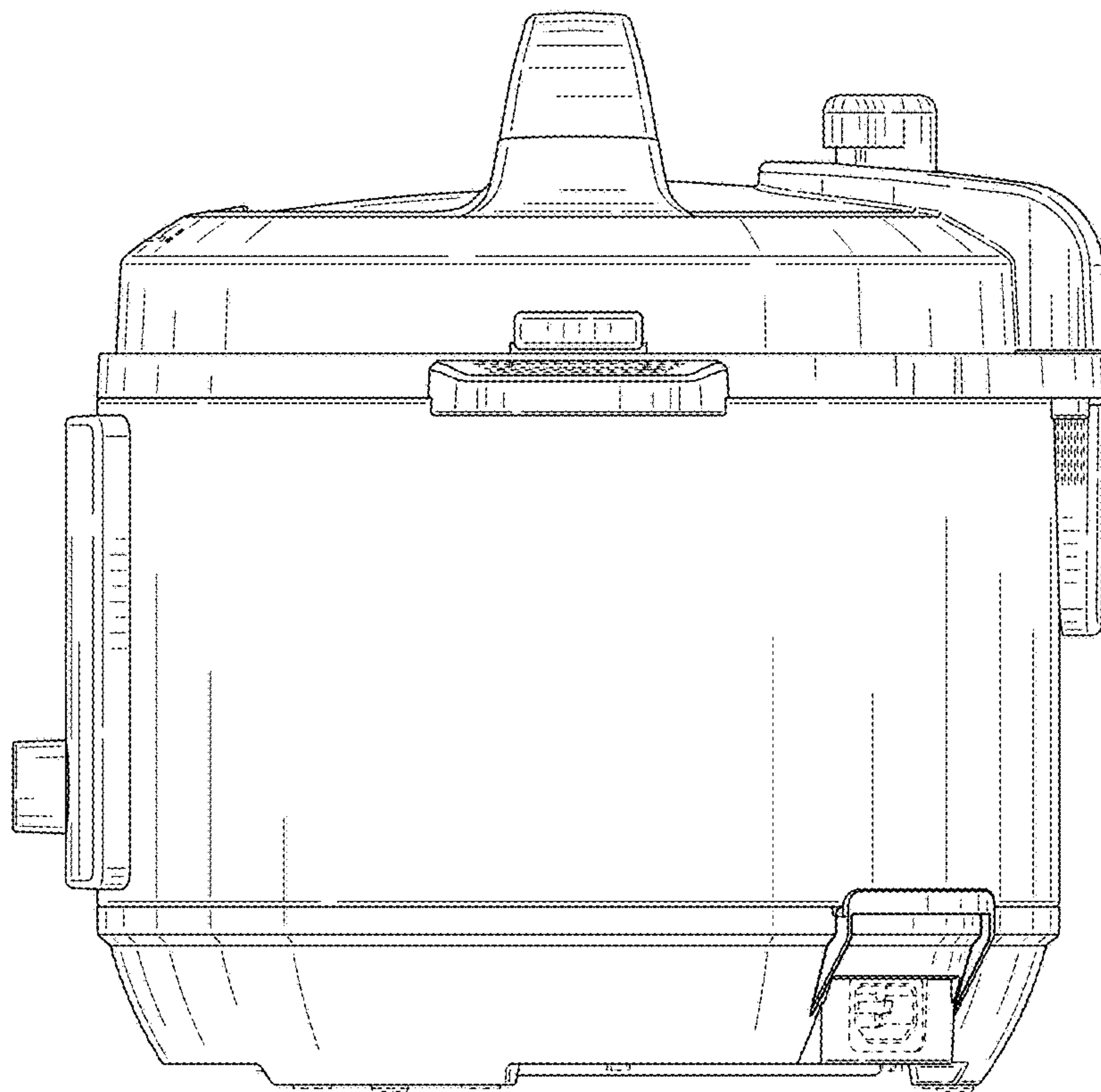


FIG. 4

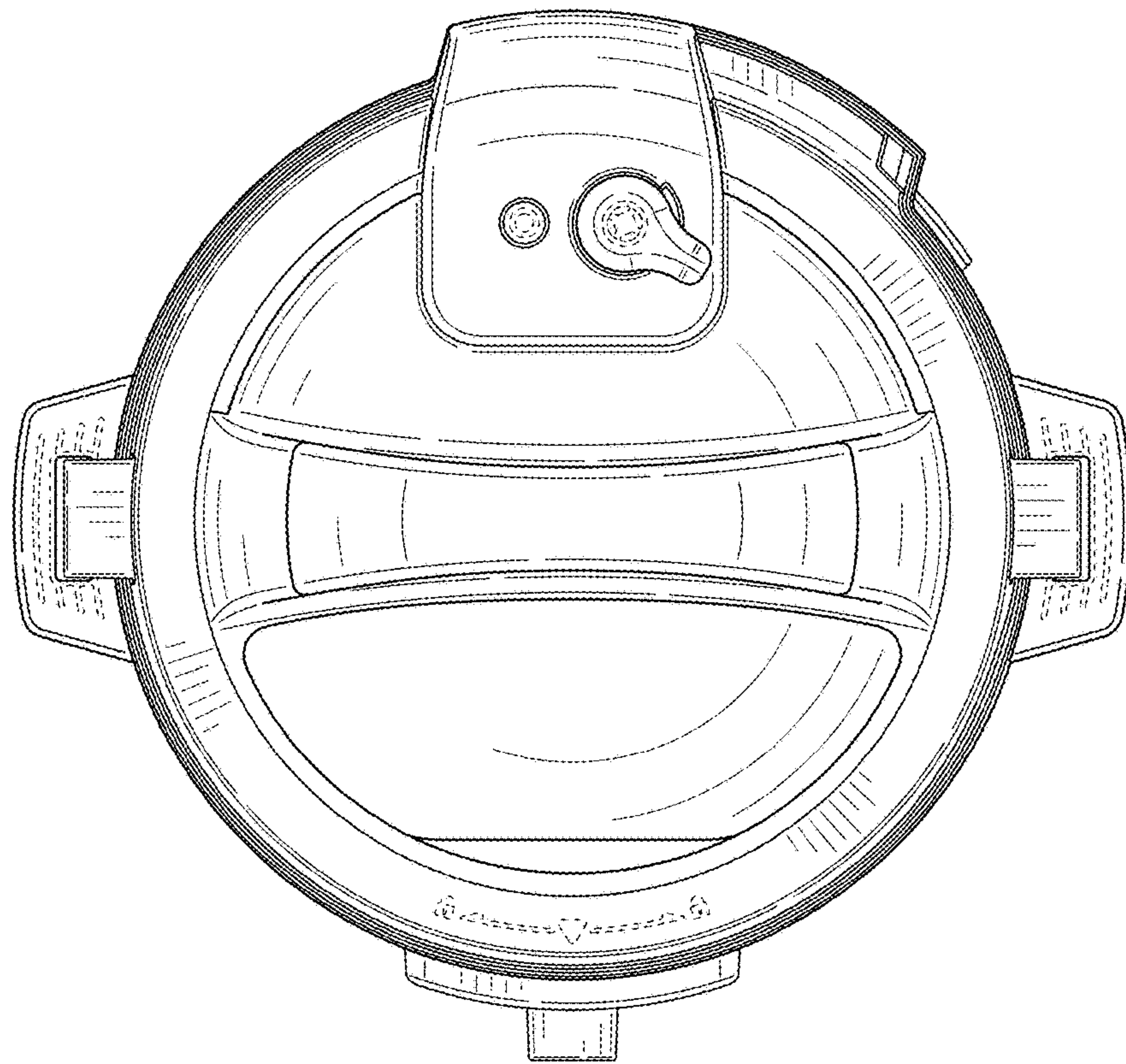


FIG. 5

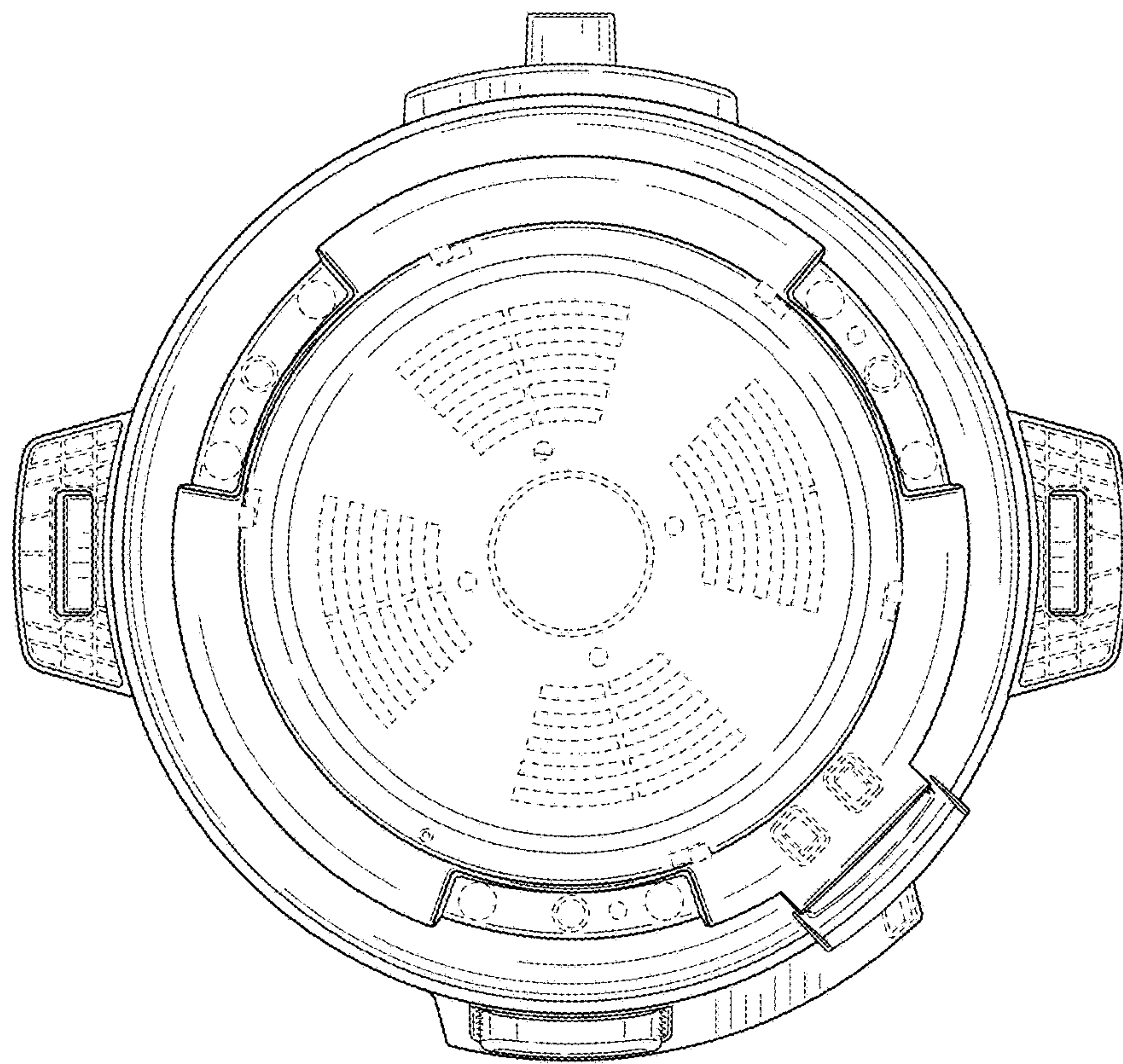


FIG. 6

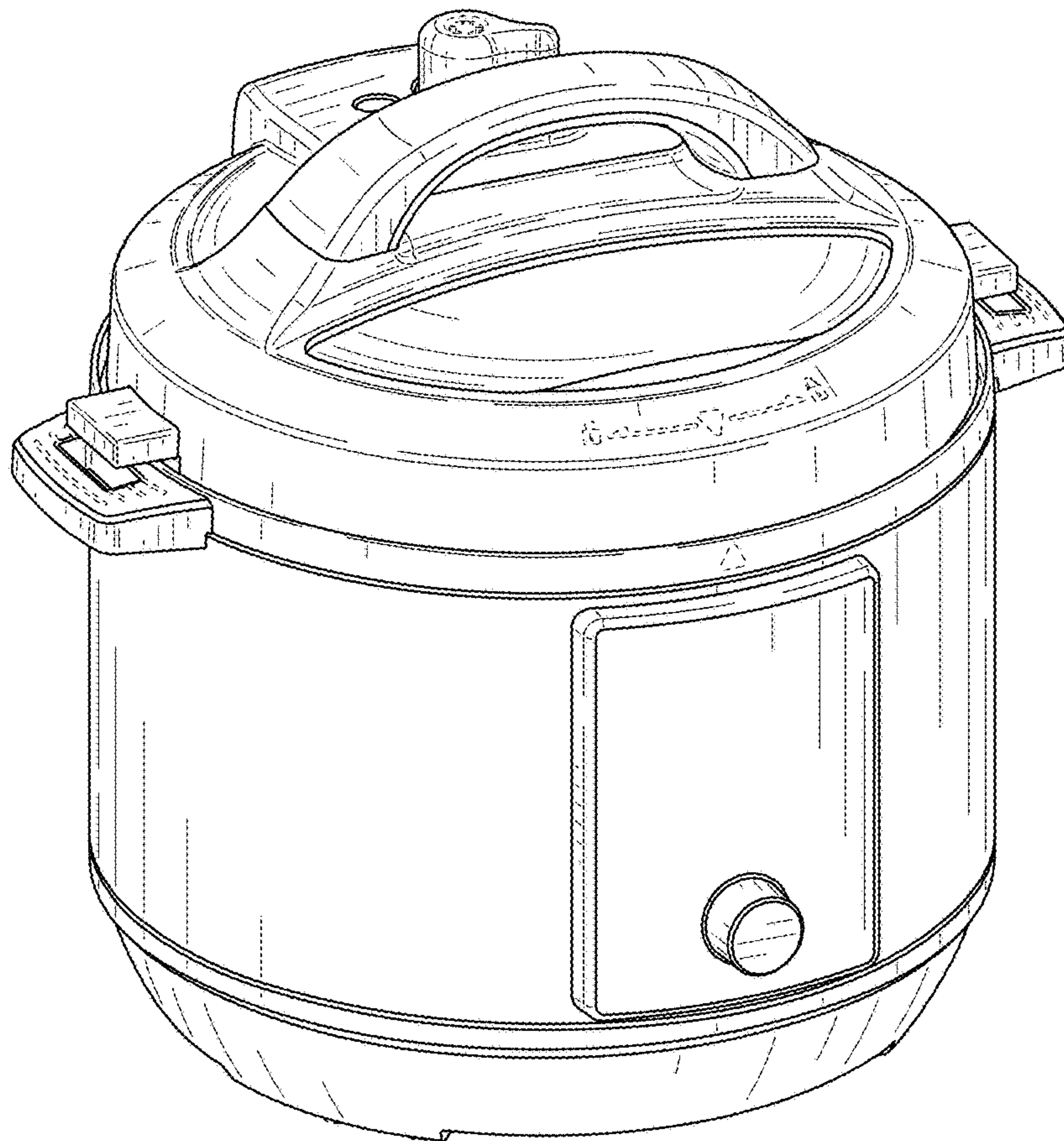


FIG. 7