



US00D861409S

(12) **United States Design Patent**
Bhogal et al.

(10) **Patent No.:** **US D861,409 S**
(45) **Date of Patent:** **** Oct. 1, 2019**

(54) **OVEN**

(71) Applicant: **June Life, Inc.**, San Francisco, CA (US)

(72) Inventors: **Nikhil Bhogal**, San Francisco, CA (US); **Nikko Lubinski**, San Francisco, CA (US); **Matt Van Horn**, San Francisco, CA (US)

(73) Assignee: **June Life, Inc.**, San Francisco, CA (US)

(**) Term: **15 Years**

(21) Appl. No.: **29/645,221**

(22) Filed: **Apr. 24, 2018**

(51) **LOC (12) Cl.** **07-02**

(52) **U.S. Cl.**
USPC **D7/328**

(58) **Field of Classification Search**
USPC D7/323, 328-330, 348, 350.1, 351, 390, D7/405

(Continued)

(56) **References Cited**

U.S. PATENT DOCUMENTS

D495,556 S * 9/2004 Milrud D7/405
D525,477 S * 7/2006 Kim D7/351

(Continued)

Primary Examiner — Ricky Pham

(74) *Attorney, Agent, or Firm* — Jeffrey Schox; Diana Lin

(57) **CLAIM**

We claim the ornamental design for an oven, as shown and described.

DESCRIPTION

FIG. 1 is an isometric view, from the top left, of a first embodiment of the oven.

FIG. 2 is an isometric view, from the bottom right, of the first embodiment of the oven.

FIG. 3 is an elevation view from the front of the first embodiment of the oven.

FIG. 4 is an elevation view from the back of the first embodiment of the oven.

FIG. 5 is a plan view from the top of the first embodiment of the oven.

FIG. 6 is an elevation view from the right side of the first embodiment of the oven.

FIG. 7 is an elevation view from the left side of the first embodiment of the oven.

FIG. 8 is a plan view from the bottom of the first embodiment of the oven.

FIG. 9 is an isometric view, from the top left, of a second embodiment of the oven.

FIG. 10 is an isometric view, from the bottom right, of the second embodiment of the oven.

FIG. 11 is an elevation view from the front of the second embodiment of the oven.

FIG. 12 is an elevation view from the back of the second embodiment of the oven.

FIG. 13 is a plan view from the top of the second embodiment of the oven.

FIG. 14 is an elevation view from the right side of the second embodiment of the oven.

FIG. 15 is an elevation view from the left side of the second embodiment of the oven.

FIG. 16 is a plan view from the bottom of the second embodiment of the oven.

FIG. 17 is an isometric view, from the top left, of a third embodiment of the oven.

FIG. 18 is an isometric view, from the bottom right, of the third embodiment of the oven.

FIG. 19 is an elevation view from the front of the third embodiment of the oven.

FIG. 20 is an elevation view from the back of the third embodiment of the oven.

FIG. 21 is a plan view from the top of the third embodiment of the oven.

FIG. 22 is an elevation view from the right side of the third embodiment of the oven.

FIG. 23 is an elevation view from the left side of the third embodiment of the oven; and,

(Continued)

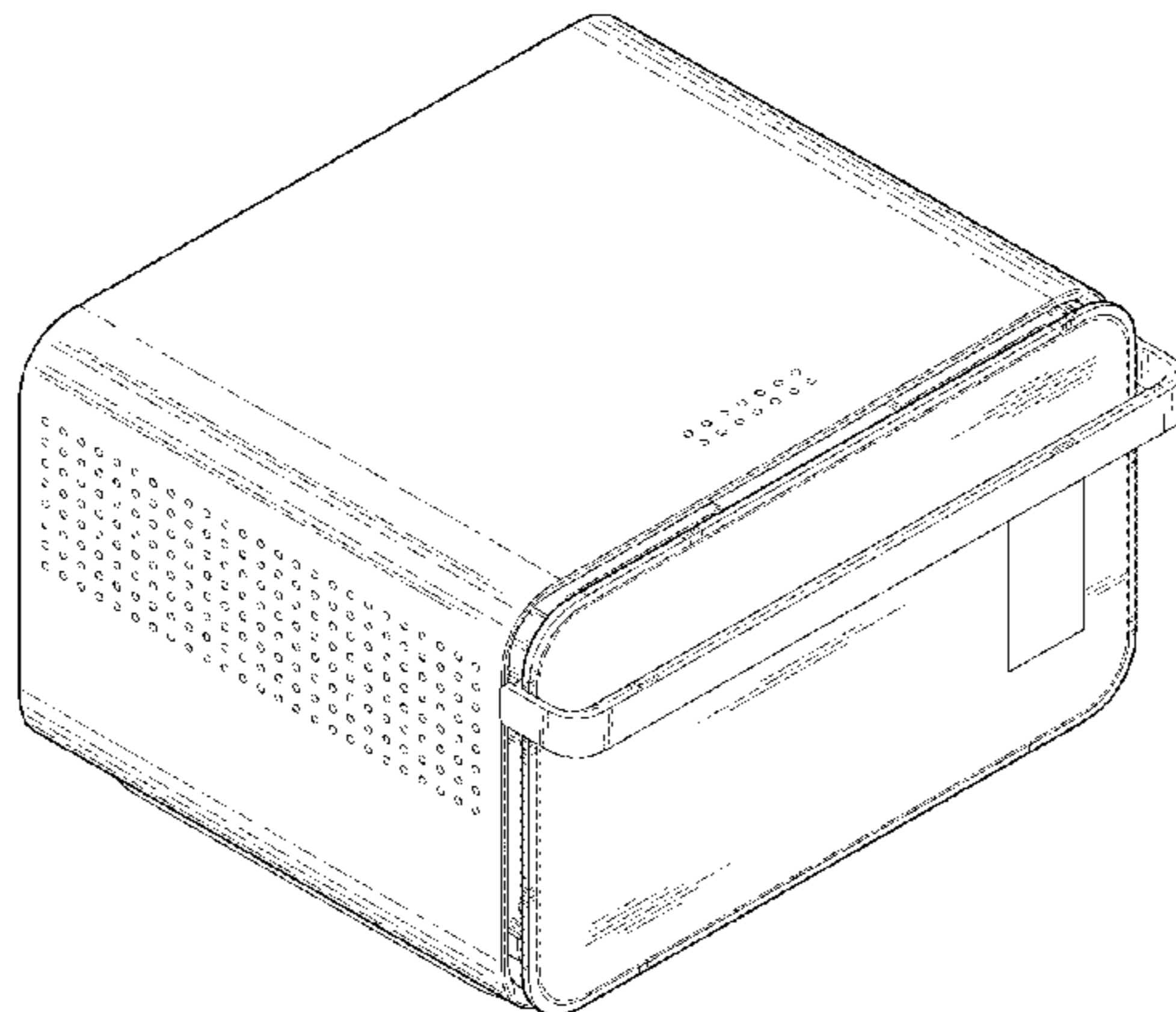


FIG. 24 is a plan view from the bottom of the third embodiment of the oven.

Any broken lines are understood to be for illustrative purposes only and form no part of the claimed design.

1 Claim, 12 Drawing Sheets

(58) **Field of Classification Search**

CPC ... A21B 2/00; A47J 37/00; A47J 37/06; A47J 37/0611; A47J 37/08; A47J 37/0807; A47J 37/0814; A47J 37/0835; A47J 37/0842; A47J 37/085; A47J 37/0864; A47J 37/0878; A47J 37/0885; A47J 37/0892; F24C 15/10; F24C 15/102

See application file for complete search history.

(56) **References Cited**

U.S. PATENT DOCUMENTS

D530,561 S	*	10/2006	Kim	D7/351
D771,996 S	*	11/2016	Bhogal	D7/350.1
D773,234 S	*	12/2016	Suh	D7/351
D780,504 S	*	3/2017	Terao	D7/350.1
D782,864 S	*	4/2017	Bhogal	D7/350.1
D815,485 S	*	4/2018	Suehiro	D7/350.1
D829,485 S	*	10/2018	Morenstein	D7/350.1
D842,638 S	*	3/2019	Filinesi	D7/348

* cited by examiner

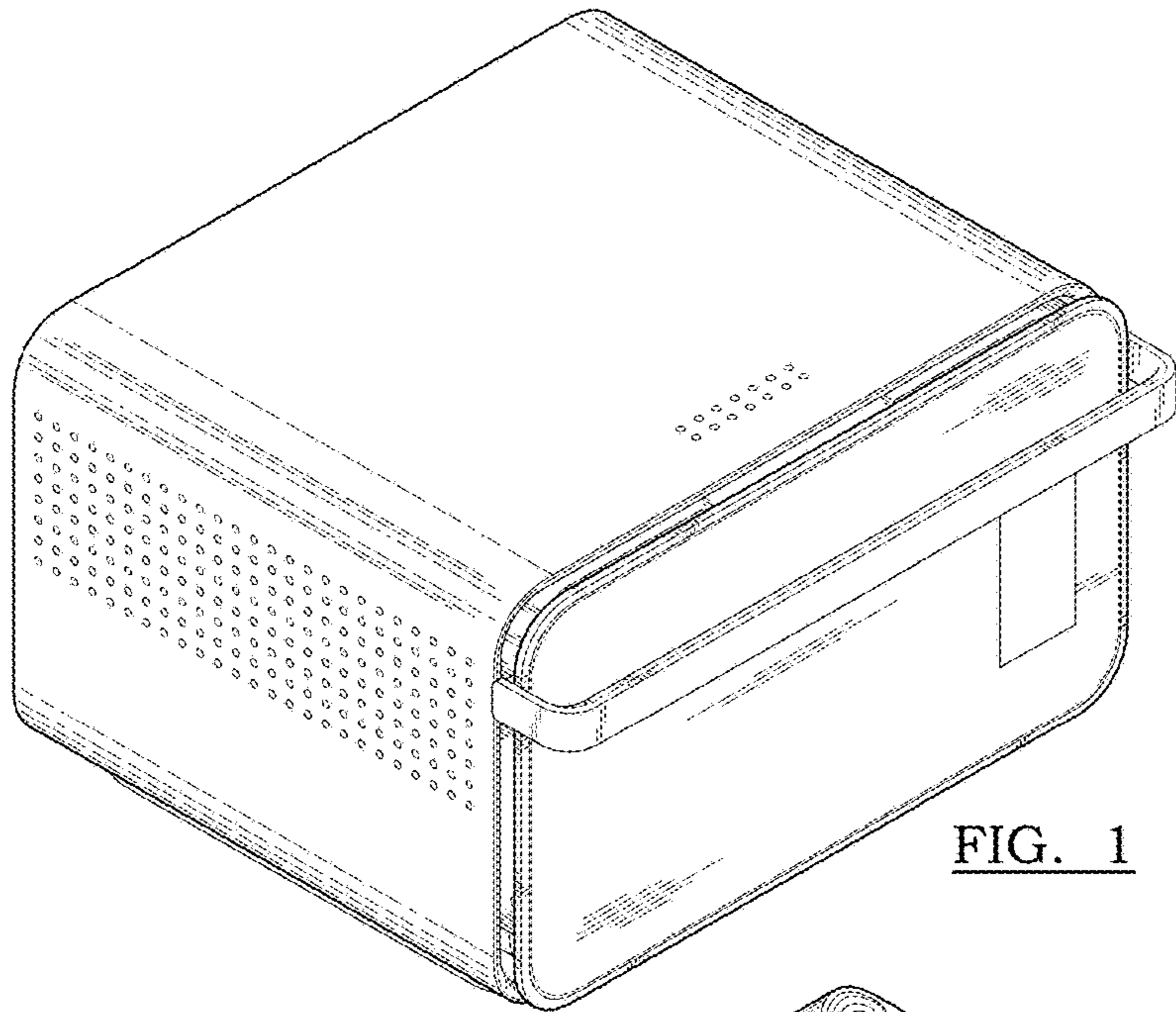


FIG. 1

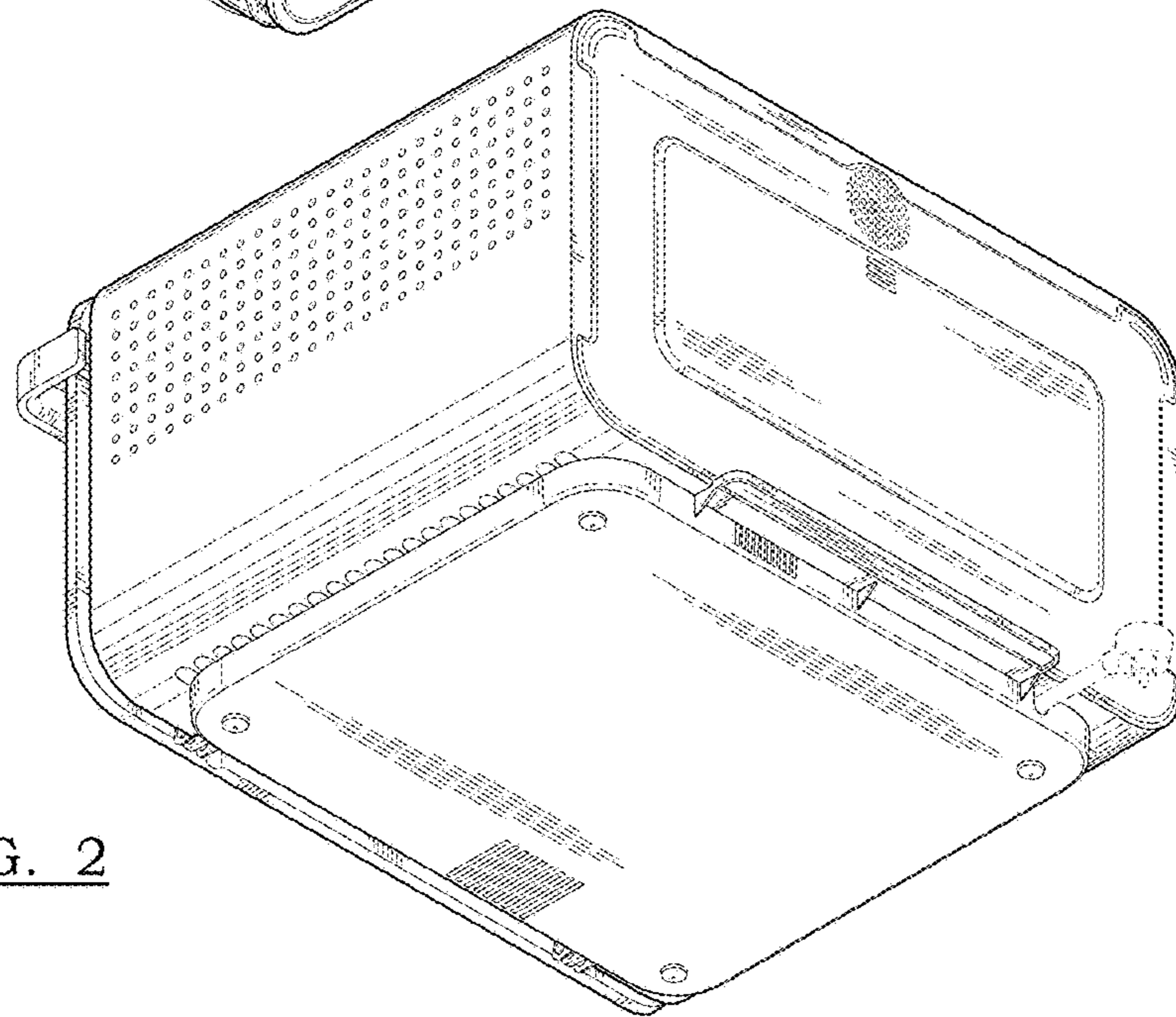


FIG. 2

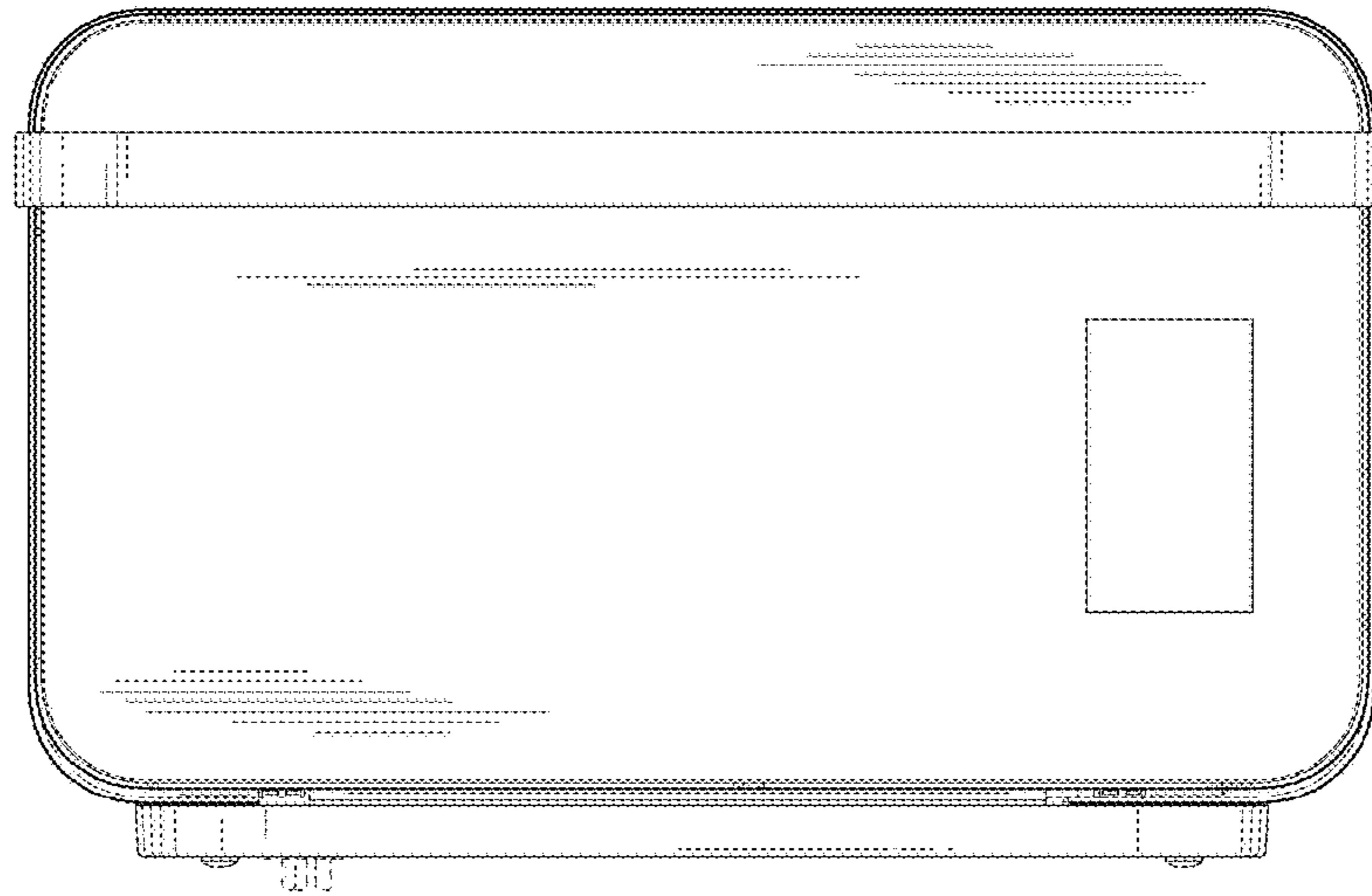


FIG. 3

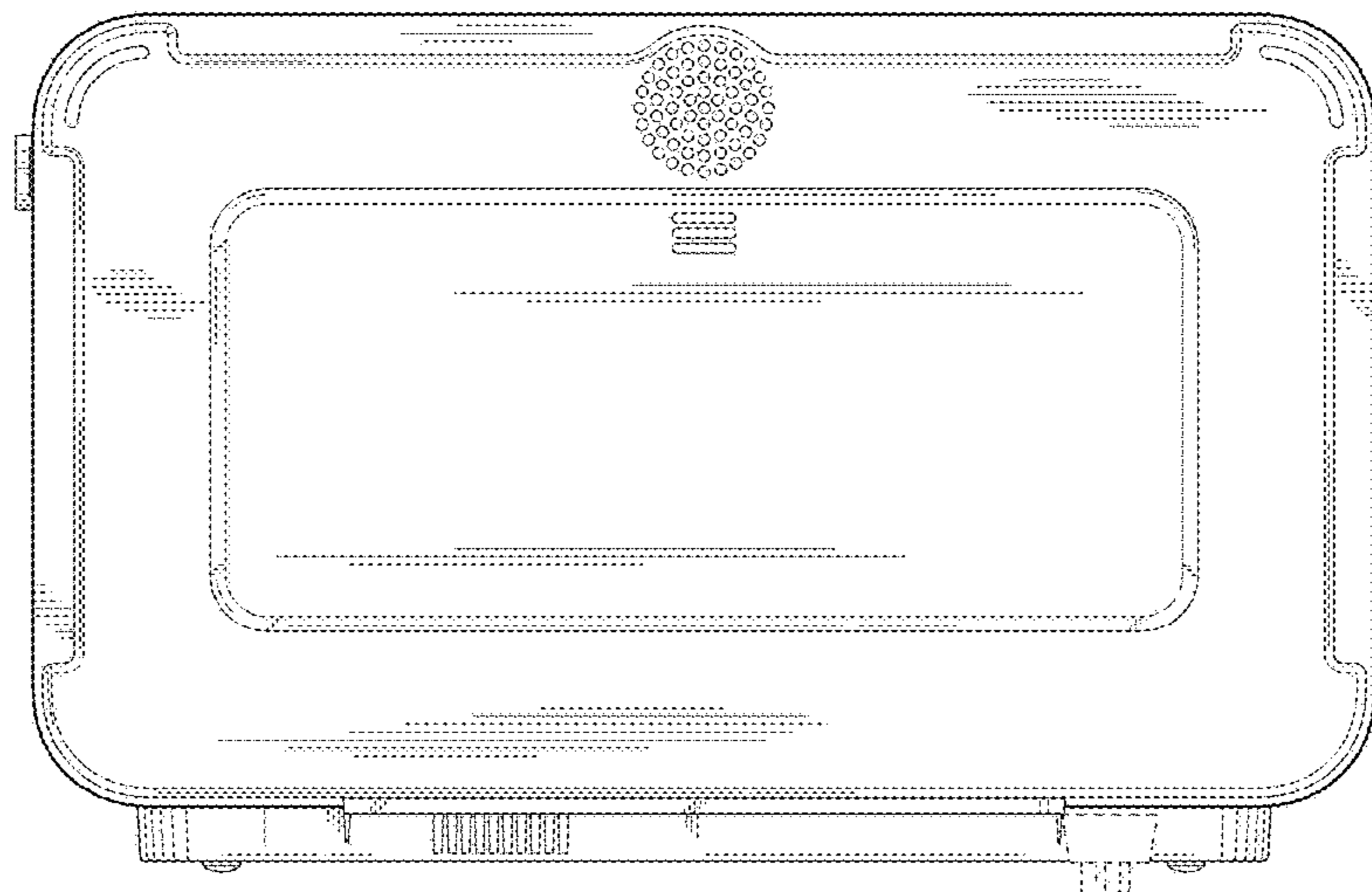


FIG. 4

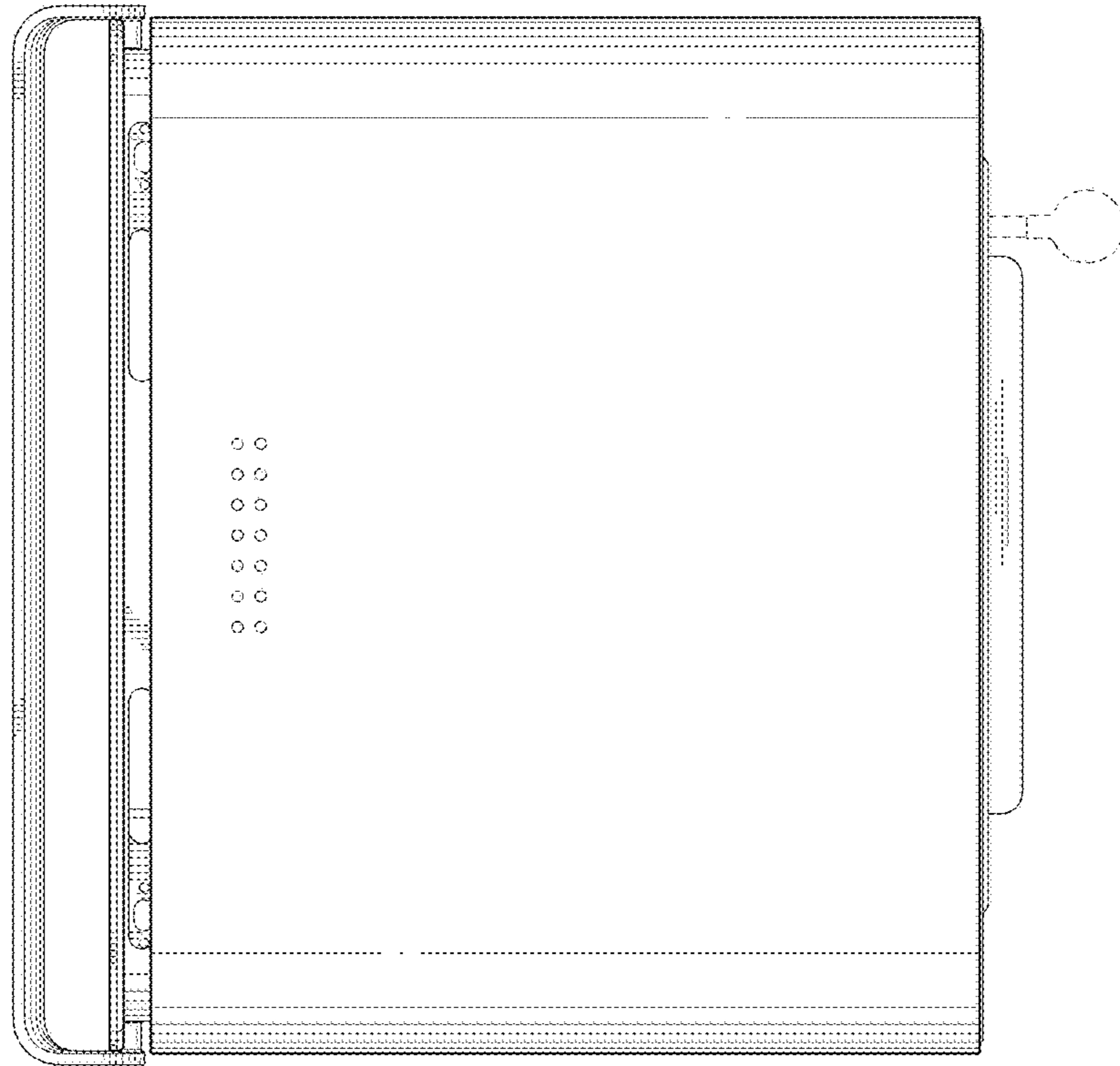


FIG. 5

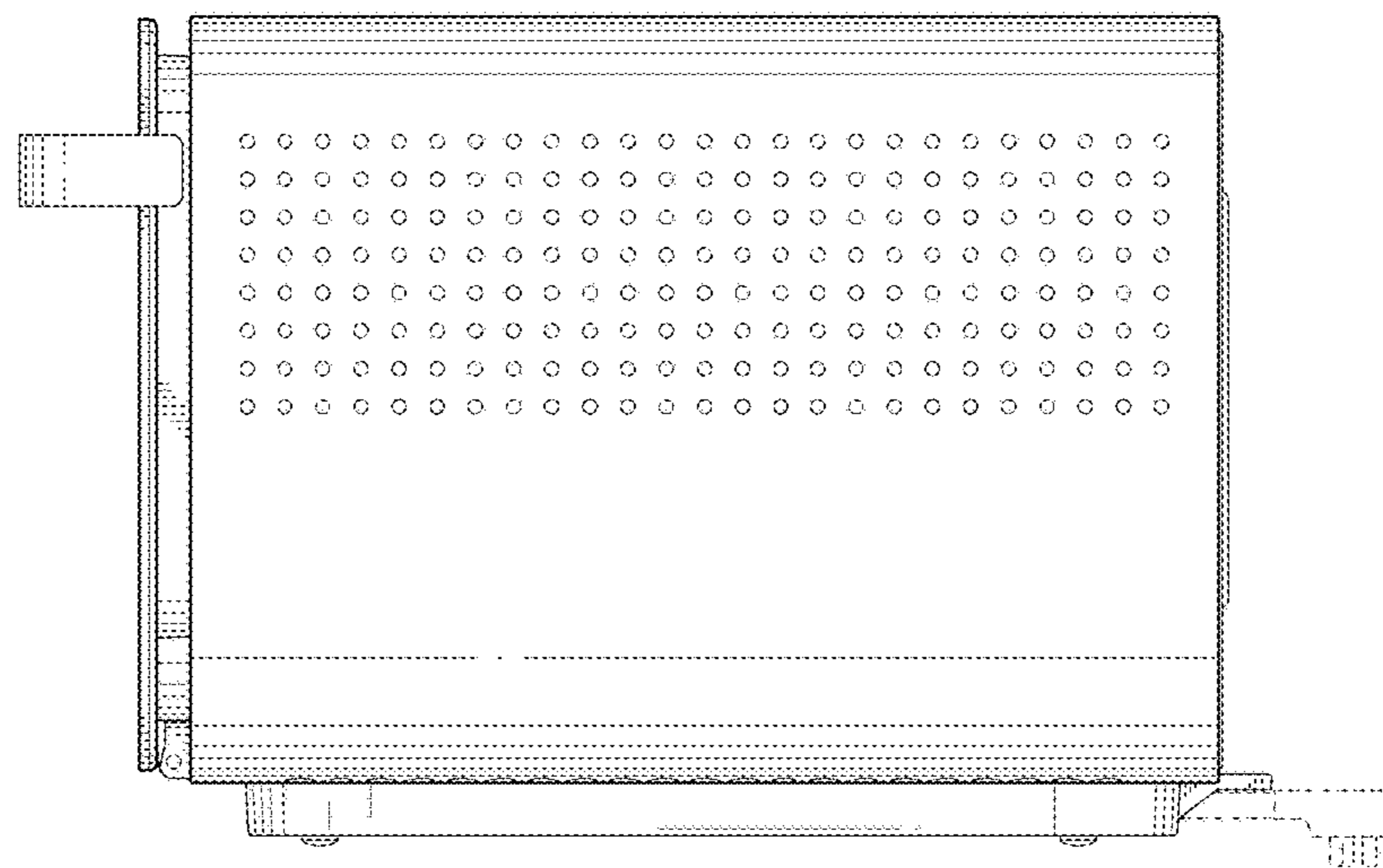


FIG. 6

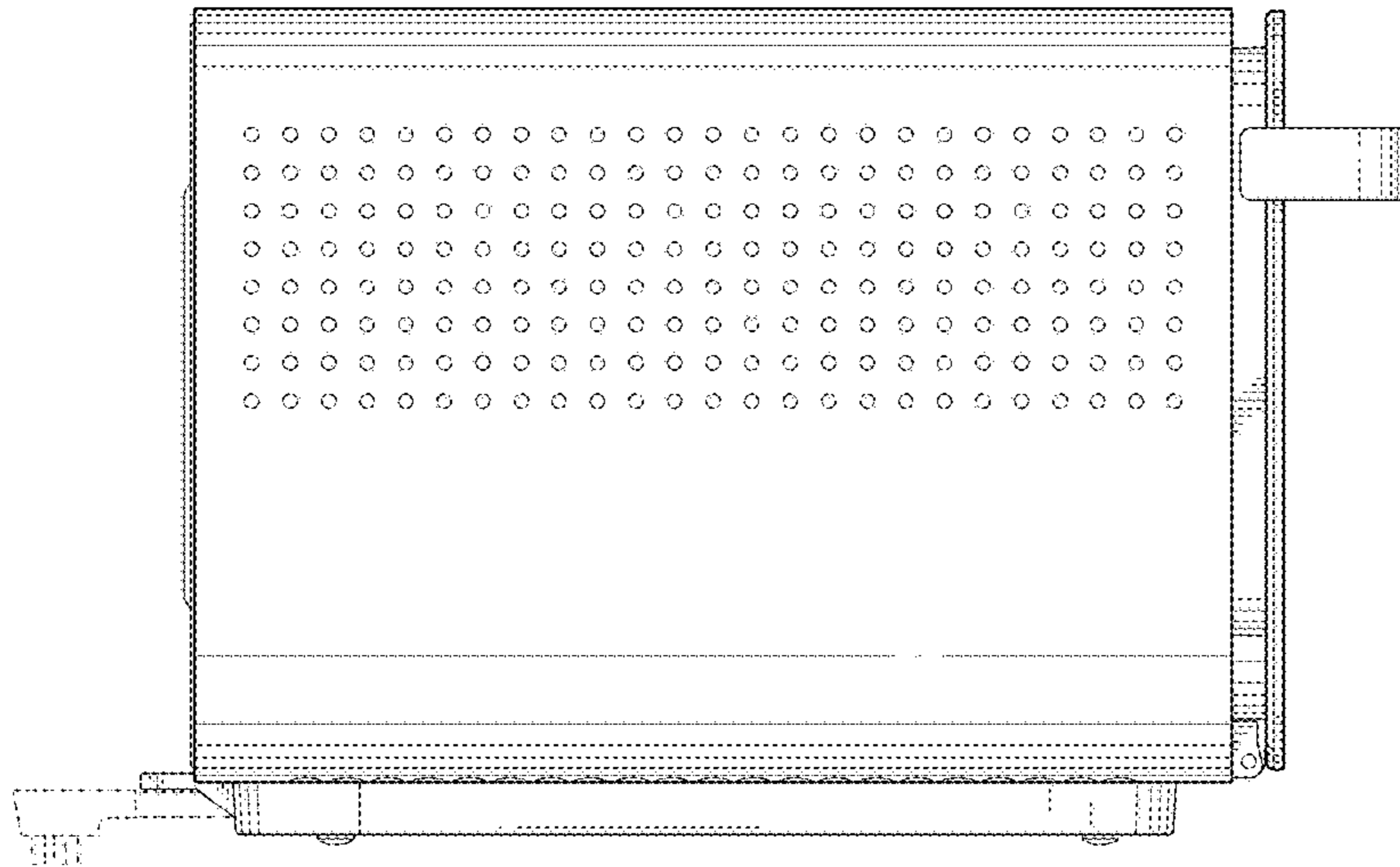


FIG. 7

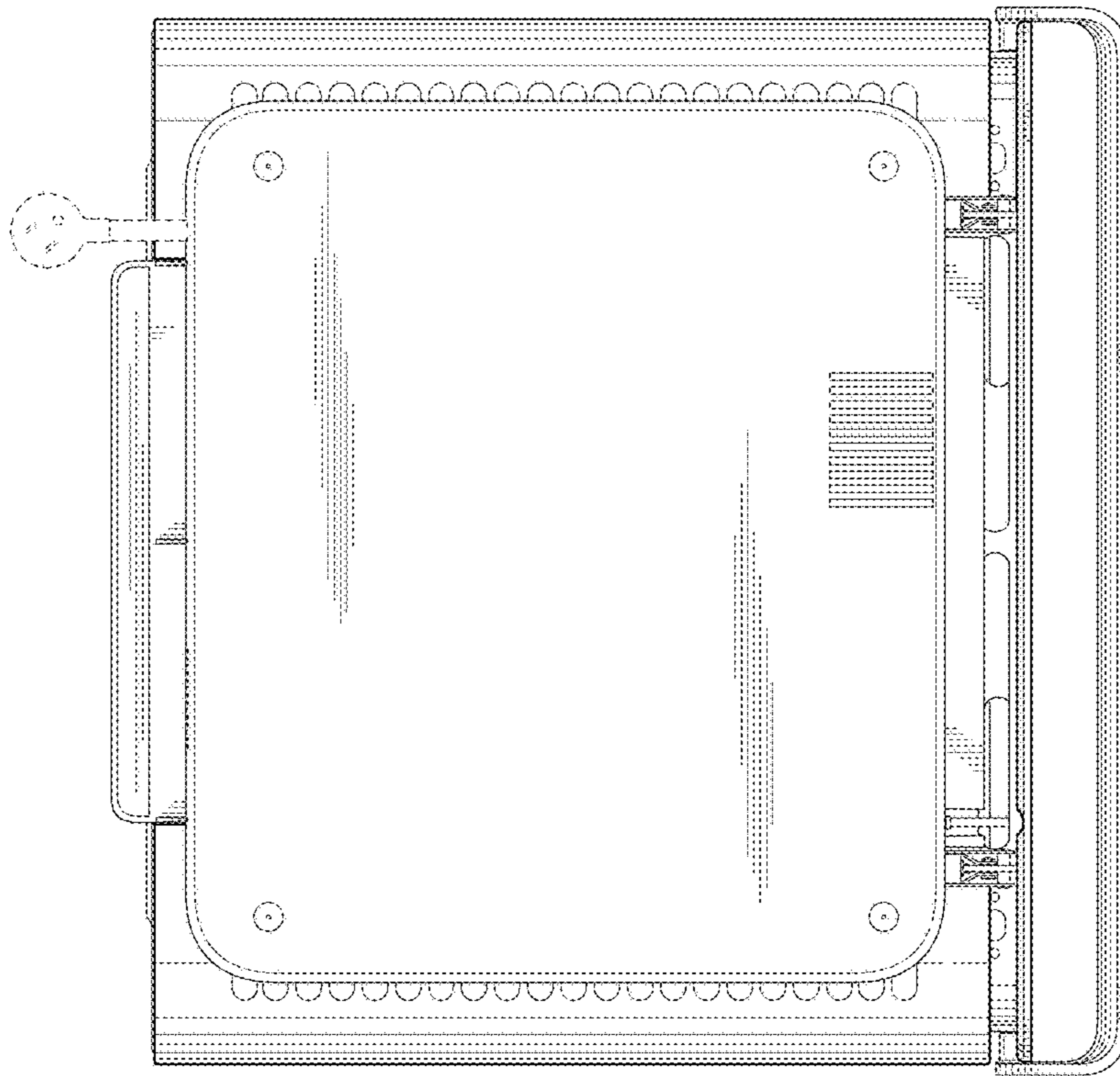


FIG. 8

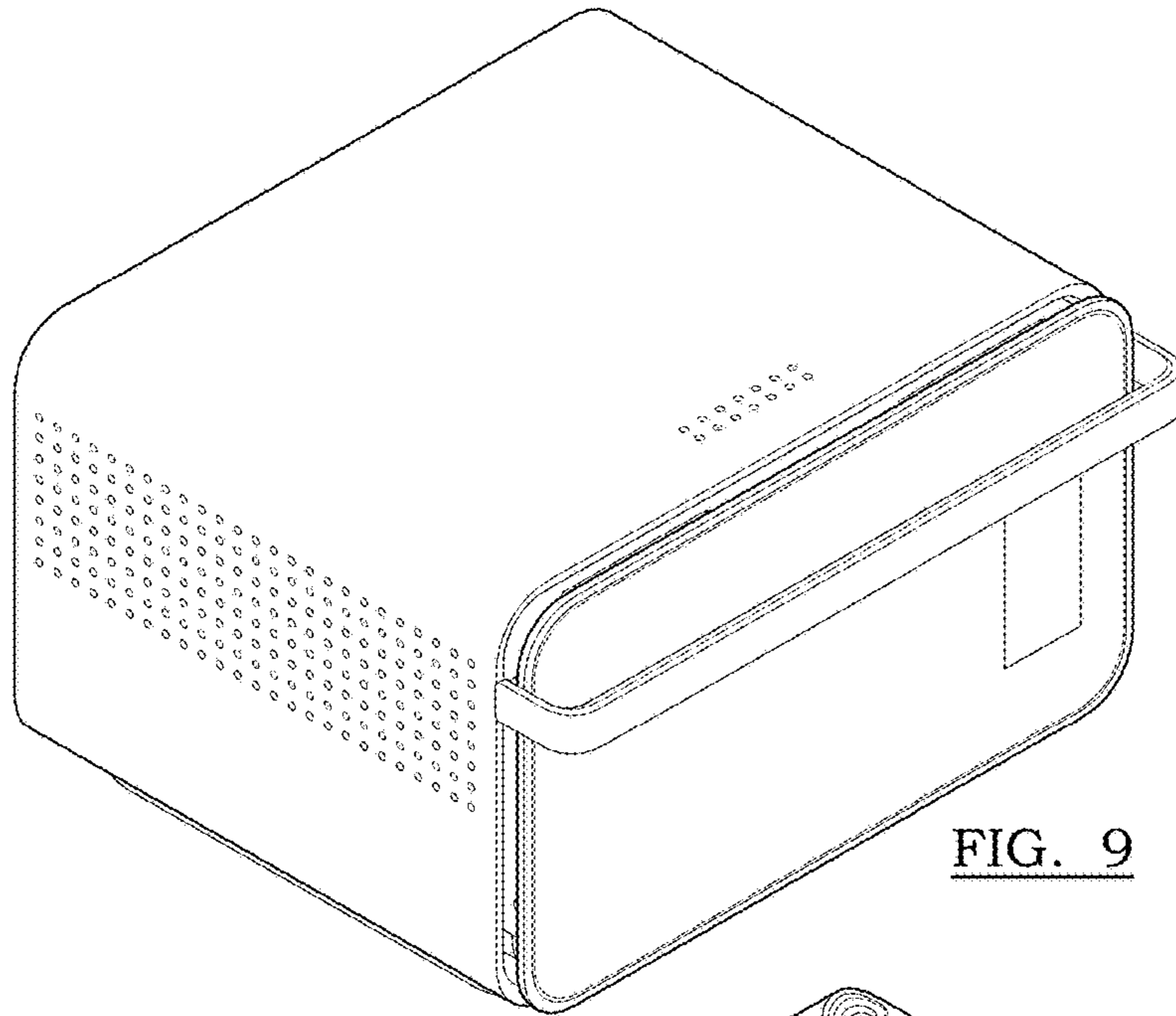


FIG. 9

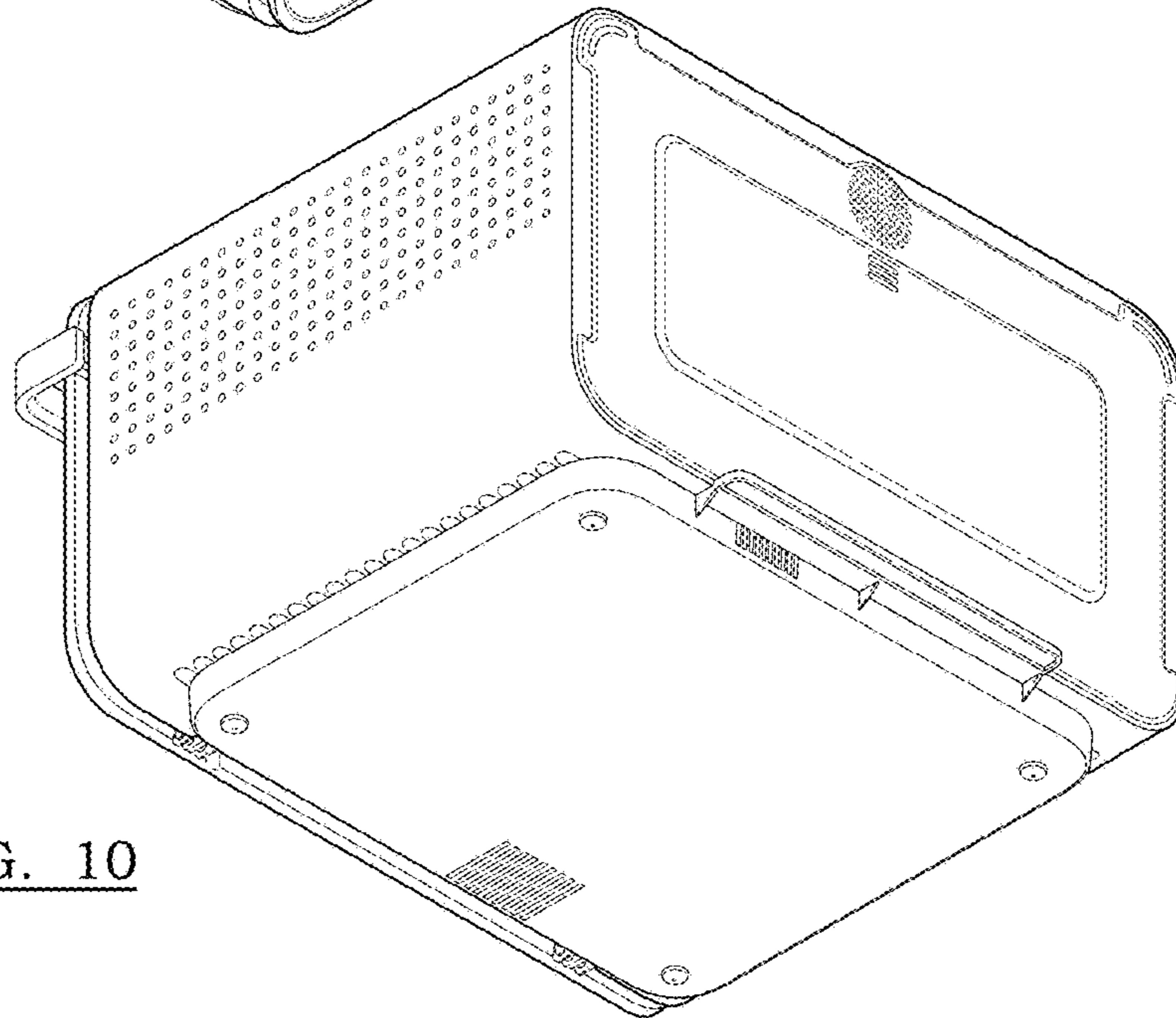


FIG. 10

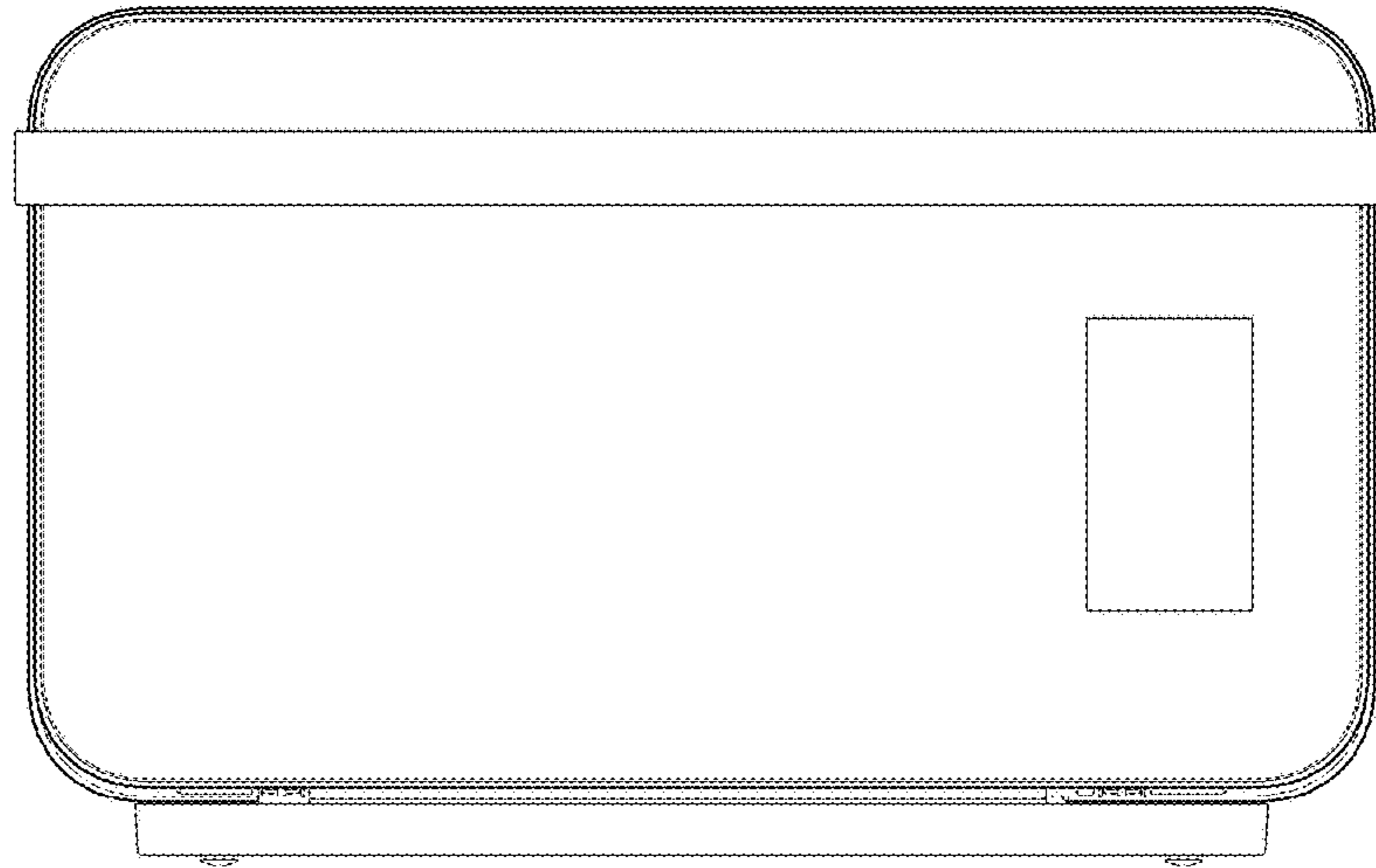


FIG. 11

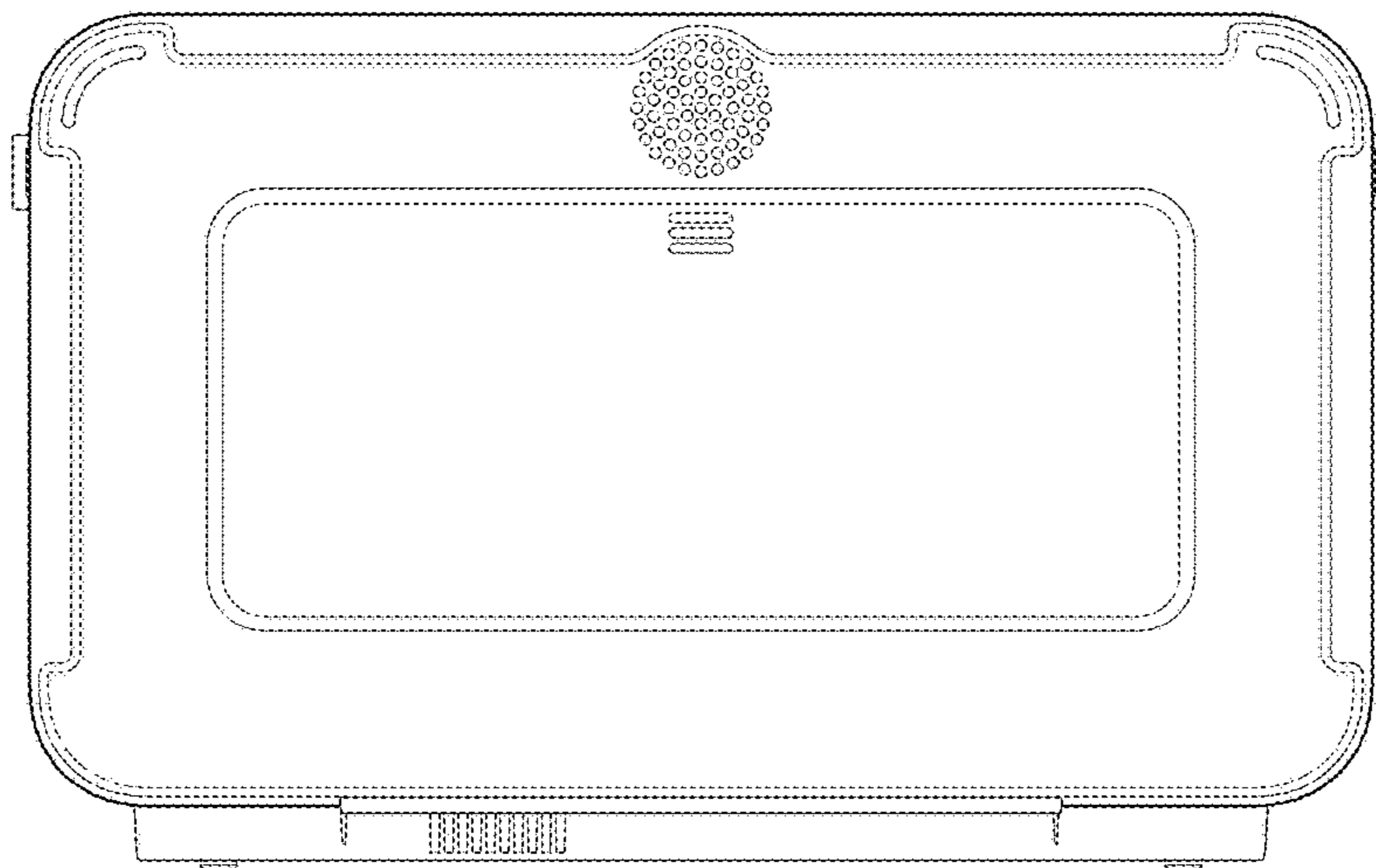


FIG. 12

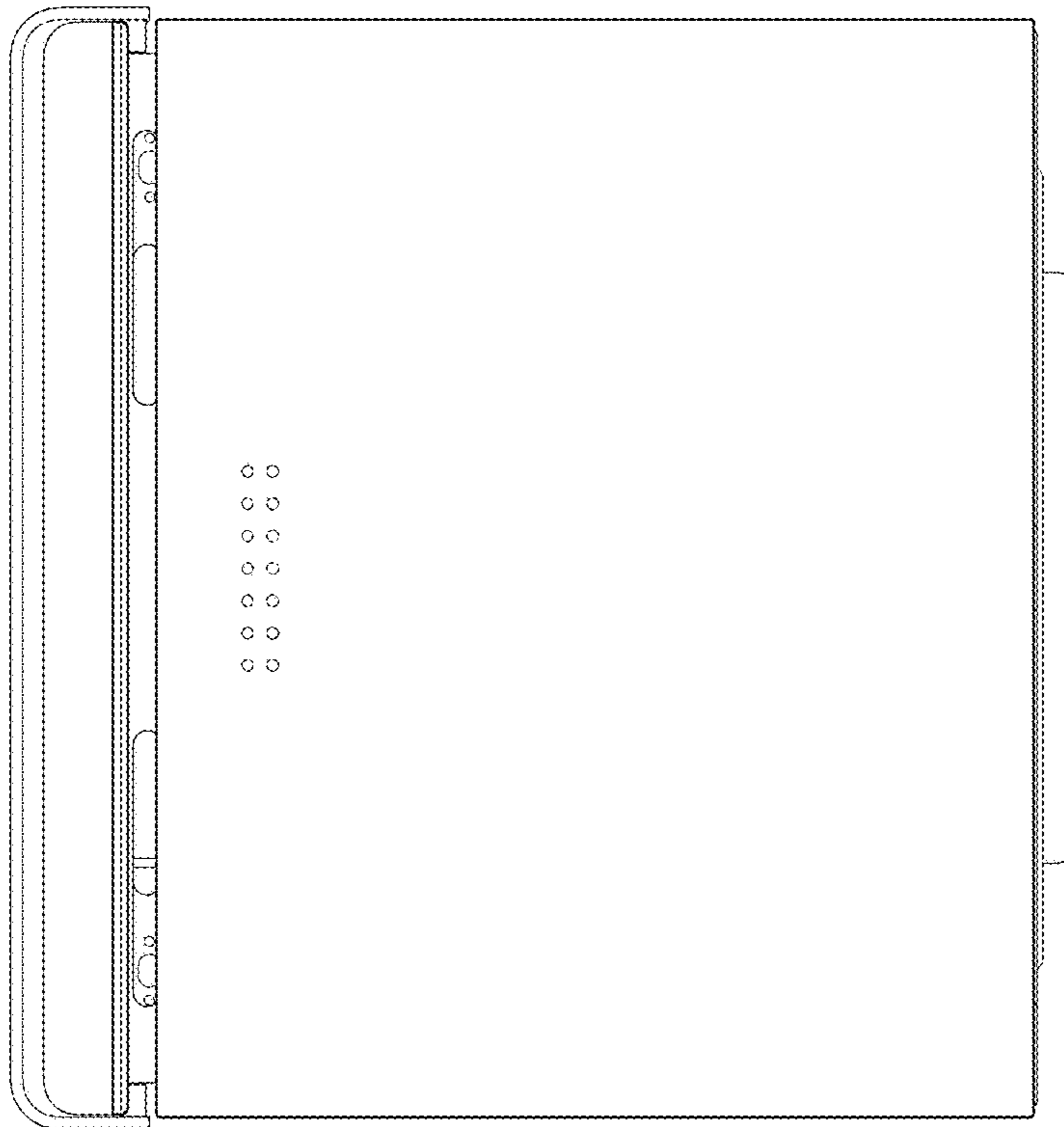


FIG. 13

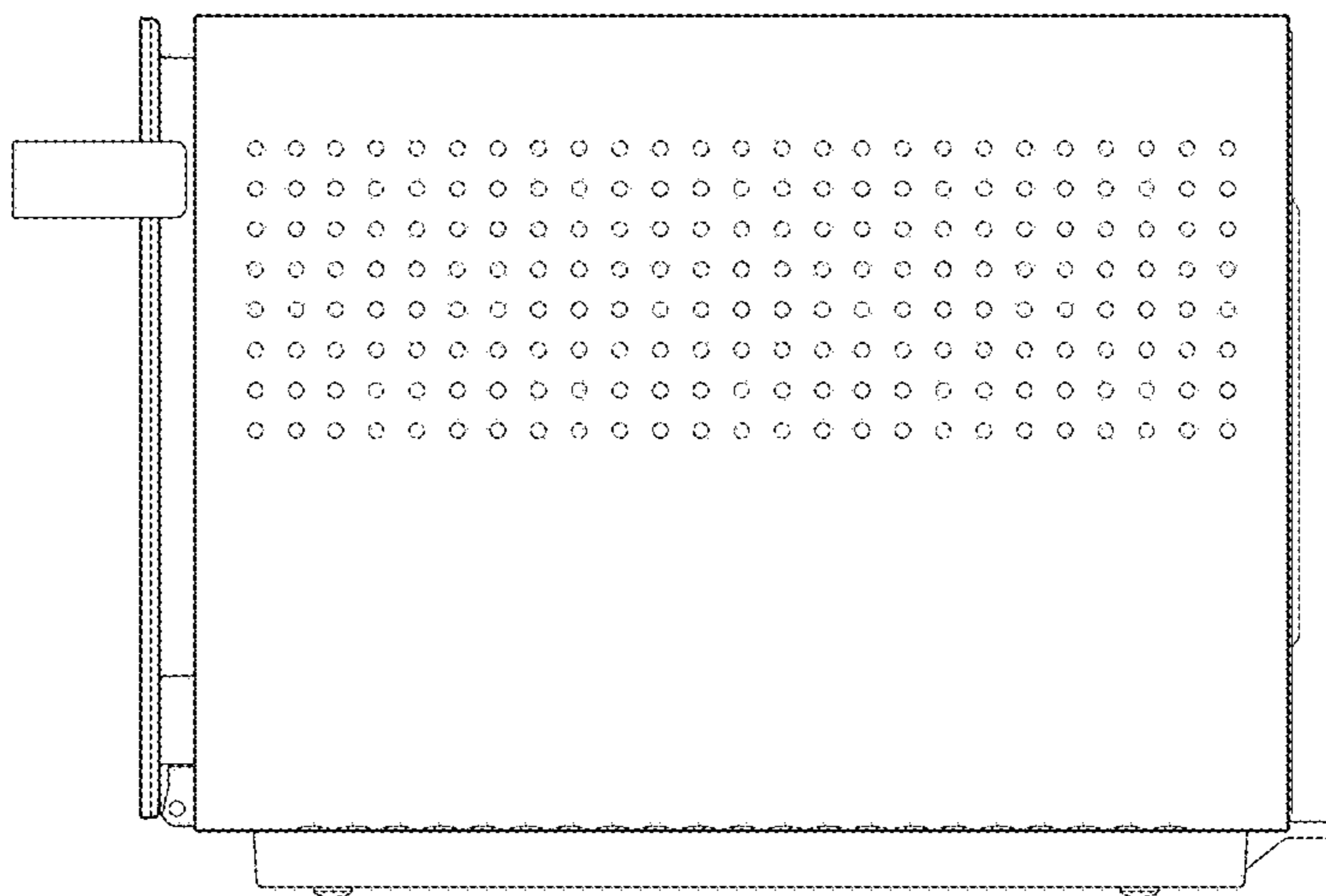


FIG. 14

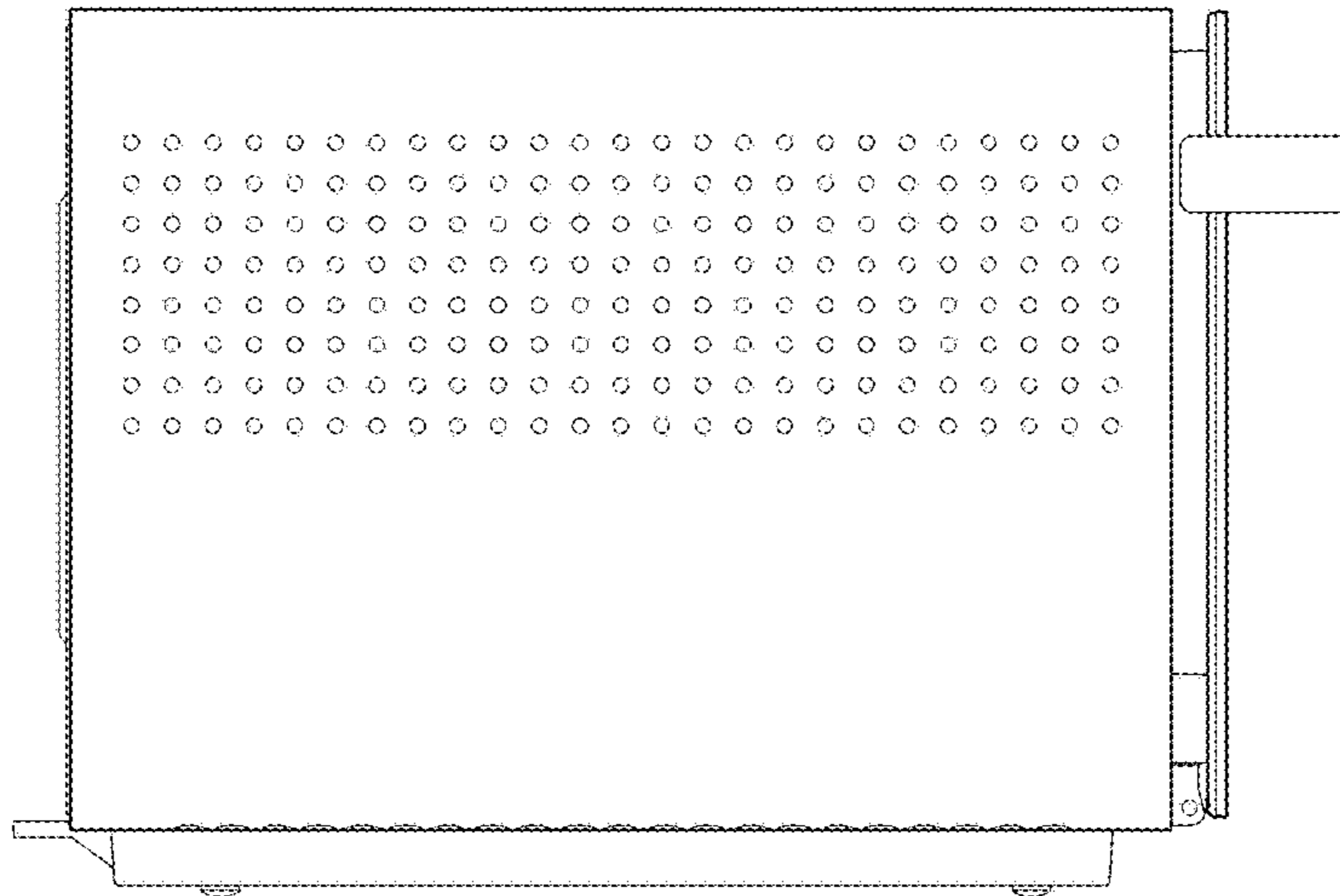


FIG. 15

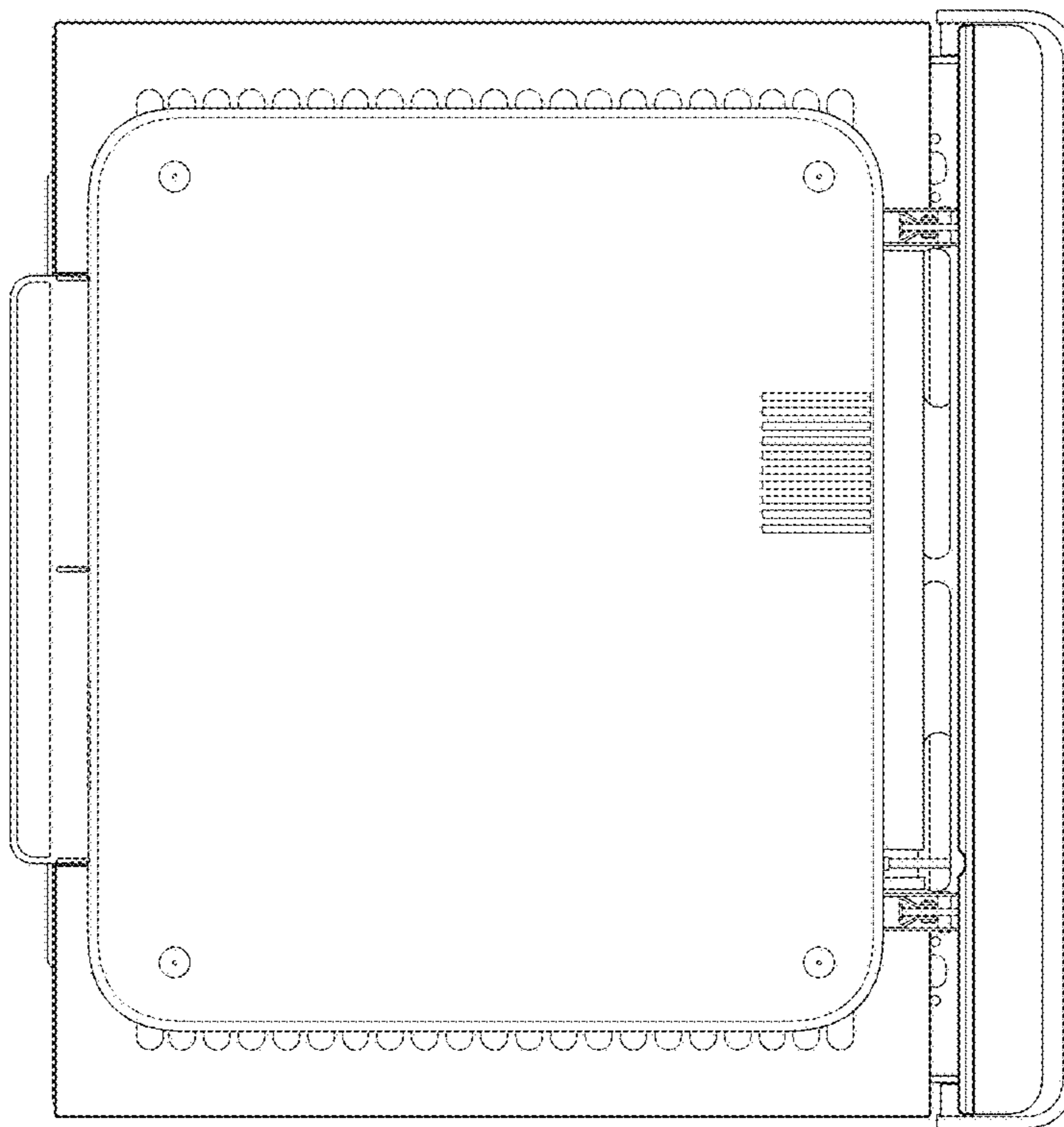


FIG. 16

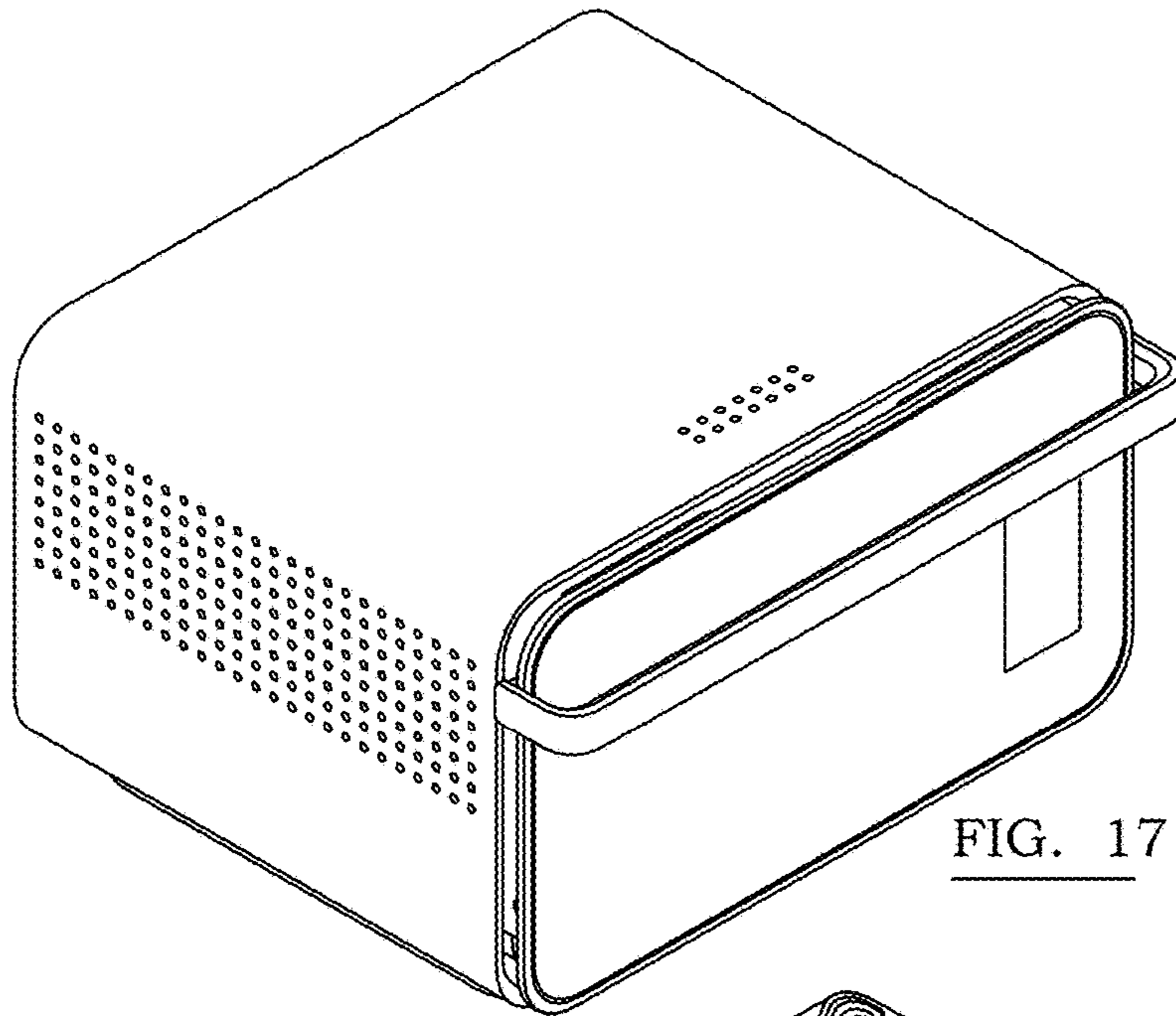


FIG. 17

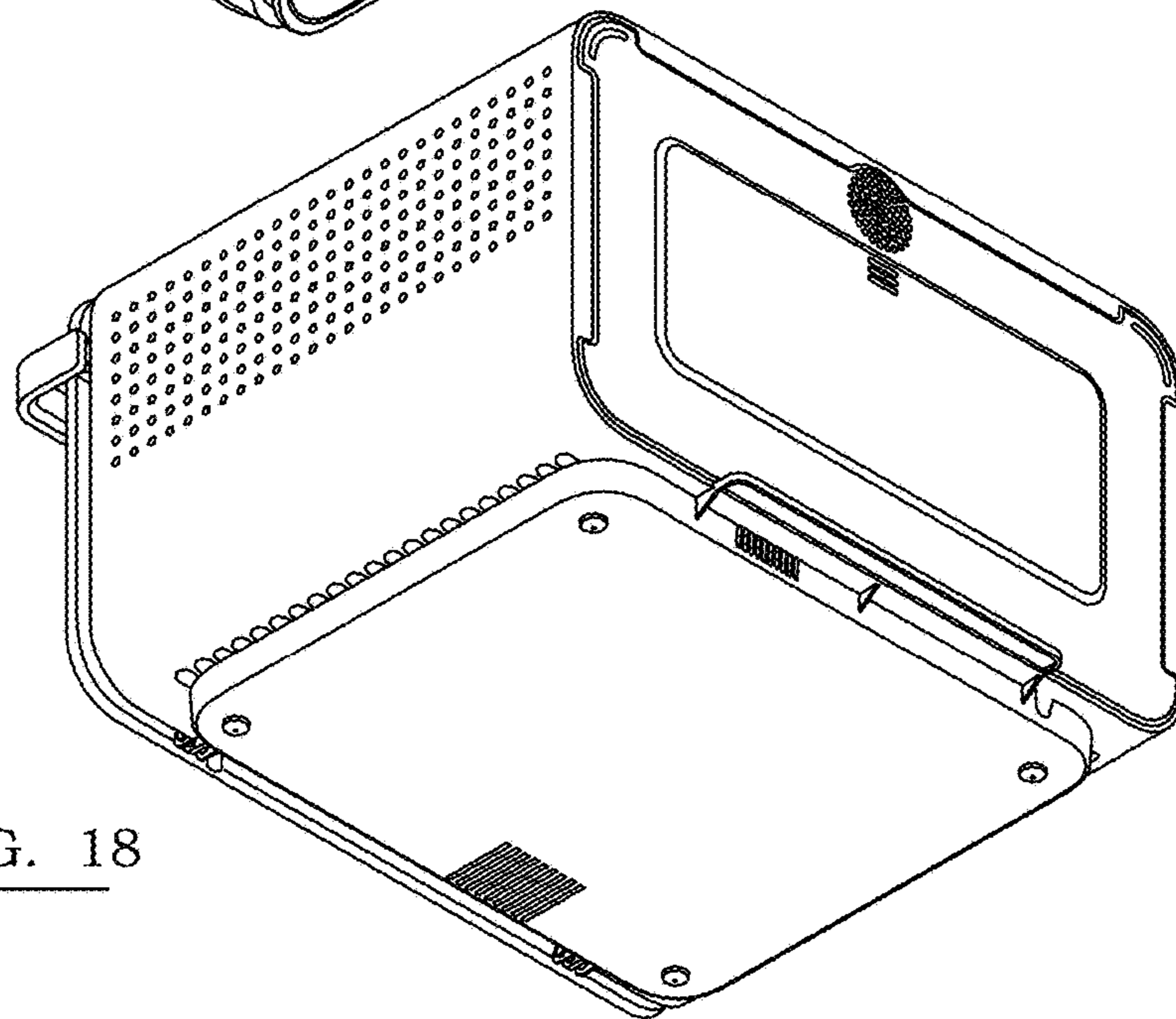


FIG. 18

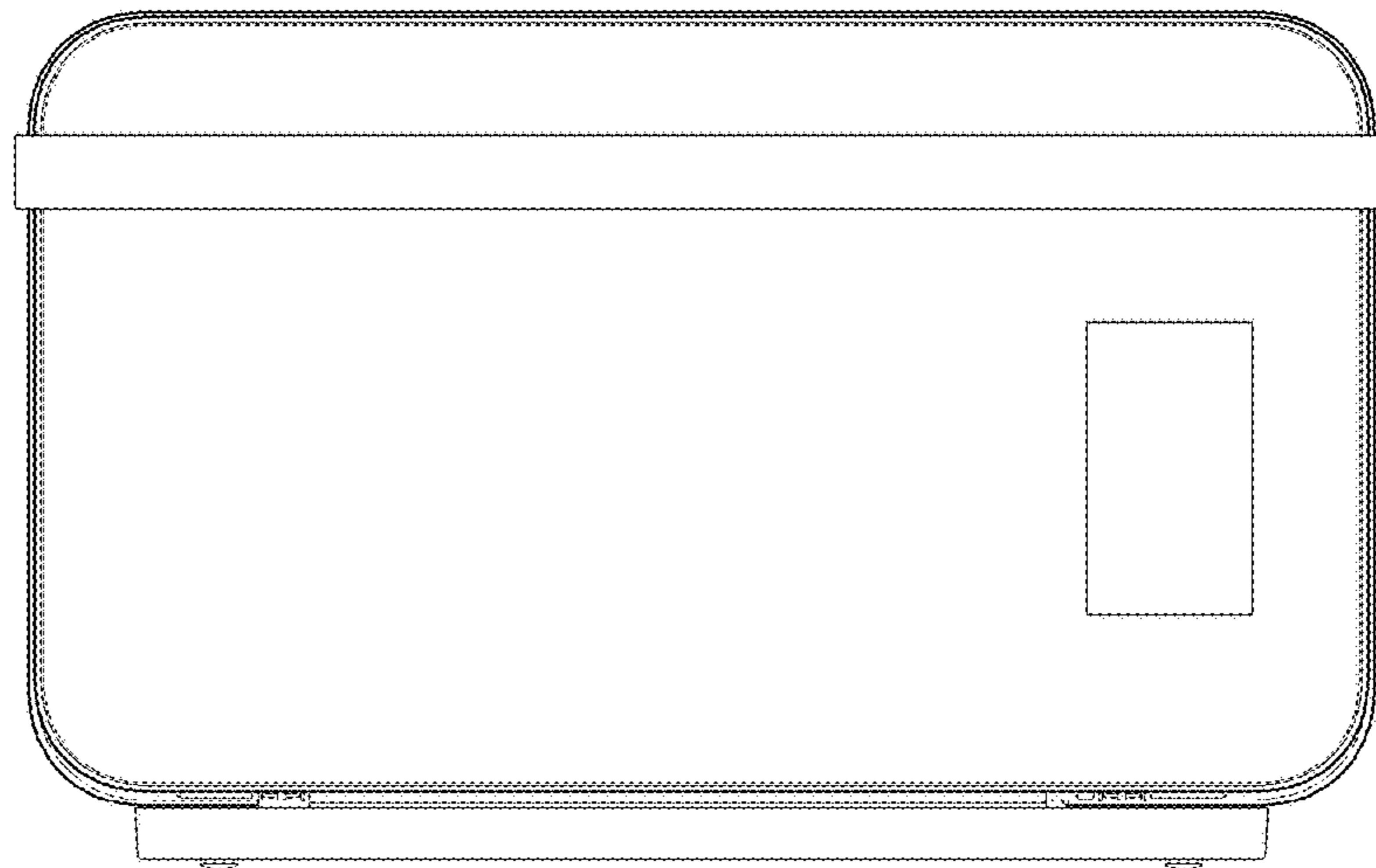


FIG. 19

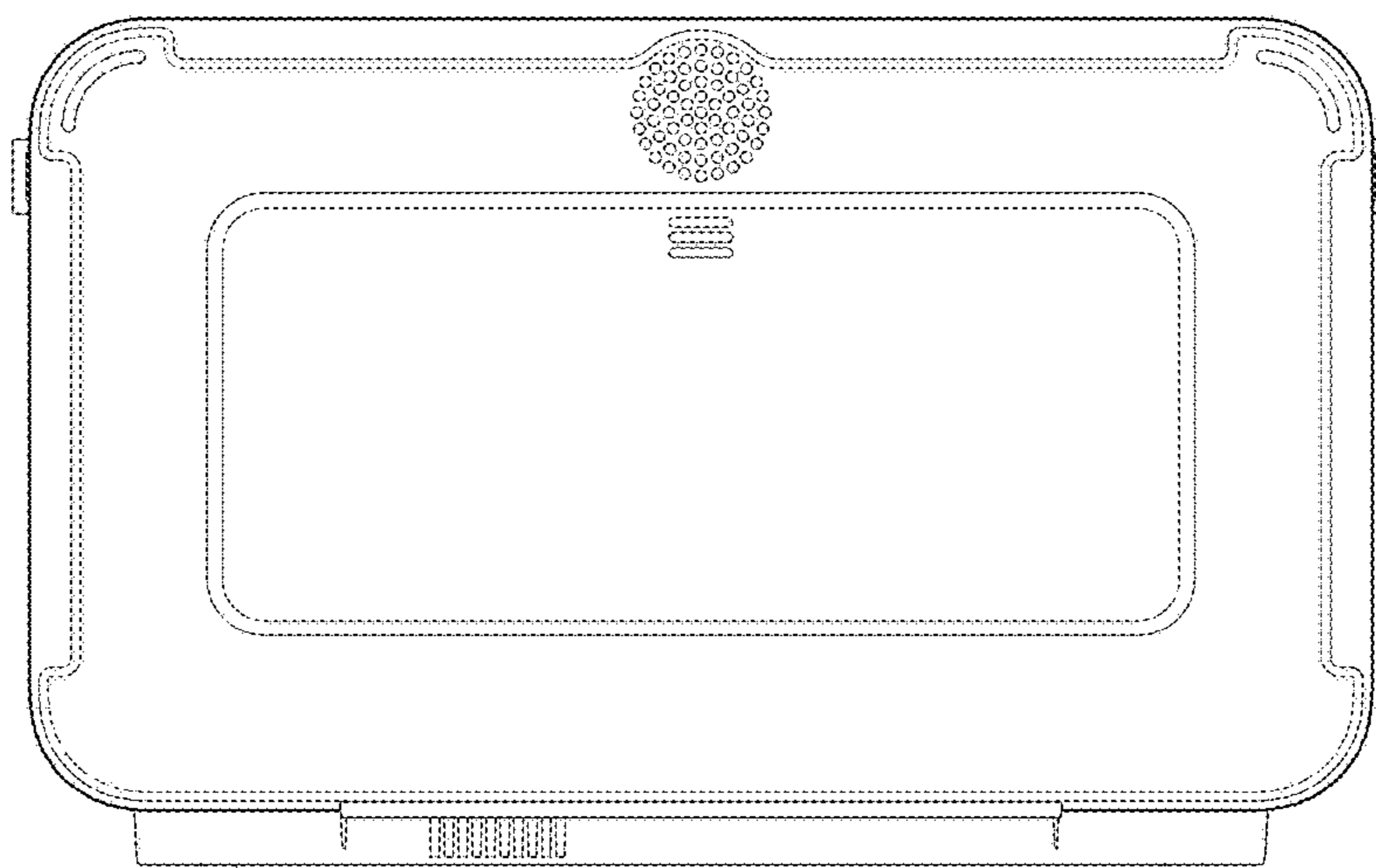


FIG. 20

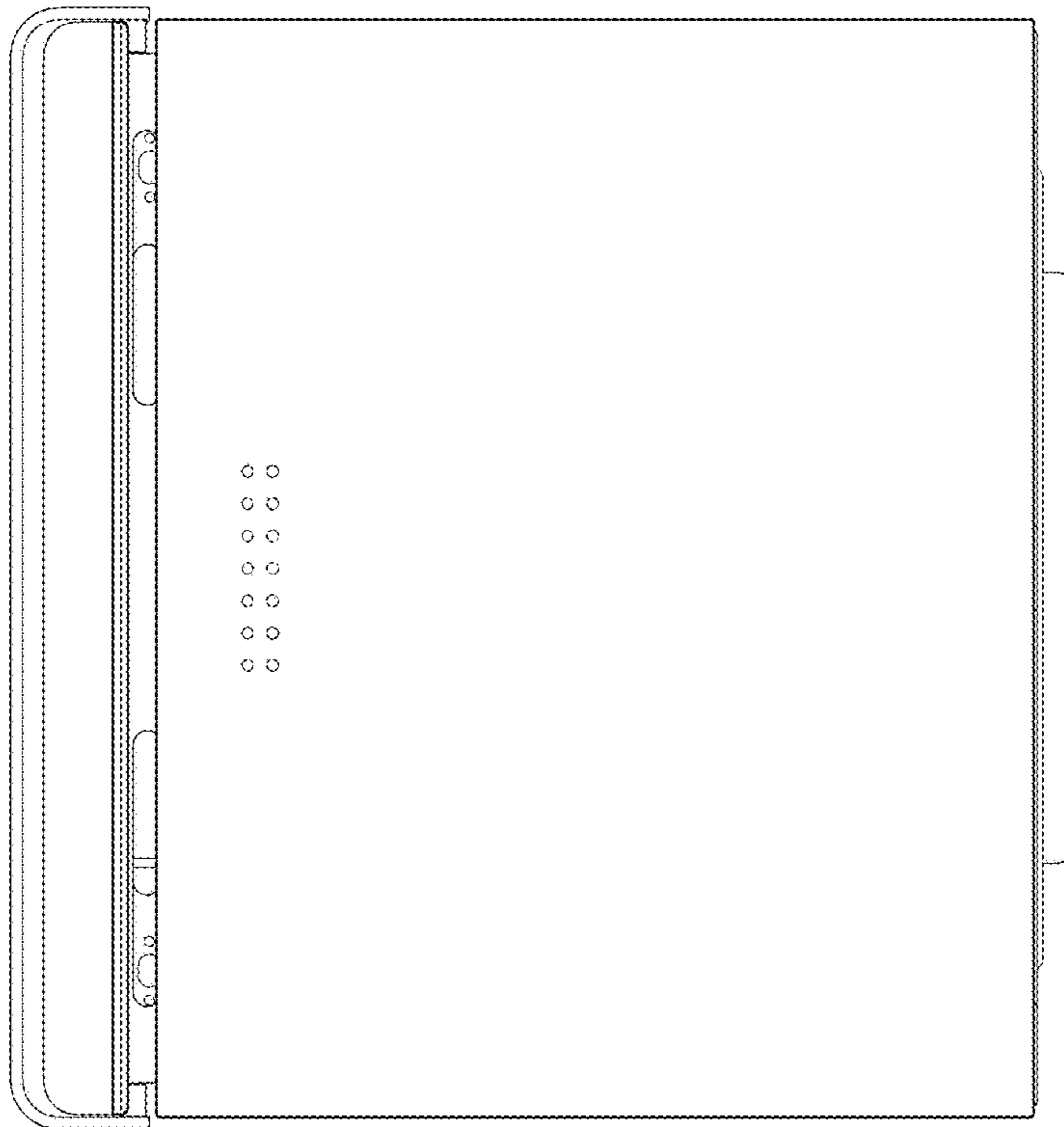


FIG. 21

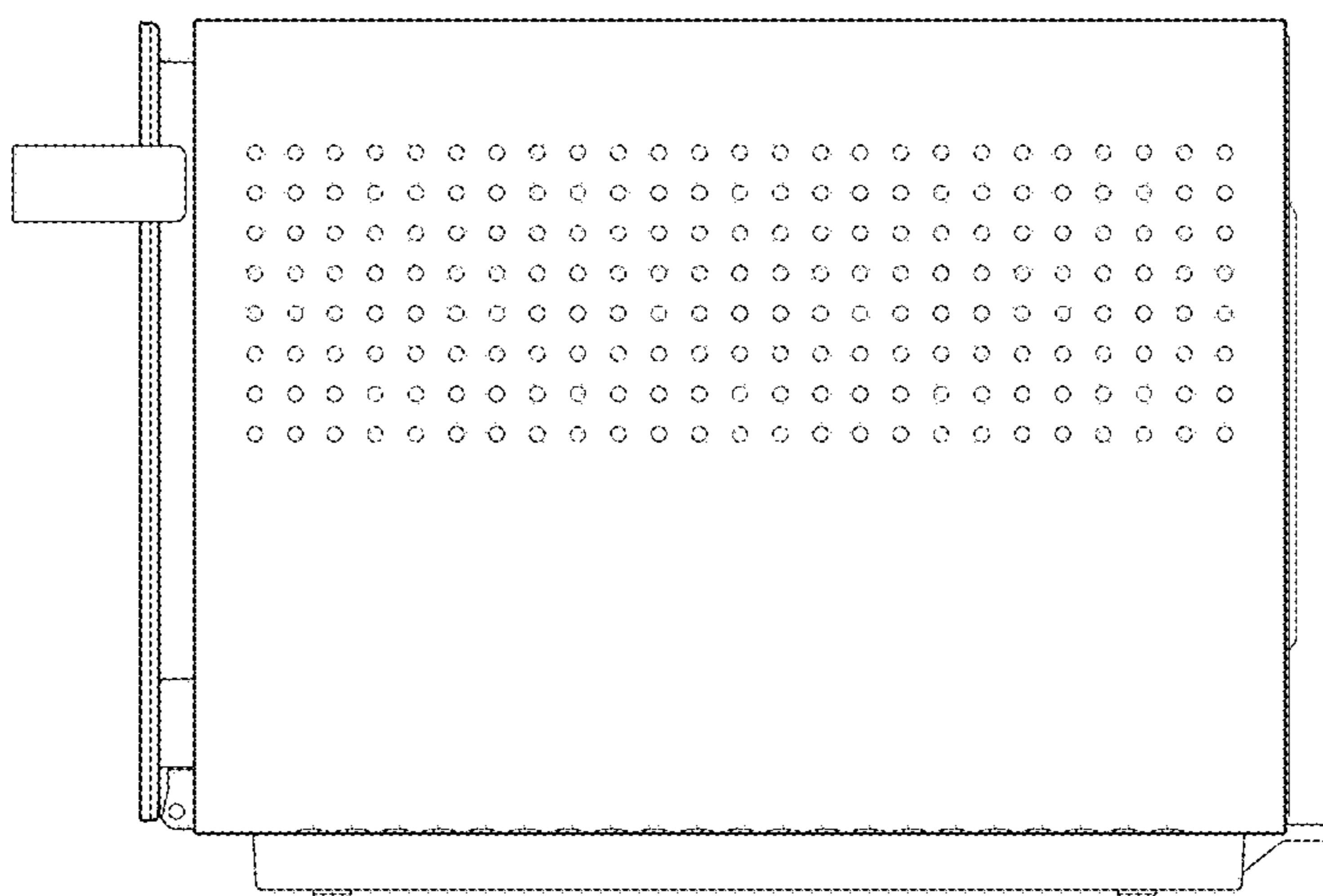


FIG. 22

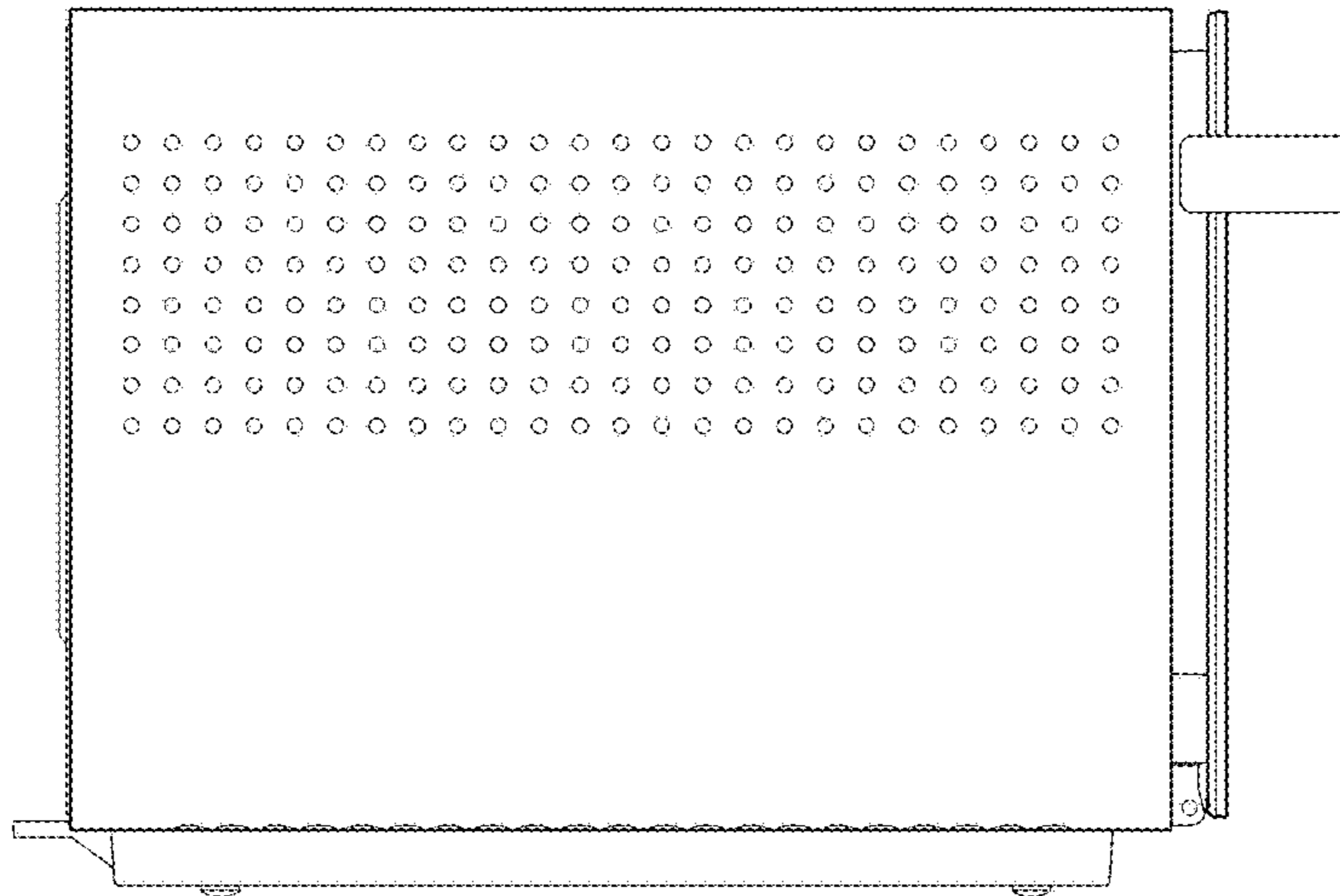


FIG. 23

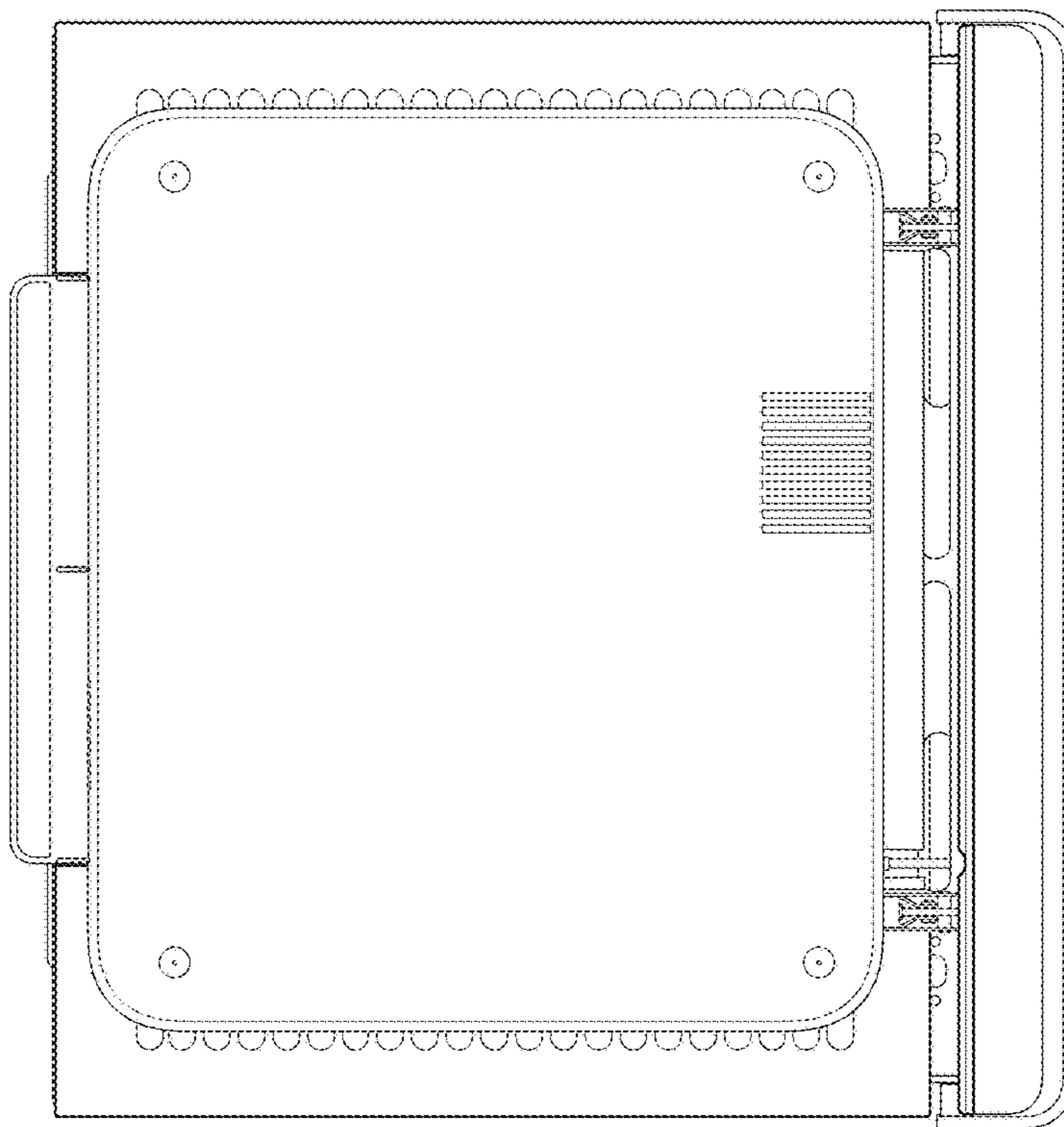


FIG. 24