



US00D861408S

(12) **United States Design Patent** (10) **Patent No.:** **US D861,408 S**
Hagger (45) **Date of Patent:** **** *Oct. 1, 2019**

- (54) **KETTLE**
- (71) Applicant: **William Evans Retail LTD**, Wales (GB)
- (72) Inventor: **Sam Hagger**, Woking (GB)
- (73) Assignee: **WILLIAM EVANS RETAIL LTD.**, Wales (GB)
- (*) Notice: This patent is subject to a terminal disclaimer.
- (**) Term: **15 Years**
- (21) Appl. No.: **29/647,912**
- (22) Filed: **May 16, 2018**
- (51) **LOC (12) Cl.** **07-01**
- (52) **U.S. Cl.**
USPC **D7/312**
- (58) **Field of Classification Search**
USPC D7/300, 302, 309, 310, 316-319, 312, D7/322, 601, 602, 605, 619.1, 622; D9/544, 545, 549
CPC A47G 19/14; A47J 27/21; A47J 27/21008; A47J 27/21041; A47J 36/14
See application file for complete search history.

7,464,637	B1	12/2008	Lin	
8,387,517	B2	3/2013	Geissler	
D683,584	S	6/2013	Gross	
9,016,518	B2	4/2015	Paul	
D742,161	S *	11/2015	Manly D7/317
D796,888	S *	9/2017	Miller D23/212
9,943,185	B2	4/2018	Chen	
D828,070	S *	9/2018	Wastney D7/321
10,136,751	B2 *	11/2018	Bugatti A47J 27/21141
2003/0012256	A1	1/2003	Burkholder	
2004/0056027	A1	3/2004	Miller	
2006/0011630	A1	1/2006	Mulle	
2015/0122688	A1	5/2015	Dias	
2015/0245743	A1	9/2015	Rosenfeld	
2017/0280913	A1 *	10/2017	Tseng A47J 27/21175
2018/0099793	A1	4/2018	Beber	

* cited by examiner

Primary Examiner — Derrick E Holland
Assistant Examiner — Andrew Kerr
(74) *Attorney, Agent, or Firm* — Hemingway & Hansen, LLP; D. S. Hemingway; Elizabeth Hartman

(57) **CLAIM**

The ornamental design for a kettle, as shown and described.

DESCRIPTION

FIG. 1 is a front perspective view of a kettle of the present application;
FIG. 2 is a front view thereof;
FIG. 3 is a rear view thereof;
FIG. 4 is right side view thereof;
FIG. 5 is a left side view thereof;
FIG. 6 is a top view thereof; and,
FIG. 7 is a bottom view thereof.
The broken lines shown in FIG. 7 are for the purpose of illustrating portions of the kettle that form no part of the claimed design.

1 Claim, 7 Drawing Sheets

- (56) **References Cited**
U.S. PATENT DOCUMENTS
- 3,355,045 A 11/1967 Douglas
- D232,411 S 8/1974 Douglas
- 3,974,758 A 8/1976 Stone, Jr.
- 4,498,375 A 2/1985 Bedini
- 4,718,566 A 1/1988 Wunder
- 4,721,214 A 1/1988 Wandel
- D488,340 S 4/2004 Zimmermann
- 6,968,984 B2 11/2005 Mulle
- 7,091,455 B2 * 8/2006 Fung A47J 27/2105
219/429
- D561,519 S 2/2008 Ranzoni





FIG. 1

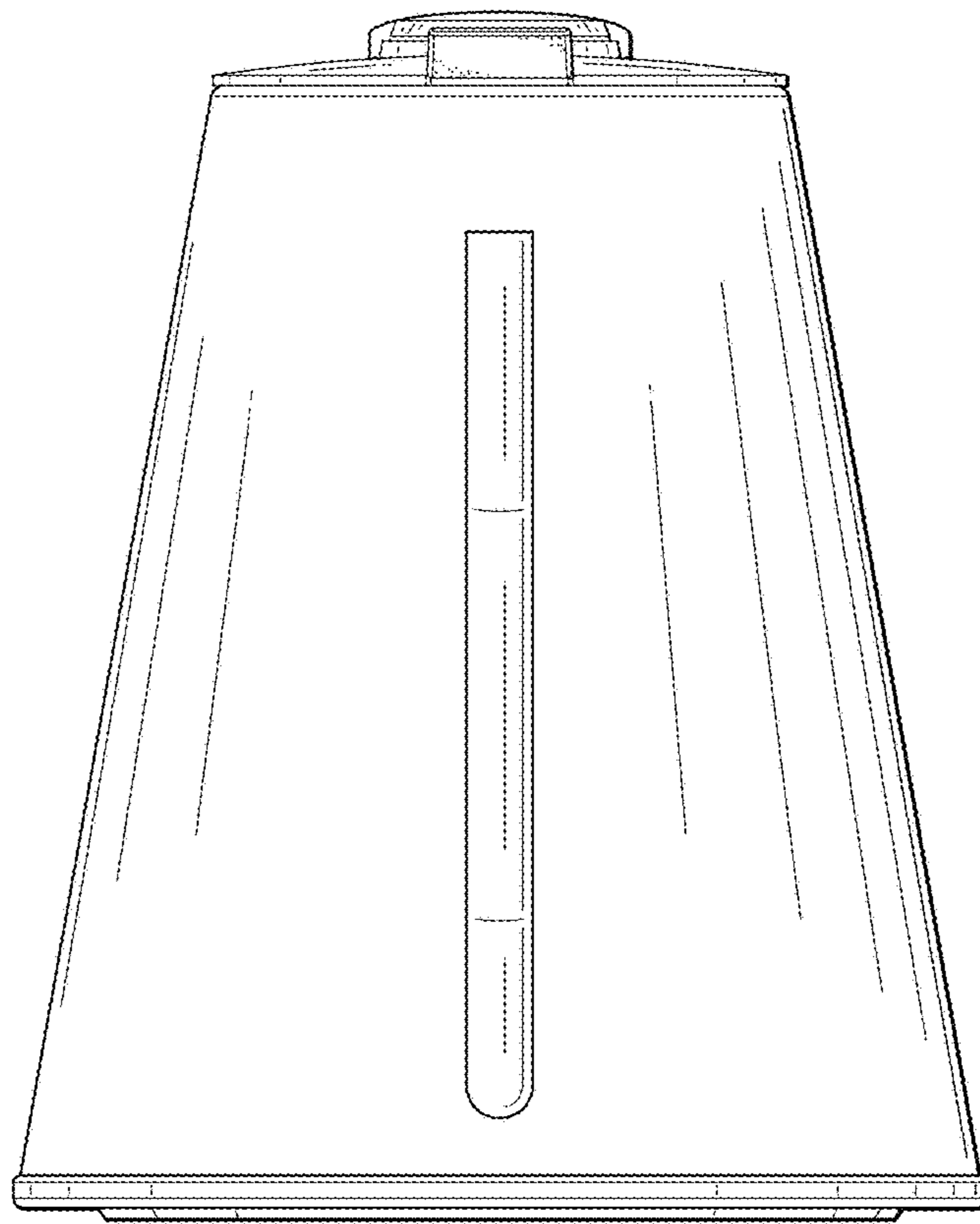


FIG. 2

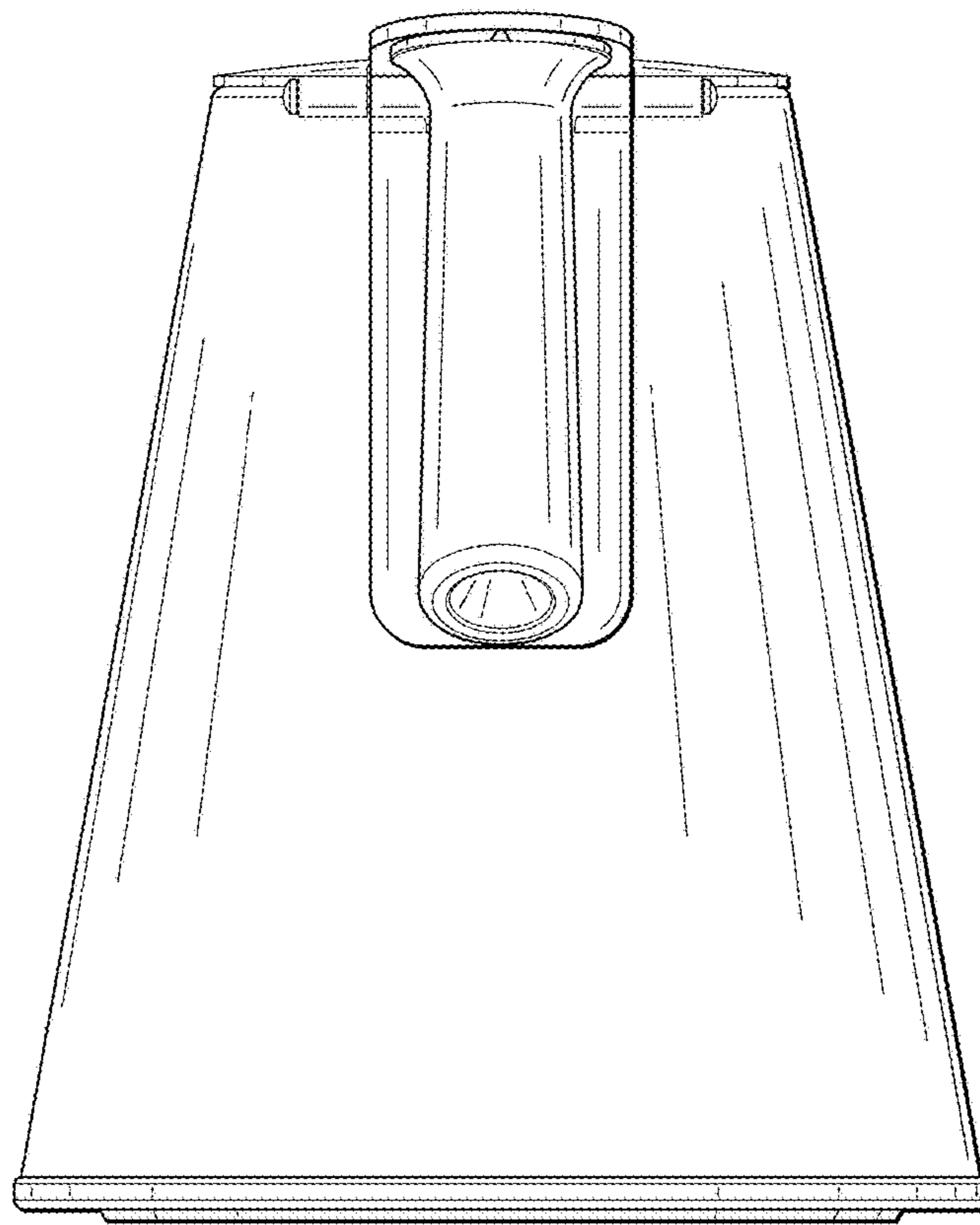


FIG. 3

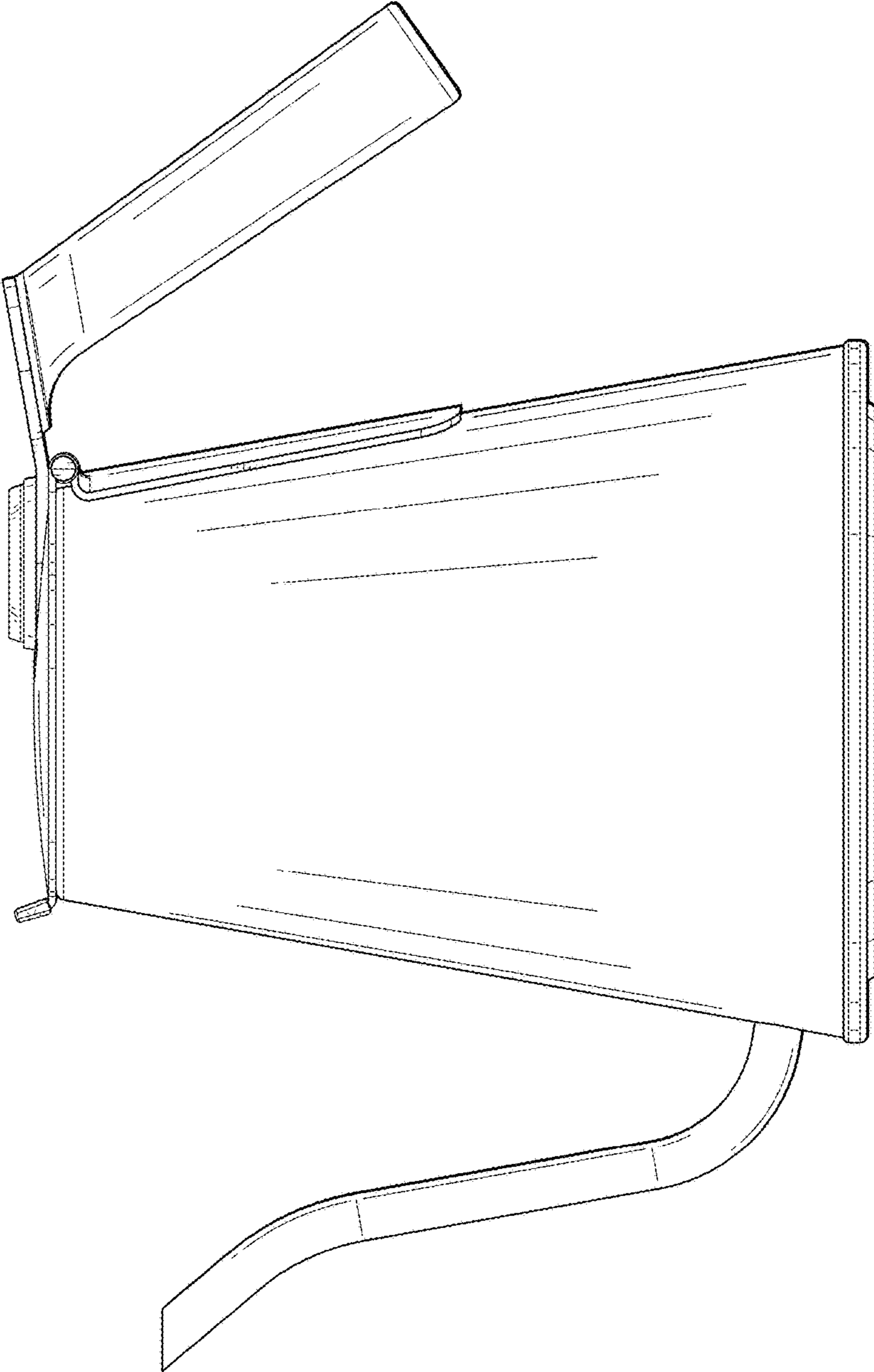


FIG. 4

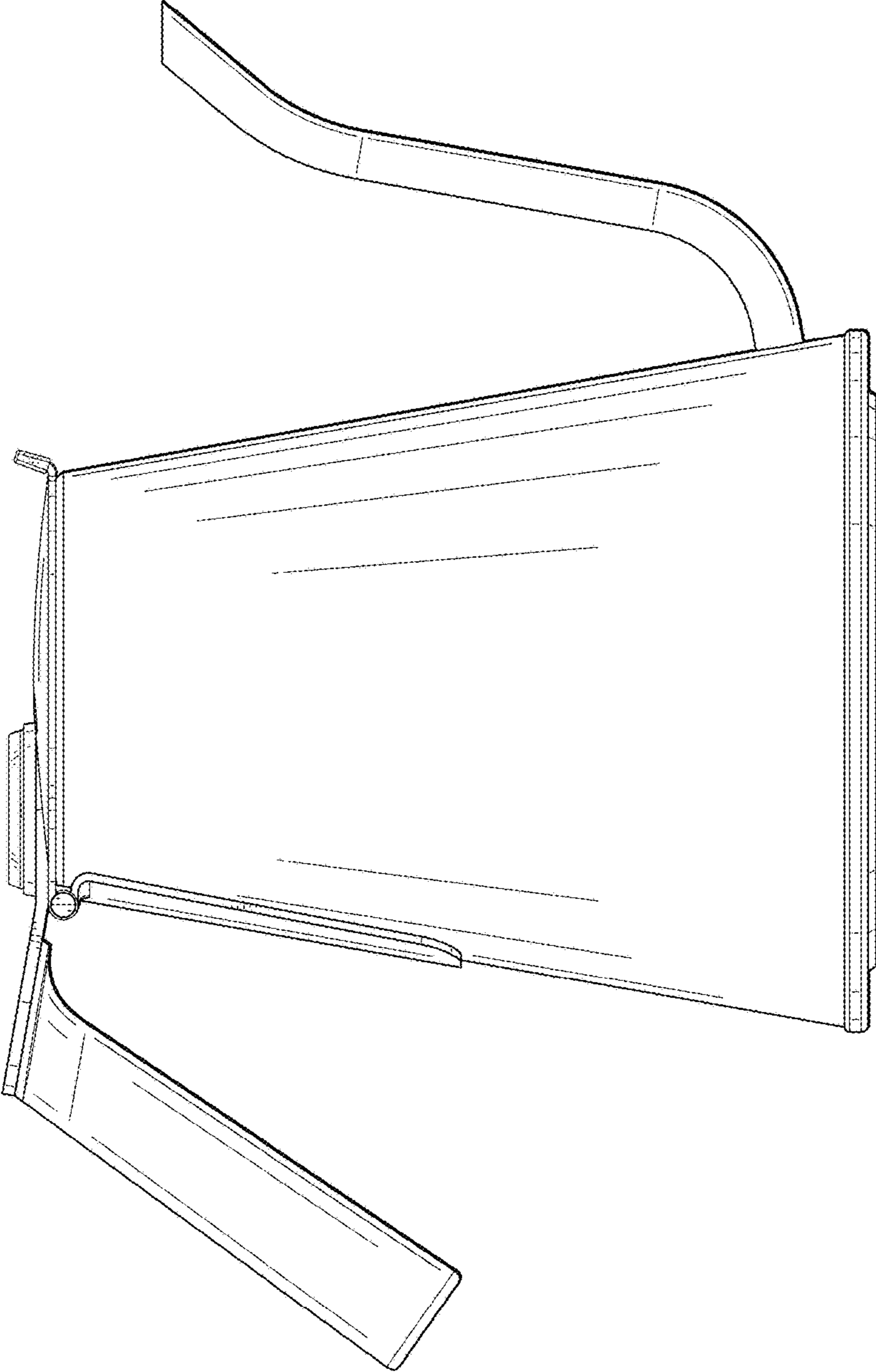


FIG. 5

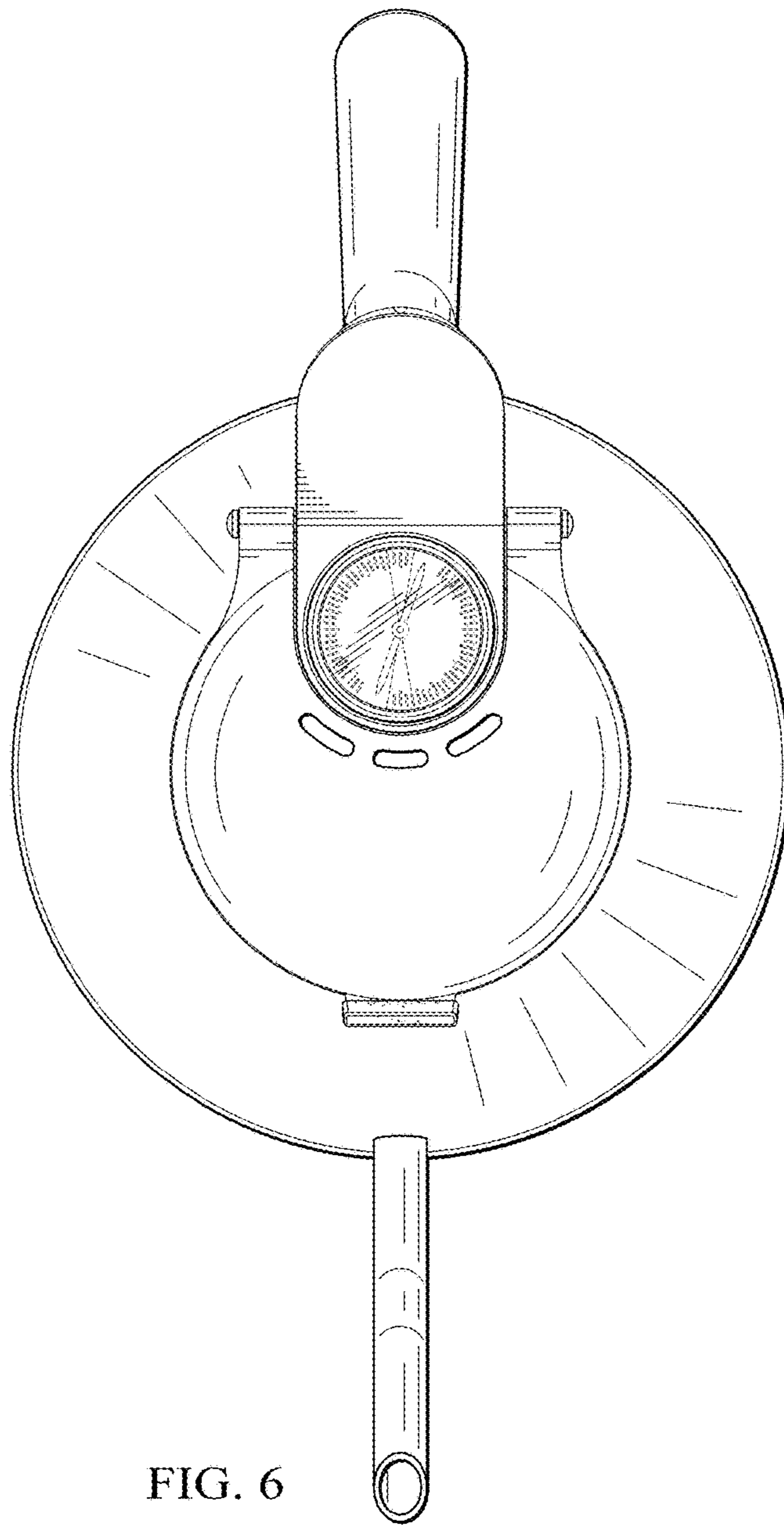


FIG. 6

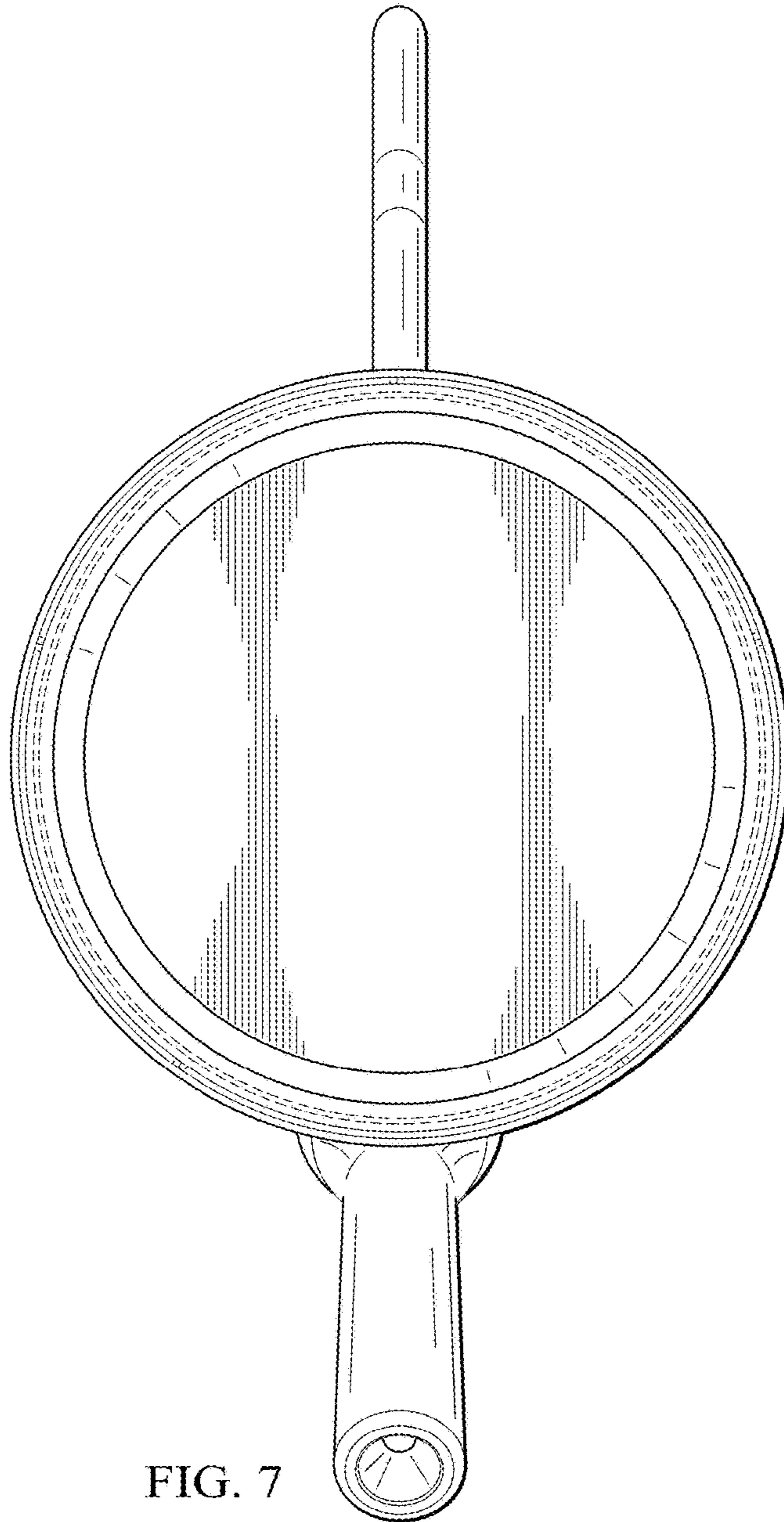


FIG. 7