



US00D861407S

(12) **United States Design Patent** (10) **Patent No.:** **US D861,407 S**
Vu et al. (45) **Date of Patent:** **** Oct. 1, 2019**

(54) **COFFEE MAKER**
(71) Applicant: **DE'LONGHI BRAUN HOUSEHOLD GmbH, Neu-Isenburg (DE)**
(72) Inventors: **Duy Phong Vu, Schwalbach am Taunus (DE); Sven Wuttig, Griesheim (DE); Dennis Müller, Frankfurt am Main (DE); Markus Orthey, Eltville am Rhein (DE); Julia Bassarek, Frankfurt am Main (DE)**
(73) Assignee: **De'Longhi Braun Household GmbH, Neu-Isenburg (DE)**
(**) Term: **15 Years**
(21) Appl. No.: **29/618,671**
(22) Filed: **Sep. 22, 2017**

D319,167 S * 8/1991 Adams D7/308
D321,807 S * 11/1991 Adams D7/308
D339,263 S * 9/1993 McCloskey D7/309
D339,502 S 9/1993 Kamiyama
D353,075 S 12/1994 Littmann et al.
D356,712 S * 3/1995 Brady D7/309
D380,928 S * 7/1997 Trybus D7/309
D389,694 S * 1/1998 Vinson D7/307
D391,441 S 3/1998 Tanaka et al.
D402,779 S 12/1998 Gudefin
D404,246 S 1/1999 Arita et al.
D409,875 S * 5/1999 Alonge D7/309
D437,523 S 2/2001 Glucksman et al.
D462,226 S * 9/2002 Williamson D7/309
D500,427 S 1/2005 Fung
D509,936 S 9/2005 Barquin Santillan
D550,499 S * 9/2007 Argabrite D7/309
D594,165 S 6/2009 Mizoguchi
D594,166 S 6/2009 Mizoguchi
D610,857 S * 3/2010 Pateman D7/306
D611,288 S 3/2010 Bodum
D629,989 S 12/2010 Hoellerich et al.

(Continued)

(30) **Foreign Application Priority Data**

Mar. 23, 2017 (EM) 003819713-0009

(51) **LOC (12) Cl.** **07-01**

(52) **U.S. Cl.**
USPC **D7/310; D7/311; D7/309**

(58) **Field of Classification Search**
USPC D7/300, 306-311, 305, 355, 362, 365, D7/367; 222/146.6, 185.1, 135; 99/295, 99/273, 304, 288, 279, 307, 283, 294, 99/300
CPC A47J 31/46; A47J 31/407; A47J 31/50; A47J 31/18; A47J 31/00; A47J 27/04; A47J 31/0573; A47J 31/057; A47J 31/0642; A47J 31/3628; A47J 31/4407; A47J 31/445

See application file for complete search history.

(56) **References Cited**

U.S. PATENT DOCUMENTS

D242,892 S 1/1977 Brown et al.
D300,596 S * 4/1989 Eugster D7/309

Primary Examiner — Marianne N Pandozzi

(74) *Attorney, Agent, or Firm* — BakerHostetler

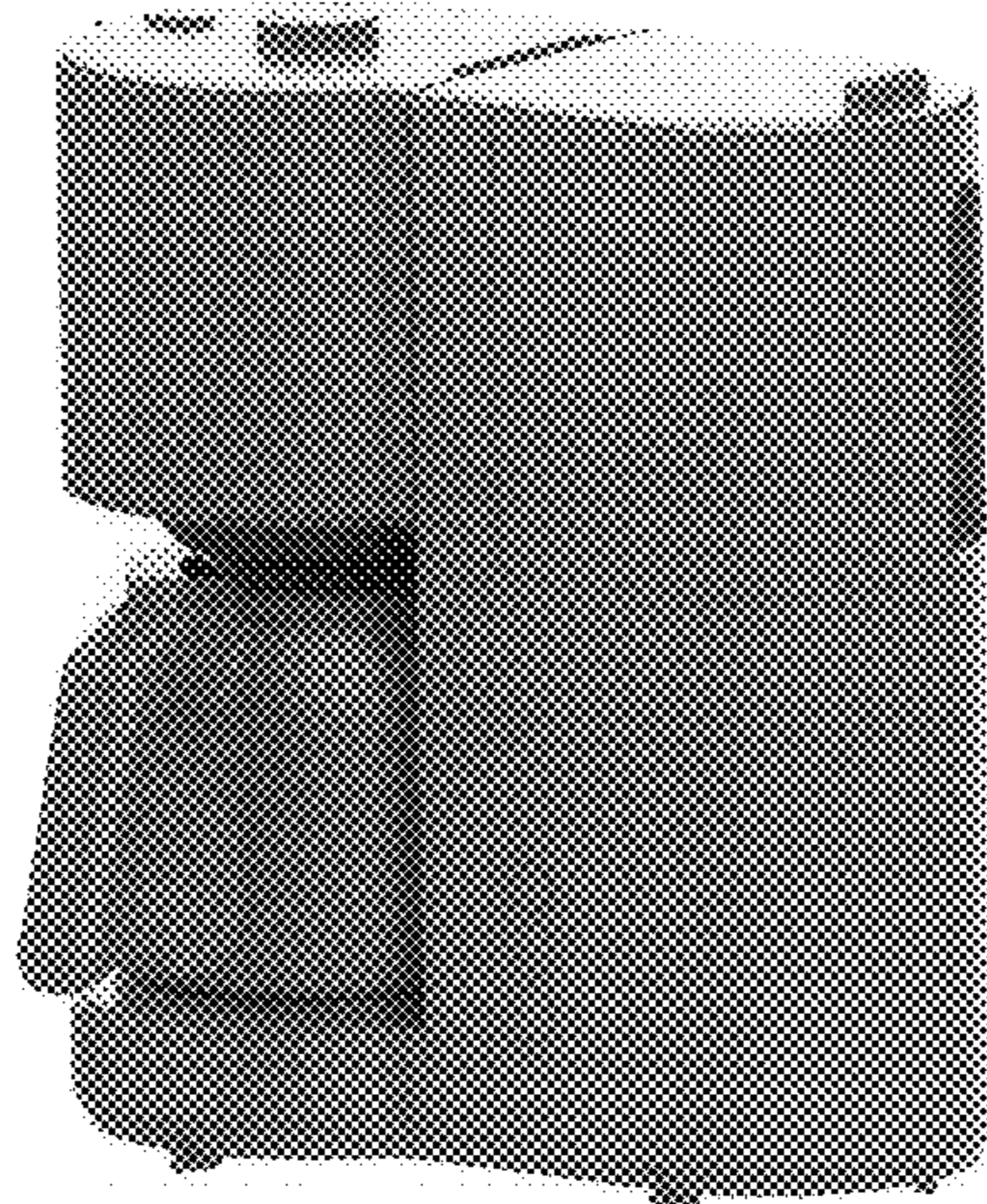
(57) **CLAIM**

We claim the ornamental design for a coffee maker, as shown and described.

DESCRIPTION

FIG. 1 is a right side perspective view of a coffee maker according to our new design;
FIG. 2 is a front elevation view thereof;
FIG. 3 is a back elevation view thereof;
FIG. 4 is a left side elevation view thereof;
FIG. 5 is a right side elevation view thereof;
FIG. 6 is a bottom plan view thereof; and,
FIG. 7 is a top plan view thereof.

1 Claim, 7 Drawing Sheets



(56)

References Cited

U.S. PATENT DOCUMENTS

D629,991 S	12/2010	Day et al.	D728,886 S	5/2015	Whitney	
D635,316 S	3/2011	Massip et al.	D730,674 S *	6/2015	De'Longh	D7/309
D642,762 S	8/2011	Agren et al.	D734,582 S	7/2015	Umeda et al.	
D645,629 S	9/2011	Powell	D738,669 S	9/2015	Brook	
D646,863 S	10/2011	Hosoda et al.	D739,108 S	9/2015	Orthey et al.	
D653,905 S	2/2012	Bodum	D741,101 S *	10/2015	Luippold	D7/306
D659,929 S	5/2012	Yan	D747,059 S	1/2016	Esteve	
D668,413 S	10/2012	Smith	D760,009 S *	6/2016	Moammer	D7/309
D673,419 S	1/2013	De Pra	D764,863 S	8/2016	Lee et al.	
D676,209 S	2/2013	Sirard	D773,144 S	11/2016	Tan	
D676,210 S	2/2013	Sirard	D777,498 S *	1/2017	Bandixen	D7/306
D688,909 S	9/2013	Chapman et al.	D794,993 S	8/2017	Hand	
D694,059 S	11/2013	De Pra	D796,142 S	8/2017	Miller et al.	
D708,409 S	7/2014	Renault	D799,772 S	10/2017	Choi	
D708,921 S	7/2014	Hoare et al.	D800,984 S	10/2017	Mueller et al.	
D712,109 S	8/2014	Day et al.	D804,893 S	12/2017	De Longhi et al.	
D715,012 S	10/2014	Ringholm et al.	D811,148 S	2/2018	Harrod	
D718,512 S	11/2014	Whitney	D814,222 S	4/2018	Bronwasser	
D721,531 S *	1/2015	Krasne	D815,482 S	4/2018	Bell et al.	
		D7/309	2008/0235998 A1	10/2008	Yeung et al.	
			2010/0307034 A1	12/2010	Knott et al.	

* cited by examiner

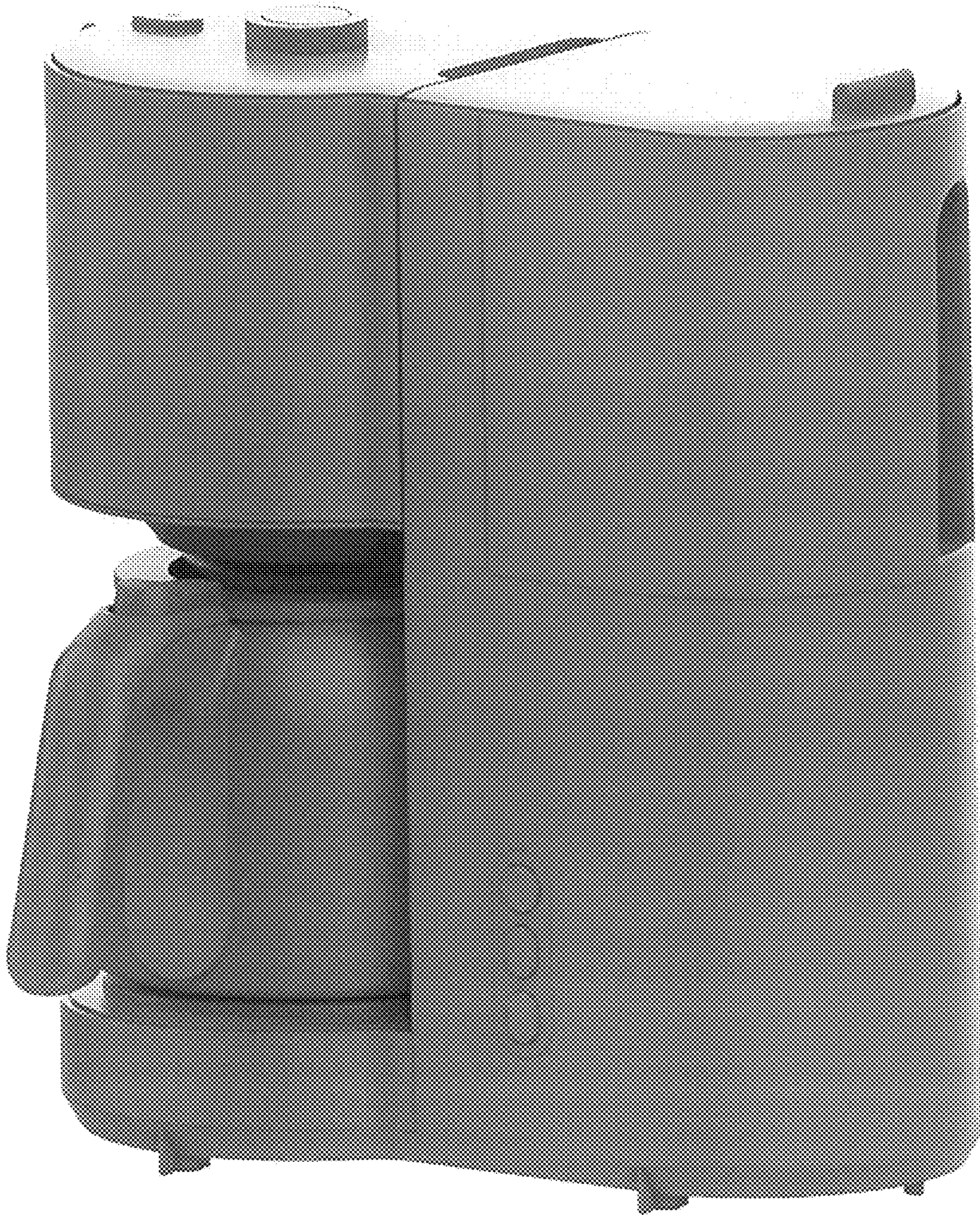


FIG. 1



FIG. 2



FIG. 3

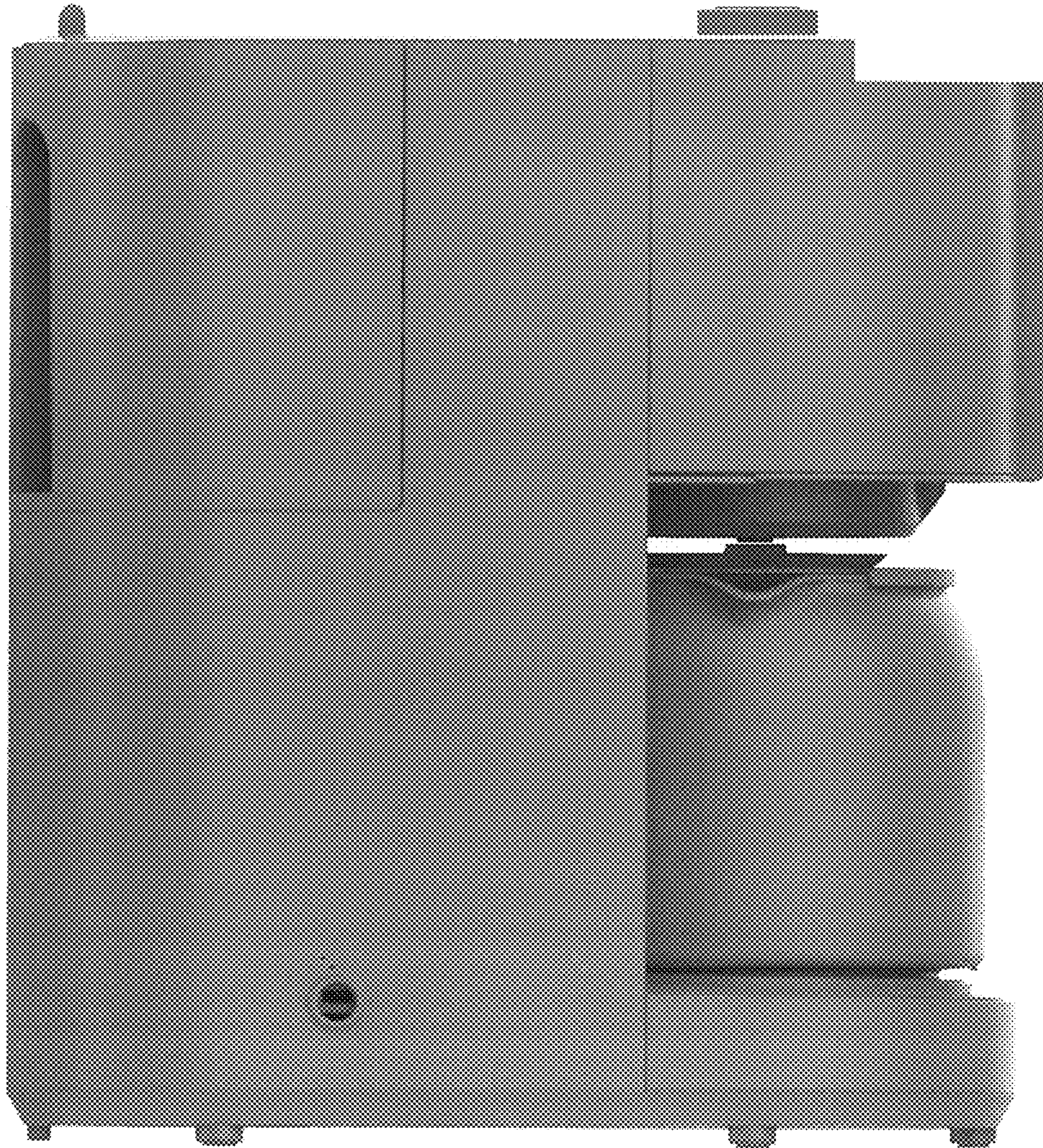


FIG. 4

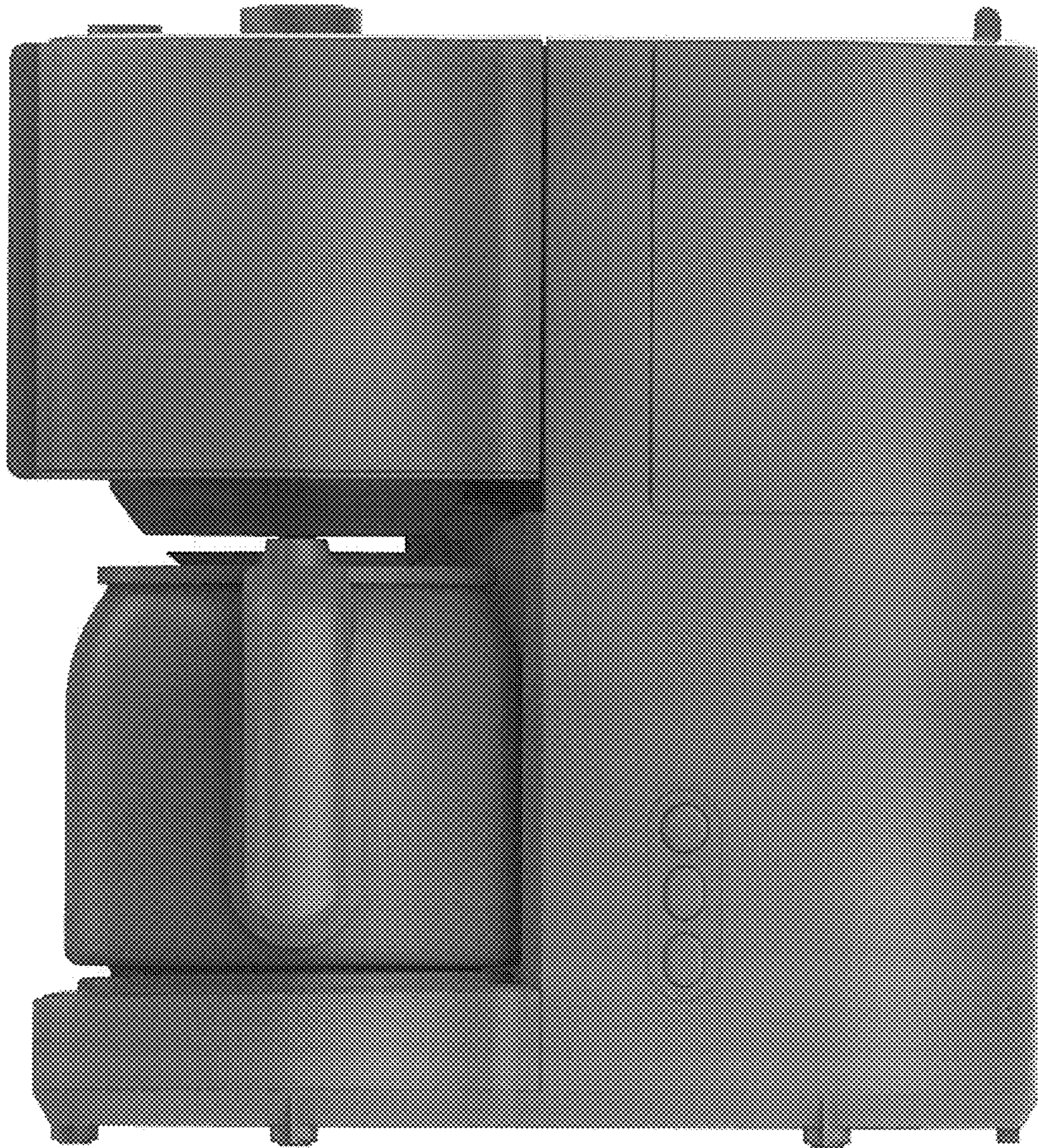


FIG. 5

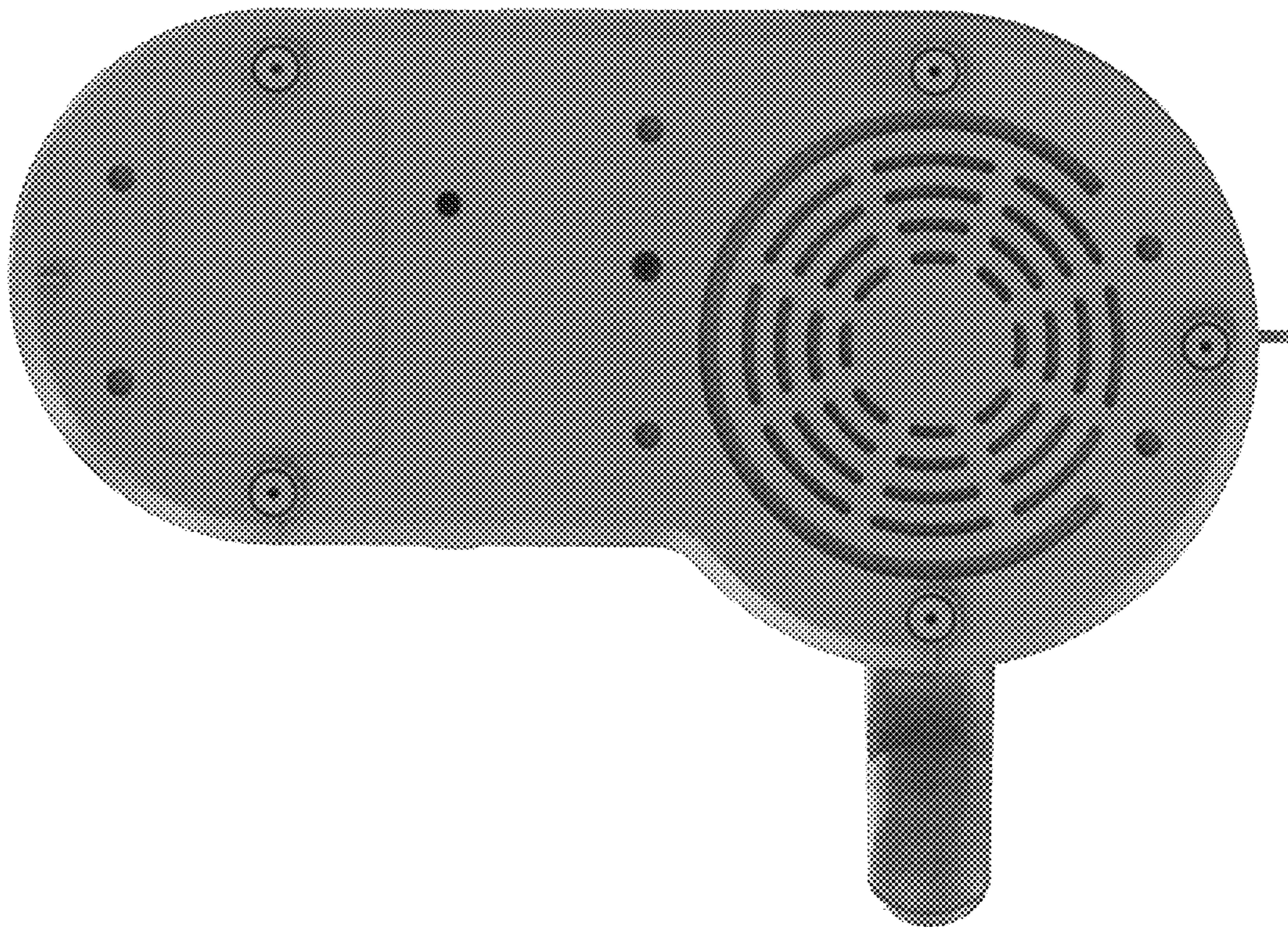


FIG. 6

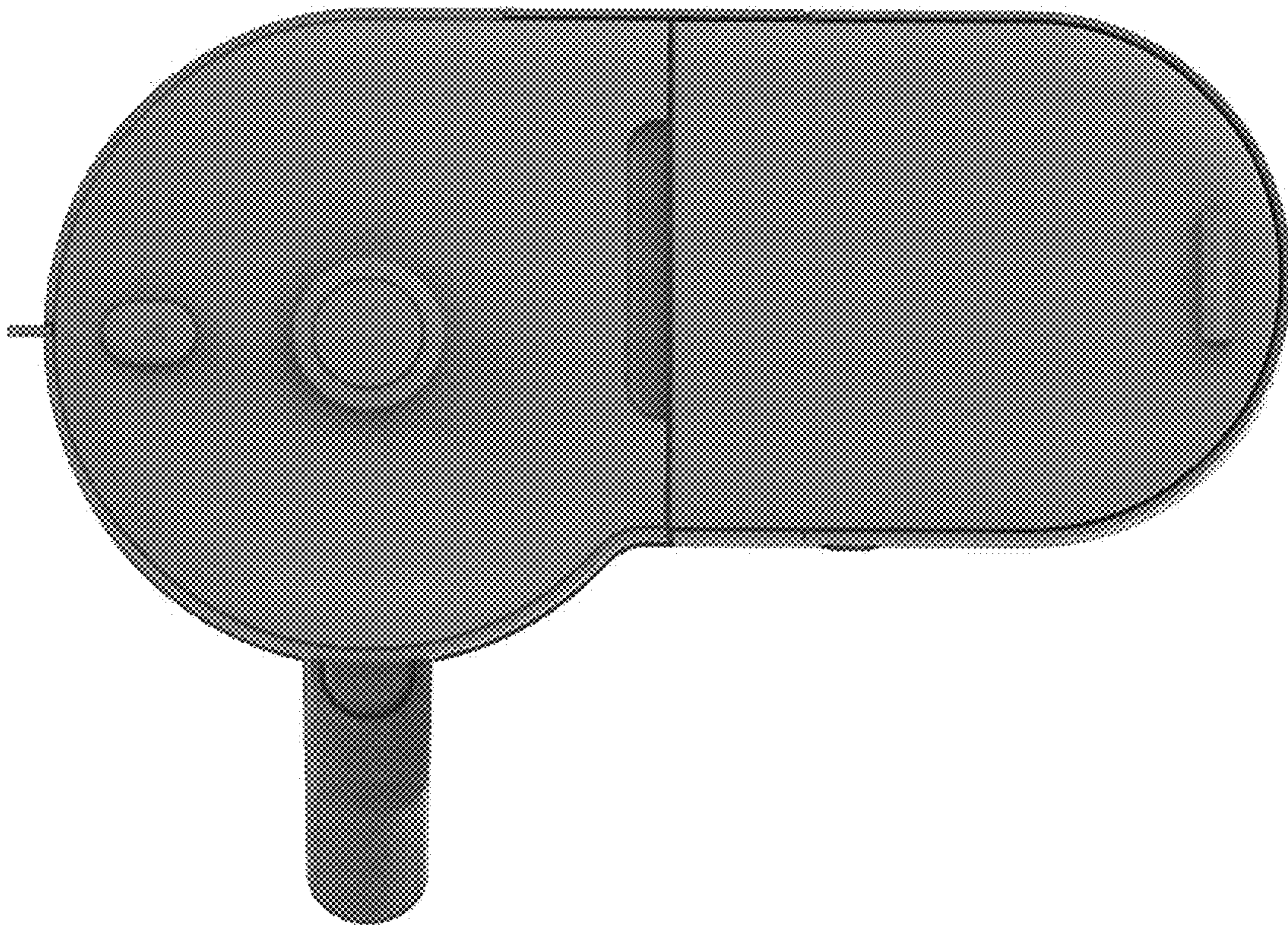


FIG. 7