

US00D861405S

(12) **United States Design Patent** (10) **Patent No.:** **US D861,405 S**
Abadie (45) **Date of Patent:** **** Oct. 1, 2019**

(54) **SEATING DEVICE**
(71) Applicant: **Gary Platt Manufacturing, LLC,**
Reno, NV (US)
(72) Inventor: **Edmond E. Abadie,** Reno, NV (US)
(73) Assignee: **Gary Platt Manufacturing, LLC,**
Reno, NV (US)

5,542,748 A 8/1996 Barile
D395,758 S * 7/1998 Hutton D6/380
D411,699 S 6/1999 Bond et al.
D421,187 S 2/2000 Kaiser
D441,557 S 5/2001 Glass
D477,926 S 8/2003 Haney et al.
D478,430 S * 8/2003 Olson D6/380
D502,013 S 2/2005 Kaiser
D502,014 S 2/2005 Kaiser
(Continued)

(**) Term: **15 Years**

OTHER PUBLICATIONS

(21) Appl. No.: **29/686,150**

NIGA Tradeshow & Convention, Phoenix, AZ, Mar. 24-27, 2013,
Booth #945, retrieved from <http://www.icontact-archive.com/e7t1CYWWjUYQB-9KN9CTVTg7ILnQrvWK?w=1>, 2 pages.

(22) Filed: **Apr. 2, 2019**

(Continued)

(51) **LOC (12) Cl.** **06-01**

(52) **U.S. Cl.**
USPC **D6/716; D6/360**

Primary Examiner — Mimoso De

(58) **Field of Classification Search**
USPC D6/334-336, 360, 366, 374, 375, 376,
D6/379, 380, 716, 716.1, 716.2, 716.3,
D6/716.4
CPC .. A47C 4/02; A47C 4/03; A47C 4/024; A47C
4/028; A47C 5/04; A47C 5/021; A47C
7/18; A47C 7/24; A47C 7/40; A47C
9/007

(74) *Attorney, Agent, or Firm* — Hanley, Flight and
Zimmerman, LLC

See application file for complete search history.

(57) **CLAIM**

The ornamental design for a seating device, substantially as
shown and described.

(56) **References Cited**

DESCRIPTION

U.S. PATENT DOCUMENTS

1,885,630 A 11/1932 Ronan
D144,992 S * 6/1946 Spence D6/380
D147,615 S * 10/1947 Eames D6/374
D205,658 S * 9/1966 Muller D6/374
3,556,591 A 1/1971 Smith
3,907,363 A 9/1975 Baker et al.
D273,729 S * 5/1984 Pelly D6/366
D283,762 S * 5/1986 Caruso D6/360
D315,836 S 4/1991 Kaiser
D333,733 S 3/1993 Sammons
D344,195 S 2/1994 Hare
D347,334 S 5/1994 Fewchuk

FIGS. 1-7 show different views of an ornamental design for
a seating device, namely:

FIG. 1 is a front perspective view of an ornamental design
for a seating device;

FIG. 2 is a front view thereof;

FIG. 3 is a rear view thereof;

FIG. 4 is a left elevation view thereof;

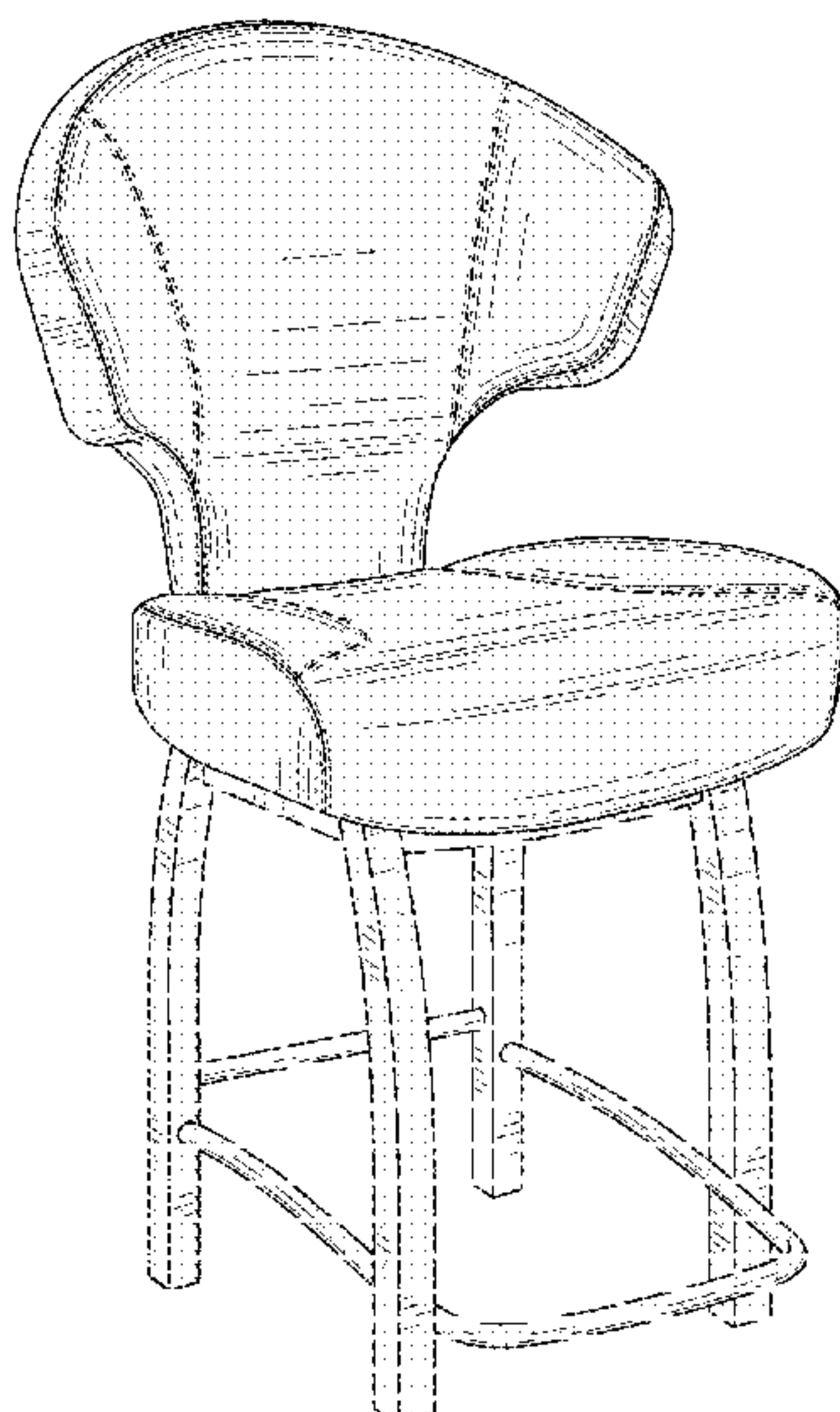
FIG. 5 is a right elevation view thereof;

FIG. 6 is a top view thereof; and,

FIG. 7 is a bottom view thereof.

In the drawings, the broken lines depict portions of the
seating device that form no part of the claimed design.

1 Claim, 6 Drawing Sheets



(56)

References Cited

U.S. PATENT DOCUMENTS

D507,893 S 8/2005 Glass et al.
 D515,325 S * 2/2006 Goldman D6/375
 D517,357 S 3/2006 Gasser
 D520,768 S 5/2006 Glass et al.
 7,052,083 B2 5/2006 Peitz et al.
 D536,554 S 2/2007 True
 D541,069 S 4/2007 Peitz et al.
 D551,881 S 10/2007 True
 D562,020 S 2/2008 Massaud
 D573,804 S 7/2008 Bartlmae
 D599,129 S 9/2009 Opsvik
 D603,616 S 11/2009 Kubryk
 D614,416 S 4/2010 Garzon
 7,832,799 B2 11/2010 Davis, Jr. et al.
 D646,514 S 10/2011 Vong
 D646,515 S 10/2011 Vong
 D656,328 S 3/2012 Samuel et al.
 D663,974 S 7/2012 Swy
 D665,183 S 8/2012 Welsh
 D670,514 S * 11/2012 Petrucci D6/360
 8,353,560 B2 1/2013 Grove
 D679,512 S 4/2013 Lade
 D680,763 S 4/2013 Ouchi
 D681,353 S 5/2013 Lade
 D683,558 S 6/2013 Rada et al.
 D686,858 S 7/2013 Fletcher
 D688,481 S * 8/2013 Lee D6/360
 D699,060 S * 2/2014 Geiger D6/716
 D701,054 S 3/2014 Lee
 8,979,207 B2 3/2015 Bachar

D729,563 S 5/2015 Kubryk
 D743,180 S 11/2015 Mehaffey et al.
 9,193,286 B2 11/2015 Okuyama et al.
 D767,928 S * 10/2016 Silvonen D6/366
 9,637,035 B2 5/2017 Abe et al.
 9,648,957 B2 5/2017 Su
 D817,017 S * 5/2018 Levine D6/374
 9,955,785 B2 5/2018 Voigt et al.
 D829,458 S 10/2018 Abadie et al.
 D843,763 S * 3/2019 Abadie D6/716.4
 D847,549 S 5/2019 Abadie et al.
 2002/0053822 A1 5/2002 Ware et al.
 2005/0242651 A1 11/2005 Peitz et al.

OTHER PUBLICATIONS

The Lido Revolutionizes Casino Seating Your Casino Insider, Oct. 10, 2014, retrieved from <https://exclusivelycasinos.wordpress.com/2014/10/10/lidox2series/>, 1 page.
 United States Patent and Trademark Office, "Notice of Allowance," issued in connection with U.S. Appl. No. 29/561,747, dated Aug. 15, 2018, 14 pages.
 United States Patent and Trademark Office, "Notice of Allowance," issued in connection with U.S. Appl. No. 29/660,998, dated Dec. 28, 2018, 11 pages.
 United States Patent and Trademark Office, "Non-Final Office action," issued in connection with U.S. Appl. No. 29/660,998, dated Nov. 1, 2018, 16 pages.
 Fritz Hansen, "Chairs", retrieved from <https://fritzhanzen.com/en-us/products/chairs?showType=product>, on Apr. 8, 2019, 8 pages.

* cited by examiner

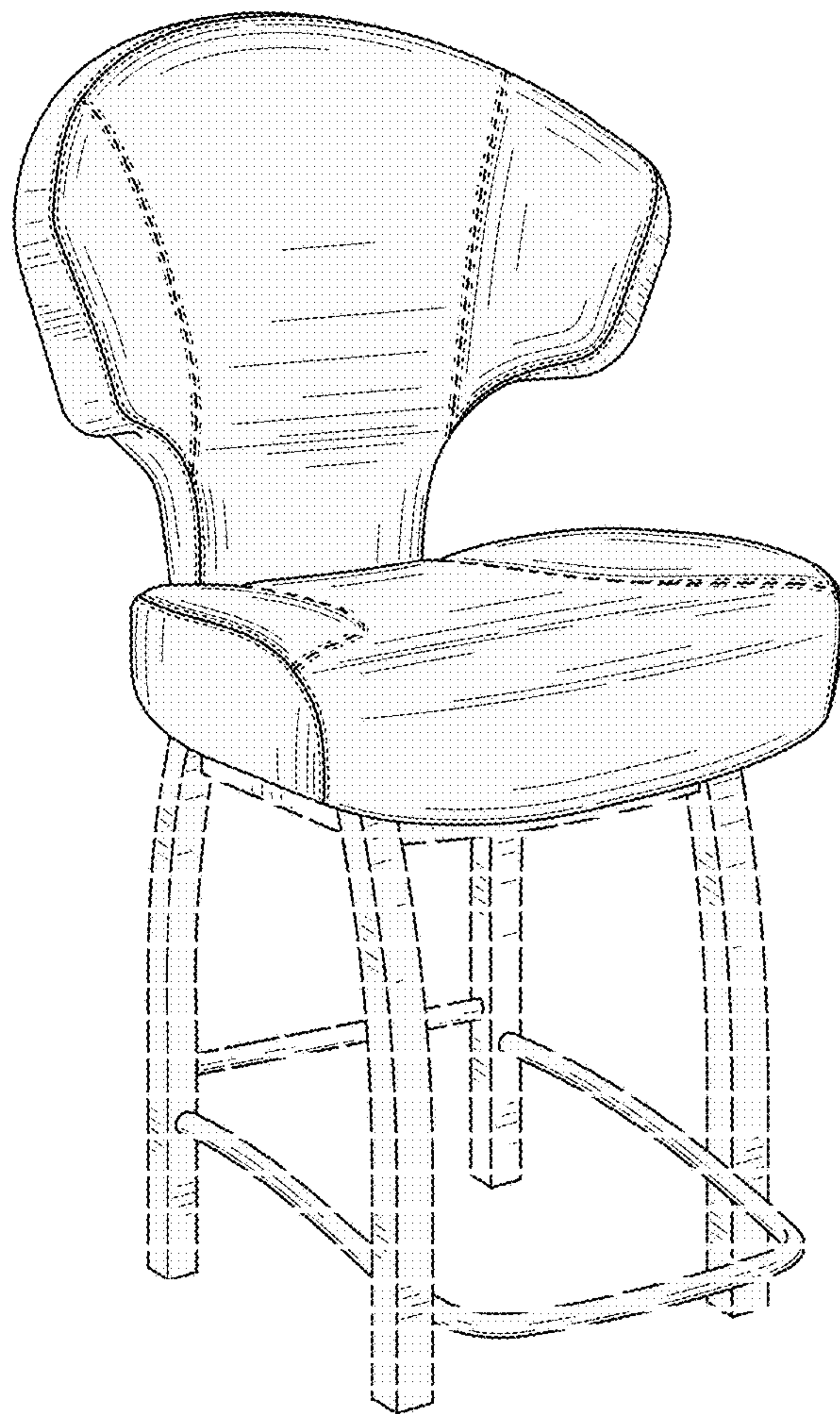


FIG. 1

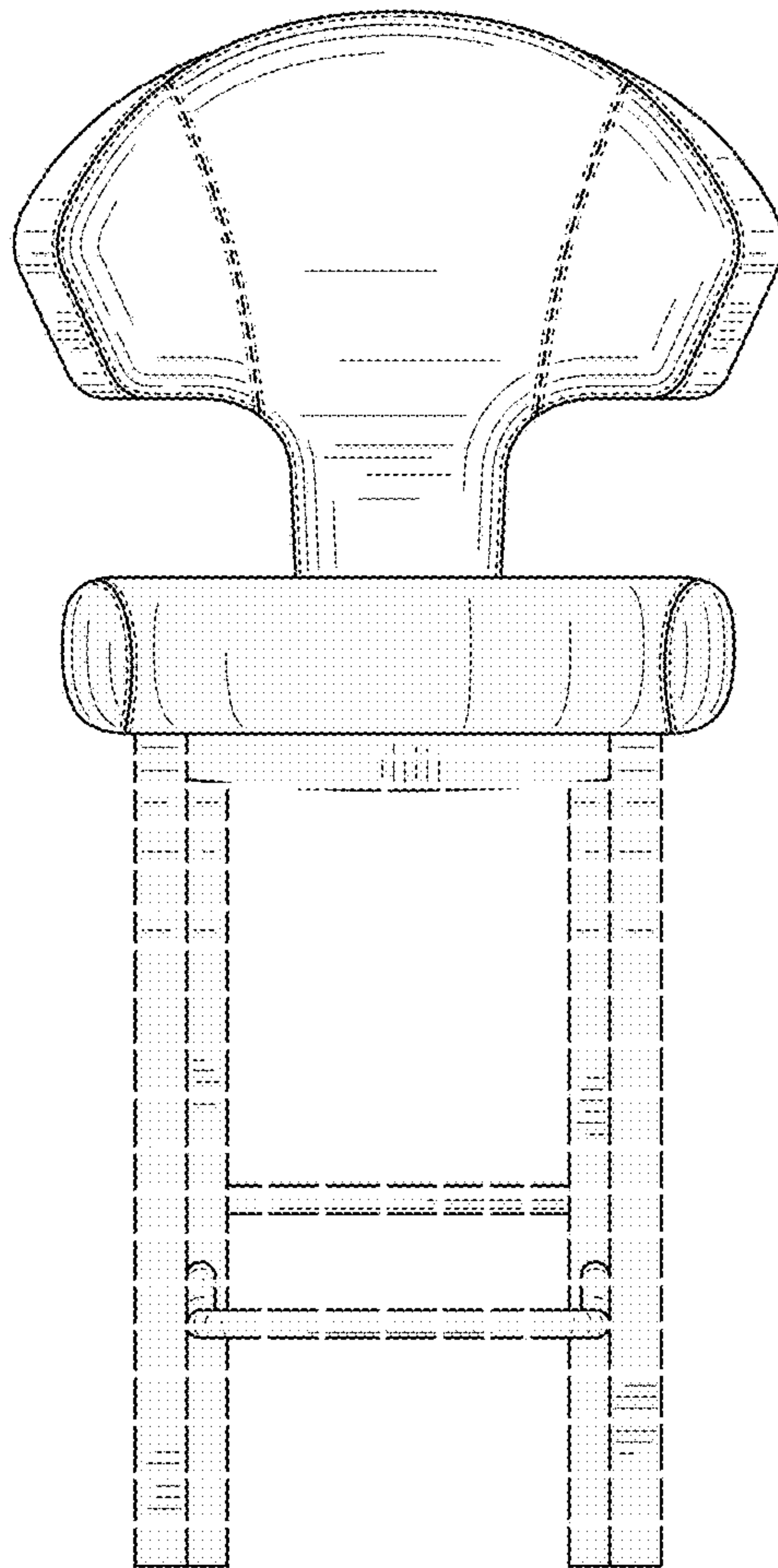


FIG. 2

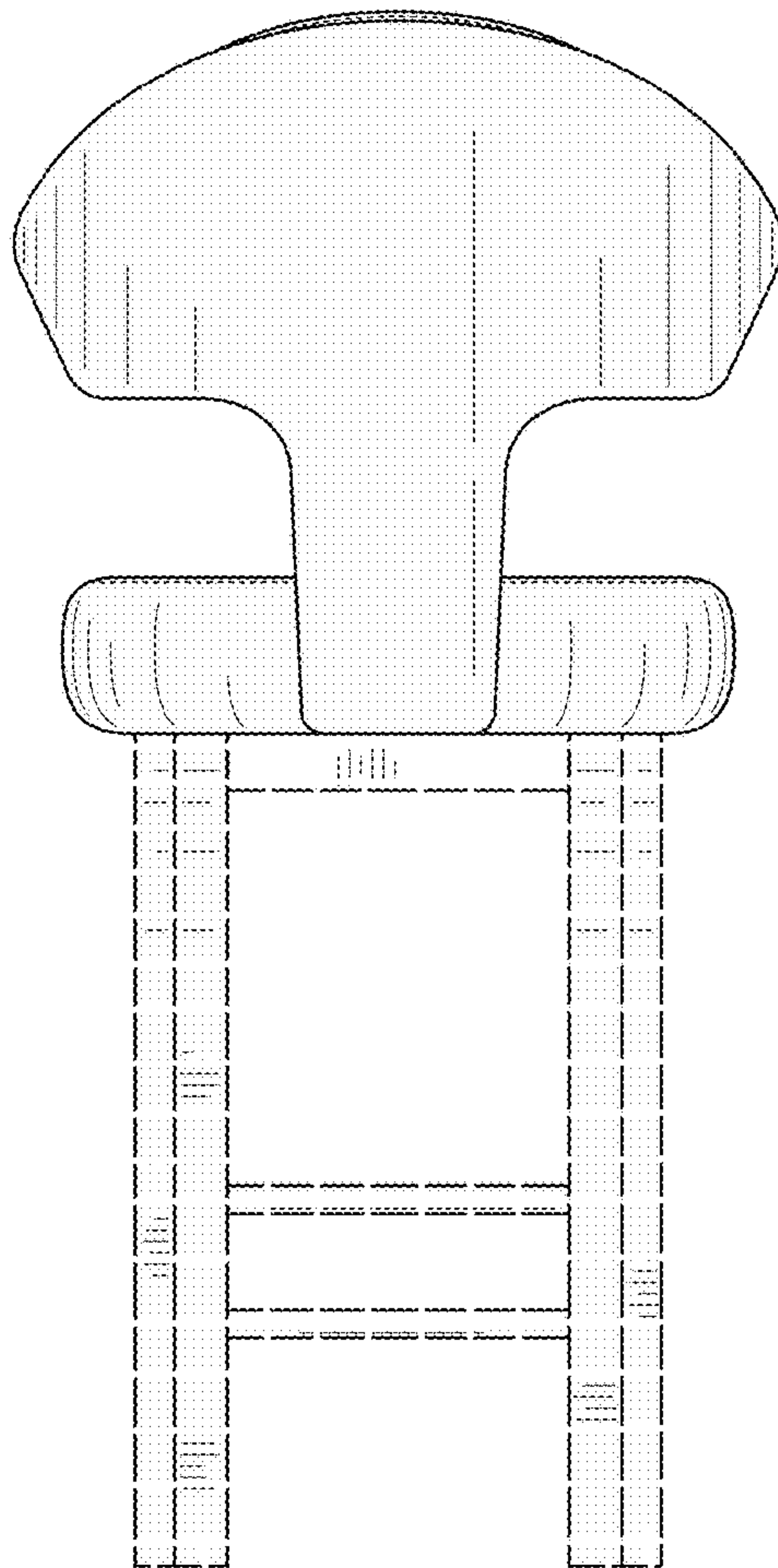


FIG. 3

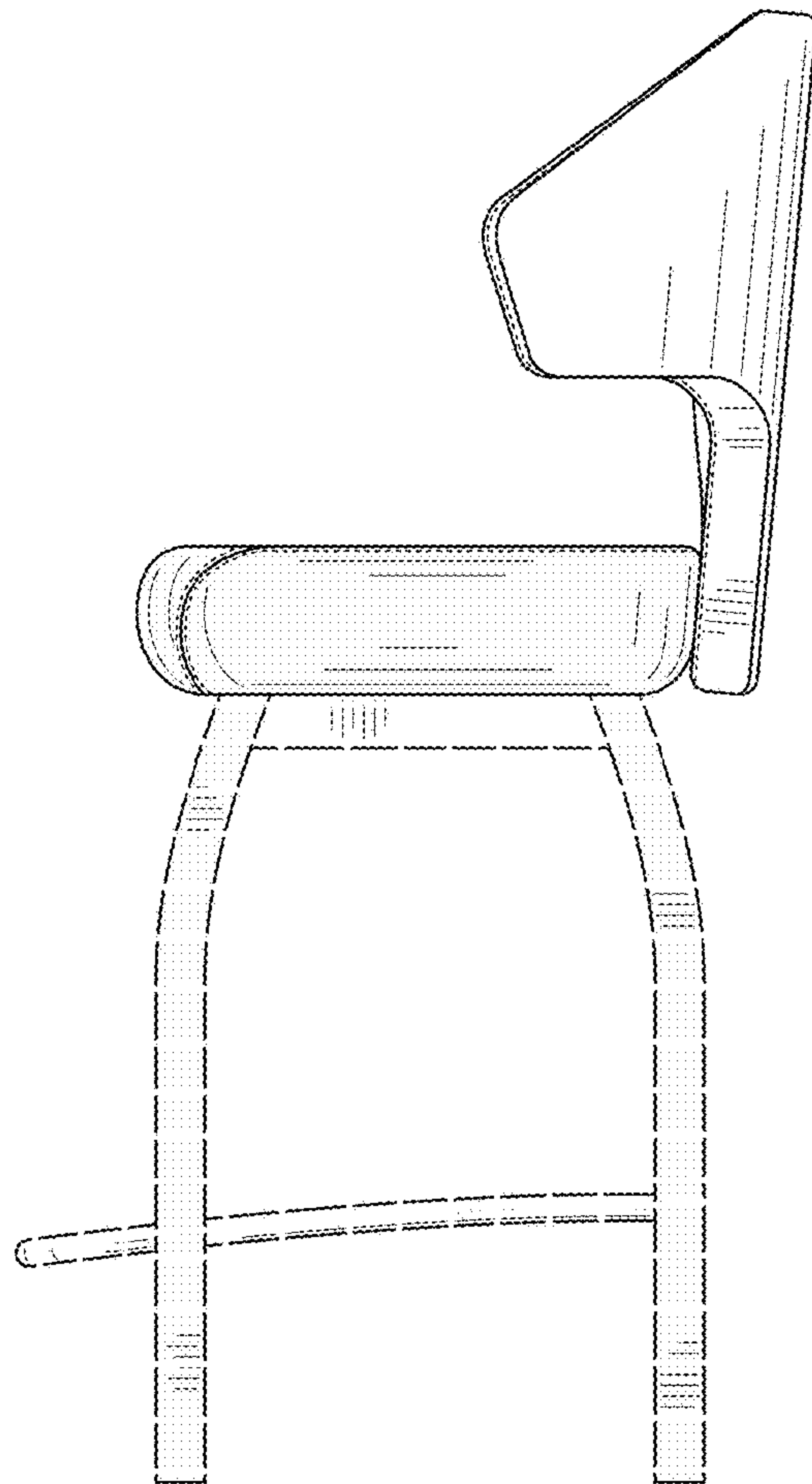


FIG. 4

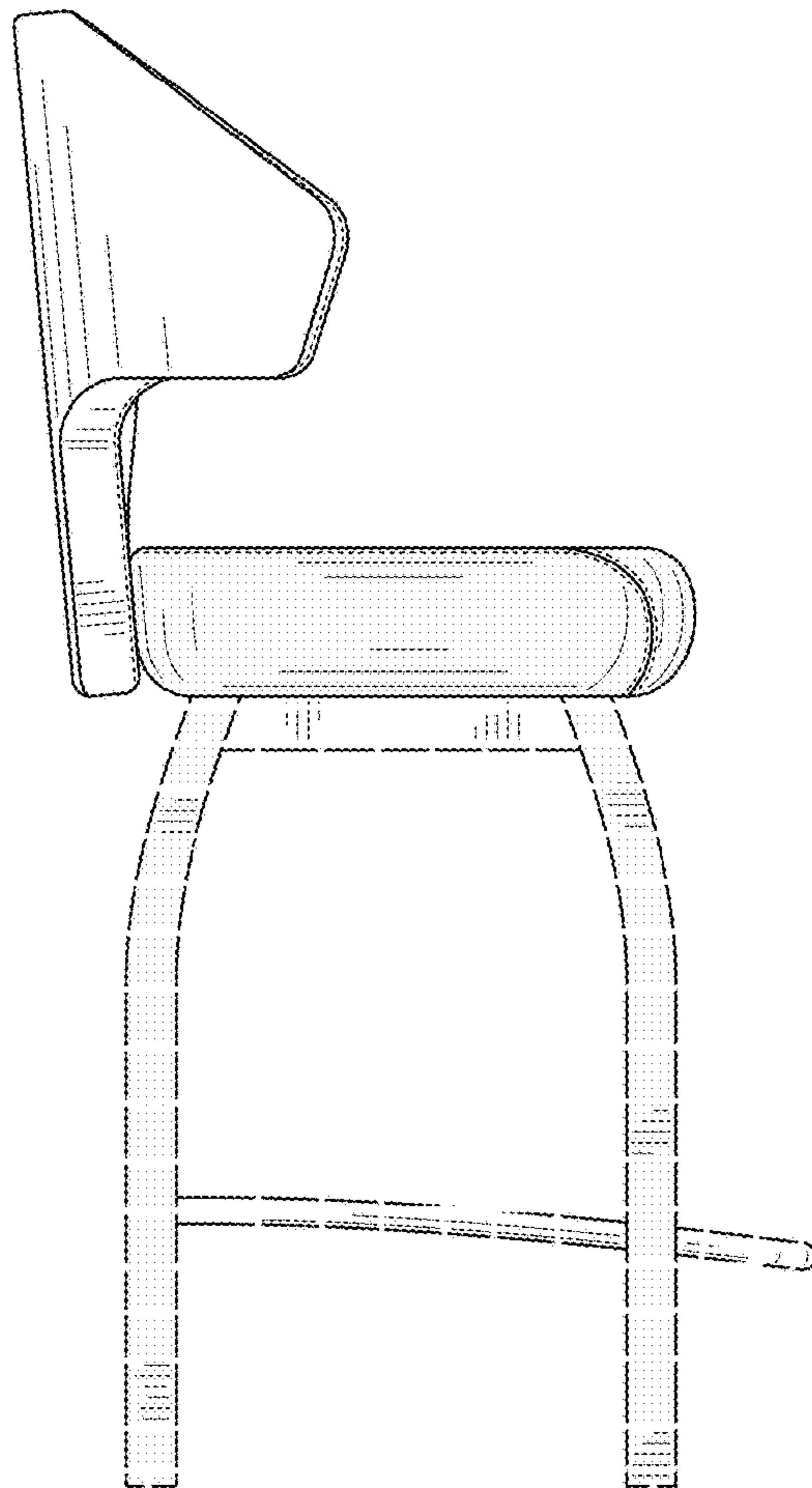


FIG. 5

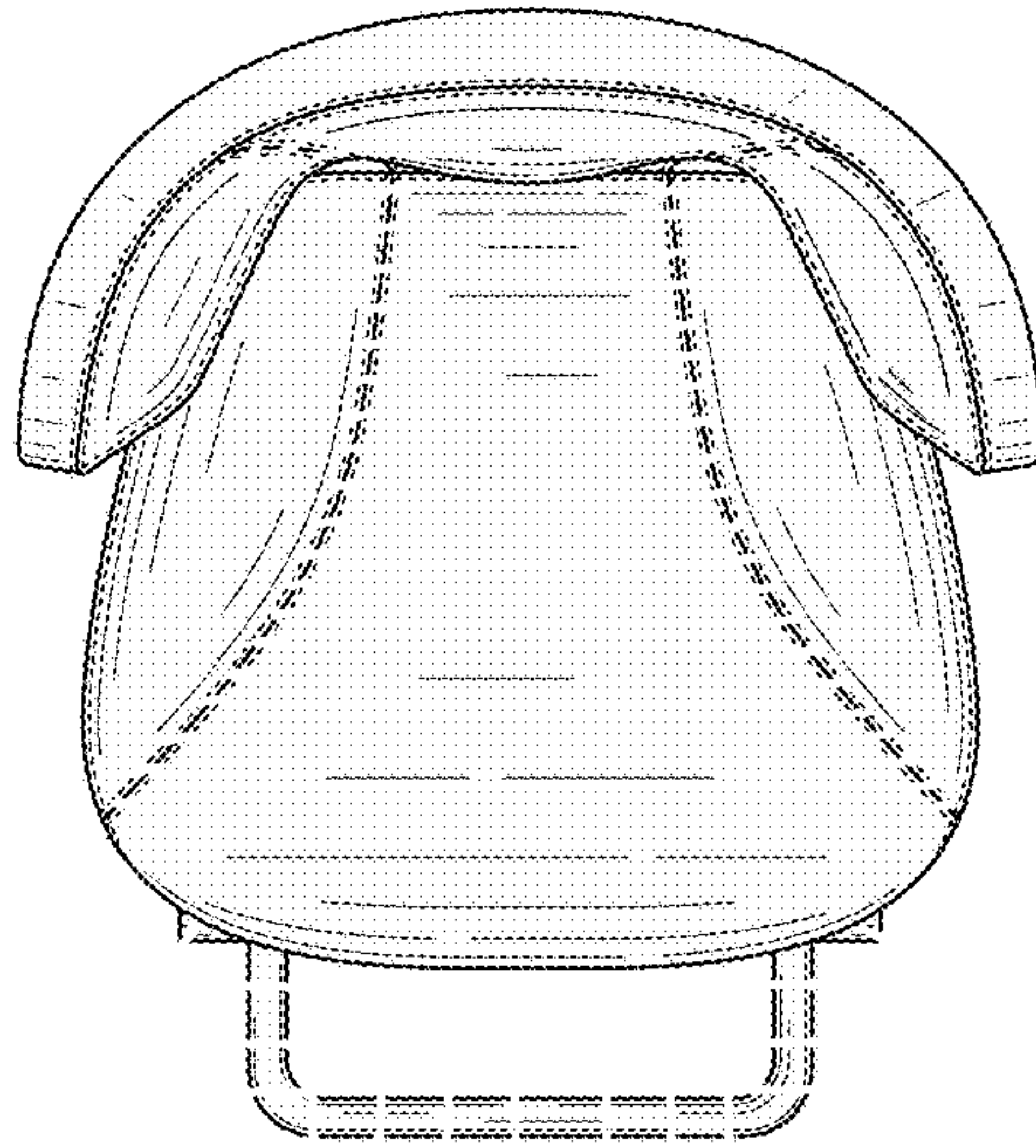


FIG. 6

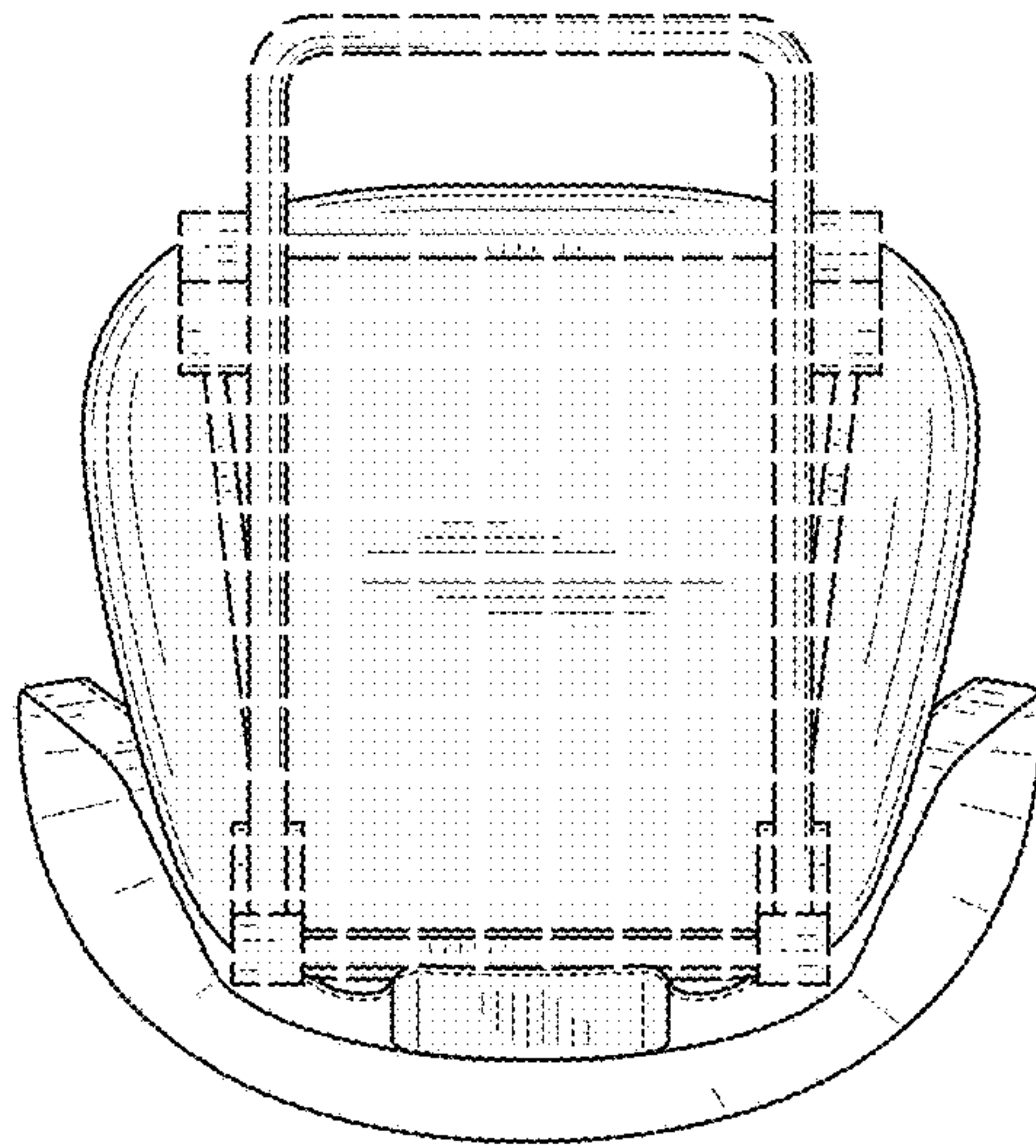


FIG. 7