



US00D861403S

(12) **United States Design Patent**  
**Hurford**

(10) **Patent No.:** **US D861,403 S**

(45) **Date of Patent:** **\*\* Oct. 1, 2019**

(54) **SHELF FOR A DESK**

(71) Applicant: **Okamura Corporation**, Yokohama-shi,  
Kanagawa (JP)

(72) Inventor: **Alexander Hurford**, Yokohama (JP)

(73) Assignee: **Okamura Corporation**, Yokohama-shi,  
Kanagawa (JP)

(\*\*) Term: **15 Years**

(21) Appl. No.: **29/601,009**

(22) Filed: **Apr. 18, 2017**

(30) **Foreign Application Priority Data**

Oct. 27, 2016 (JP) ..... 2016-023385

(51) **LOC (12) Cl.** ..... **06-06**

(52) **U.S. Cl.**  
USPC ..... **D6/705**

(58) **Field of Classification Search**

USPC ..... D6/641, 642, 643, 648, 648.2, 686, 689,  
D6/691.2, 692, 700, 702, 705, 705.5,  
D6/707.15; D20/42, 44

CPC .. A47B 7/00; A47B 13/00; A47B 9/14; A47B  
2021/0335; A47B 21/045; A47B 3/00;  
A47B 5/00; A47B 5/02; A47B 5/06;  
A47B 47/03; A47B 96/02; A47B 96/025;  
A47B 96/028; G09F 15/0006; G09F  
13/00; G09F 9/00

See application file for complete search history.

(56) **References Cited**

**U.S. PATENT DOCUMENTS**

2,354,106 A \* 7/1944 Cooper ..... A47B 17/036  
108/12  
D299,798 S \* 2/1989 Sottsas ..... D6/656.16  
D408,388 S \* 4/1999 Wiggins ..... D14/457  
5,913,272 A \* 6/1999 Gutsell ..... A47B 3/00  
108/132

D424,828 S \* 5/2000 Ko ..... D6/653.1  
6,564,723 B2 \* 5/2003 Shapton ..... A47B 5/06  
108/50.02  
D510,220 S \* 10/2005 Sandy ..... D6/705  
D512,587 S \* 12/2005 Frenkler ..... D6/691.5  
D526,811 S \* 8/2006 Nicoletti ..... D6/643

(Continued)

**OTHER PUBLICATIONS**

“MySiteWorkstation”; Found online Nov. 5, 2018 at precisionworkspace.co.nz. Page dated 2008. Retrieved from [http://www.precisionworkspace.co.nz/customer\\_portal/specdocs/mySITEComponentGuide5.pdf](http://www.precisionworkspace.co.nz/customer_portal/specdocs/mySITEComponentGuide5.pdf) (Year: 2008).\*

(Continued)

*Primary Examiner* — Kendra Leslie Hamilton

(74) *Attorney, Agent, or Firm* — Banner & Witcoff, Ltd.

(57) **CLAIM**

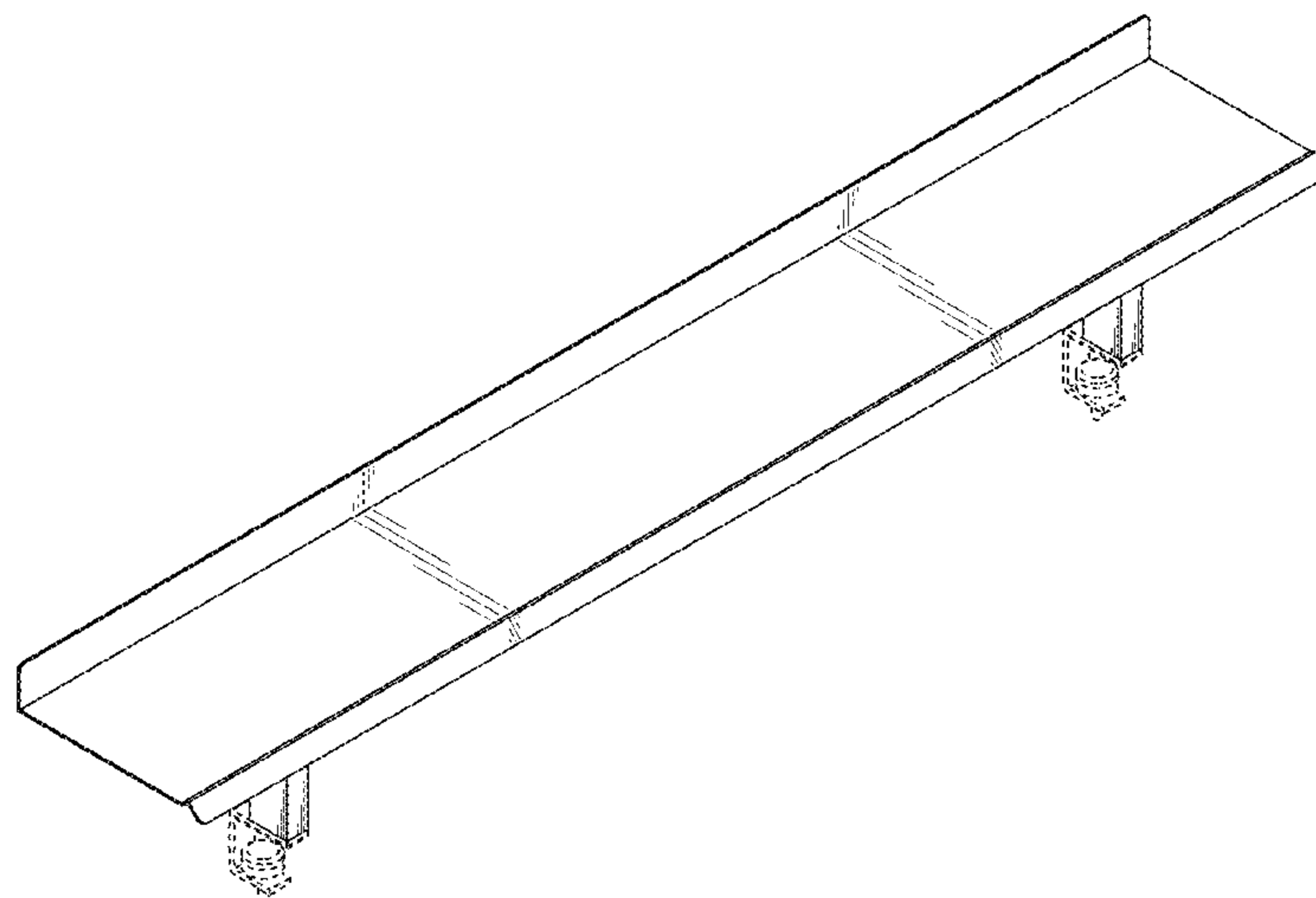
The ornamental design for a shelf for a desk, as shown and described.

**DESCRIPTION**

FIG. 1 is a front perspective view of a shelf for a desk showing my new design;  
FIG. 2 is a rear perspective view thereof;  
FIG. 3 is a front view thereof;  
FIG. 4 is a rear view thereof;  
FIG. 5 is a right side view thereof, the left side view thereof being a mirror image;  
FIG. 6 is a top view thereof;  
FIG. 7 is a bottom view thereof; and,  
FIG. 8 is a top front perspective view thereof, shown in condition of use.

The broken lines in FIGS. 1 through 5 and 7 depict portions of the shelf for a desk that form no part of the claimed design. The broken lines in FIG. 8 depict environmental structure and form no part of the claimed design.

**1 Claim, 8 Drawing Sheets**



(56)

**References Cited**

## U.S. PATENT DOCUMENTS

D541,563 S \* 5/2007 LaBonia, Jr. .... D6/705  
D586,165 S \* 2/2009 Lenterman ..... D6/705  
D644,864 S \* 9/2011 LaBonia, Jr. .... D6/705  
D694,046 S \* 11/2013 Walter ..... D6/705  
D774,633 S \* 12/2016 Garcia ..... D23/354  
D776,961 S \* 1/2017 Yamamoto ..... D6/656.16  
D788,494 S \* 6/2017 Yamamoto ..... D6/642  
9,693,624 B2 \* 7/2017 Mitchell ..... A47B 5/00  
D801,094 S \* 10/2017 Verna ..... D6/705  
D817,676 S \* 5/2018 Herring ..... D6/654  
D819,371 S \* 6/2018 Cao ..... D6/656.16  
D819,377 S \* 6/2018 Brown ..... D6/675.1  
D821,113 S \* 6/2018 Kim ..... D6/574  
D828,704 S \* 9/2018 Sakakibara ..... D6/642  
2002/0170870 A1 \* 11/2002 Callis ..... A47B 96/02  
211/119.003  
2011/0247530 A1 \* 10/2011 Coffman ..... A47B 3/0911  
108/116  
2017/0224102 A1 \* 8/2017 Randolph ..... A47B 21/02

## OTHER PUBLICATIONS

“Jarvis Desk Shelf”. Found online Nov. 5, 2018 at fully.com. Page dated 2018. Retrieved from <https://www.fully.com/accessories/jarvis-desk-shelf.html> (Year: 2018).\*

“Soto Shelves”. Found online Nov. 9, 2018 at steelcase.com. Page dated Jun. 2015. Retrieved from <https://www.steelcase.com/content/uploads/2015/01/SOTO-Shelves-April-2018.pdf> (Year: 2015).\*

\* cited by examiner

FIG. 1

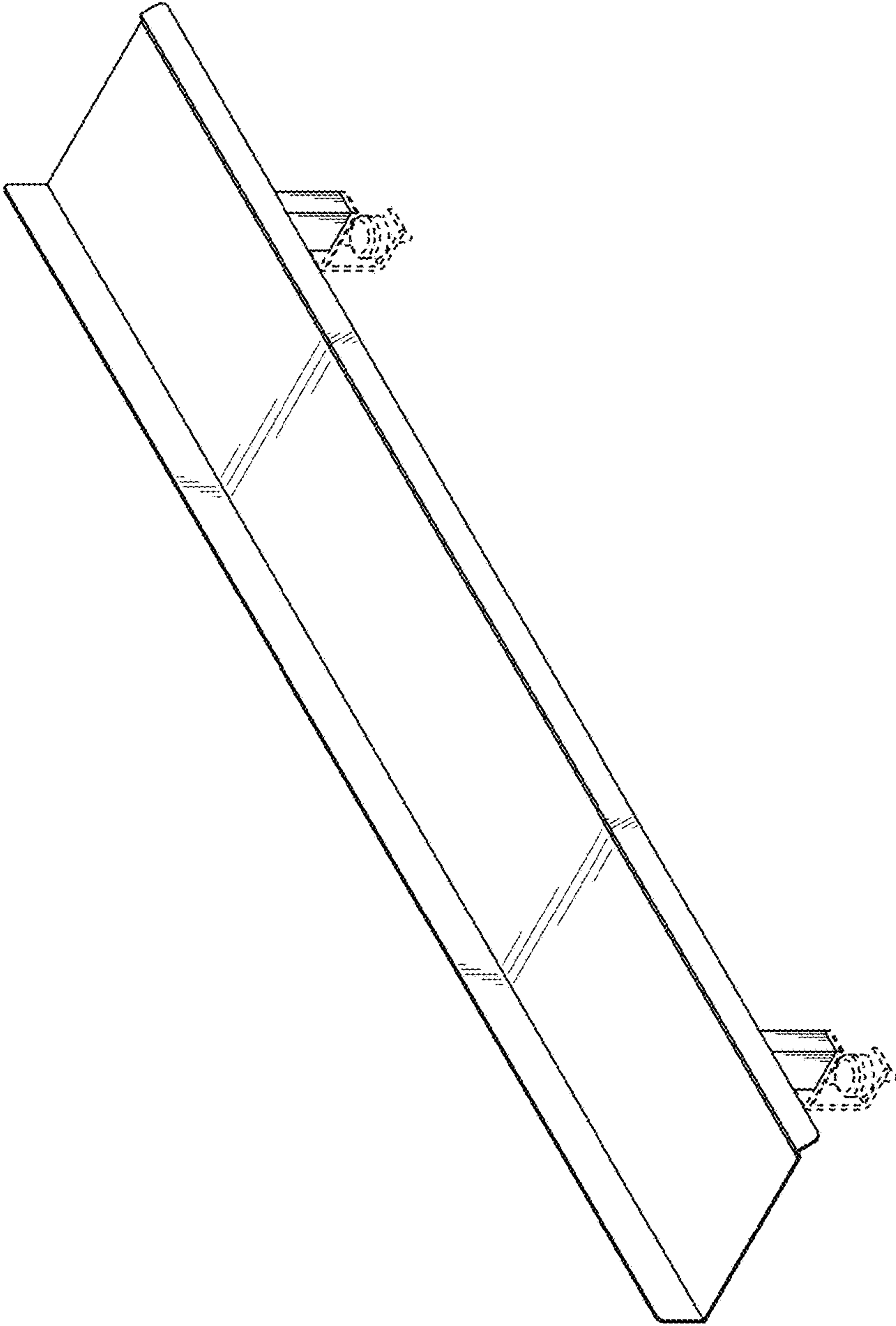


FIG. 2

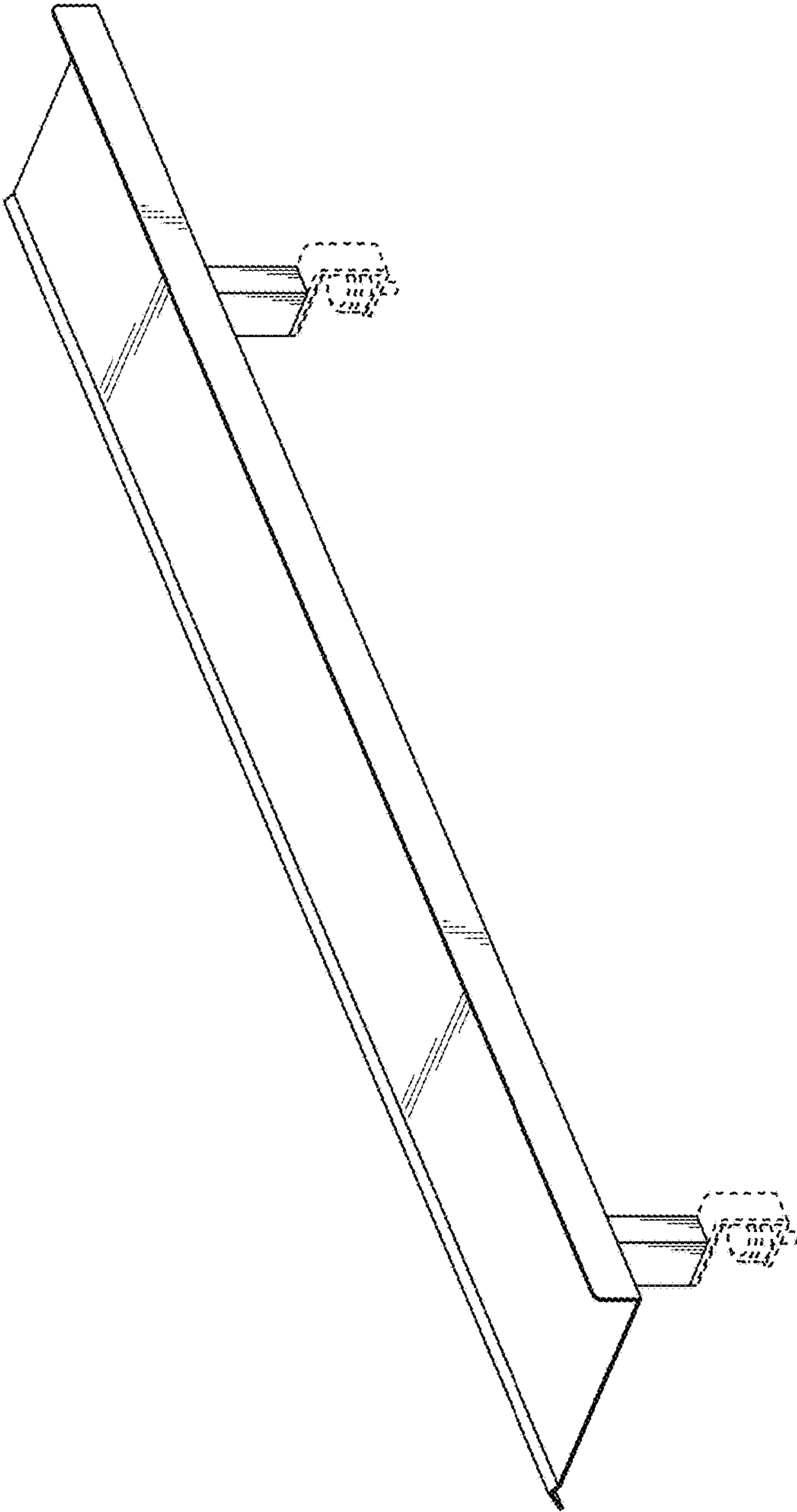


FIG. 3

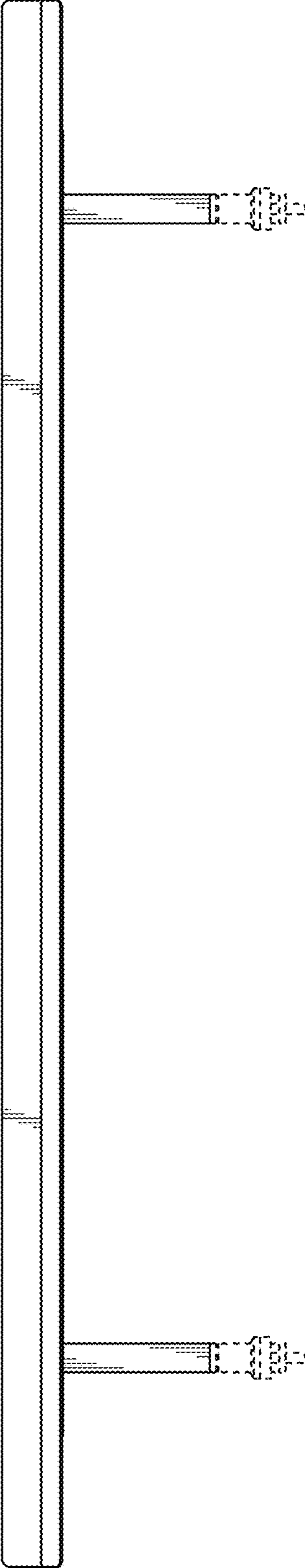
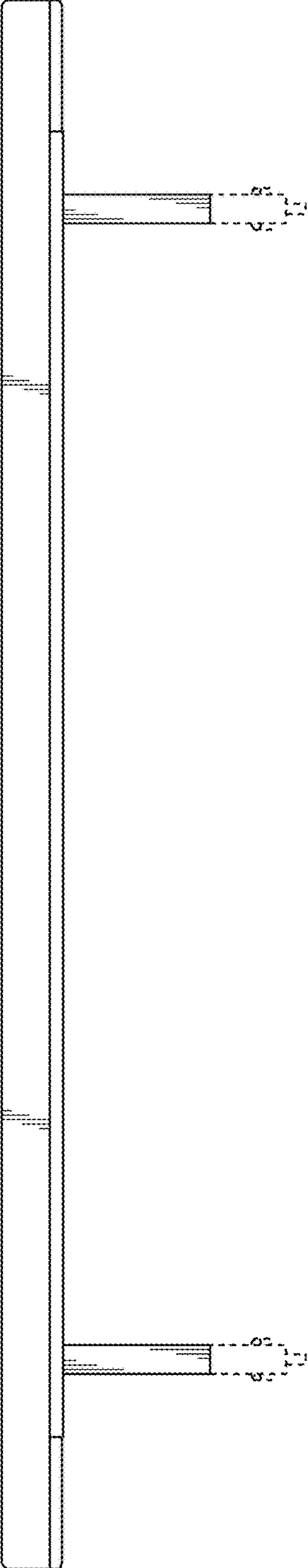


FIG. 4



**FIG. 5**

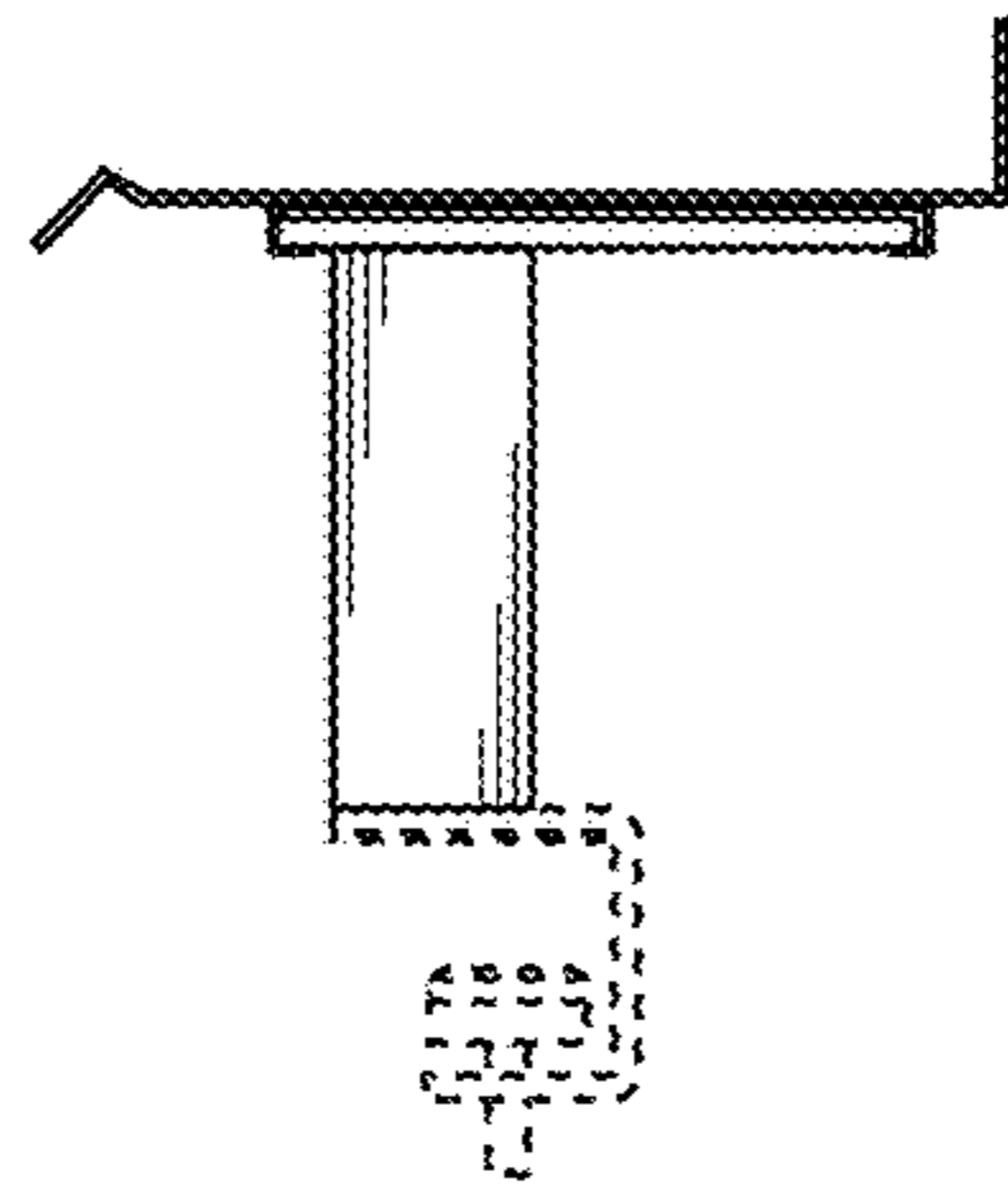
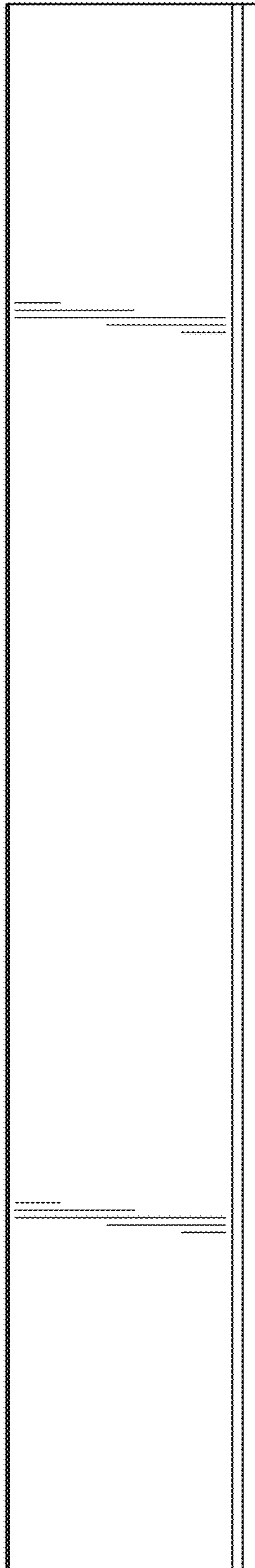


FIG. 6





**FIG. 7**

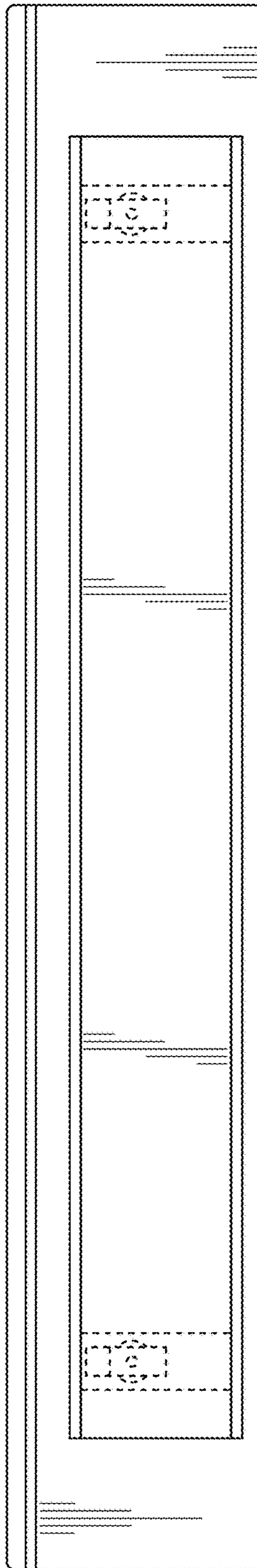


FIG. 8

