



US00D861402S

(12) **United States Design Patent** (10) **Patent No.:** **US D861,402 S**
Ramos et al. (45) **Date of Patent:** **** Oct. 1, 2019**

(54) **TABLE**
(71) Applicant: **Steelcase Inc.**, Grand Rapids, MI (US)
(72) Inventors: **Ryan Jerome Ramos**, Grand Rapids, MI (US); **Steven James Beukema**, Grand Rapids, MI (US); **Joseph Zeledon**, Grand Rapids, MI (US)
(73) Assignee: **Steelcase Inc.**, Grand Rapids, MI (US)
(**) Term: **15 Years**

D282,800 S 3/1986 Sorensen
D291,035 S 7/1987 Strousse et al.
D299,191 S 1/1989 Frinier
D321,600 S 11/1991 Brennan
D322,190 S * 12/1991 Adamson D6/692.5
D333,733 S 3/1993 Sammons
D336,169 S 6/1993 Diaz Azcuy
D336,795 S 6/1993 Rowe et al.
D337,010 S * 7/1993 Bennett D6/692
D339,927 S 10/1993 Fahnstrom et al.
D341,260 S 11/1993 Fahnstrom et al.
D345,470 S 3/1994 Narita

(Continued)

(21) Appl. No.: **29/631,671**
(22) Filed: **Jan. 2, 2018**
(51) **LOC (12) Cl.** **06-03**
(52) **U.S. Cl.**
USPC **D6/692**
(58) **Field of Classification Search**
USPC D6/668, 672, 677, 685, 687, 689, 692,
D6/692.1-692.6, 698, 707.2, 708, 708.15,
D6/708.17, 708.2, 708.23
CPC A47B 7/00; A47B 11/00; A47B 13/12;
A47B 3/08; A47B 3/0803; A47B 49/004;
A47B 13/023; A47B 2013/024; A47B
2013/025; A47B 2013/026; A47B
2013/027; A47B 13/086
See application file for complete search history.

OTHER PUBLICATIONS

Steelcase, posted at Portfolios.rid.edu, posted on Nov. 23, 2018, site visited May 7, 2019. online, available from internet: <http://portfolios.rit.edu/gallery/72502847/Steelcase-Embold-Collection> (Year: 2018).*

(Continued)

Primary Examiner — Mary Ann Calabrese
Assistant Examiner — Catherine Ho

(57) **CLAIM**

We claim the ornamental design for a table, as shown and described.

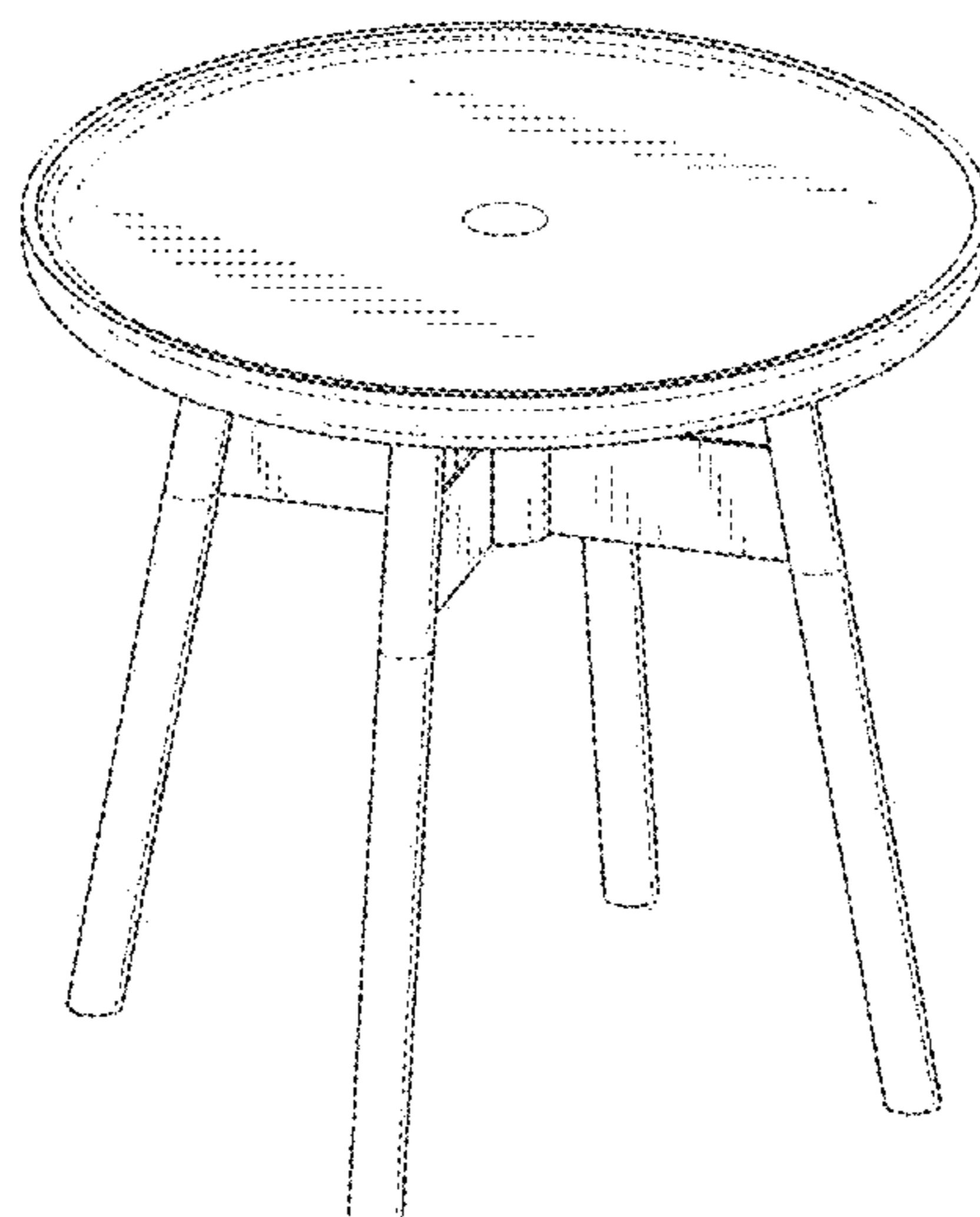
DESCRIPTION

FIG. 1 is a front perspective view of a table, showing our new design;
FIG. 2 is a bottom perspective view thereof;
FIG. 3 is a front view thereof;
FIG. 4 is a top view thereof;
FIG. 5 is a bottom view thereof; and,
FIG. 6 is a cross-sectional view of a table taken along lines VI-VI of FIG. 5.

The dashed lines are for purposes of illustrating environmental structure and form no part of the claimed design.

1 Claim, 6 Drawing Sheets

(56) **References Cited**
U.S. PATENT DOCUMENTS
D72,313 S * 3/1927 Flowers D6/403
D97,163 S * 10/1935 Kipp D6/692
D98,434 S * 2/1936 Hoffmann D6/692.6
D189,476 S 12/1960 Anderson et al.
3,004,571 A * 10/1961 Gerbrandt A47B 11/00
108/139
D225,501 S * 12/1972 Apple, Jr. D6/692
D237,929 S * 12/1975 Laylon D6/692
D265,151 S 6/1982 Roner



(56)

References Cited

U.S. PATENT DOCUMENTS

D346,279 S 4/1994 Stumpf et al.
 D358,078 S * 5/1995 Klein D6/692.5
 D367,565 S 3/1996 Yeh
 D384,530 S * 10/1997 Mezger D6/692.5
 D390,712 S 2/1998 Koepke et al.
 D400,018 S 10/1998 James et al.
 D405,283 S 2/1999 James
 D405,618 S 2/1999 Reutepohler et al.
 D405,620 S 2/1999 Koepke et al.
 D407,576 S 4/1999 Ritch et al.
 D426,088 S * 6/2000 Hodge D6/692
 D446,033 S 8/2001 Koepke et al.
 D446,396 S 8/2001 Phillips et al.
 D484,710 S 1/2004 Getzel
 D485,097 S 1/2004 Raftery
 D486,658 S 2/2004 Weaver
 D498,601 S 11/2004 Olson et al.
 D498,940 S 11/2004 Getzel
 6,820,936 B2 11/2004 Wilkerson et al.
 D499,895 S 12/2004 Olson et al.
 D509,671 S 9/2005 Olson et al.
 D517,820 S 3/2006 Citterio
 D520,764 S 5/2006 Kinoshita et al.
 D535,112 S 1/2007 Bernett et al.
 D535,830 S 1/2007 Bernett et al.
 D542,548 S 5/2007 Yang
 D546,089 S 7/2007 Ebenestelli
 D547,573 S 7/2007 Egger
 D554,383 S 11/2007 Scheper et al.
 7,293,833 B2 11/2007 Takeuchi et al.
 D563,688 S 3/2008 Boulva

D566,410 S 4/2008 Neil
 D575,541 S 8/2008 Hayes
 D579,682 S 11/2008 Neil
 D601,822 S 10/2009 Neil
 D602,268 S 10/2009 Viererbl
 D602,276 S 10/2009 Neil
 D617,110 S 6/2010 Dorner
 7,878,591 B2 2/2011 Walker et al.
 D637,829 S 5/2011 Citterio
 D640,478 S 6/2011 Neil
 D646,915 S 10/2011 Schweikarth et al.
 D648,147 S 11/2011 Izawa
 D653,868 S 2/2012 Samuel et al.
 D665,592 S 8/2012 Citterio
 D666,016 S 8/2012 Citterio
 D666,842 S 9/2012 Cramer et al.
 D671,759 S 12/2012 Hurford
 D688,483 S 8/2013 Aratani
 D690,952 S 10/2013 Becker
 D704,944 S 5/2014 Koepke et al.
 8,820,835 B2 9/2014 Minino et al.
 D733,446 S 7/2015 Izawa et al.
 D740,044 S 10/2015 Brown et al.
 D782,859 S 4/2017 Welsh et al.
 D792,119 S * 7/2017 Beckman D6/352
 D793,133 S * 8/2017 Nigro D6/692

OTHER PUBLICATIONS

Husk, posted at Architonic.com, posted in 2013, site visited May 7, 2019. online, available from internet: <https://www.architonic.com/en/product/b-b-italia-husk-small-tables/1528584> (Year: 2013).*

* cited by examiner

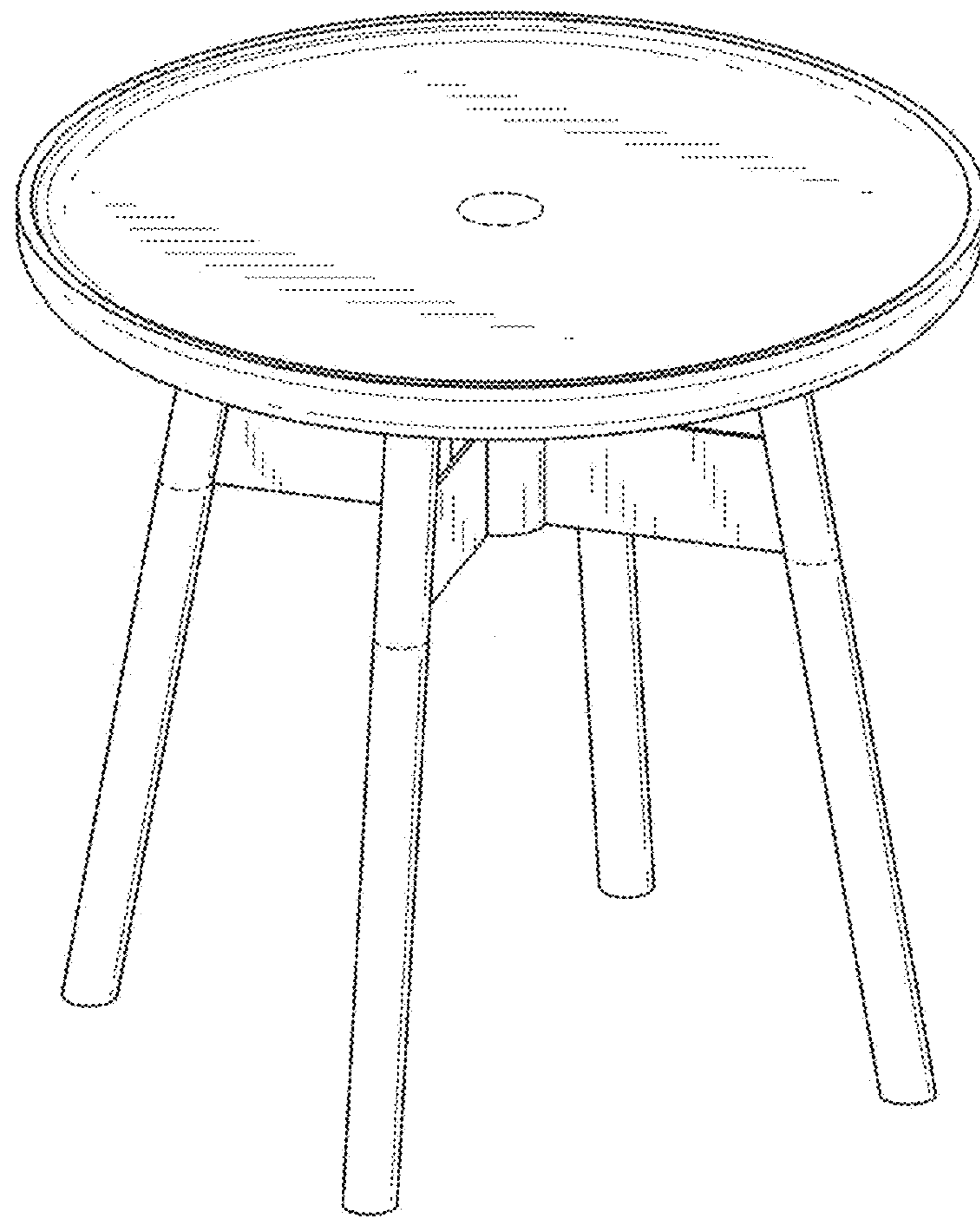


FIG. 1

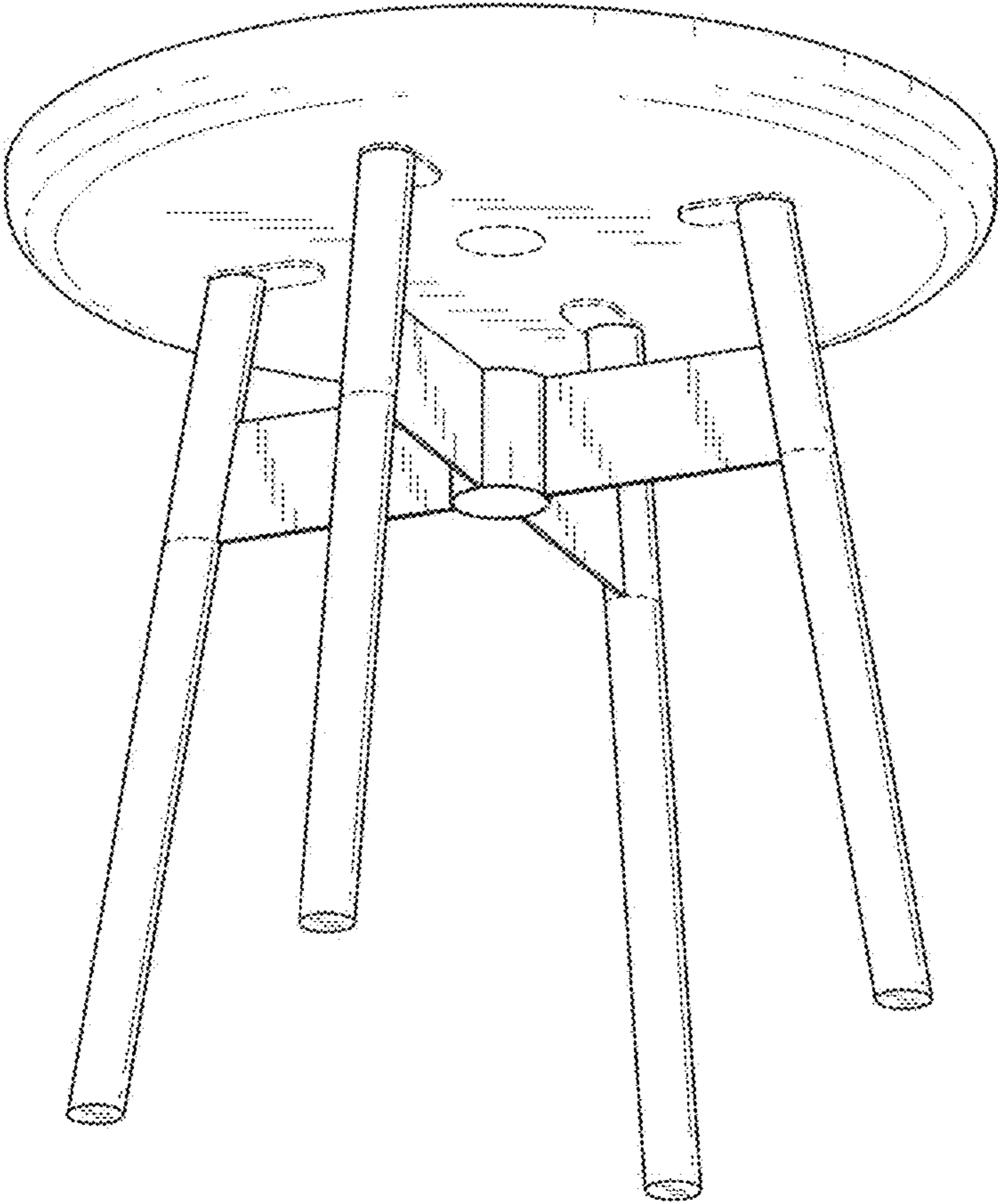


FIG. 2

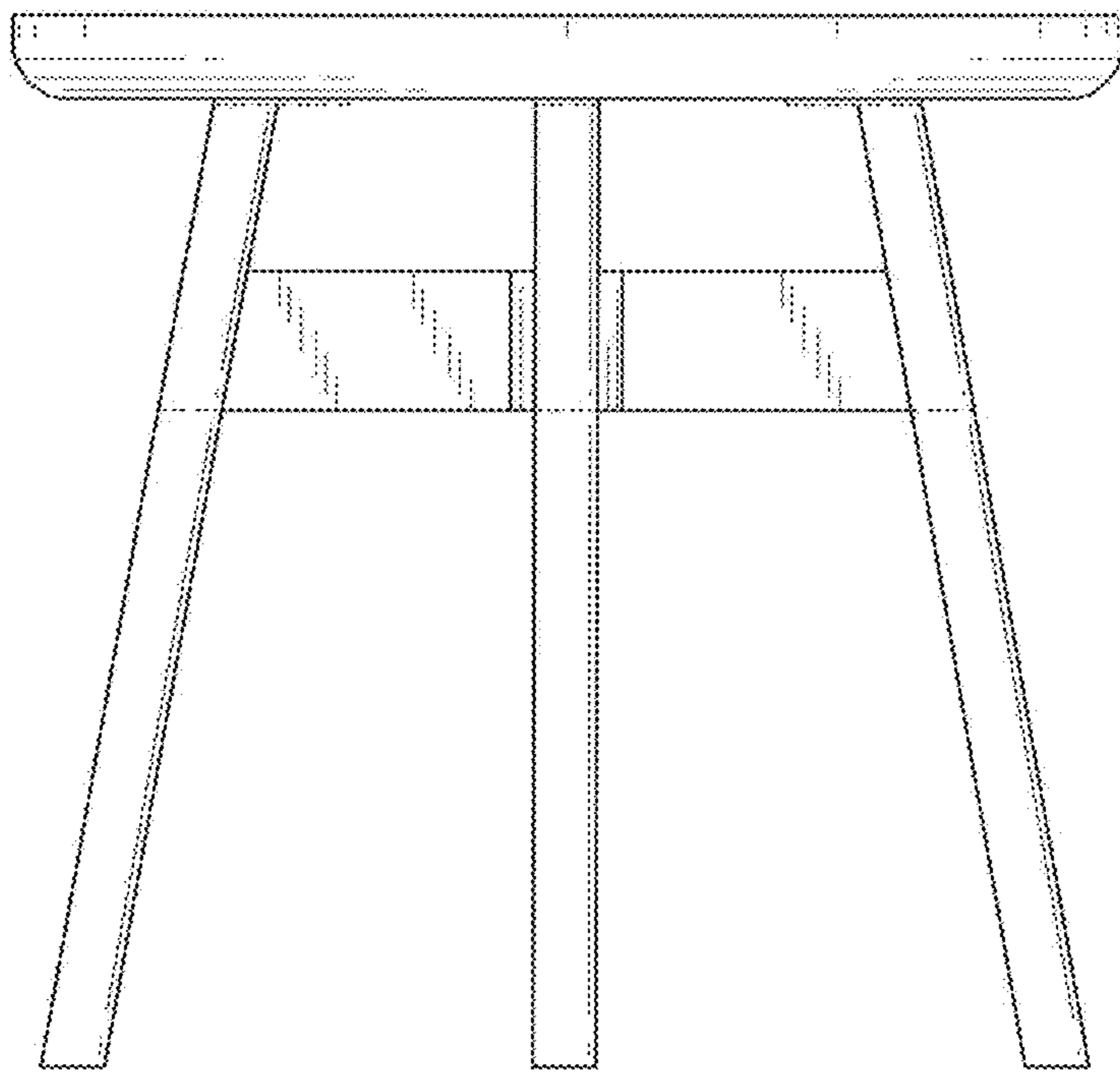


FIG. 3

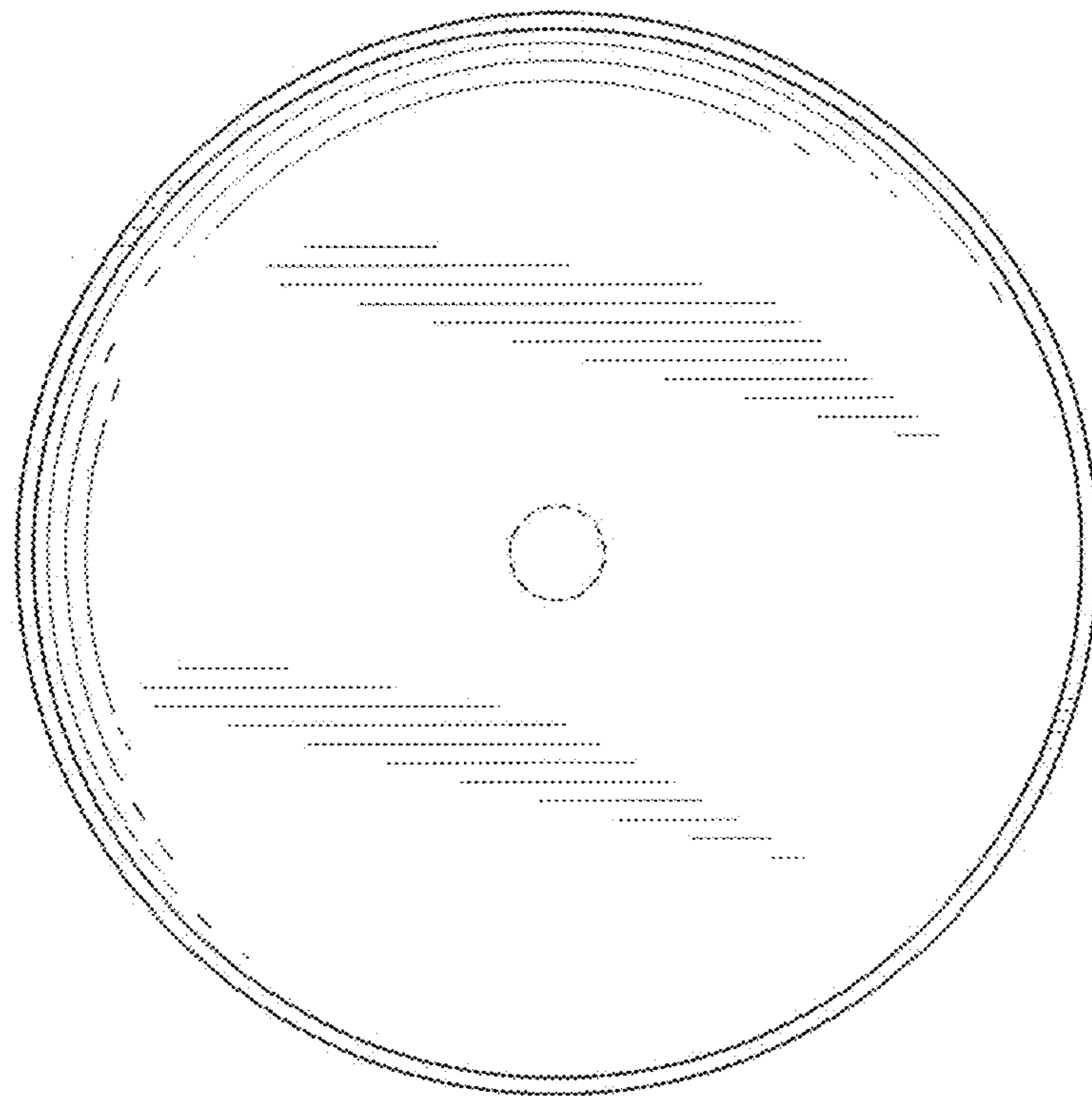


FIG. 4

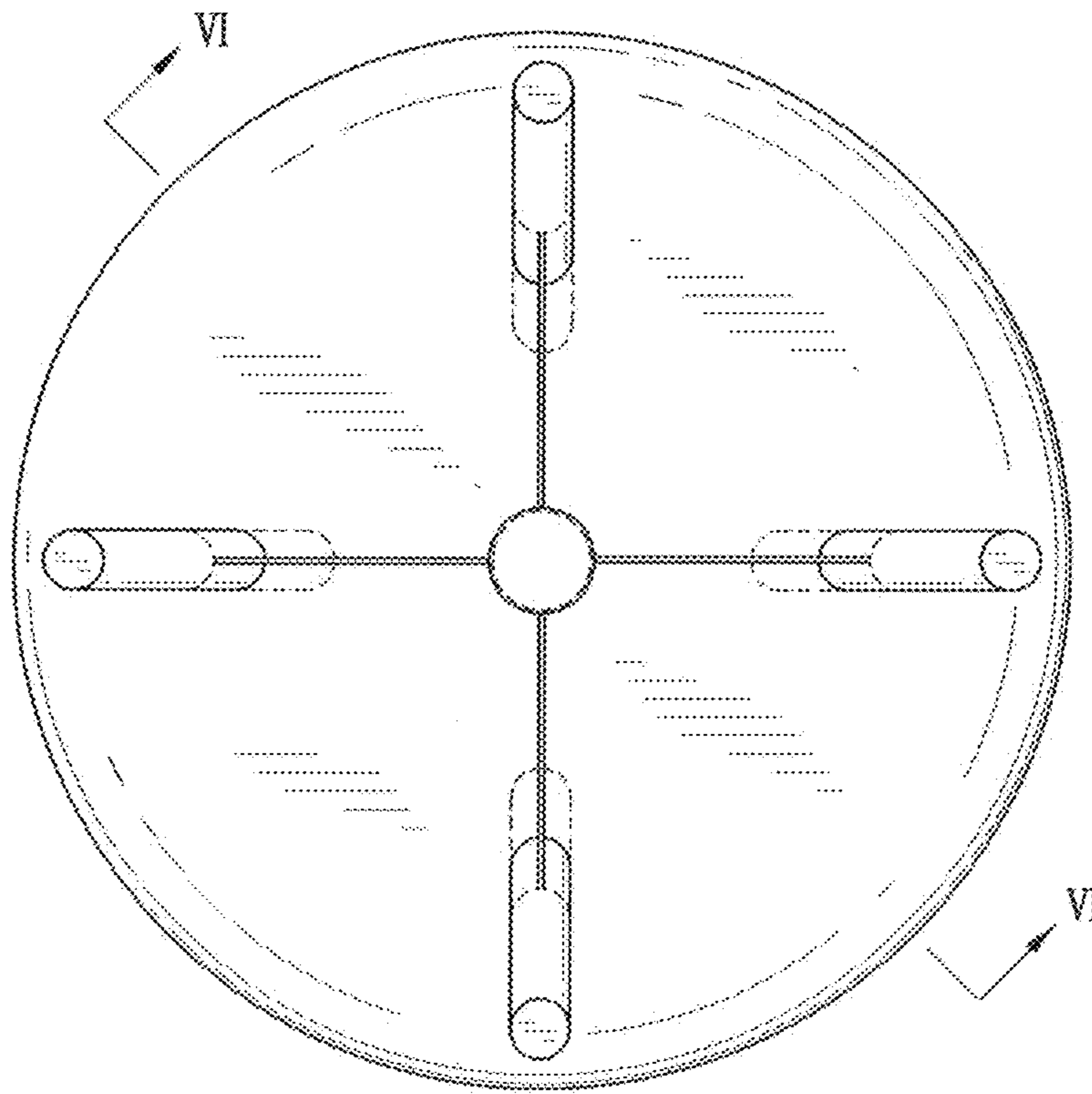


FIG. 5

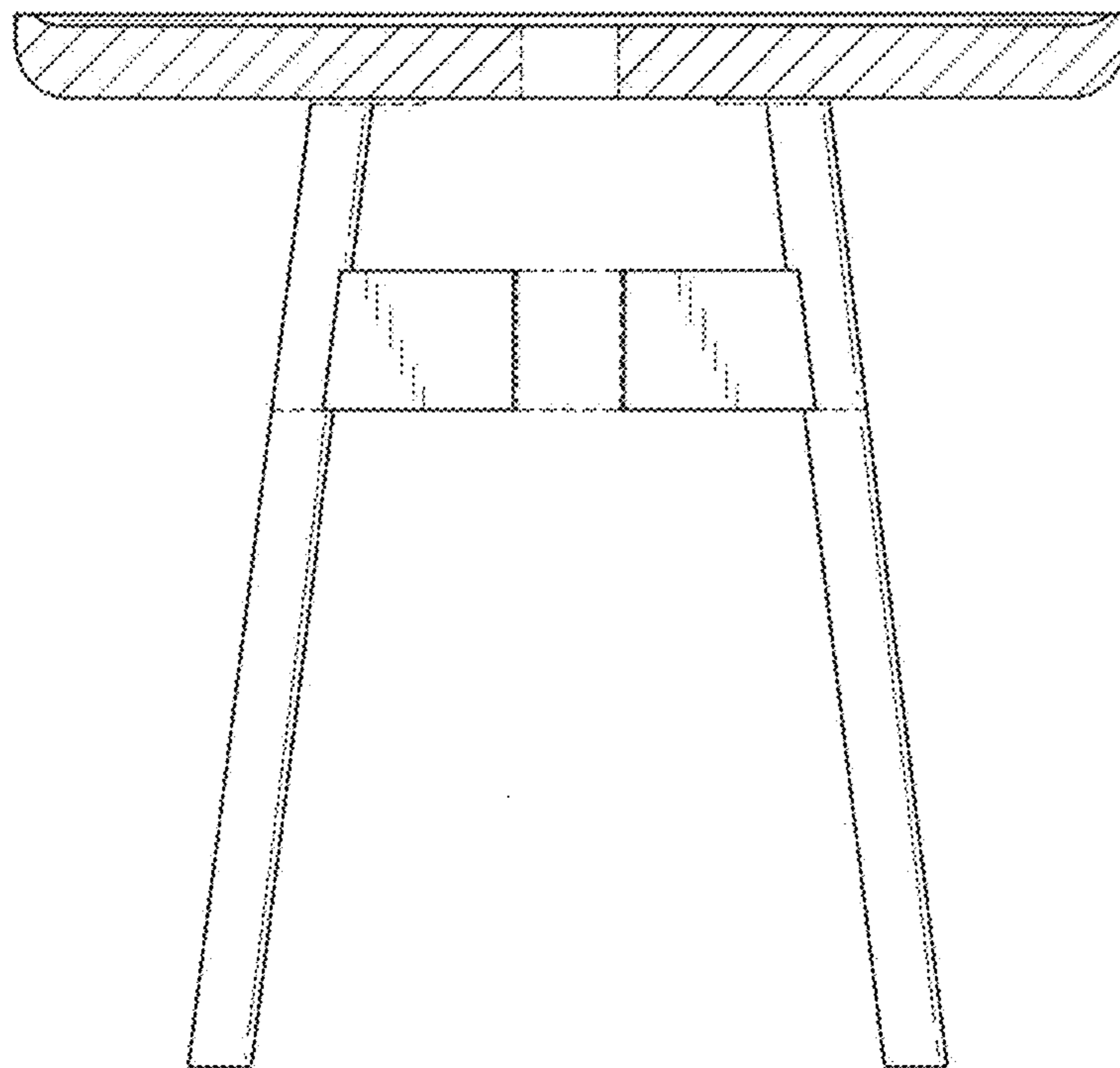


FIG. 6