

US00D861401S

(12) **United States Design Patent** (10) **Patent No.:** **US D861,401 S**  
**Bowser** (45) **Date of Patent:** **\*\* Oct. 1, 2019**

(54) **MODULAR TABLE**

(71) Applicant: **William Bowser**, Park City, UT (US)

(72) Inventor: **William Bowser**, Park City, UT (US)

(\*\*) Term: **15 Years**

(21) Appl. No.: **29/630,500**

(22) Filed: **Dec. 21, 2017**

(51) **LOC (12) Cl.** ..... **06-03**

(52) **U.S. Cl.**  
USPC ..... **D6/691**

(58) **Field of Classification Search**

USPC ..... D6/641, 657, 685, 686, 689, 690, 691,  
D6/691.1, 691.2, 691.3, 691.4, 691.5,  
D6/691.6, 691.7, 691.8, 691.9, 699,  
D6/699.1, 699.2, 699.3, 699.4, 699.5,  
D6/702, 707, 707.15, 708, 709, 709.17,  
D6/709.2, 709.21, 709.22, 711  
CPC .. A47B 37/00; A47B 3/00; A47B 1/00; A47B  
3/06; A47B 3/08; A47B 7/00; A47B  
21/00; A47B 23/00; A47B 25/00; A47B  
13/08; A47B 3/083; A47B 3/14; A47B  
41/00; A47B 17/00; A47B 3/0809; A47B  
3/0812; A47B 2013/026; A47B 2200/03;  
A47B 2200/00; A47B 2003/0821; A47C  
3/045

See application file for complete search history.

(56) **References Cited**

**U.S. PATENT DOCUMENTS**

1,669,199 A 7/1922 Hicks  
D128,279 S \* 7/1941 Caldwell ..... D6/406.1  
D180,283 S \* 5/1957 Hoven ..... D6/691.5  
D183,555 S \* 9/1958 Close ..... D6/709  
4,117,644 A 10/1978 Weinar  
D264,423 S 5/1982 Naylor  
4,448,007 A 5/1984 Adams  
4,831,808 A 5/1989 Wynar  
D334,678 S \* 4/1993 Hinden ..... D6/656.13

D341,538 S 11/1993 Paul  
D366,065 S 1/1996 Lockard  
5,735,562 A 4/1998 Borg  
D517,355 S \* 3/2006 Strong ..... D6/709.21  
D527,930 S \* 9/2006 Aslle ..... D6/708  
D529,734 S \* 10/2006 Astle ..... D6/709.21  
D560,085 S \* 1/2008 Glass ..... D6/656.17  
7,823,943 B2 11/2010 Borg  
D644,046 S \* 8/2011 Cronk ..... D6/656.17  
D677,505 S 3/2013 Walton  
D692,960 S 11/2013 Robins et al.  
D696,543 S \* 12/2013 Shyu ..... D6/709.21

(Continued)

**OTHER PUBLICATIONS**

U.S. Appl. No. 29/630,492, dated Jan. 8, 2019, Office Action.  
(Continued)

*Primary Examiner* — Mary Ann Calabrese  
*Assistant Examiner* — Catherine Ho  
(74) *Attorney, Agent, or Firm* — Workman Nydegger

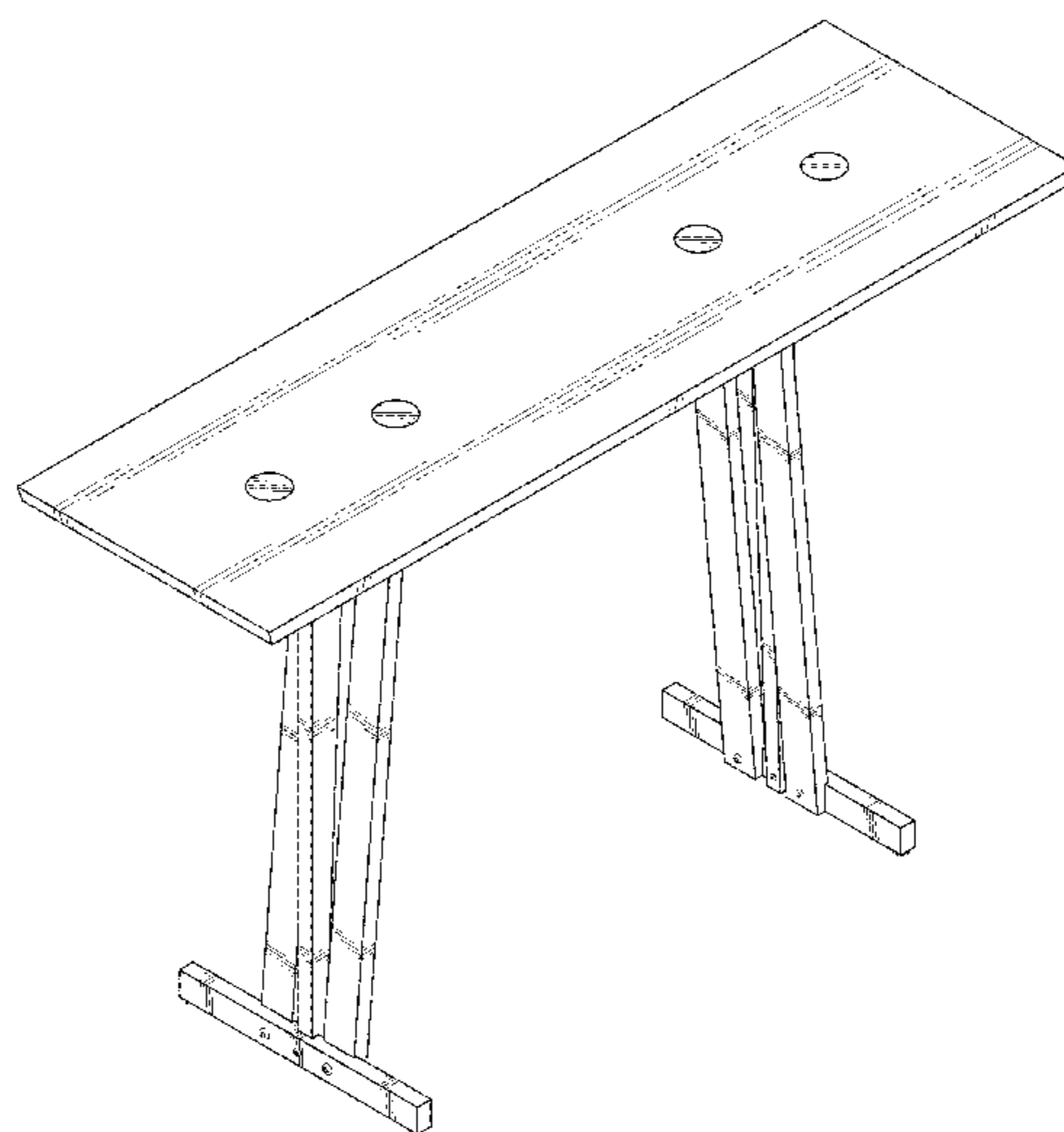
(57) **CLAIM**

The ornamental design for a modular table, as shown and described.

**DESCRIPTION**

FIG. 1 is a perspective view of a modular table showing the new design;  
FIG. 2 is a bottom perspective view thereof;  
FIG. 3 is a top view thereof;  
FIG. 4 is a bottom view thereof;  
FIG. 5 is an end view thereof, the opposing end view being a mirror image thereof; and,  
FIG. 6 is a side view thereof, the opposing side view being a mirror image thereof.  
The broken line portion of the figure drawings is included to show portions of the article that form no part of the claimed design.

**1 Claim, 6 Drawing Sheets**



(56)

**References Cited**

U.S. PATENT DOCUMENTS

8,720,129	B2	5/2014	Sias et al.	
9,095,209	B2	8/2015	Mirth et al.	
D760,066	S	6/2016	Krenek	
D815,867	S *	4/2018	Herring .....	D6/709
D833,262	S	11/2018	Royak	
D841,379	S *	2/2019	Jacoby .....	D6/691.7
2002/0148394	A1 *	10/2002	Strong .....	A47B 9/14 108/147.21

OTHER PUBLICATIONS

Book ends, publicly available, on information and belief, at least as early as Dec. 19, 2017 (5 pages, 18 photos).

Coupling system for couch pieces, publicly available, on information and belief, at least as early as Feb. 2017 (3 pages, 11 photos).

Wayfair Tables, publicly available and on sale, at least as early as Dec. 11, 2017 (2 pages).

Wikipedia article entitled "Lazy Susan" dated Dec. 15, 2017 (4 page).

U.S. Appl. No. 29/630,493, dated Mar. 29, 2019, Office Action.

\* cited by examiner

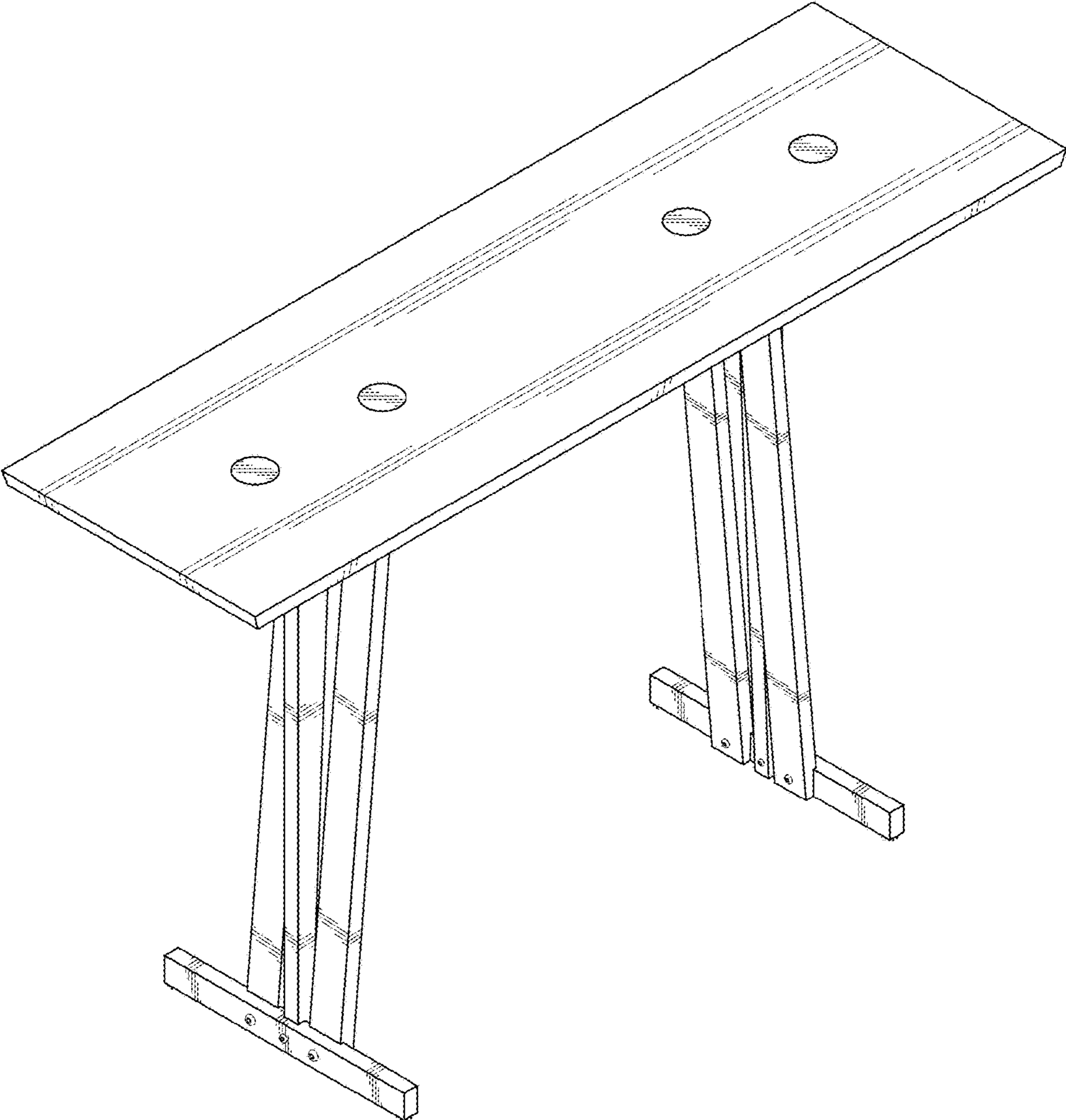


FIG. 1

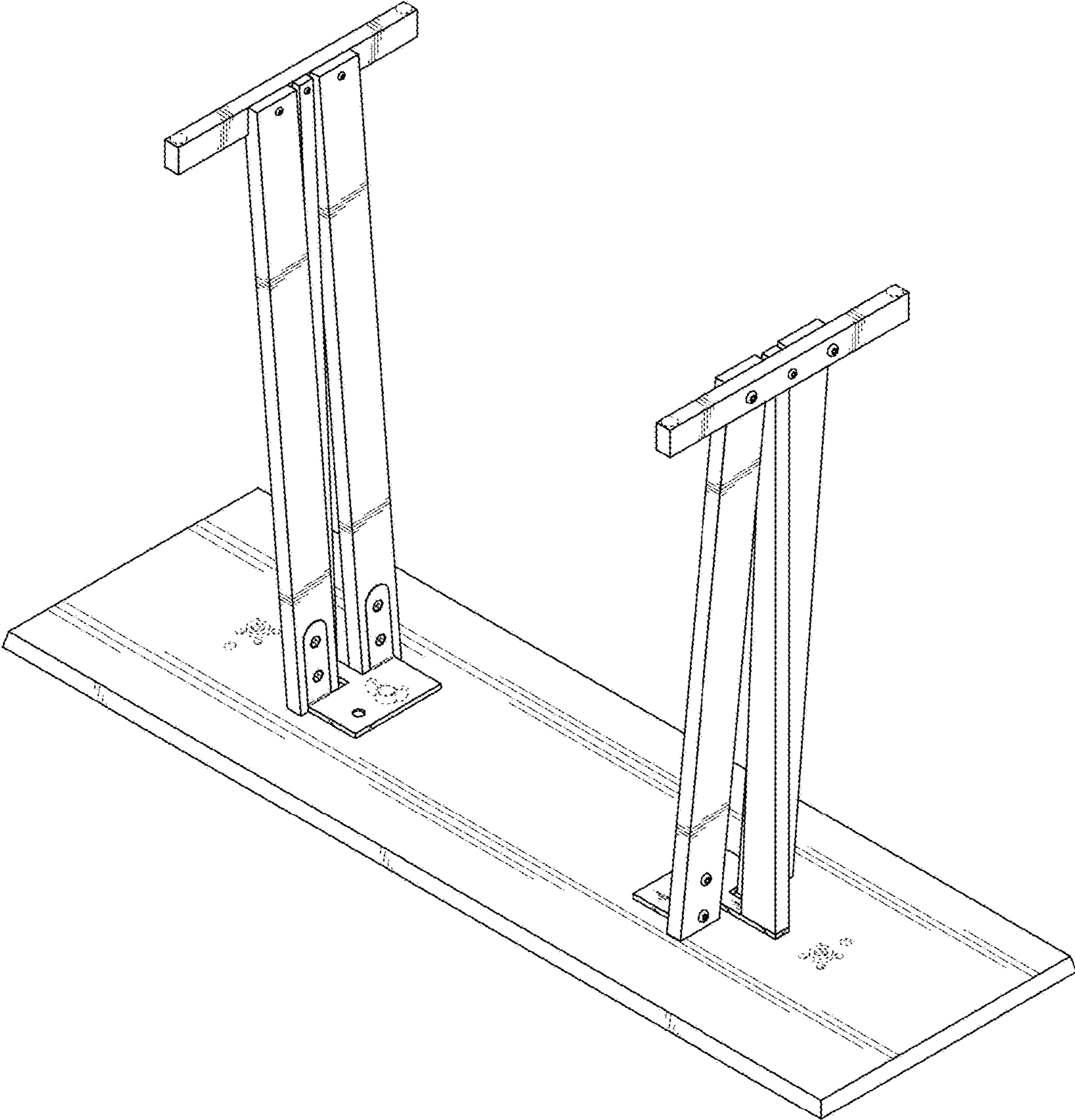
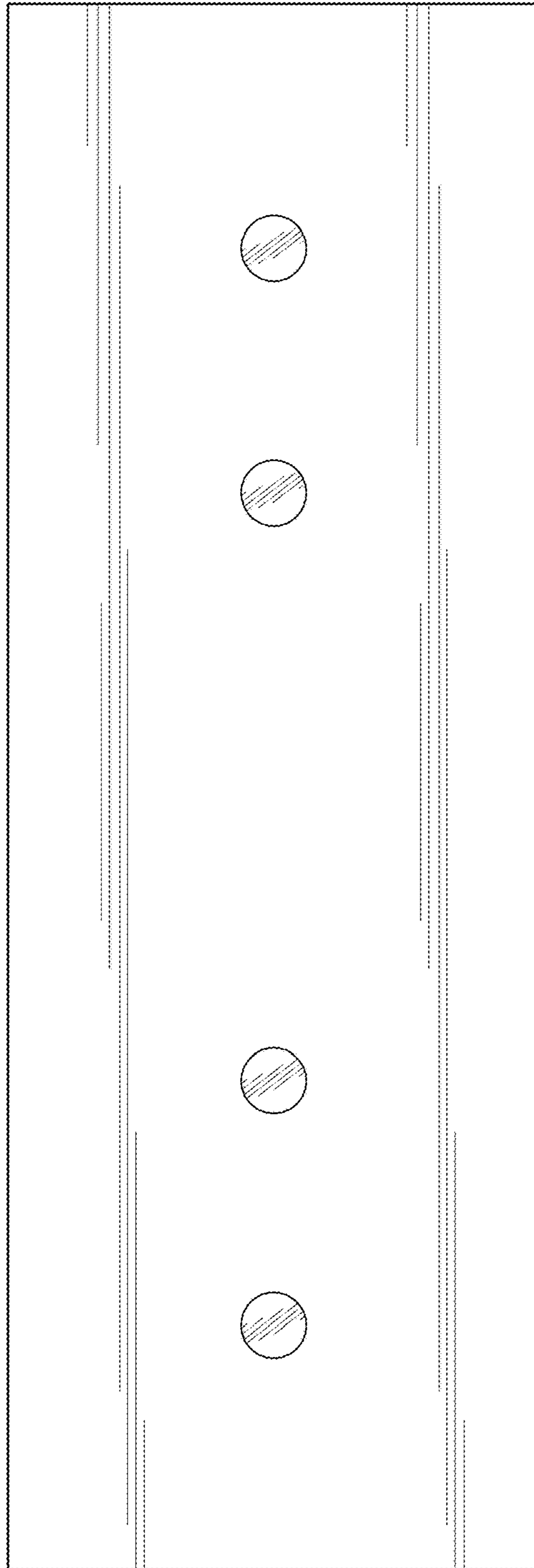


FIG. 2



**FIG. 3**



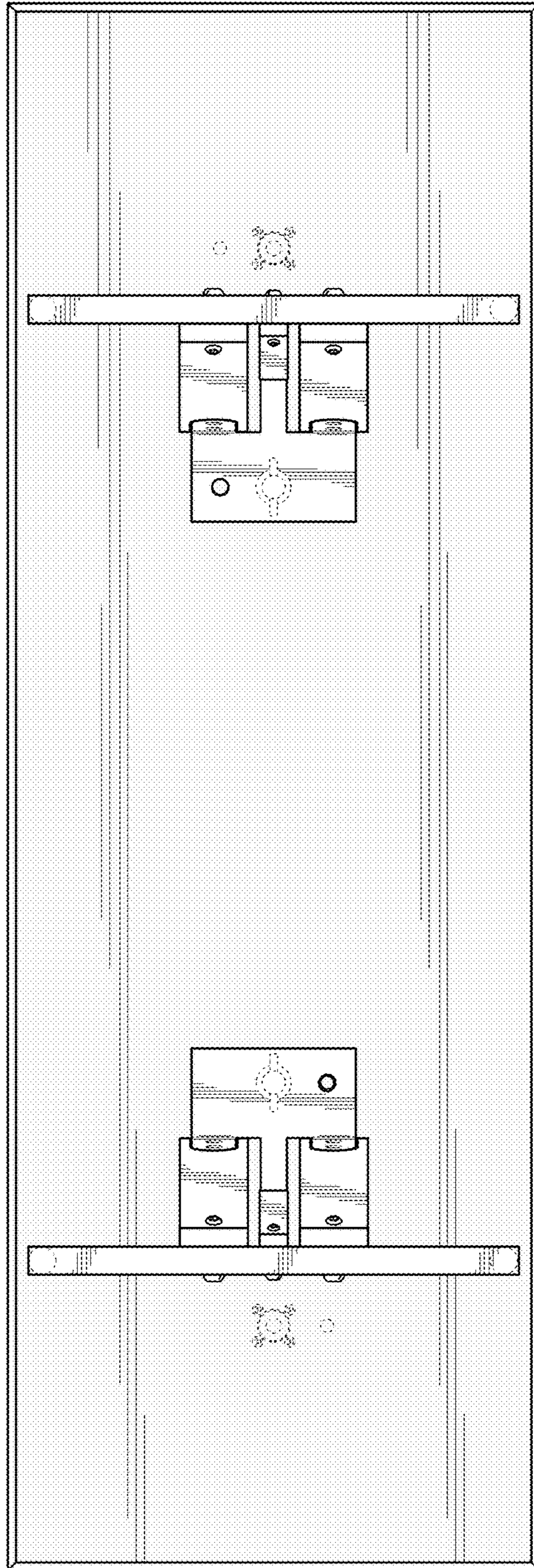
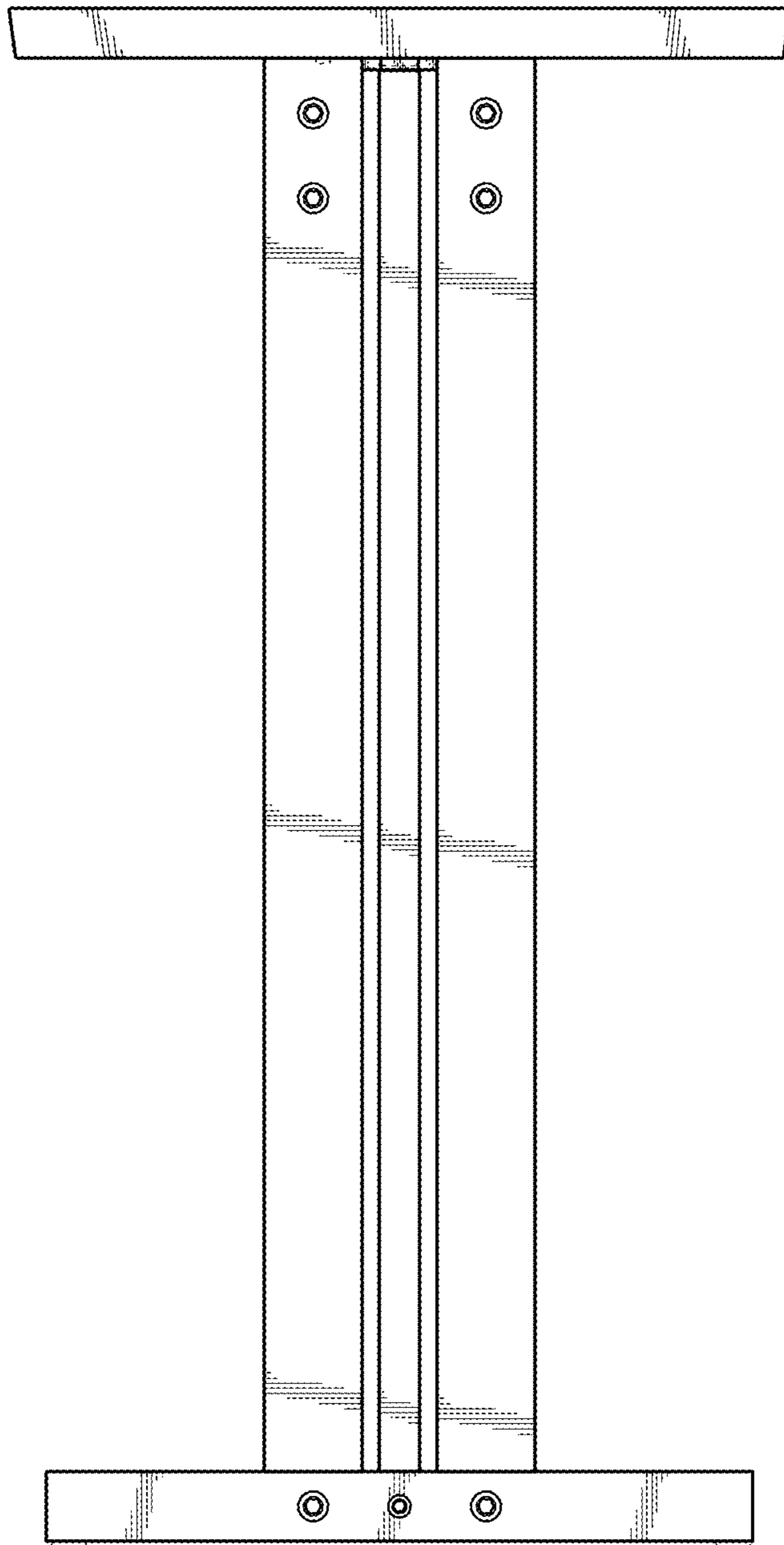


FIG. 4



**FIG. 5**

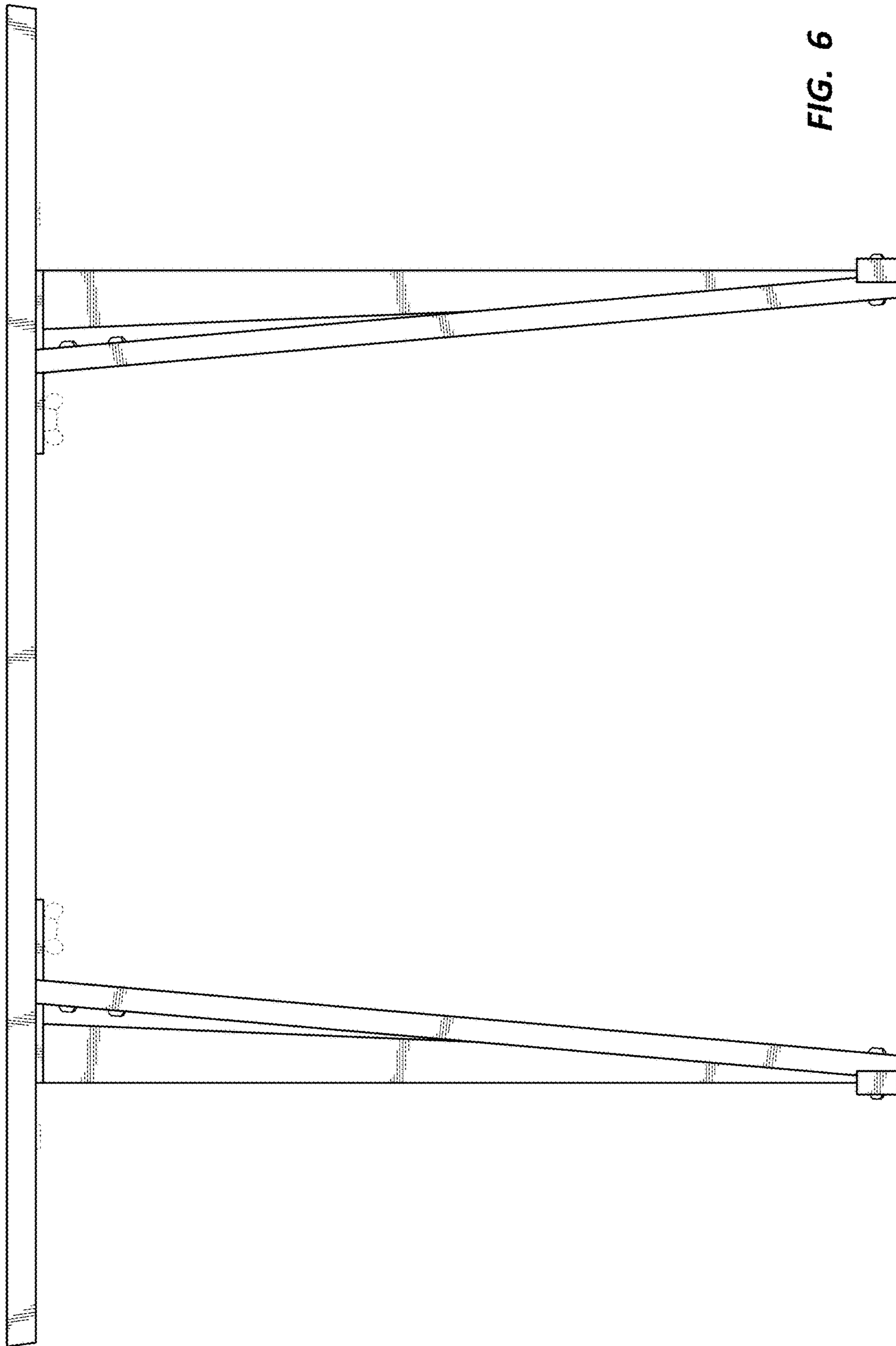


FIG. 6